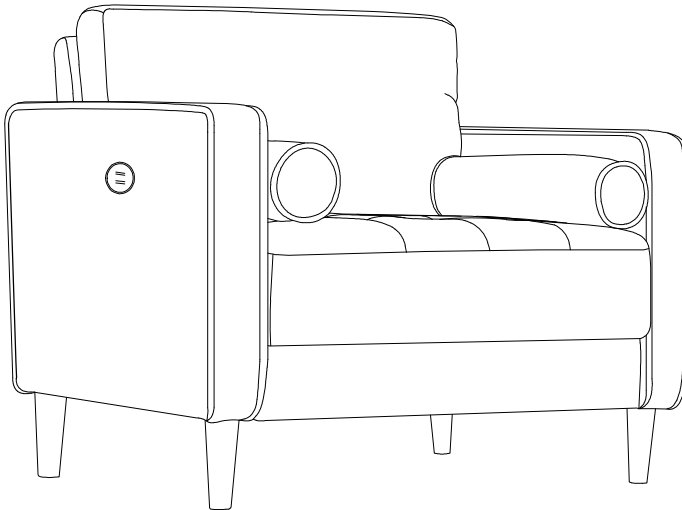


# ASSEMBLY INSTRUCTIONS

## TOOLS REQUIRED

No tool required for assembly



2 - People  
Recommended

## ASSEMBLY RATING



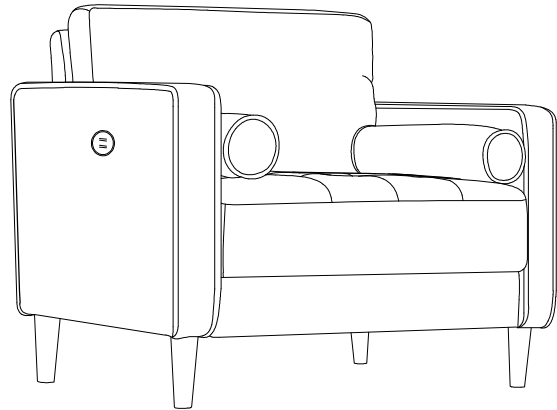
EASY —————> DIFFICULT

The Assembly Rating is a 5-point system showing the level of effort needed to assemble a specific product.

# CHAIR

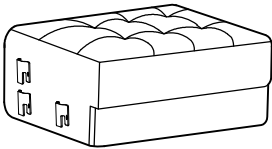


- Please keep instructions for future reference.
- Check the quantity and irregularity of parts and hardware before you start.



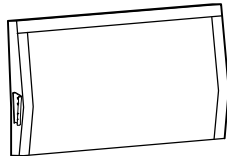
## PARTS

#1 1pc



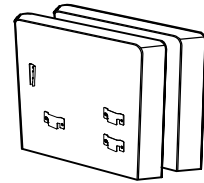
Seat Body

#2 1pc



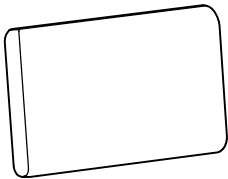
Backrest

#3 2pcs



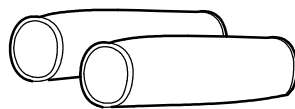
Arm(L/R)

#4 1pc



Back Cushion

#5 2pcs



Pillow

#6 4pcs



Leg

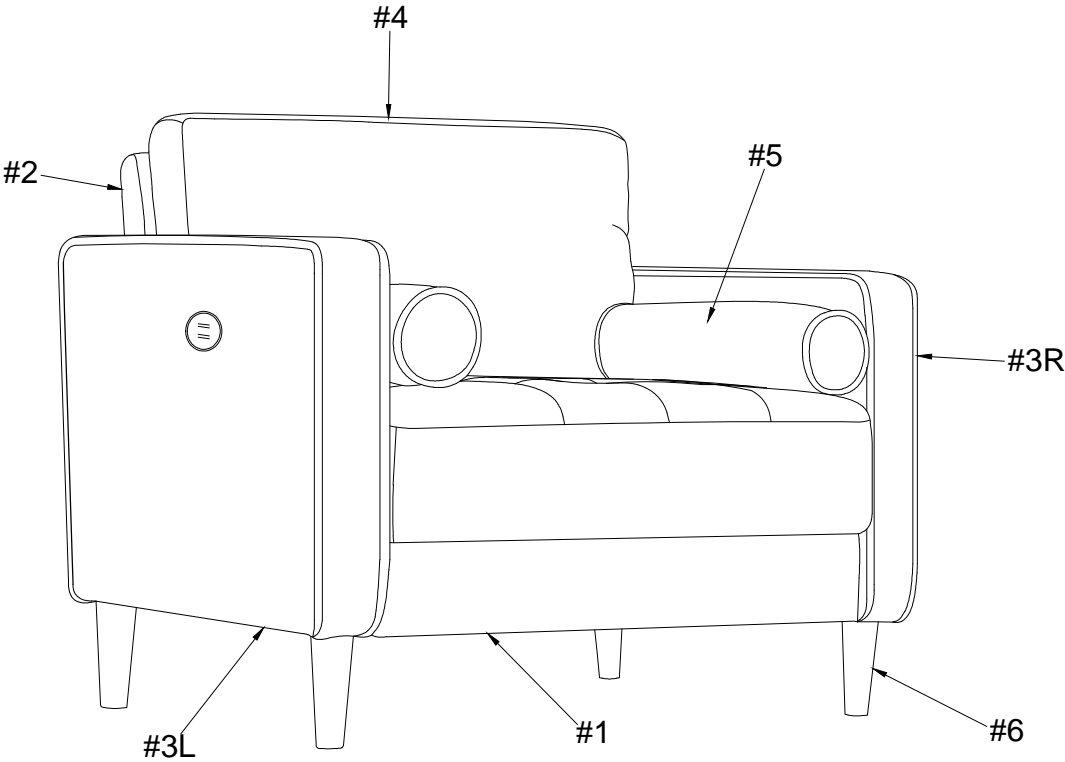
## HARDWARE

#A 4pcs



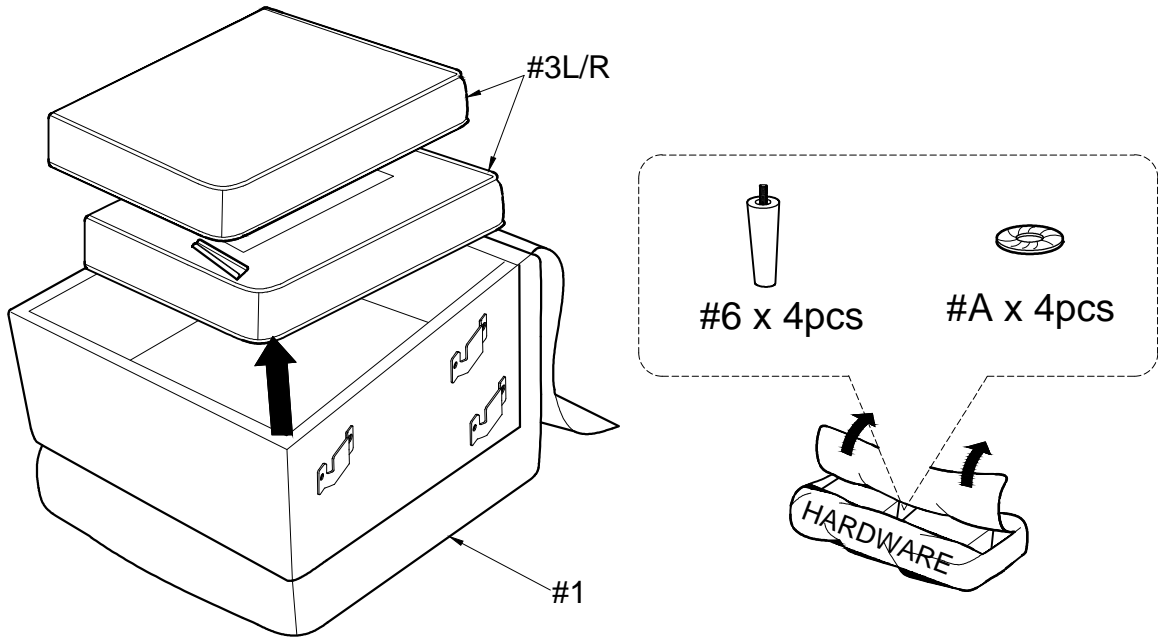
Plastic

# Exploded View



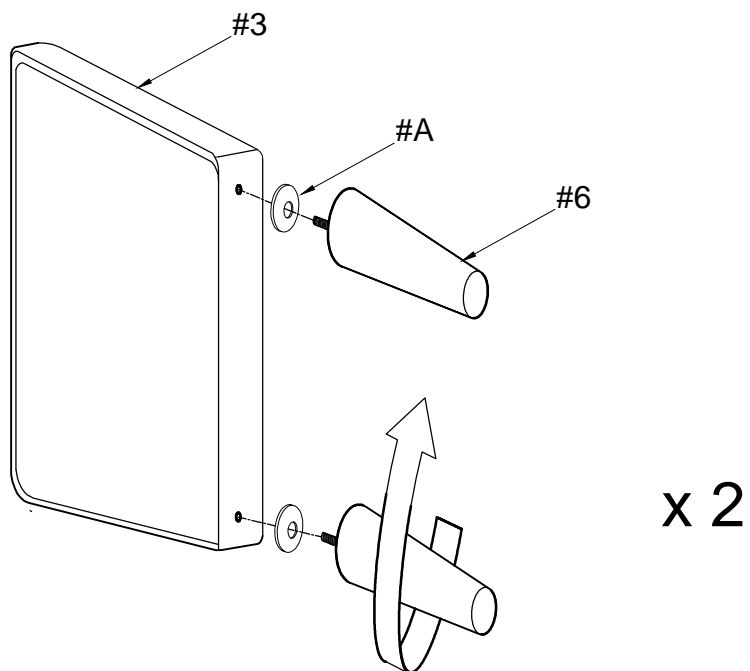
# ASSEMBLY INSTRUCTIONS

1



2

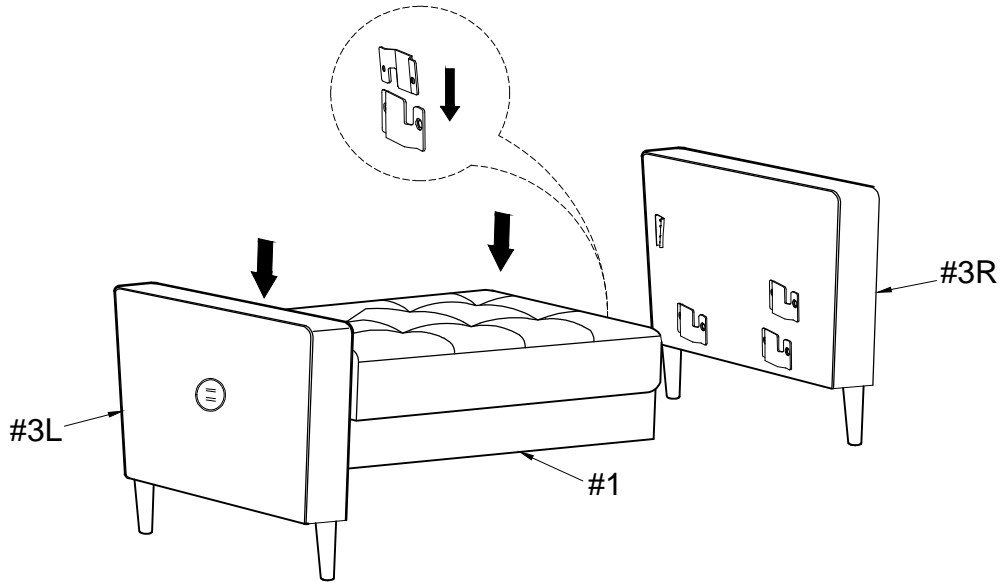
- Part #3 x2pcs
- Part #6 x4pcs
- Hardware #A x4pcs



# ASSEMBLY INSTRUCTIONS

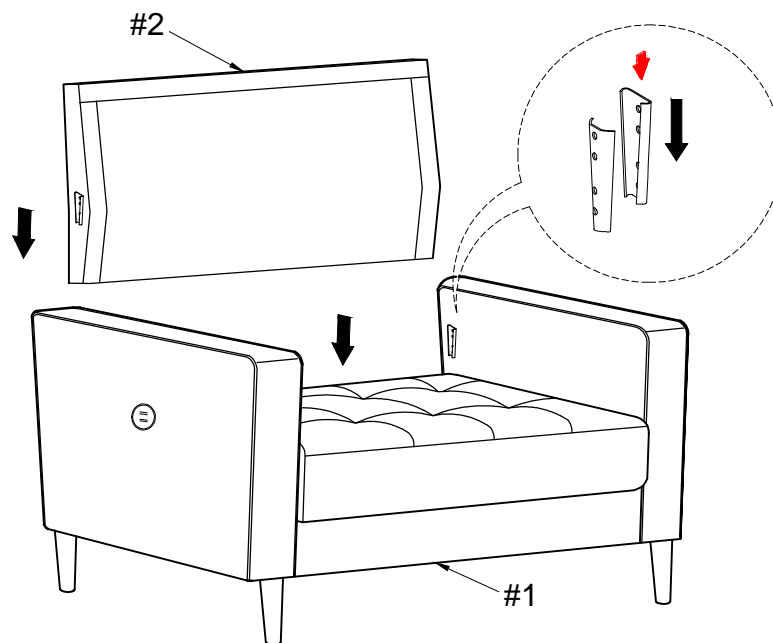
## 3

Part #1 x1pc



## 4

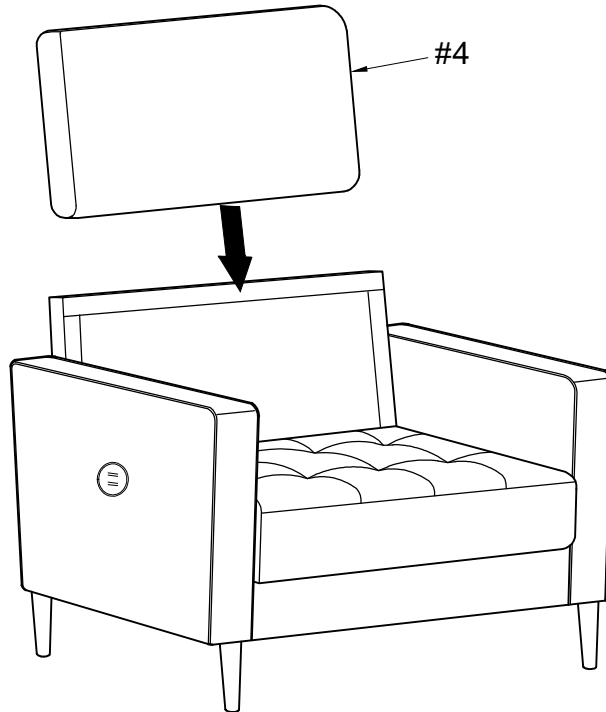
Part #2 x1pc



# ASSEMBLY INSTRUCTIONS

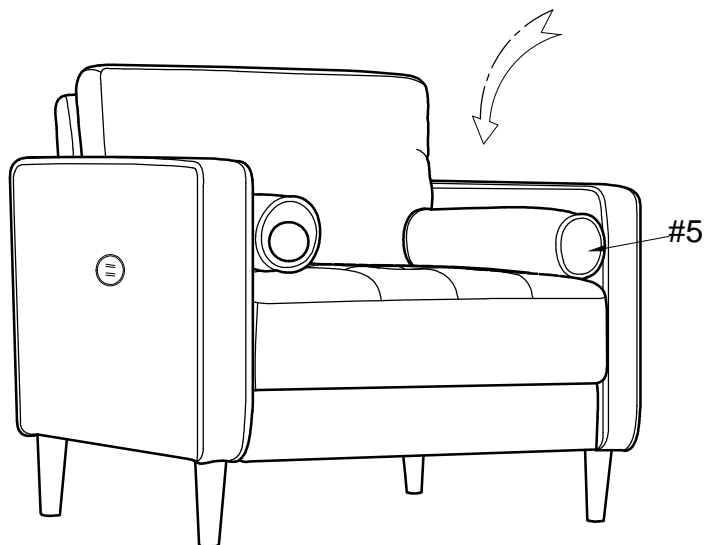
5

Part #4 x1pc



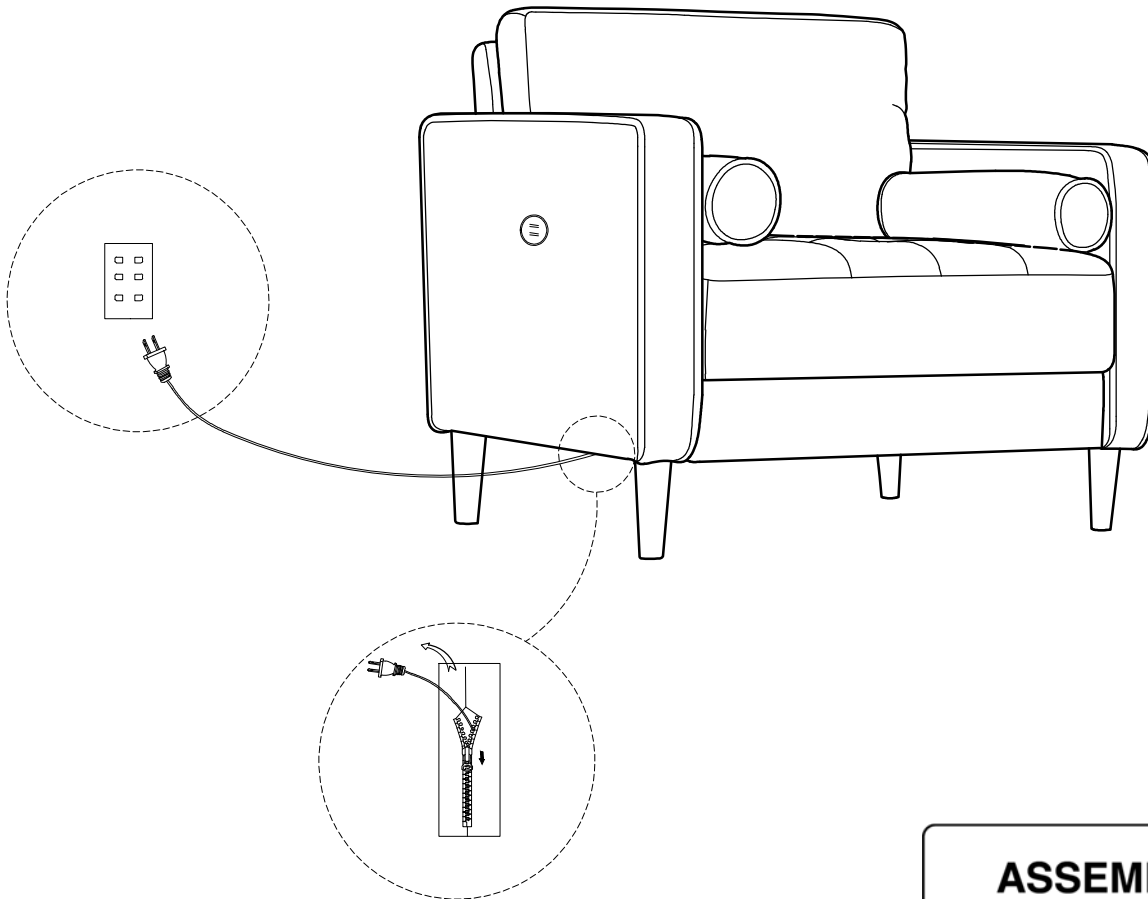
6

Part #5 x2pcs



# ASSEMBLY INSTRUCTIONS

7



## ASSEMBLY COMPLETED



Please ensure the furniture rests on an even and flat surface. If the product wobbles or feels loose, double-check all bolts and/or screws are properly tightened and secured.

### ✓ Keep this handy!

Please retain this instruction manual and any order-related information for future reference.

### ✓ Lift, don't drag!

To avoid damage to product please always LIFT the product when transporting or adjusting the placement.