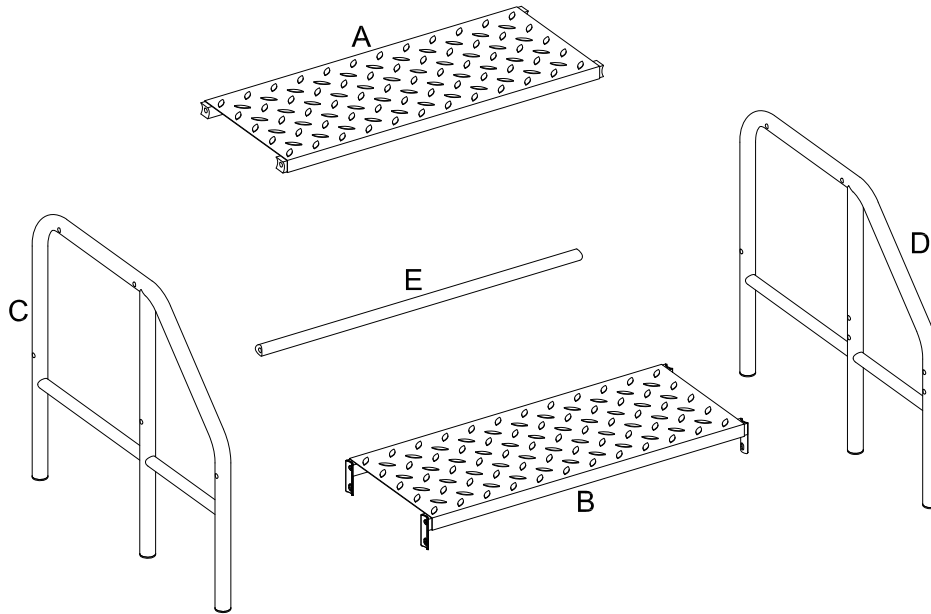
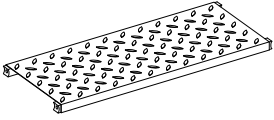
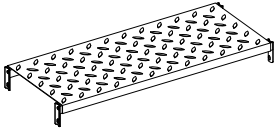
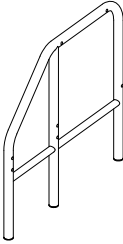
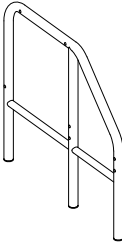

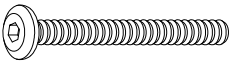






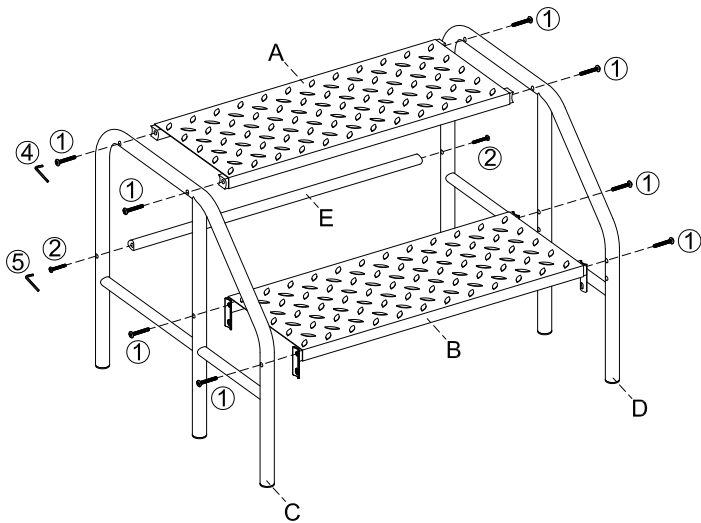
# Assembly Instructions





Heavy Duty Metal Step Ladder with 2 Steps in Industrial Yellow  
DO NOT FULLY TIGHTEN THE BOLTS UNTIL ALL PIECES ARE ASSEMBLED



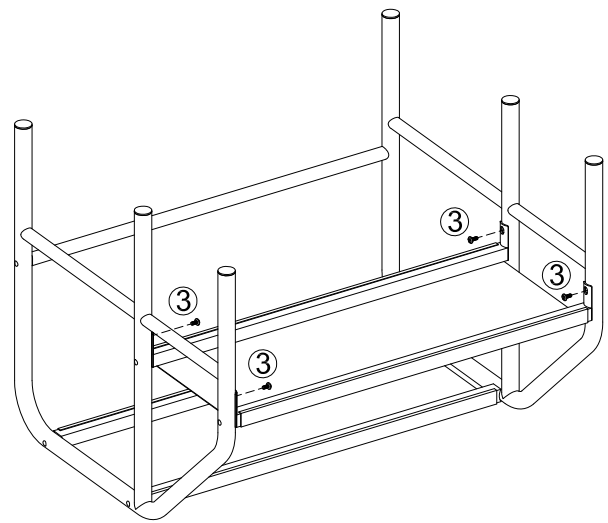
BOTTOM STEP	TOP STEP	LEFT FRAME	RIGHT FRAME	METAL BRACE
 <p>A x 1PC</p>	 <p>B x 1PC</p>	 <p>C x 1PC</p>	 <p>D x 1PC</p>	 <p>E x 1PC</p>
<p>5/16" x 55mm BOLT</p>  <p>① 8+1 SPARE</p>	<p>1/4" x 40mm BOLT</p>  <p>② 2+1 SPARE</p>	<p>1/4" x 16mm BOLT</p>  <p>③ 4+1 SPARE</p>	<p>5mm BOLT</p>  <p>④ 1 PC</p>	<p>4mm WRENCH</p>  <p>⑤ 1 PC</p>



## STEP 1



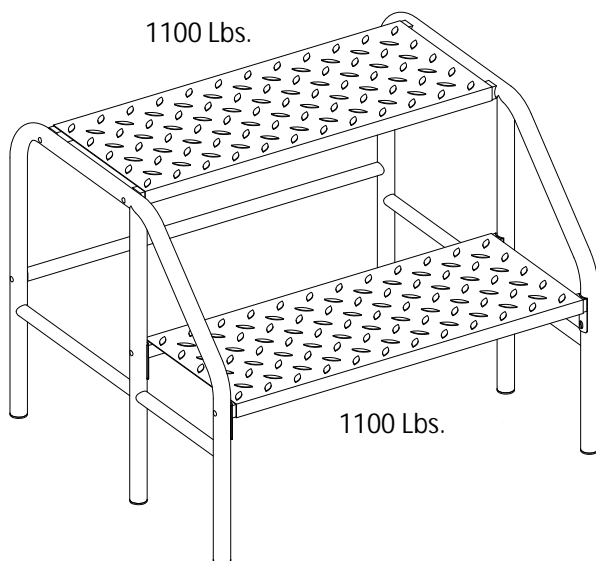
			
① x 8PCS	② x 2PCS	④ x 1PC	⑤ x 1PC

## STEP 2



	
③ x 4PCS	⑤ x 1PC

## STEP 3



### IMPORTANT NOTE:

...PLACE ALL PARTS ON A CLEAN AND SMOOTH SURFACE SUCH AS A RUG OR CARPET TO AVOID SCRATCHING THE PARTS.

...DO NOT FULLY TIGHTEN THE BOLTS UNTIL ALL PIECES ARE ASSEMBLED.

...USE OF POWER TOOLS IS NOT RECOMMENDED.

...USE A SOFT, CLEAN CLOTH THAT WILL NOT SCRATCH WHEN DUSTING.

### WARNING: MAXIMUM WEIGHT CAPACITY

THIS UNIT HAS BEEN DESIGNED TO SUPPORT THE MAXIMUM LOADS AS SHOWN. EXCEEDING THESE LOAD LIMITS COULD CAUSE SAGGING, INSTABILITY, PRODUCT COLLAPSE, AND/OR SERIOUS INJURY.