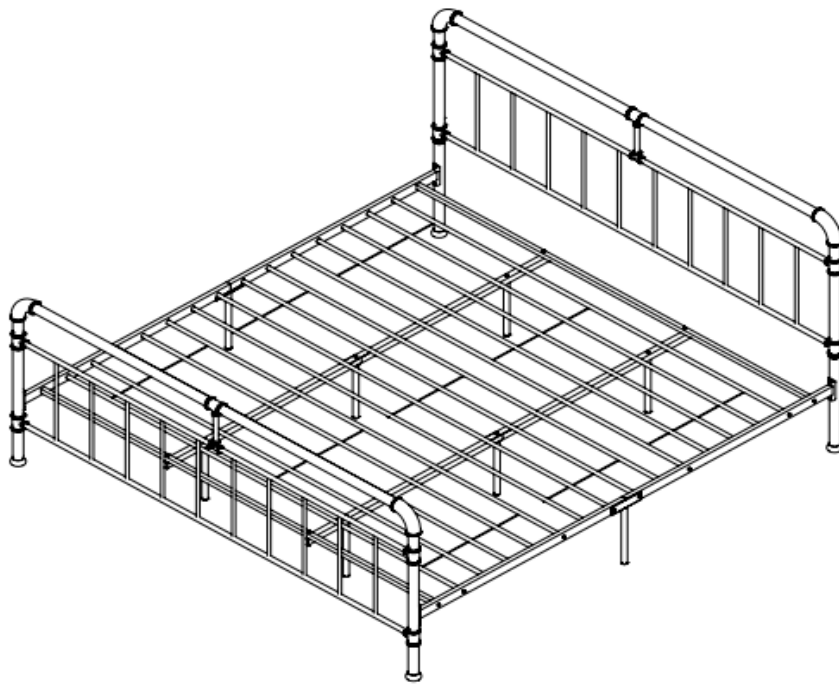


Assembly Instructions

Caution : You must read this before you proceed

BED



WARNING
STRANGULATION HAZARD.

NEVER place bed near windows where cords from blinds or drapes may strangle a child.

NEVER suspend strings over bed.

NEVER place items with a string, cord, or ribbon, such as hood strings or pacifier cords, around a child's neck. These items may catch on bed parts.

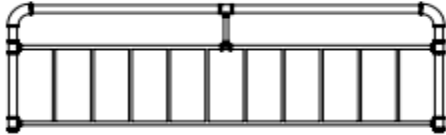

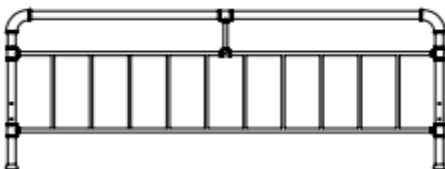
ALWAYS follow assembly instructions.

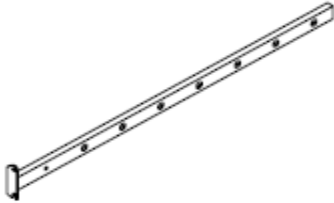
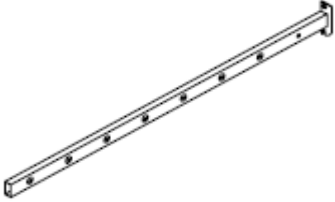

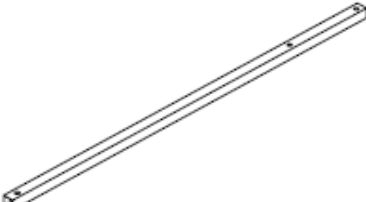
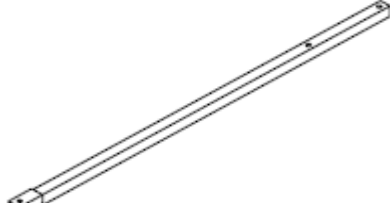

WARNING!

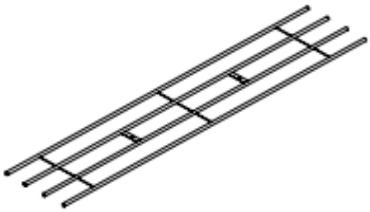
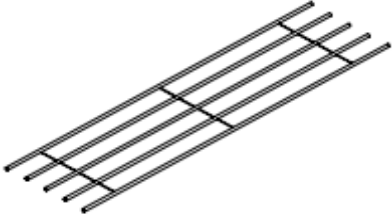

Not intended for children under the age of six. **INFANTS HAVE DIED FROM BECOMING ENTRAPPED IN BEDS.** Openings in and between bed parts can entrap the neck and head of a small child. **NEVER** use bed for child under the age of six.

The mattress must be appropriately sized for the bed. If the mattress is undersized, dangerous gaps can exist and a person can become entrapped or entangled in the frame and suffocate.





Parts List

Label	Picture	Description	QTY
A		Headboard	1
B		Headboard Foot	2
C		Footboard	1

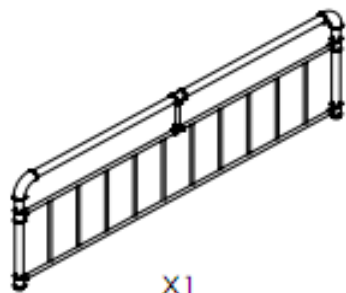
D		Side Rail (Label D)	2
E		Side Rail (Label E)	2
F		Side rail Support Foot	2
G		Support Beam	2
H		Support Beam With U Shape End	2
I		Support Foot for Beam	6

J		Bed Slats for Middle	1
K		Bed Slats for Both Ends	2
L		Cross Slats for Beam	2

Hardware

Label	Picture	Description	QTY
①		Bolt(M6*35mm)	9
②		Bolt(M6*15mm)	33
③		Allen Wrench (6mm)	1
④		Washer (6mm)	9

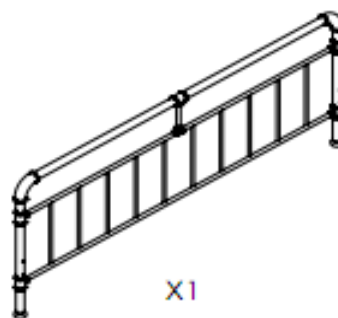
Assembly Preparation



X1



X2



X1



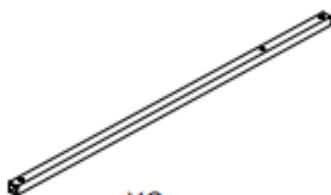
X2



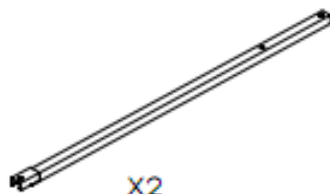
X2



X2



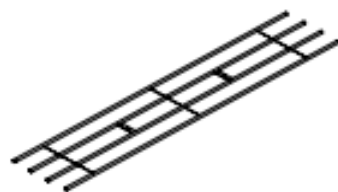
X2



X2



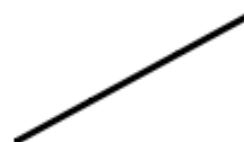
X6



X1



X2



X2



- Read instructions, cover to cover-



- Have 2 adults on hand for assembly-



- Do not assemble on flooring or carpet-



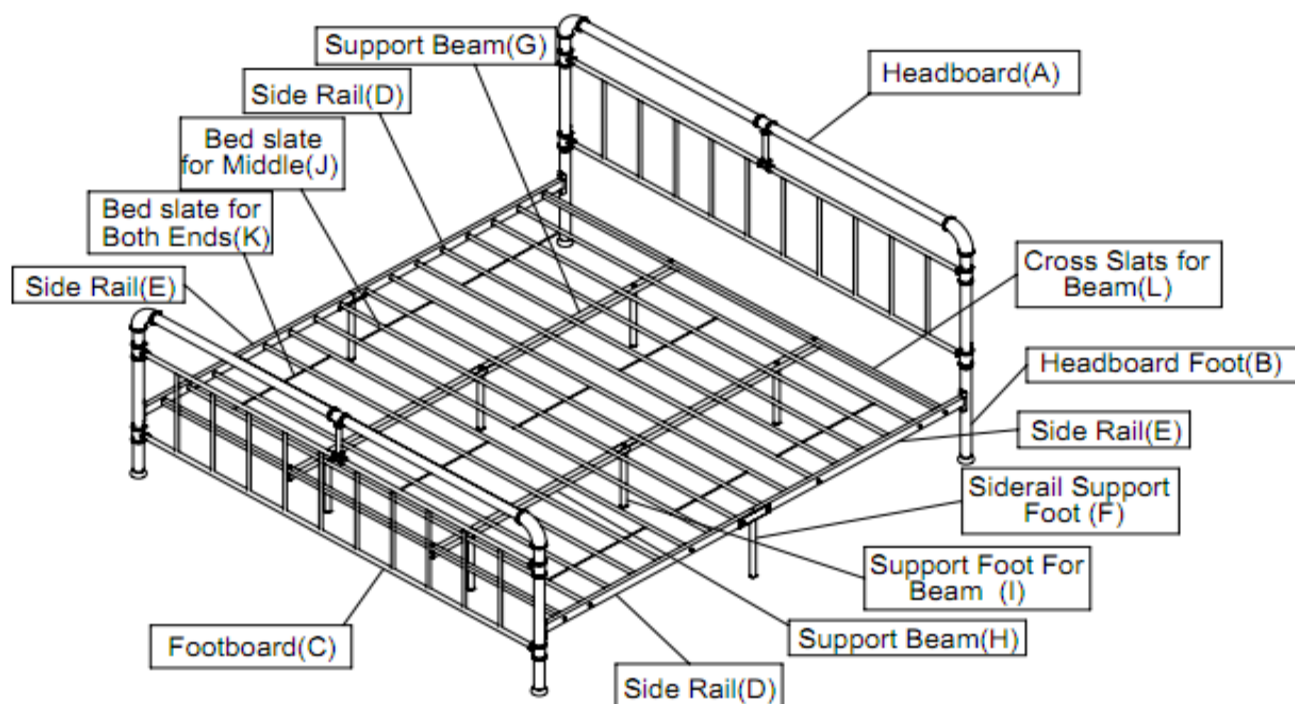
- Assemble on a clean non-marring surface (packing foam)-



- Save all packaging until finished-

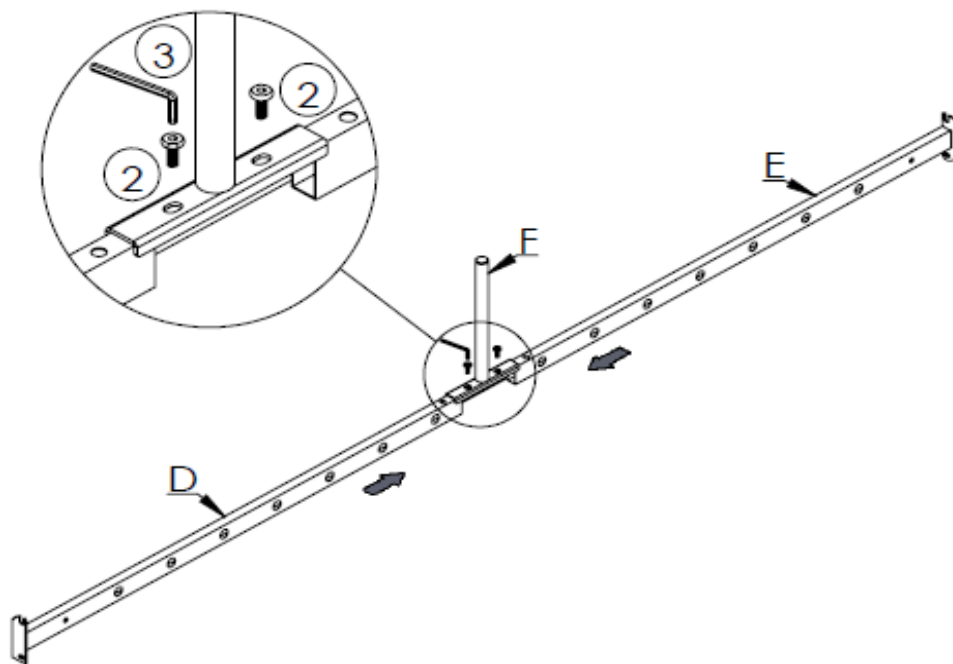
Assembly Steps

Overview



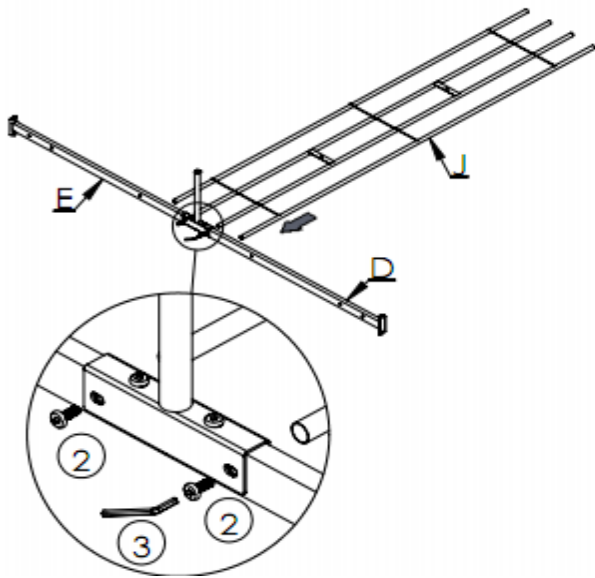
This bed has multiple parts and may require up to some 30 minutes to assemble. To give you an overview of the bed parts, the above picture is to help you put the various parts into perspective. Please read through the instructions herebelow to familiarise the parts and steps before assembly.

Step 1

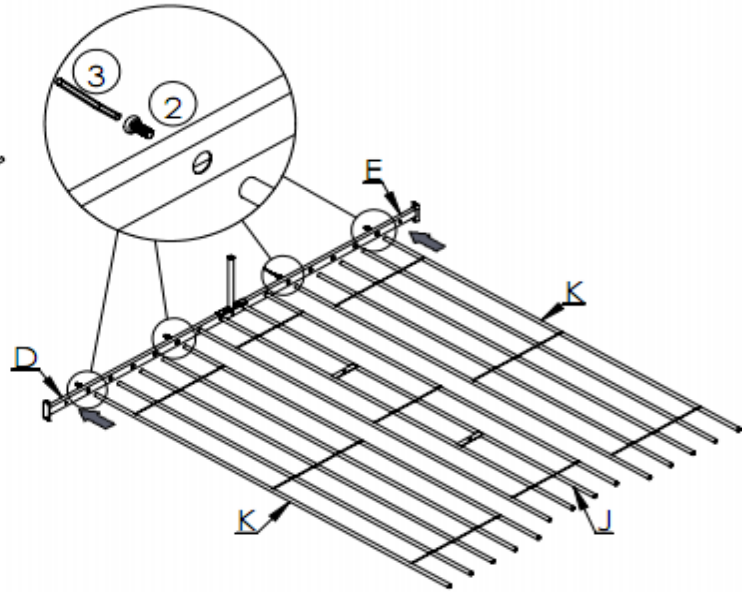


REMOVE all bed parts from packaging and lay on a soft, flat surface.
Place Side Rail(D) and Side Rail(E) through Side rail Support Foot(F), Using bolt(2)
with Allen Wrench(3)
Make sure the mounting positions of side rail(D) and side rail(E) are in the same
direction.

Step:2.1



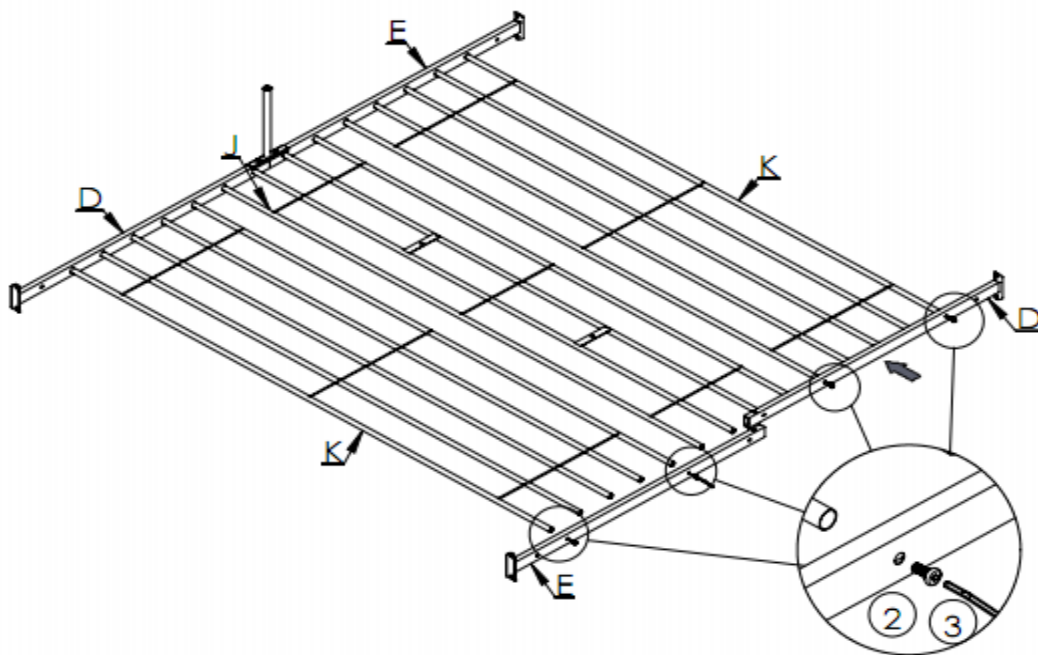
Step:2.2



2.1) Insert Bed Slats for Middle(J) into the mounting positions of Side Rail (D) and Side Rail (E),Using bolt (②)with Allen Wrench(③).

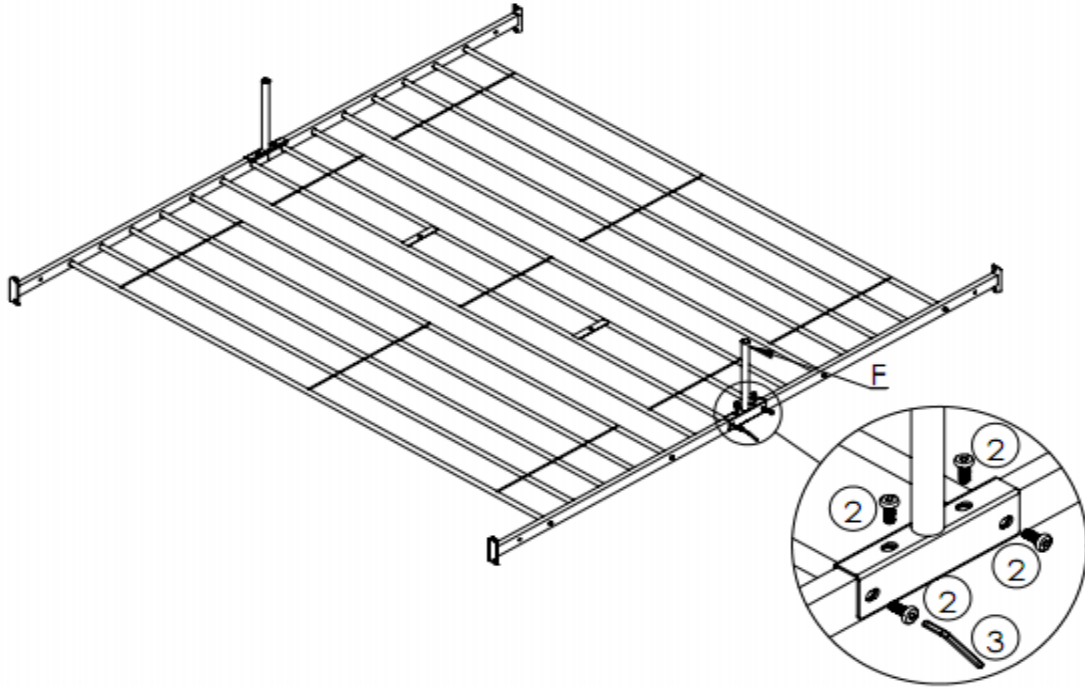
2.2) Insert Bed Slats for both Ends (K) into the mounting positions of Side Rail(D) and Side Rail (E),Using bolt (②) with Allen Wrench(③).

Step:3



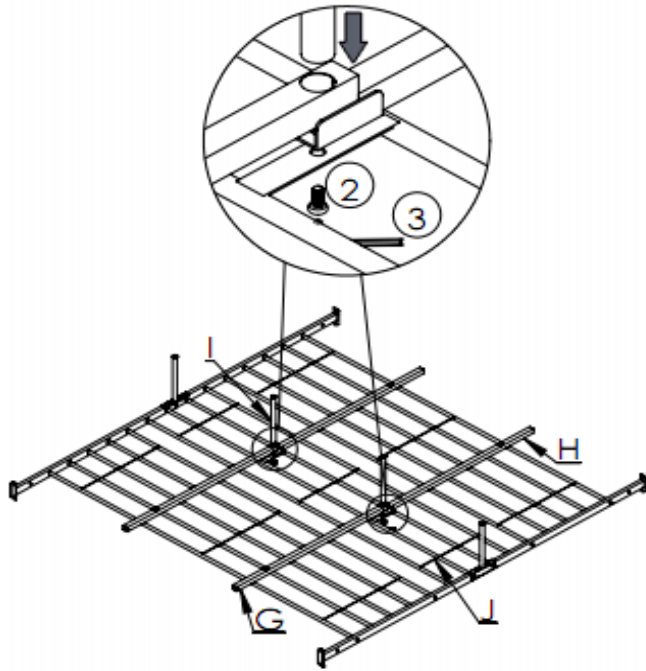
Attach Side Rail(D) to the other side of Bed slats for both Ends (K) and Bed slats for Middle(J),and using bolt(②) with Allen Wrench(③)
And repeat this step with Side Rail(E)

Step 4

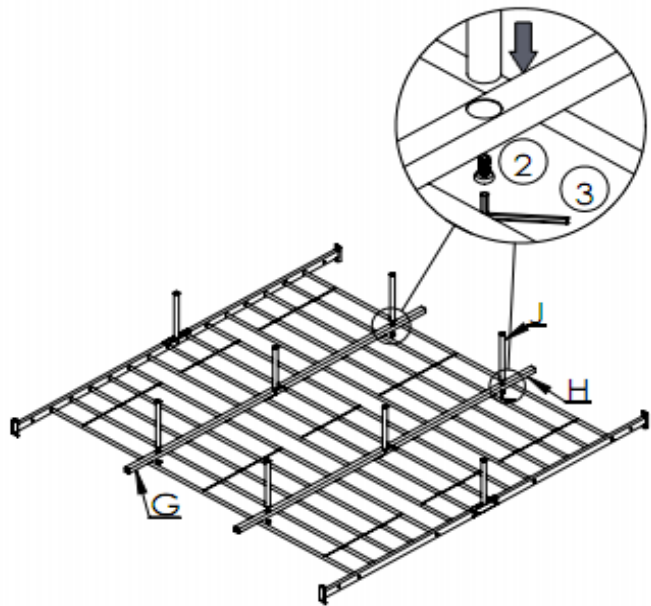


Attach Siderail Support Foot(F) onto Side Rail(D) and Side Rail(E), using bolt(②) with Allen Wrench(③)

Step:5.1



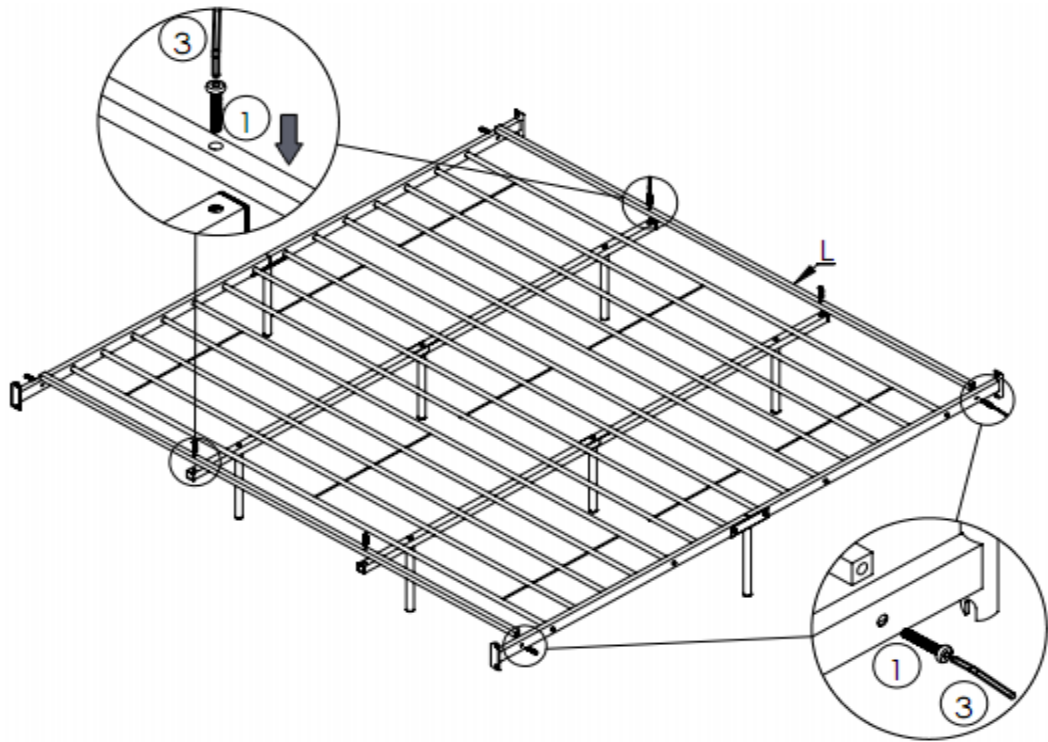
Step:5.2



5.1) Attach support Beam With U Shape End (H), Support Beam (G) and Support Foot For Beam(I) on Bed slats for Middle (J), Using bolt (②) with Allen Wrench(③) through the mounting position of Bed slats for Middle(J).

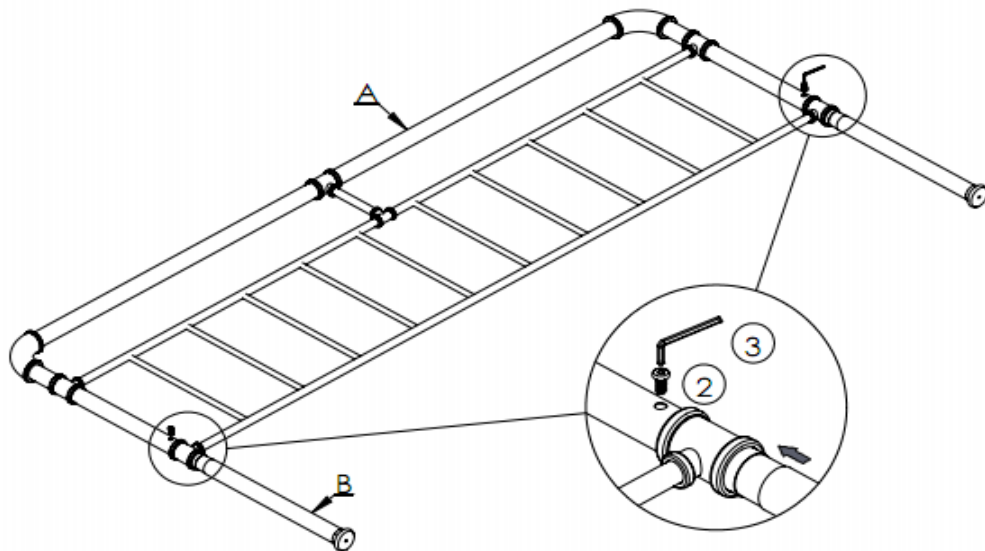
5.2) Attach rest of 2 Support Feet For Beam(I) to Support Beam (G) and Support Beam With U Shape End(H), Using bolt (②) with Allen Wrench(③)

Step 6



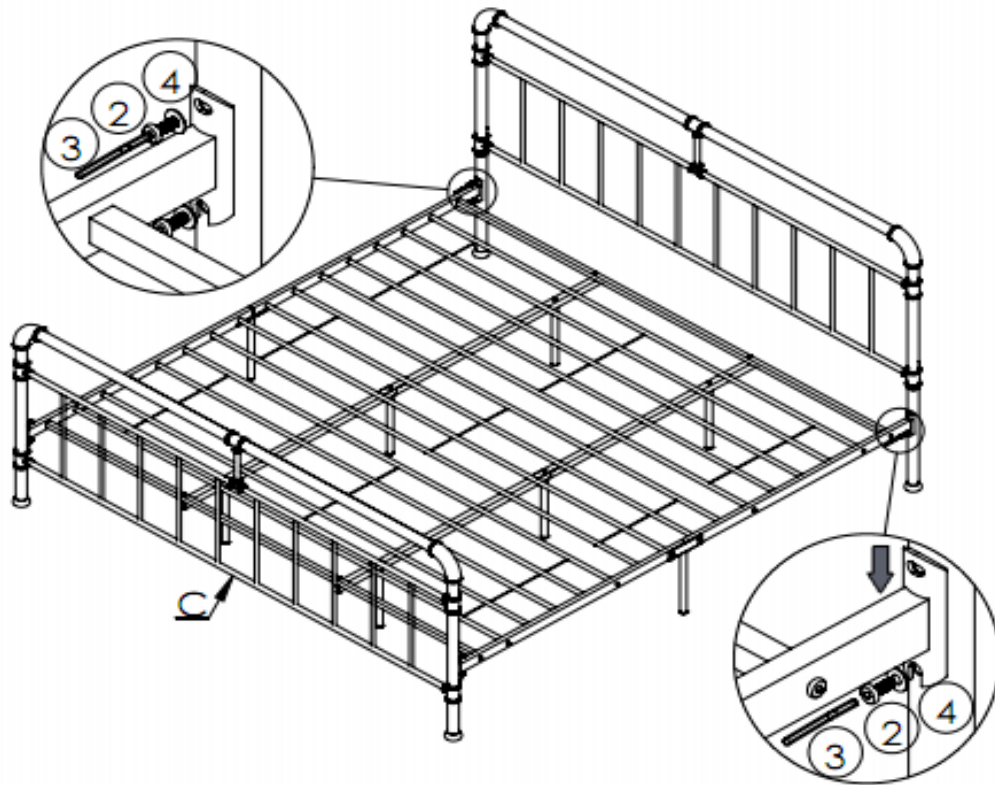
Upside down the whole bed base, and attached 2 Cross slats for Beam(L) to the whole bed base, using bolt(①) with Allen Wrench(③)

Step 7



Insert Headboard Foot(B) into Headboard(A) as shown in above picture, Then using bolt(②) with Allen Wrench(③)

Step 8



Under the assistance of another adult, attached bedbase with Headboard(A) and Footboard(C), Using bolt(②) and washer(4) with Allen Wrench(③)

After all parts are assembled, tighten all bolts firmly

Your Bed is ready for use.

Caution: This Bed can only be used on a flat, level surface.

Care & Maintenance

- ✓  ● Furniture may scratch floors. We recommend using furniture pads to protect your floors.
- ⊘  ● Do not put hot items directly on furniture surface.
- ⊘  ● Do not clean furniture with harsh cleansers or polish.
- ⊘  ● Do not place furniture under direct sunlight.
- ⊘  ● Do not place furniture near heating or cooling vents.
- ⊘  ● Do not write on furniture without a padded barrier to protect the surface.
- ⊘  ● Do not place furniture outside . For indoor use only.
- ⊘  ● Not for commercial use. For residential use only.
- ⊘  ● Stains may be removed with mild soap solution and damp cloth.
- ⊘  ● Children should not climb or jump on the furniture.
- ✓  ● Dust and pick-up spills using a clean, non-colored, lint-free cloth.