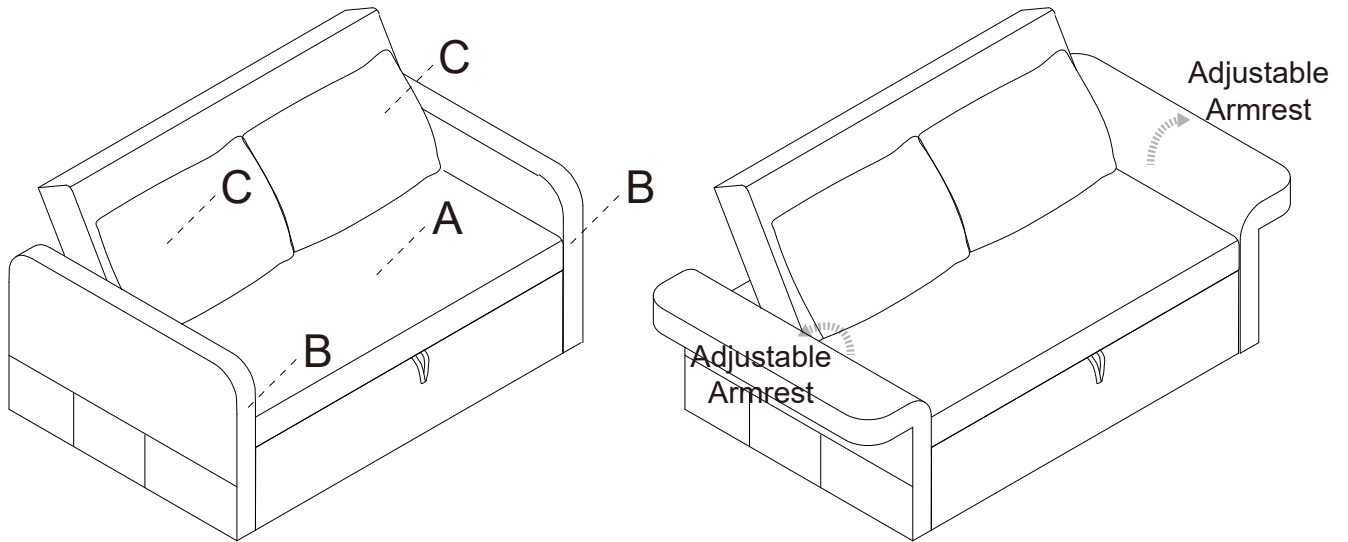


# Assembly Instructions



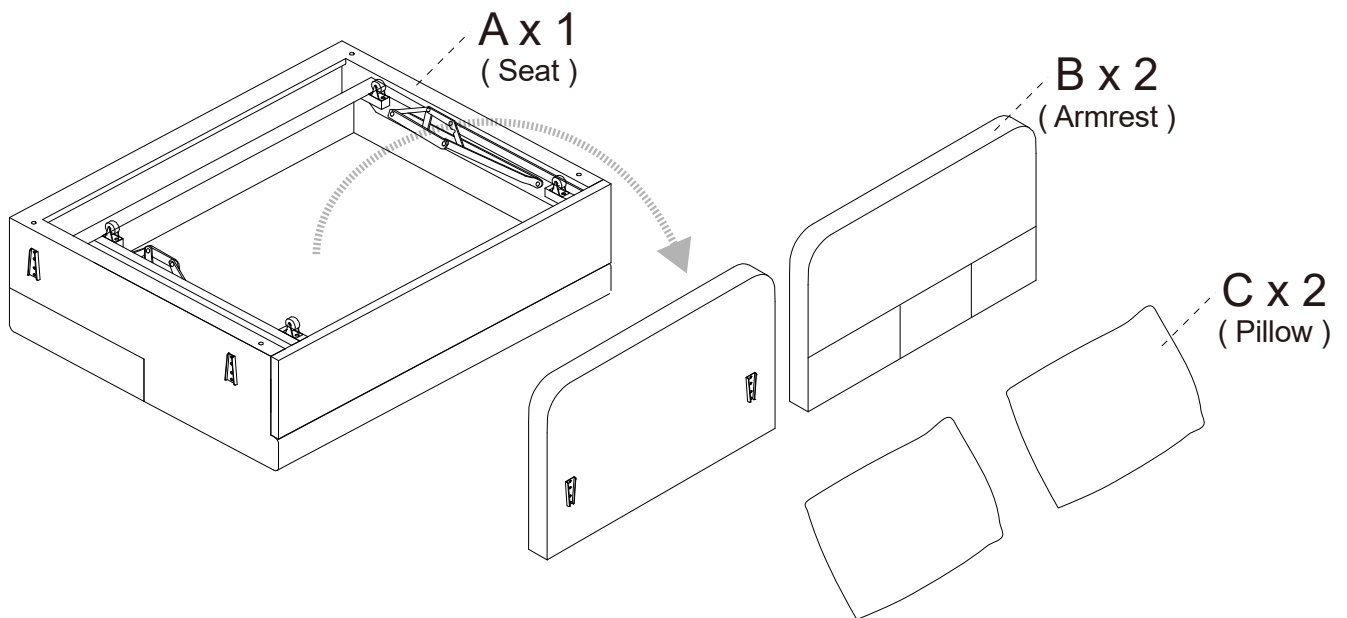
Assemble on the pad to prevent scratching the product.



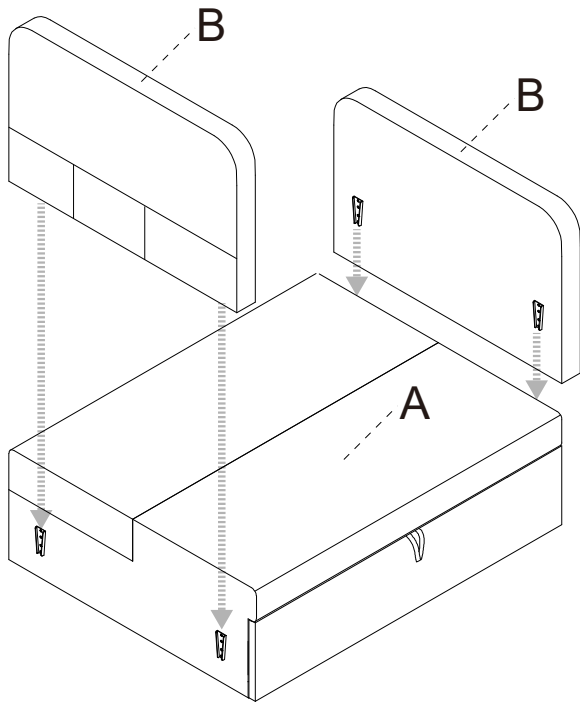
## Parts List

Flip to the bottom of "A", Take out all parts and check QTY.

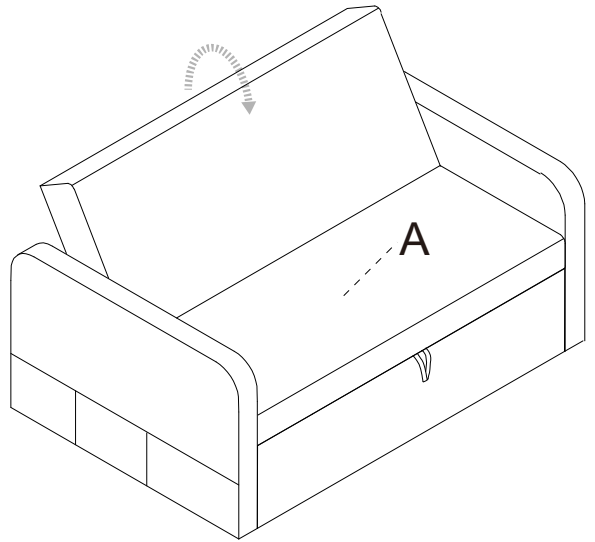
1/1  
carton



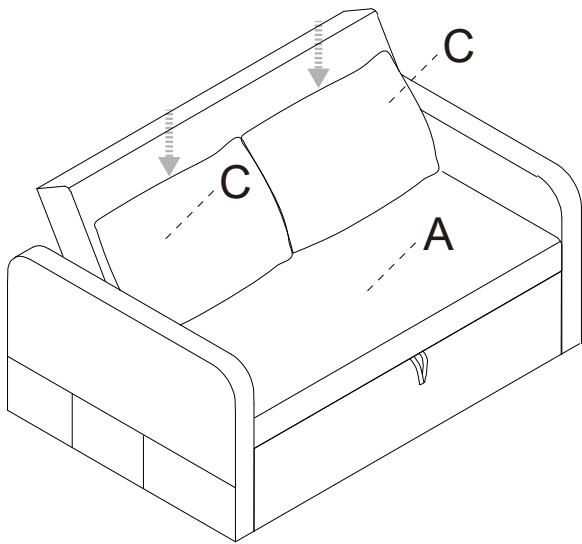
**Step 1**



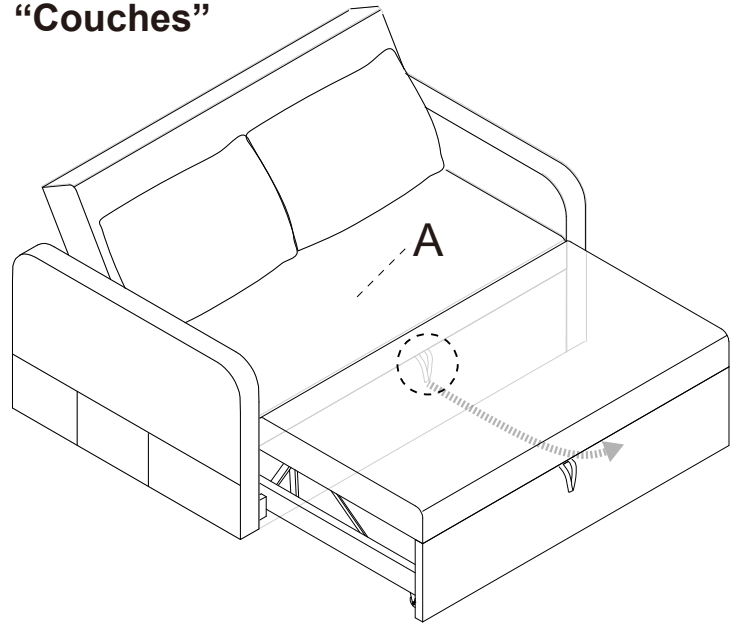
**Step 2**



**Step 3**  
**“Loveseats”**



**Step 4**  
**“Couches”**



**Step 5**  
**“Bed”**

