

Installation Video QR



Installation Video QR



DJ0

<https://vimeo.com/1058057257>

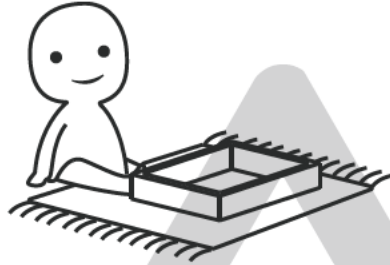
SKU:DJ0752WT-150CM

<https://vimeo.com/1058057257>



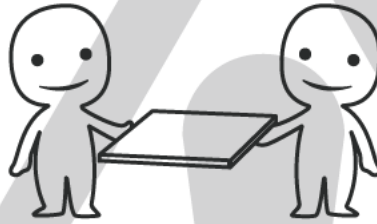
IMPORTANT INFORMATION!

please read the entire manual before starting to assemble and/or using this product. follow the manual thoroughly and keep it for further reference.



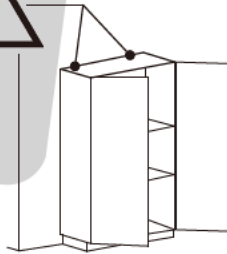
AVOID SCRATCHES!

In order to avoid scratching this furniture should be assembled on a soft layer- could be a rug.



IMPROVE EFFICIENCY !

Try to find a partner to install with you, which can speed up the installation efficiency and shorten the time.



ANTI-TOPPLE WARNING !

Overturned furniture can cause serious or fatal crush injuries. To prevent tipping over, be sure to use the wall attachment, if not included with this product. Please purchase the wall attachment that fit your wall. If unsure, seek professional advice. Please read and follow each step of the instructions carefully.

IMPORTANT !

It is important that any product which is assembled using any kind of screw is re-tightened 2 weeks after assembly, and once every 3 months - in order to assure stability through-out the lifespan of the product.

For regular maintenance and cleaning of the product, for the frame, please use a rag dipped in neutral detergent to fully wipe it, and then dry it with a clean rag. For glass materials, wipe with a rag dampened with water glass cleaner, and then dry with a dry rag.

Do not use an electric screwdriver, and do not use too much force when installing, because the board is easy to break.

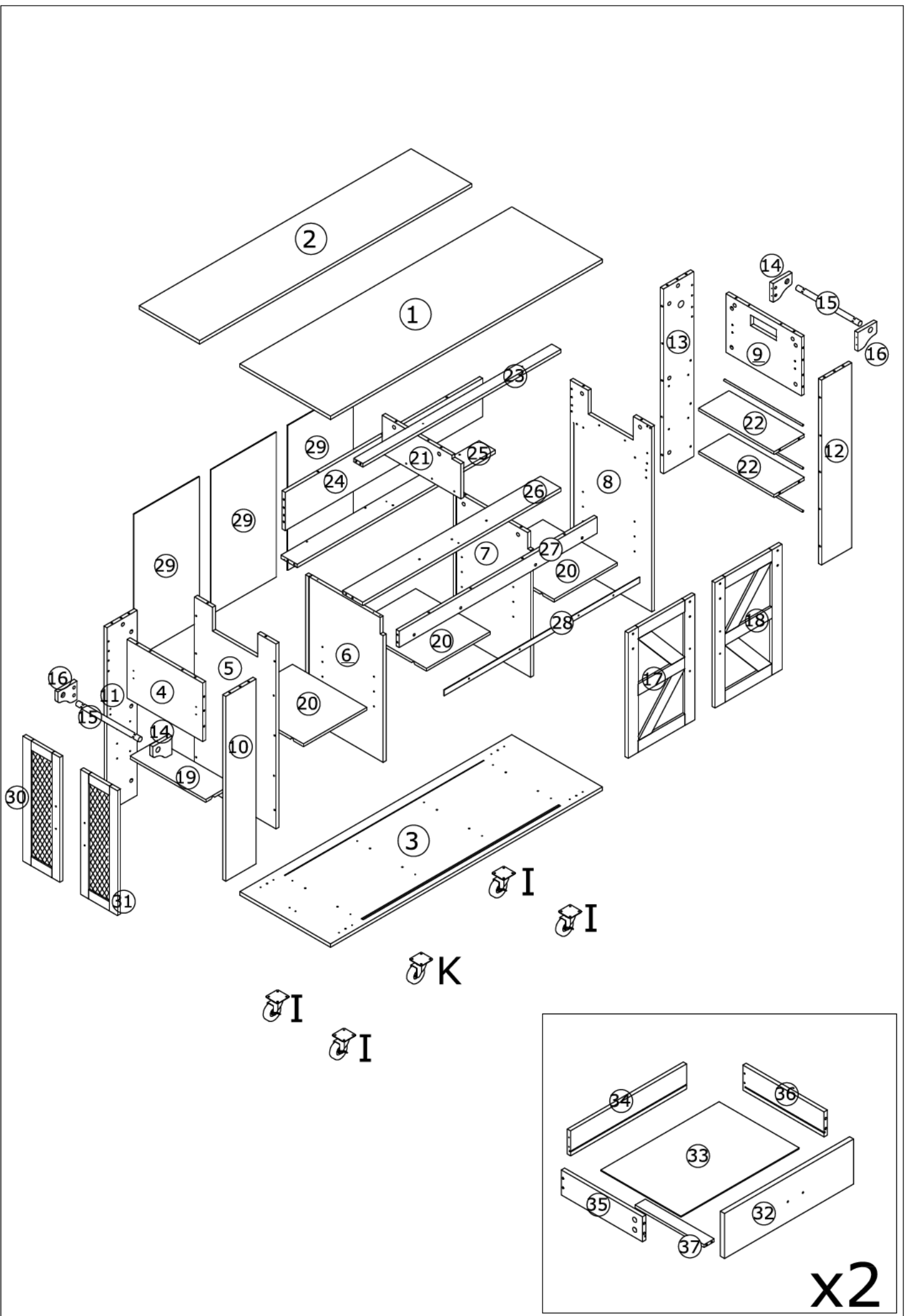
'SAFETY TIPS:

Static charge may cause dust on foam- clean with a dry or damp cloth.

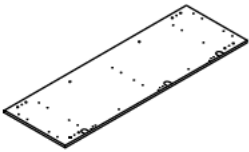

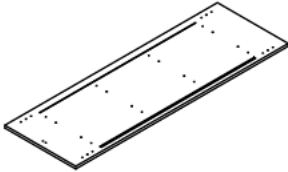
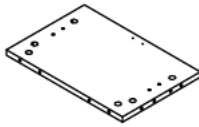
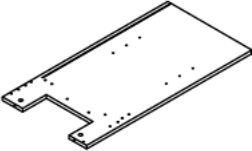
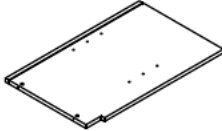
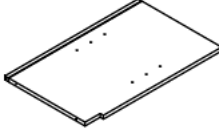
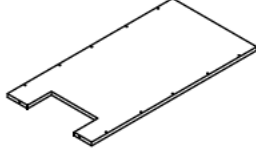
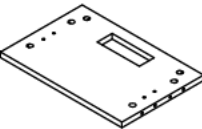
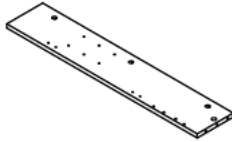
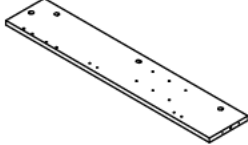
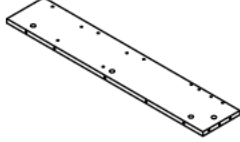
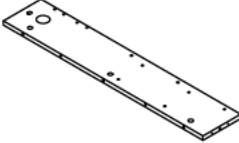
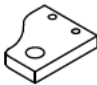
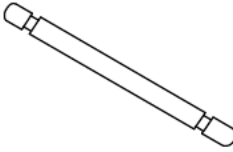

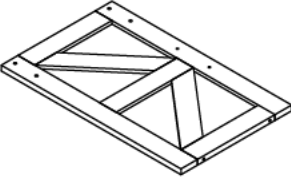
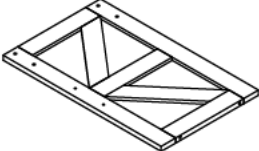
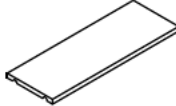
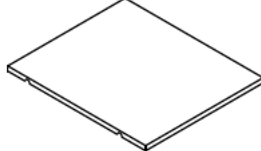
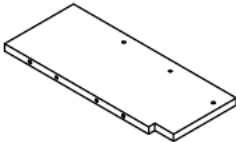
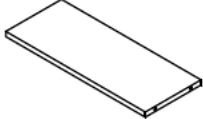
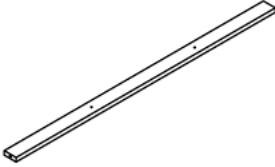
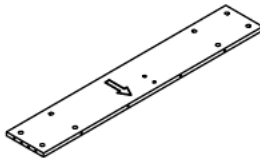
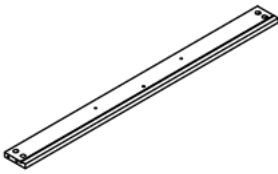
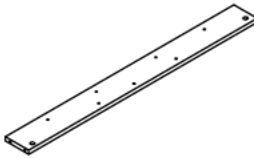
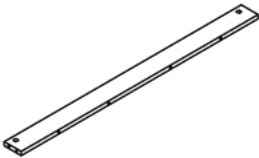
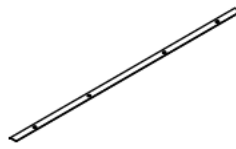
Styrofoam strands may represent - handle gently and dispose of properly.

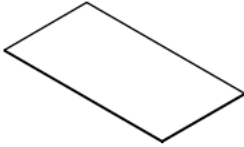
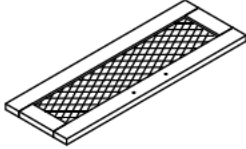
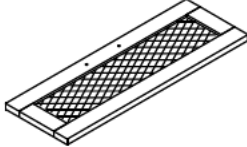
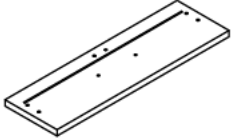
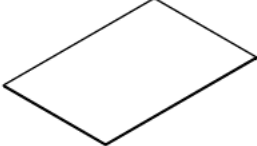
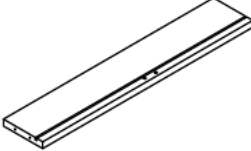

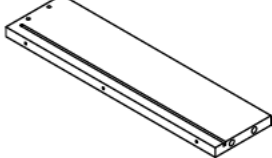
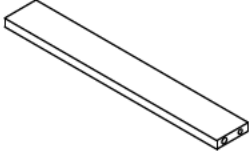
Do not burn or incinerate.

















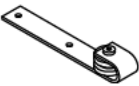
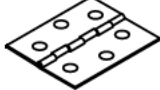





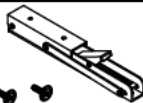
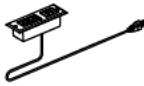


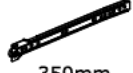


Check local recycling guidelines.




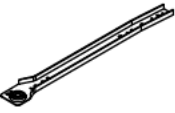




Parts and Operation Elements

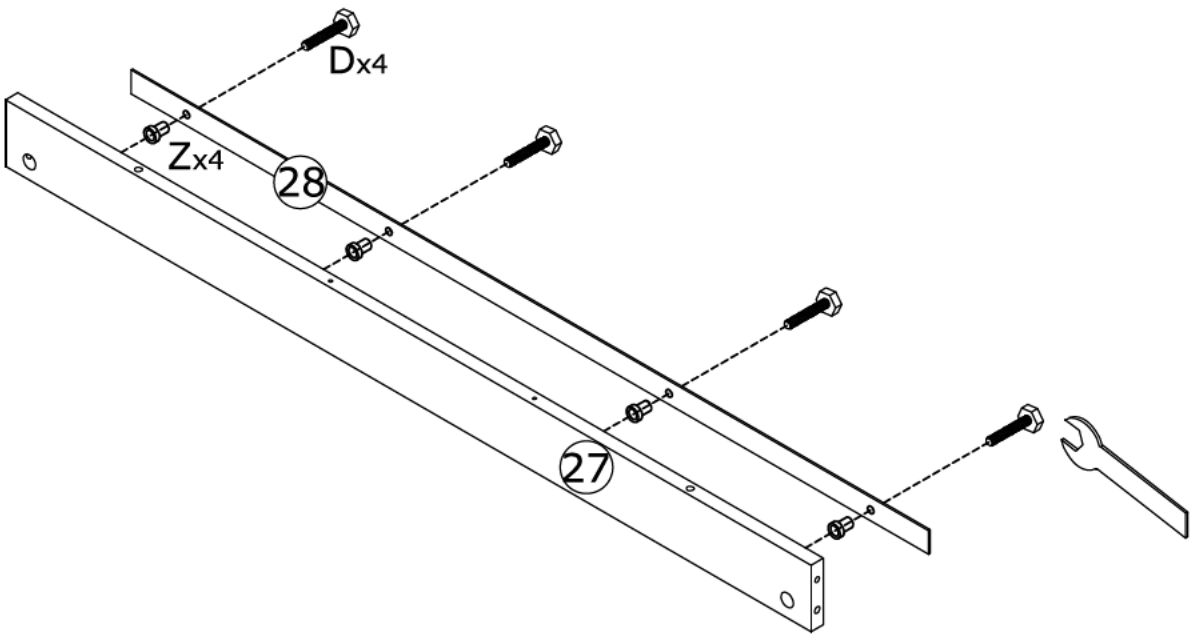
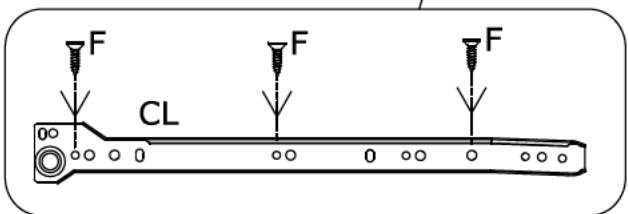
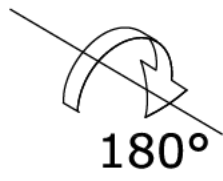
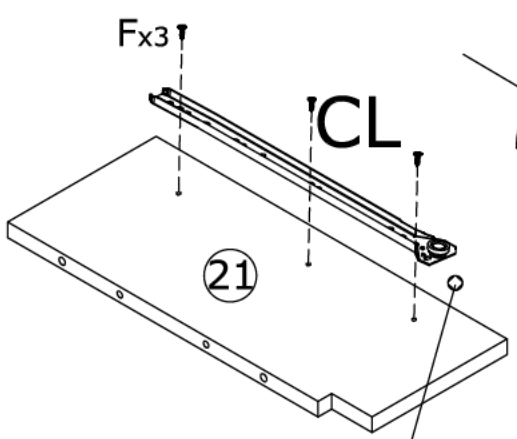
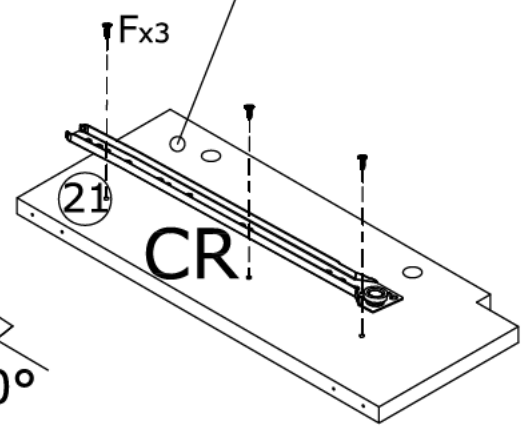
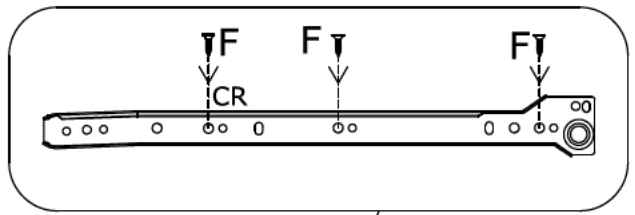
			
① 1pc	② 1pc	③ 1pc	④ 1pc
			
⑤ 1pc	⑥ 1pc	⑦ 1pc	⑧ 1pc
			
⑨ 1pc	⑩ 1pc	⑪ 1pc	⑫ 1pc
			
⑬ 1pc	⑭ 1pc	⑮ 2pcs	⑯ 1pc
			
⑰ 1pc	⑱ 1pc	⑲ 1pc	⑳ 3pcs
			
㉑ 1pc	㉒ 2pcs	㉓ 1pc	㉔ 1pc
			
㉕ 1pc	㉖ 1pc	㉗ 1pc	㉘ 1pc

			
②⑨ 3pcs	③⑩ 1pc	③① 1pc	③② 2pcs
			
③③ 2pcs	③④ 2pcs	③⑤ 2pcs	③⑥ 2pcs
			
③⑦ 2pcs			

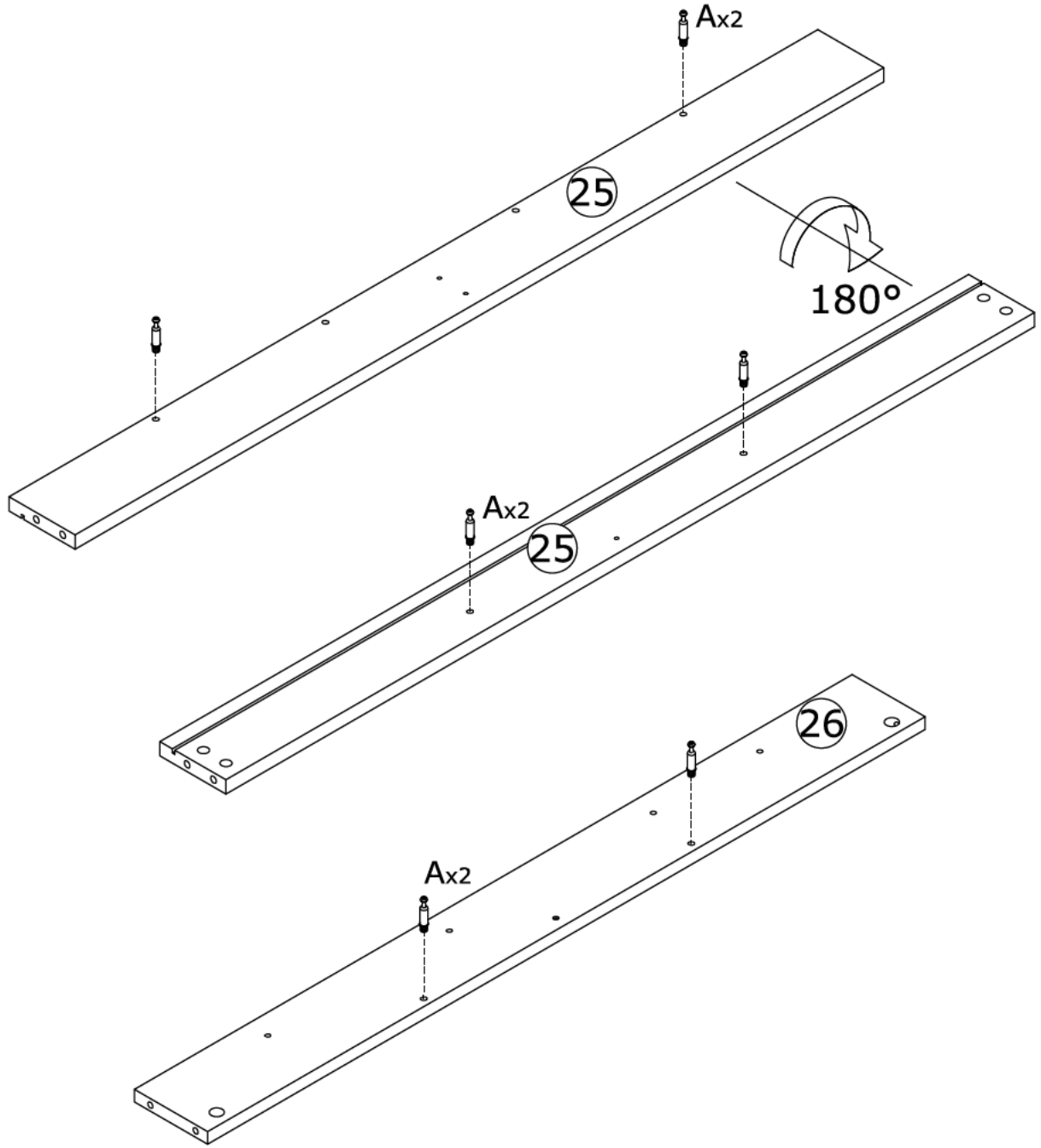
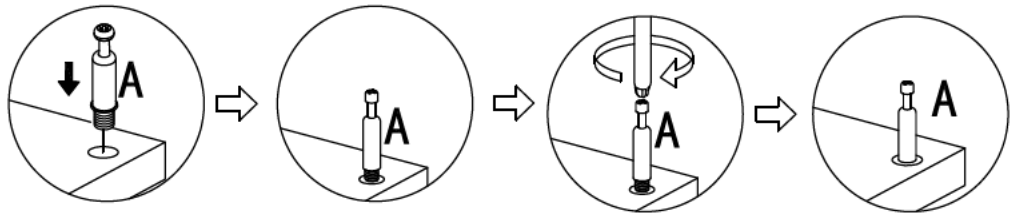
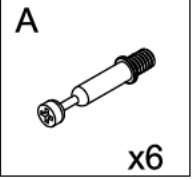
A		70 pcs +3 pcs	B	 15x10mm	70 pcs +3 pcs
C	 6x30mm	76 pcs +2 pcs	D	 M6x30mm Screw	4 pcs
E		16 pcs +2 pcs	F	 M3,5x12mmxD6,5 Screw	64 pcs +3 pcs
G	 4x16mm	6 pcs	H	 M6x10mm Screw	8 pcs
I		4 pcs	J	 6x50mm Screw	8 pcs
K		1 pc	L	 M5x40mm Screw	26 pcs +2 pcs
M	 M3x14mm	18 pcs +2 pcs	N		4 pcs
O		3 pcs	P		1 pc
Q		4 pcs	R		3 pcs
S	 M4x25mm Screw	2 pcs	T	 M5x14mm Screw	20 pcs +2 pcs
U		4 pcs	V	 3x14mmxD6	1 pc
W		24 pcs	X		3 pcs
Y		1 pc	Z		4 pcs
CL	 350mm	2 pcs	CR	 350mm	2 pcs
DL	 350mm	2 pcs	DR	 350mm	2 pcs

You will need

<p>F</p>  <p>x6</p>	<p>CL</p>  <p>x1</p>
<p>CR</p>  <p>x1</p>	<p>D</p>  <p>M6x30mm x4</p>
<p>P</p> 	<p>Z</p>  <p>x4</p>



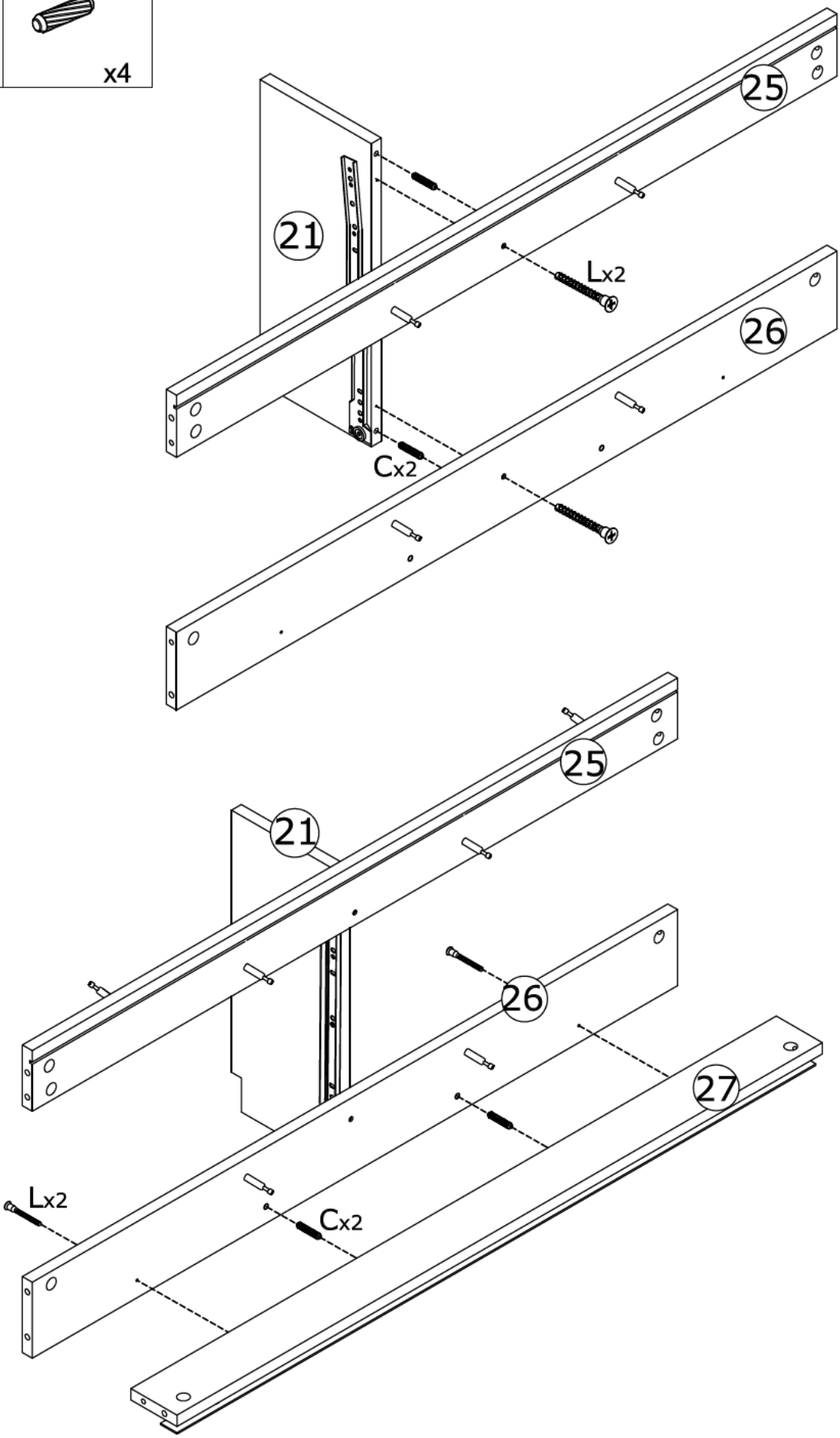
You will need





You will need

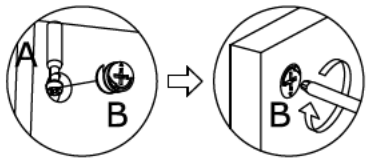
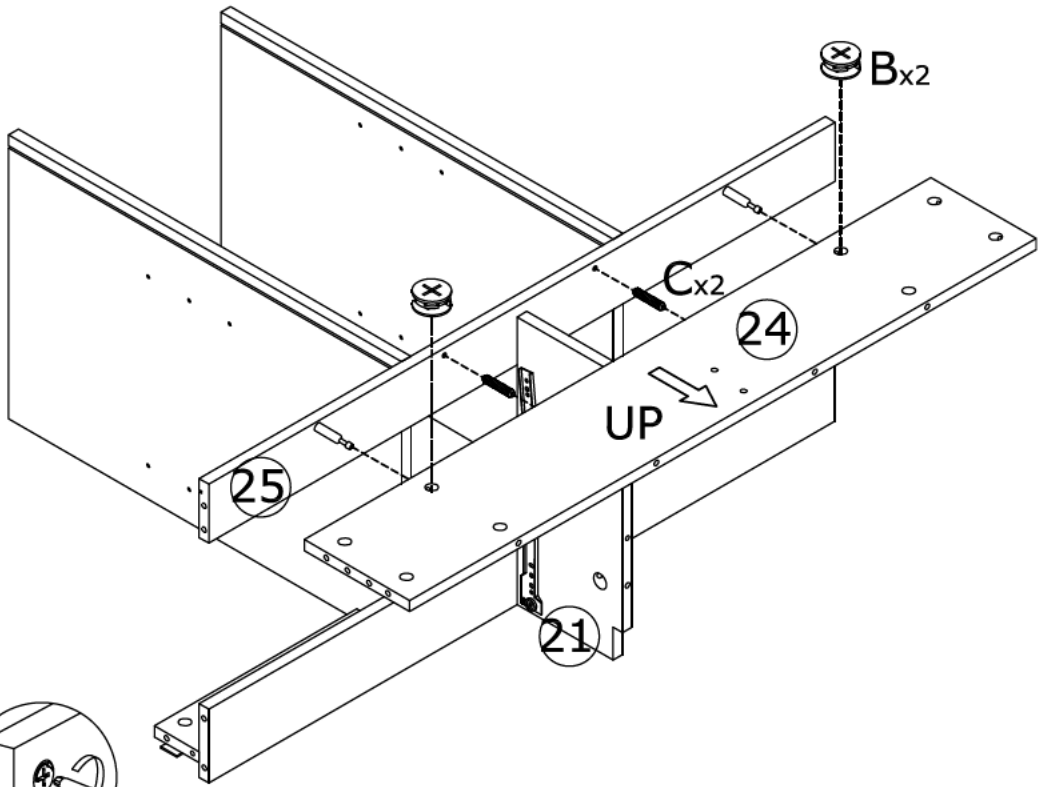
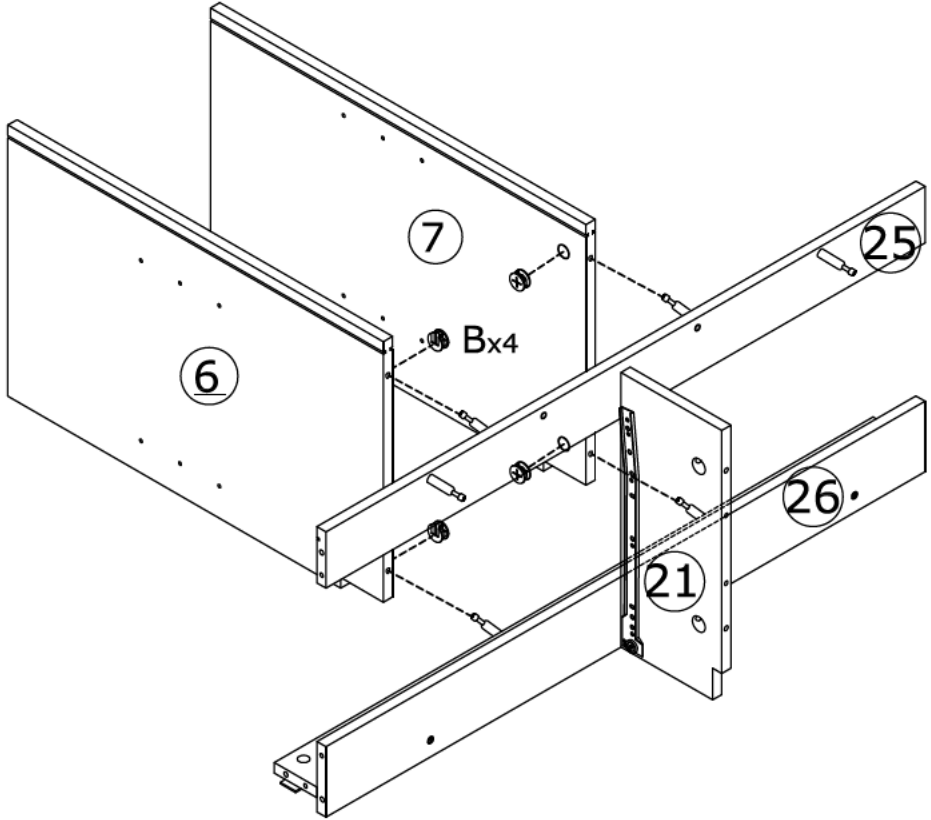
L
5x40mm
x4

C
x4



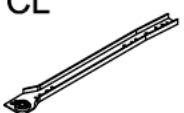


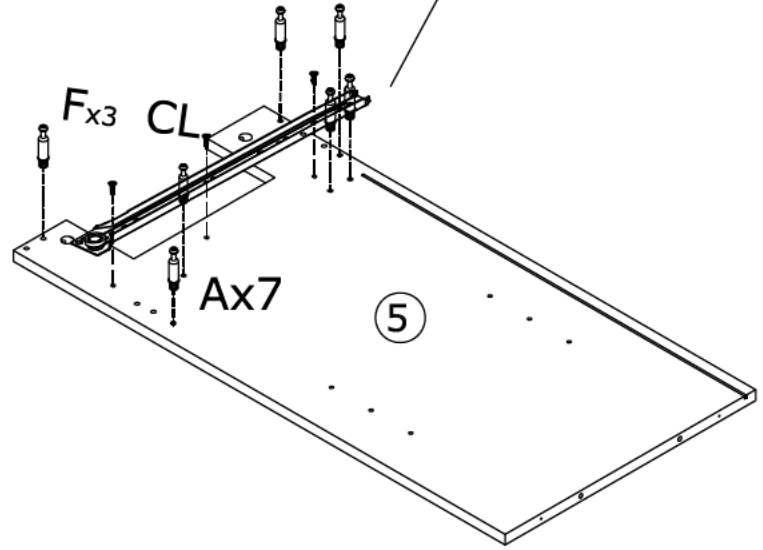
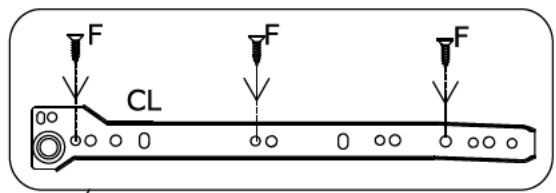
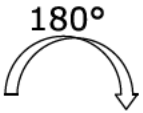
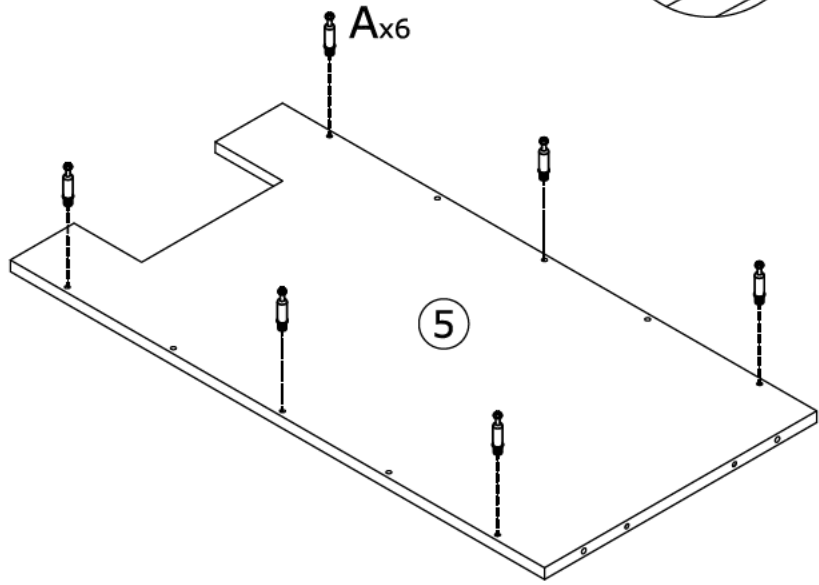
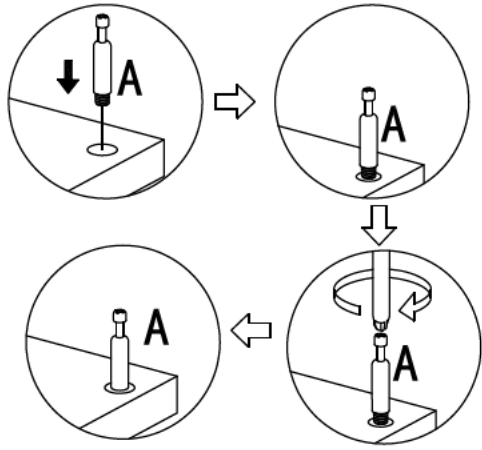
You will need

- | | |
|---|---|
| B

x6 | C

x2 |
|---|---|






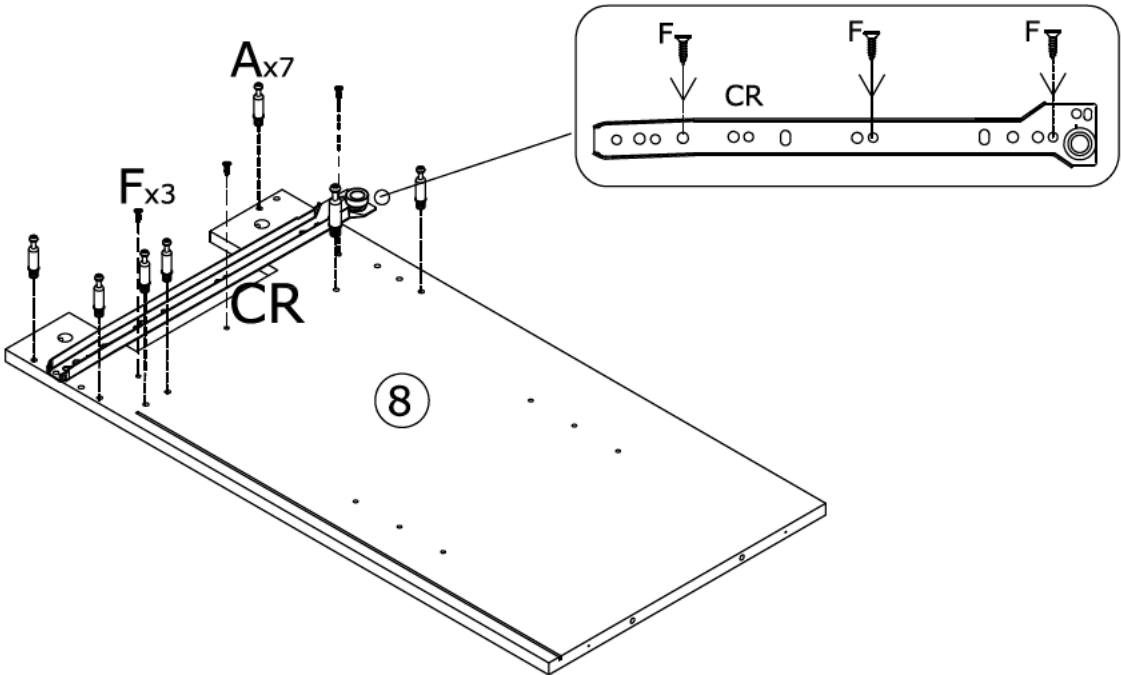
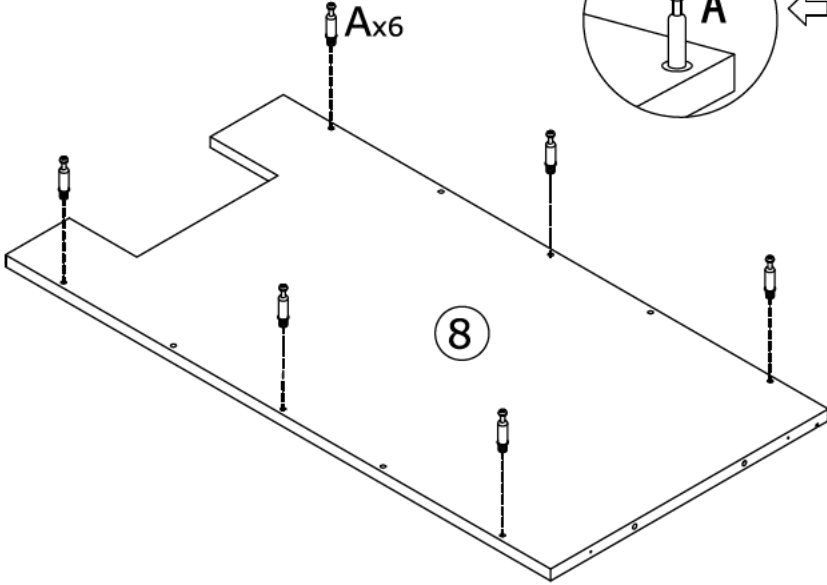
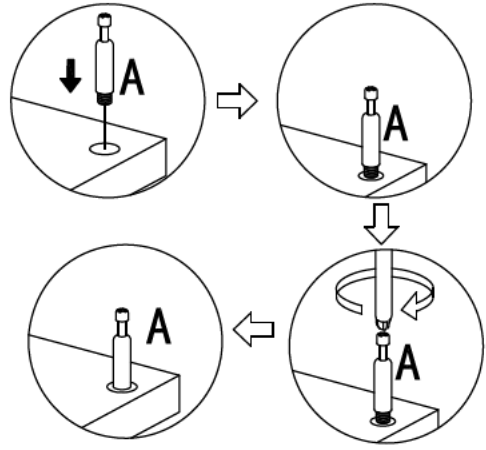
You will need

A	F
	
x13	x3
CL	
	
x1	

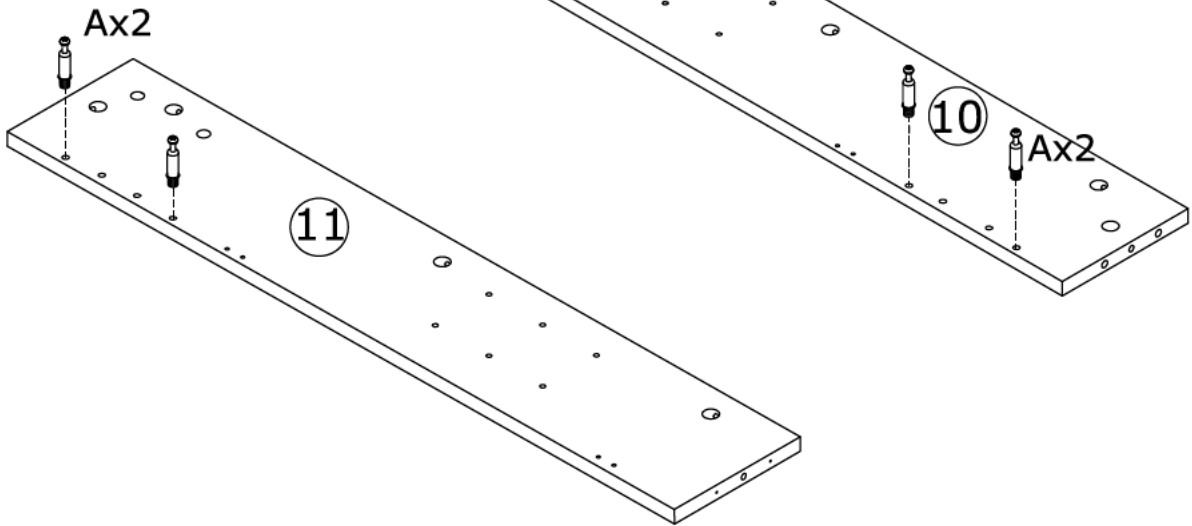
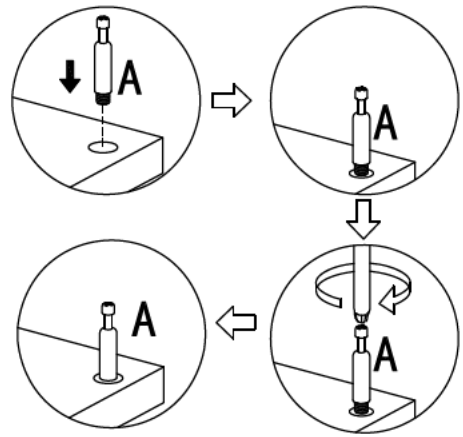
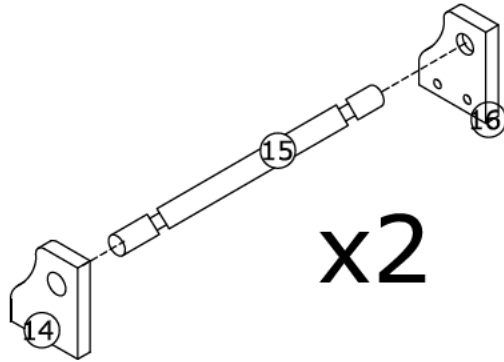
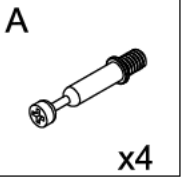


You will need





A  x13	F  x3
CR  x1	

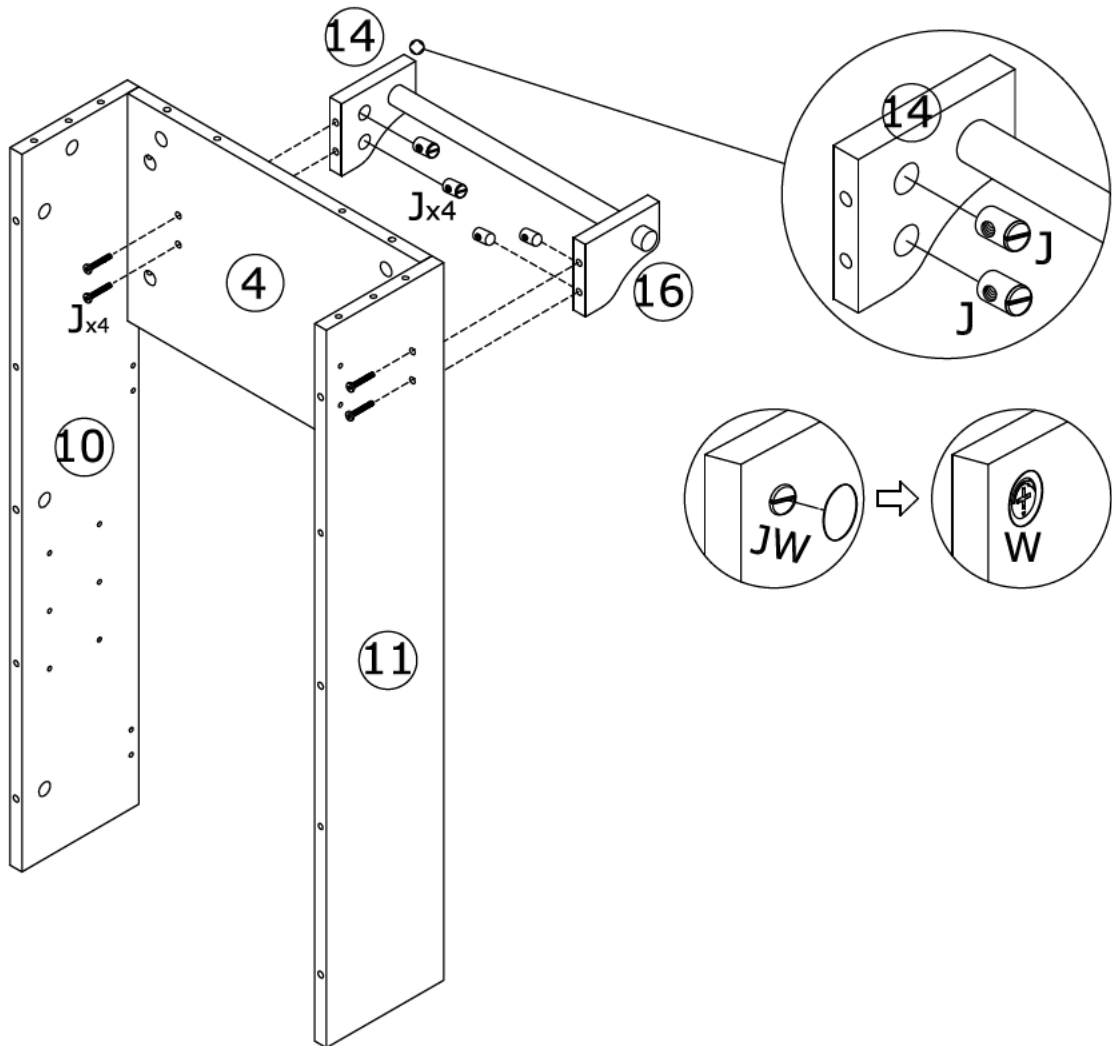
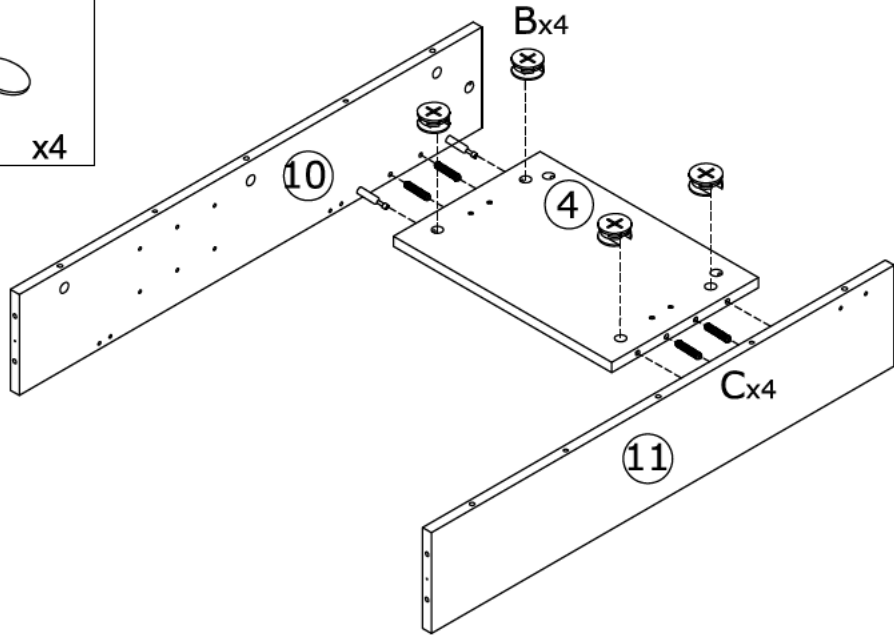
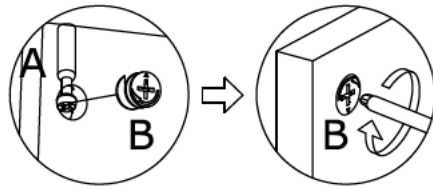


You will need



You will need

<p>B</p>  <p>x4</p>	<p>C</p>  <p>x4</p>
<p>J</p> <p>6x45mm</p>  <p>x4</p>	<p>W</p>  <p>x4</p>



You will need

B



x6

C

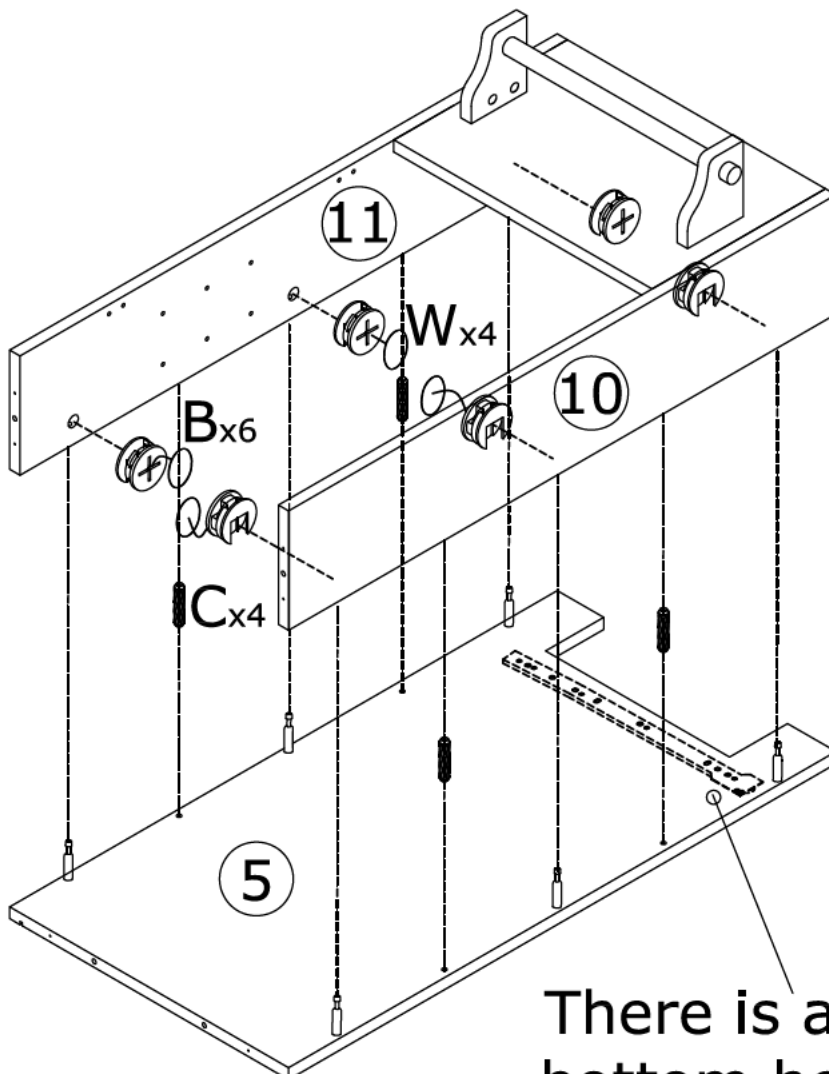
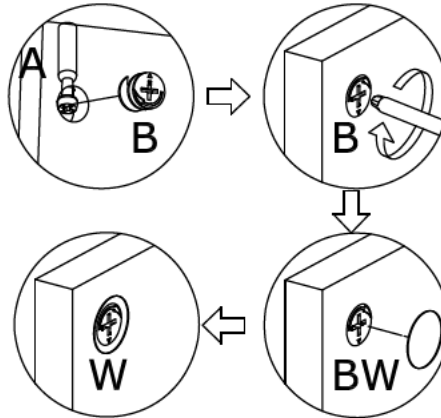


x4

W







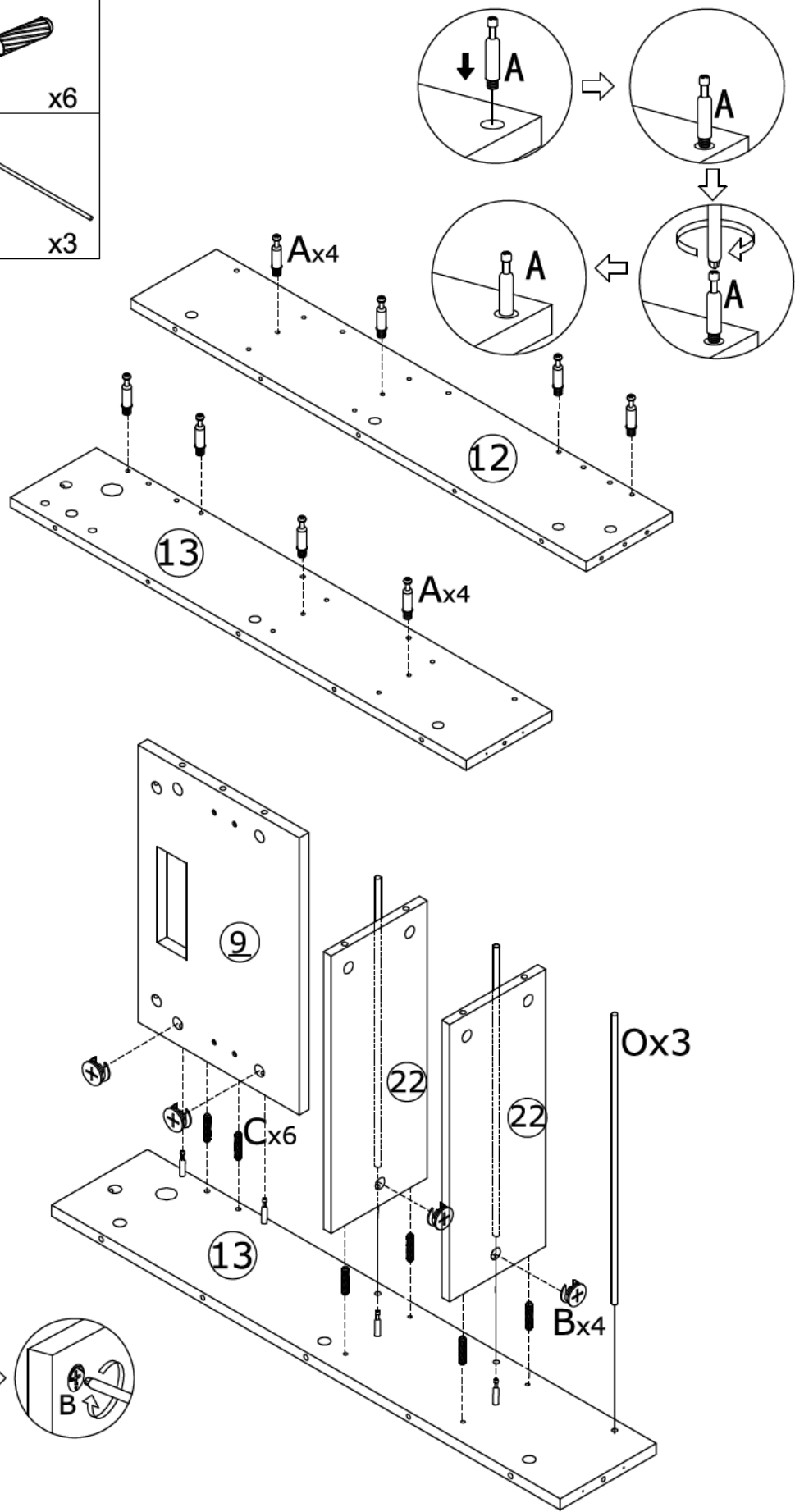
x4



There is a slide rail at the bottom here.

You will need

B  x4	C  x6
A  x8	O  x3



You will need

B

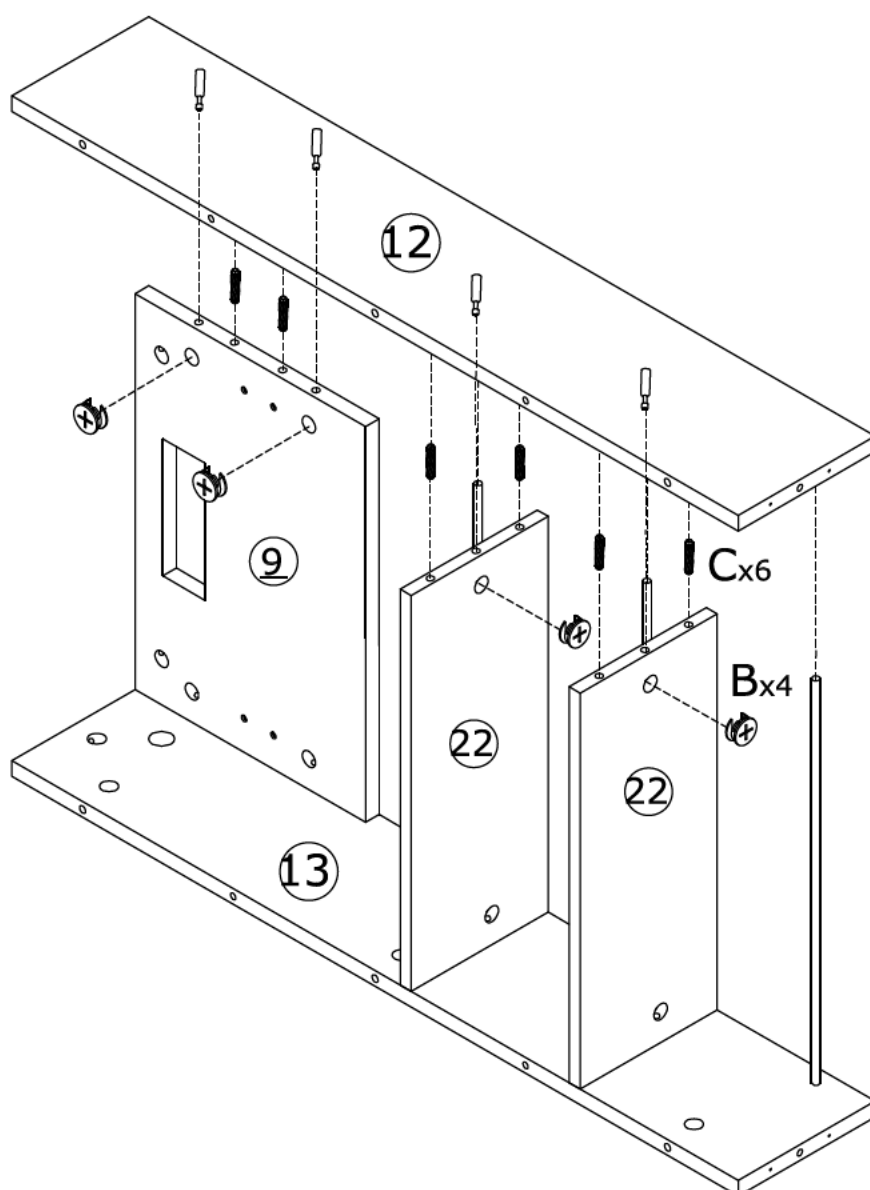
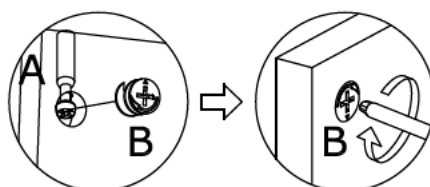


x4

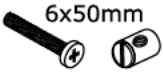

C

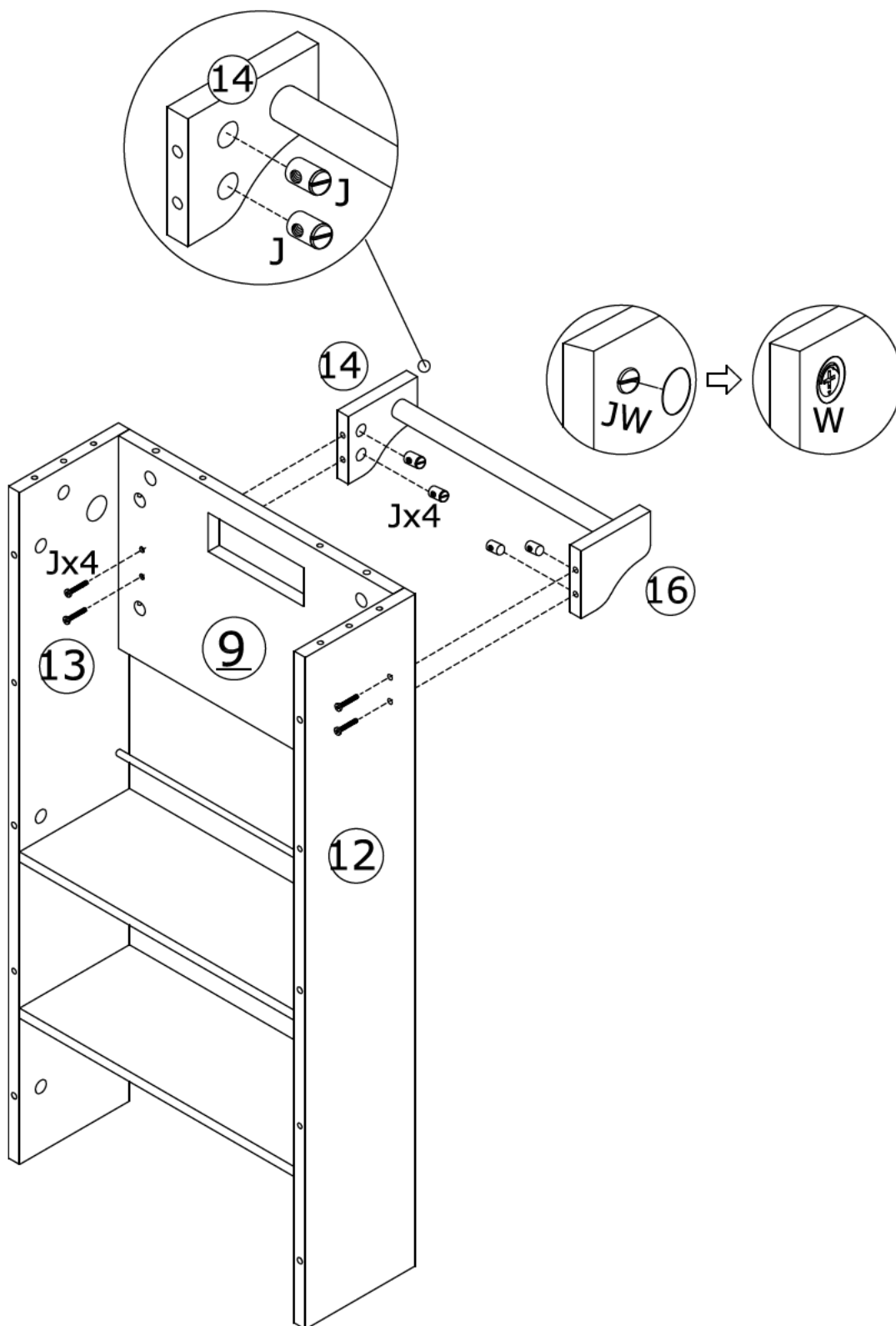


x6



You will need

J	W
 6x50mm	
x4	x4



You will need

B



x6

C

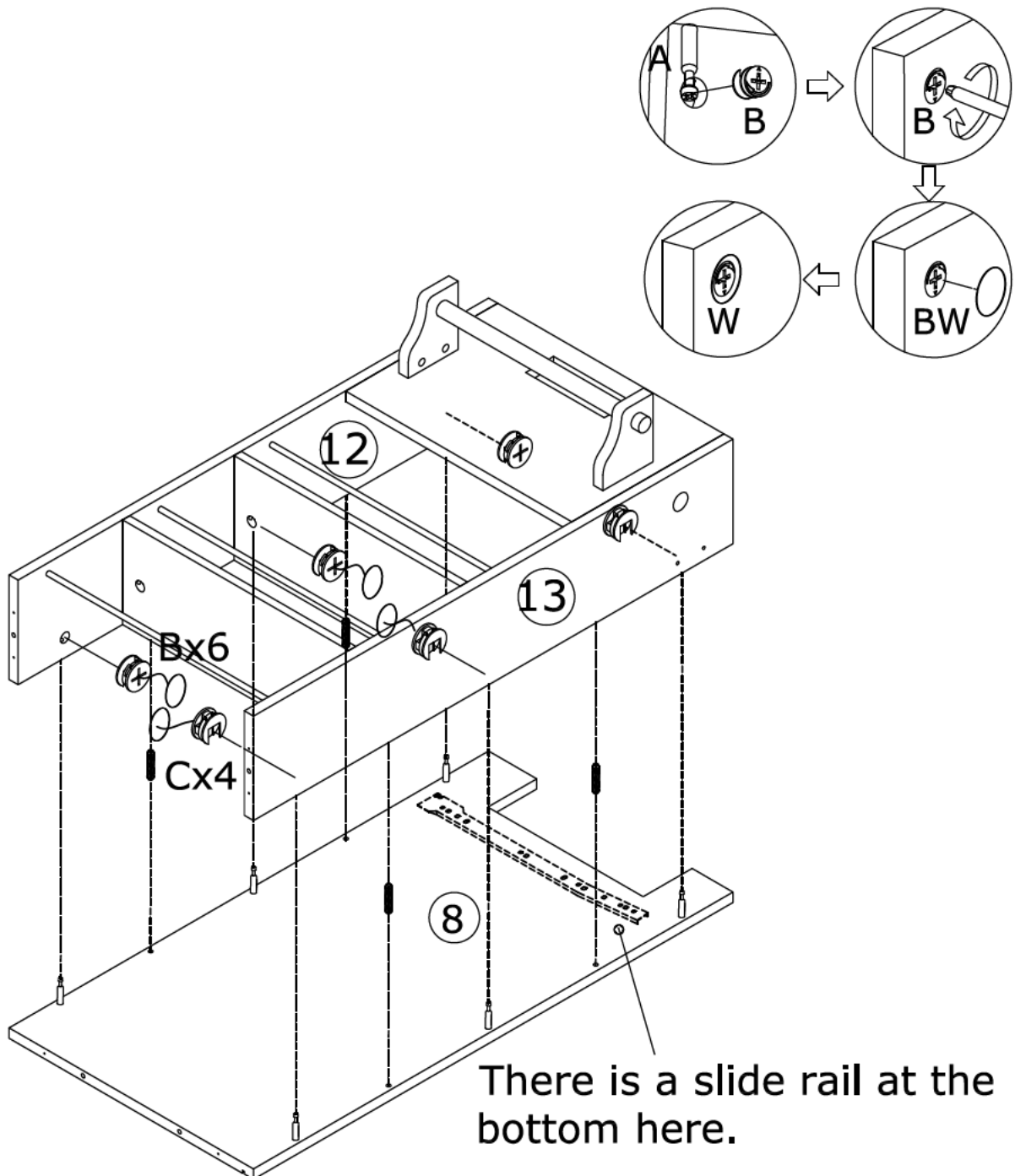


x4

W



x4



You will need

B

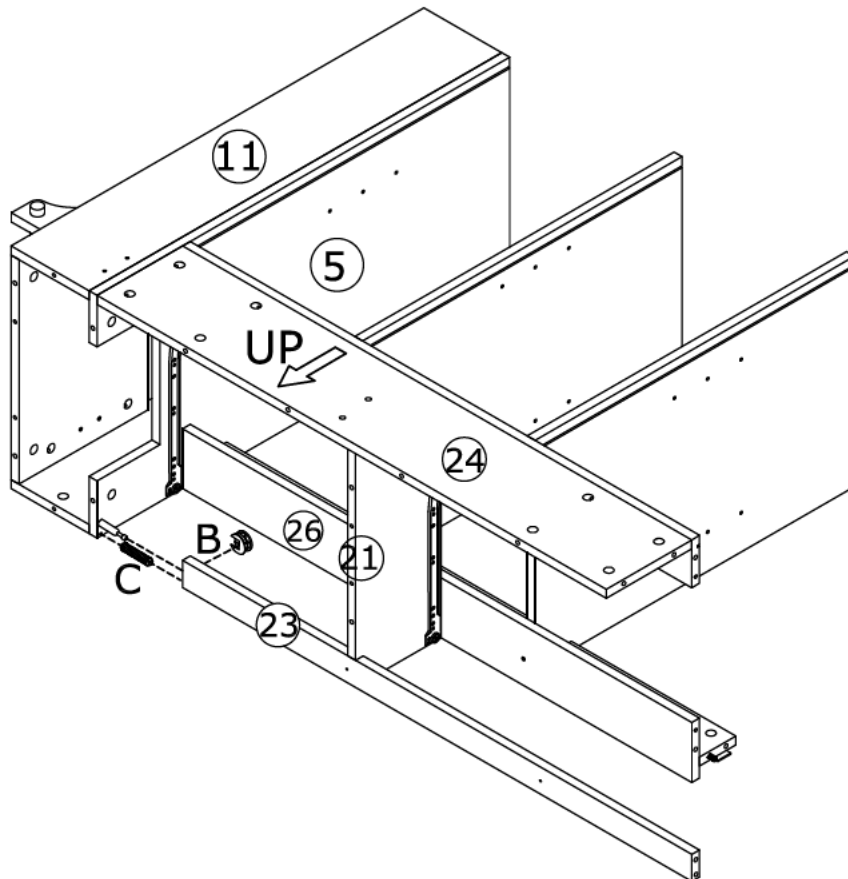
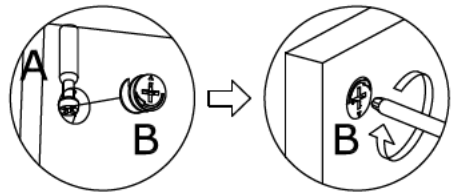
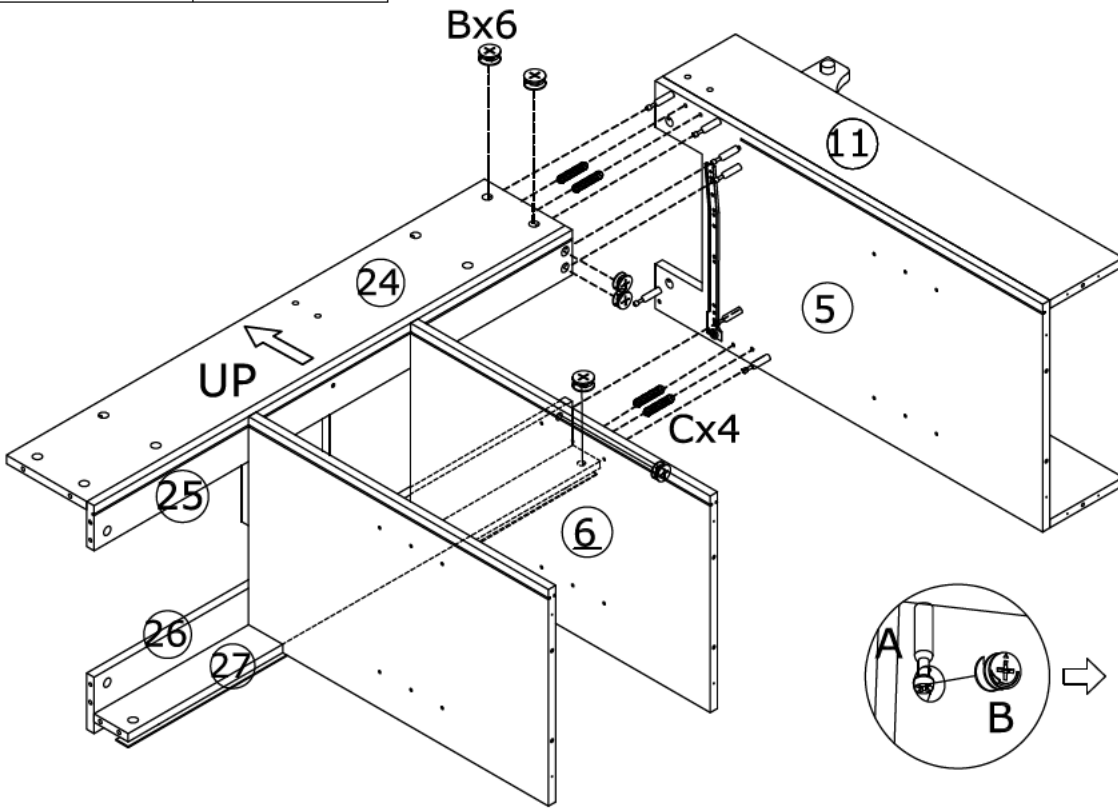


x7

C



x5



You will need

B

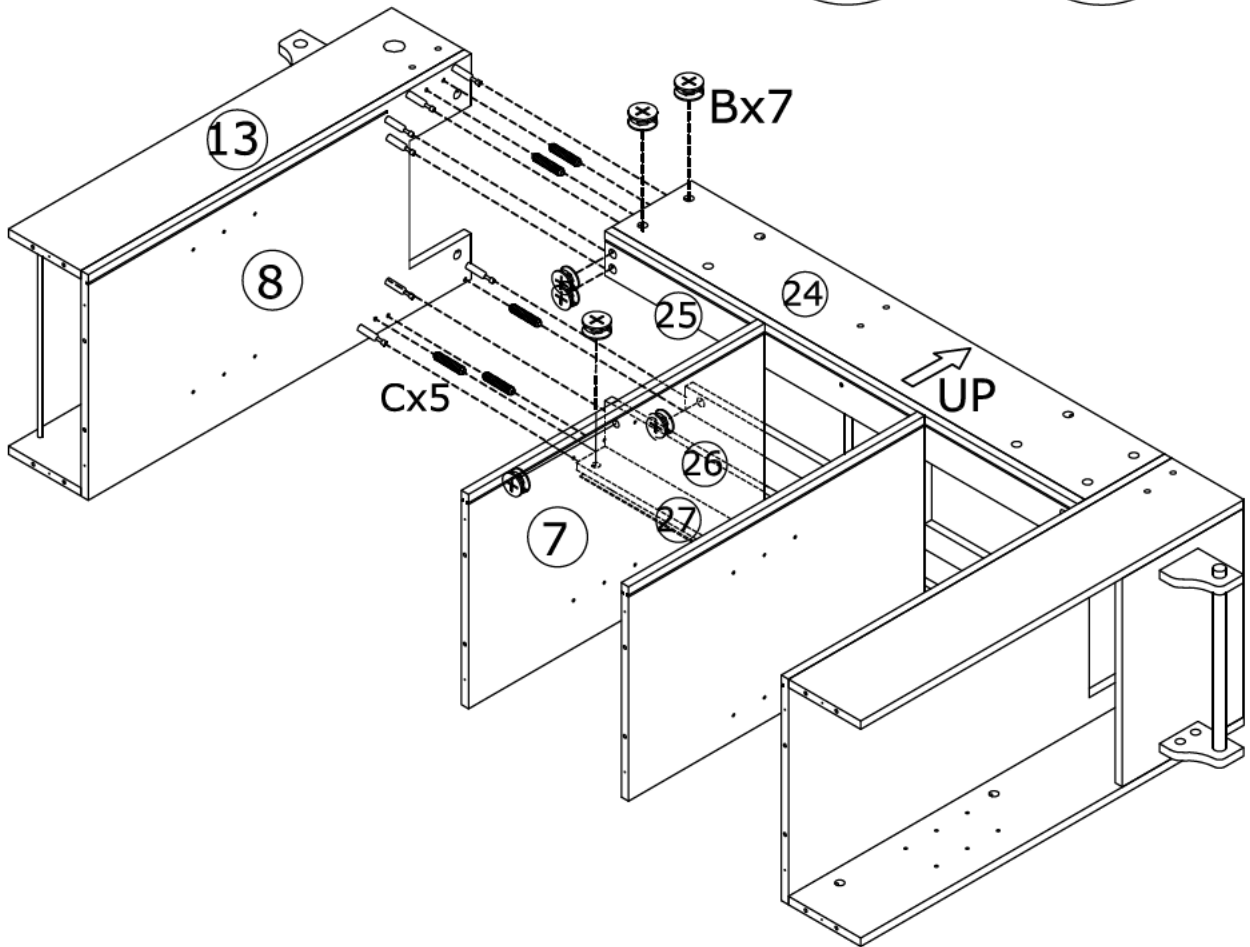
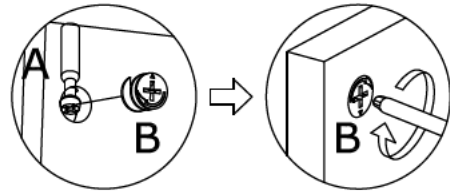


x7

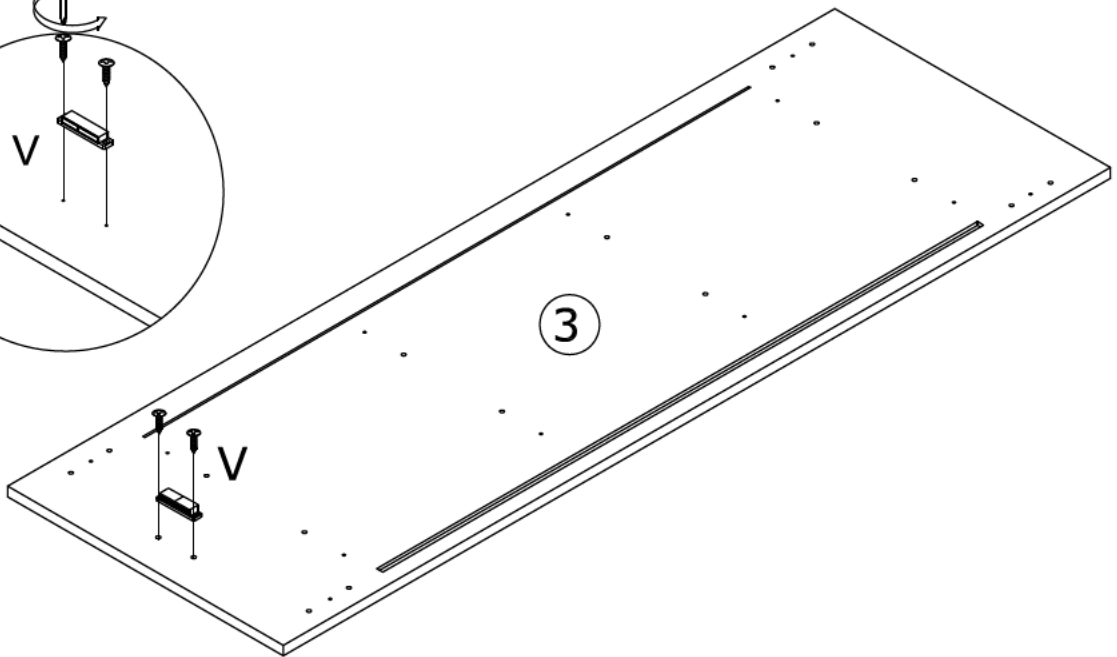
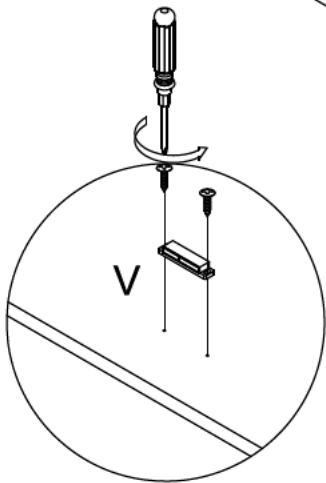
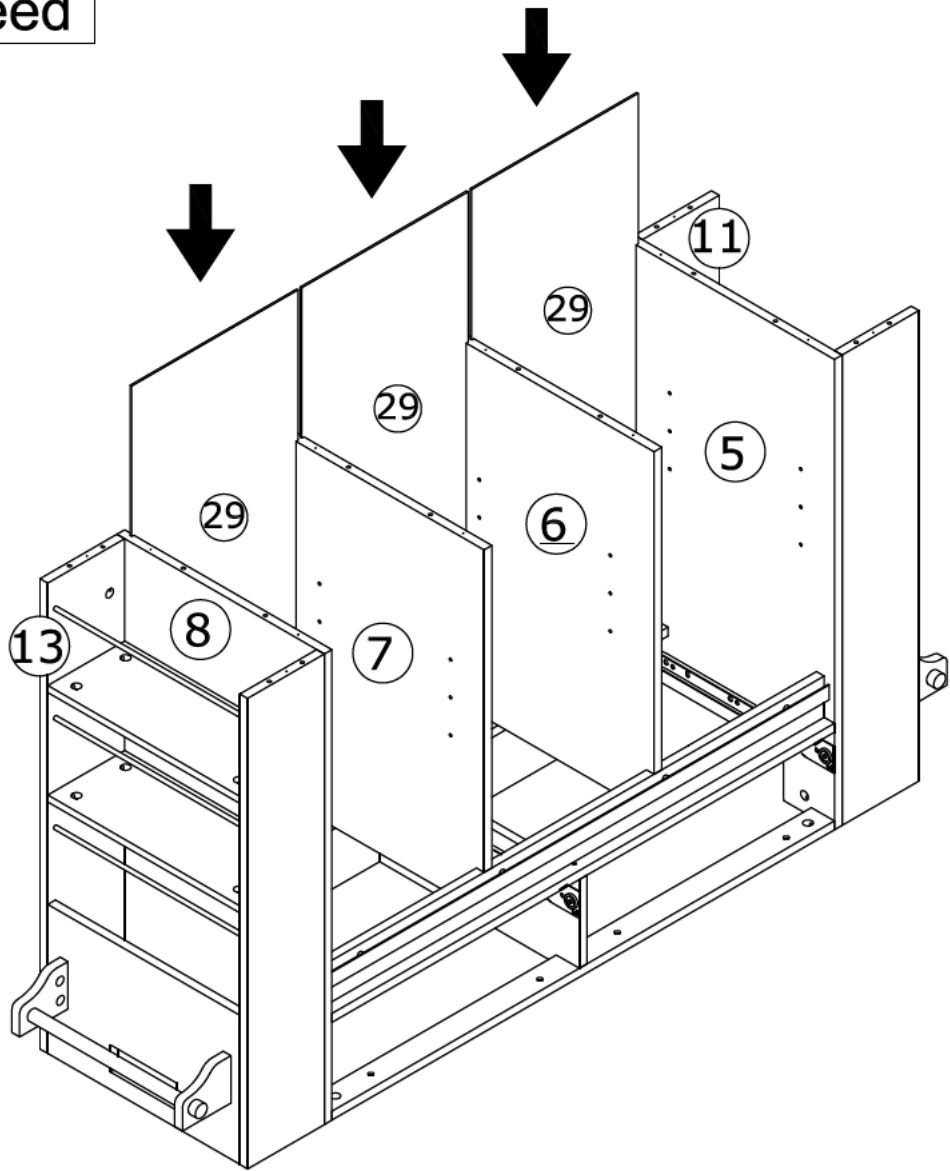
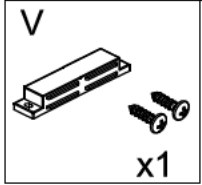
C



x5



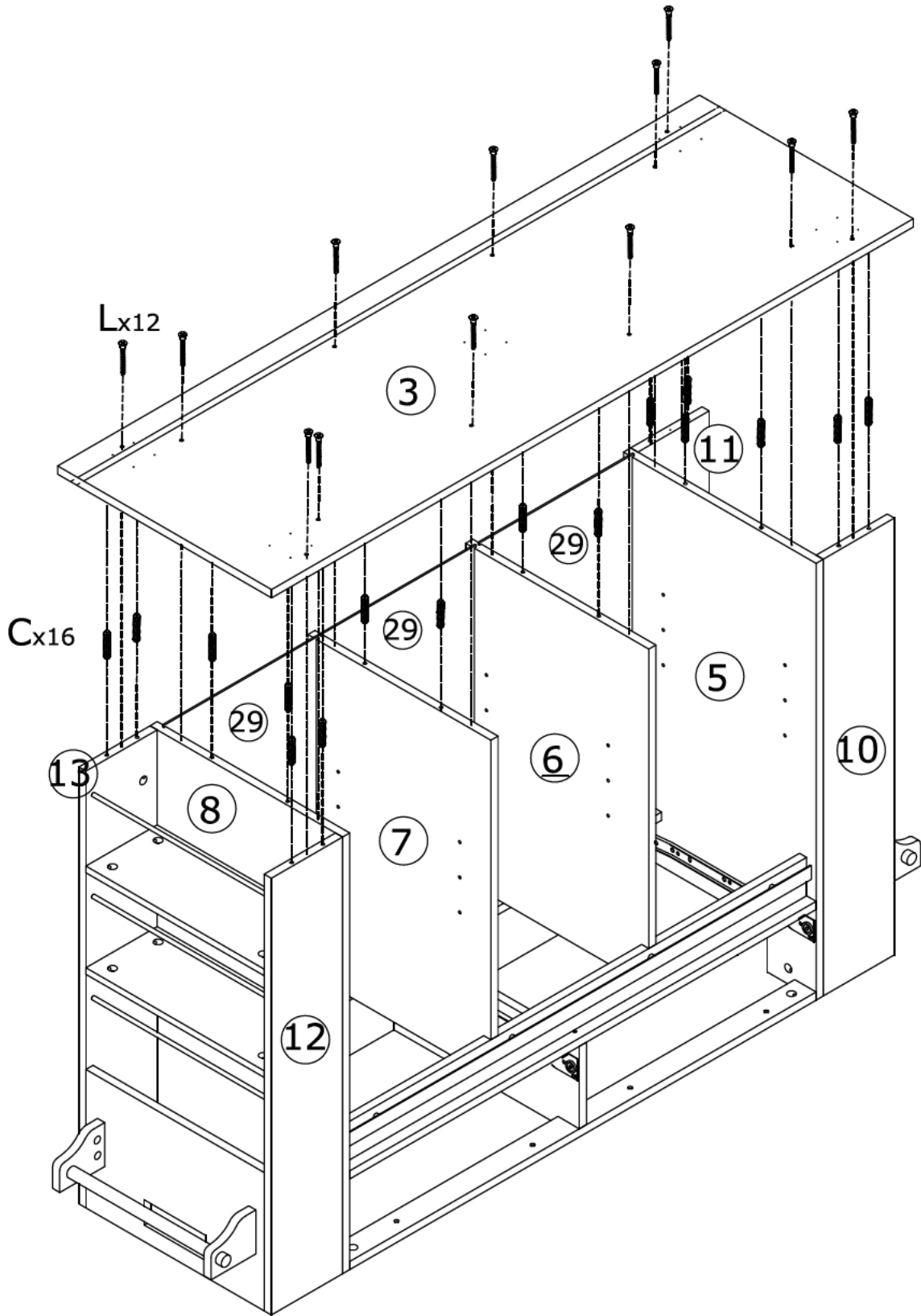
You will need






You will need

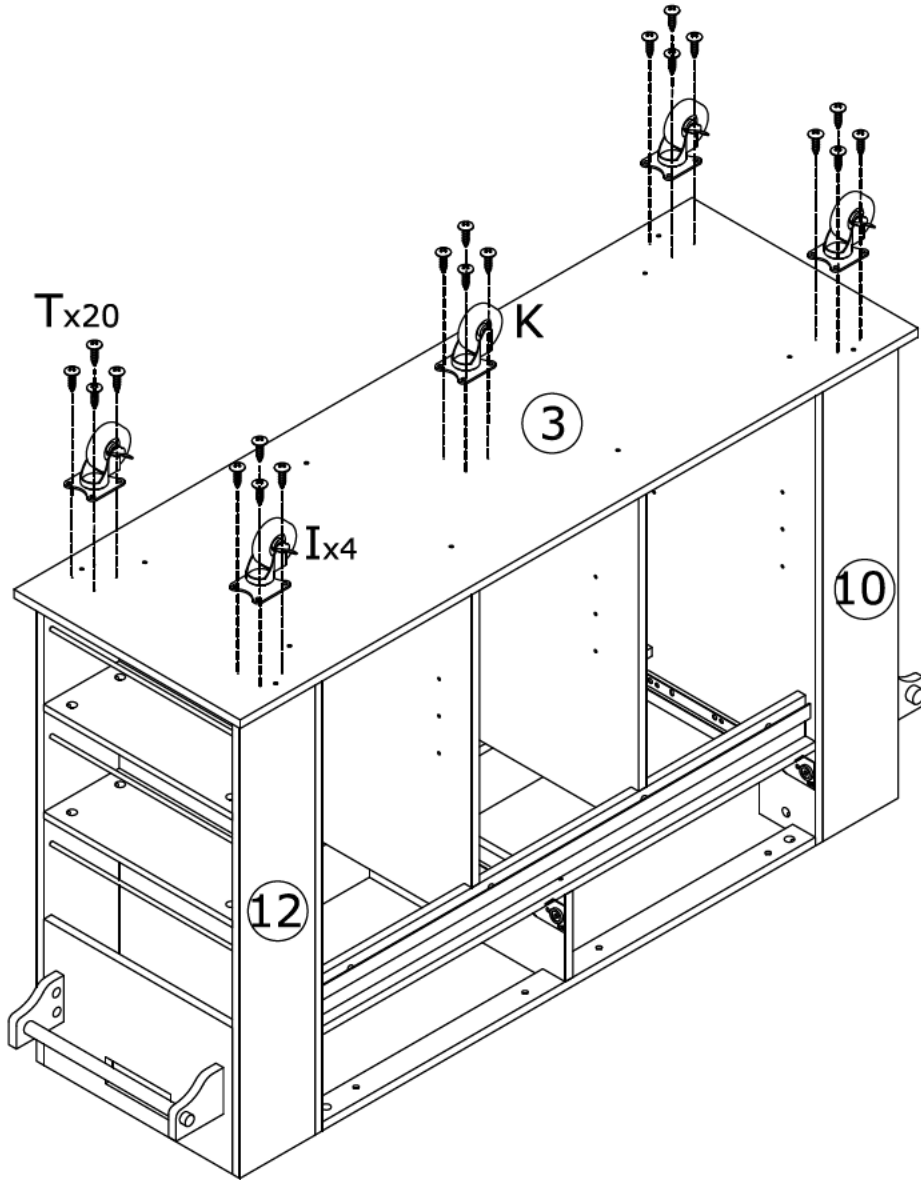
L
5x40mm
x12

C
x16

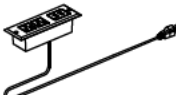
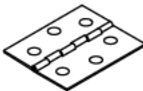



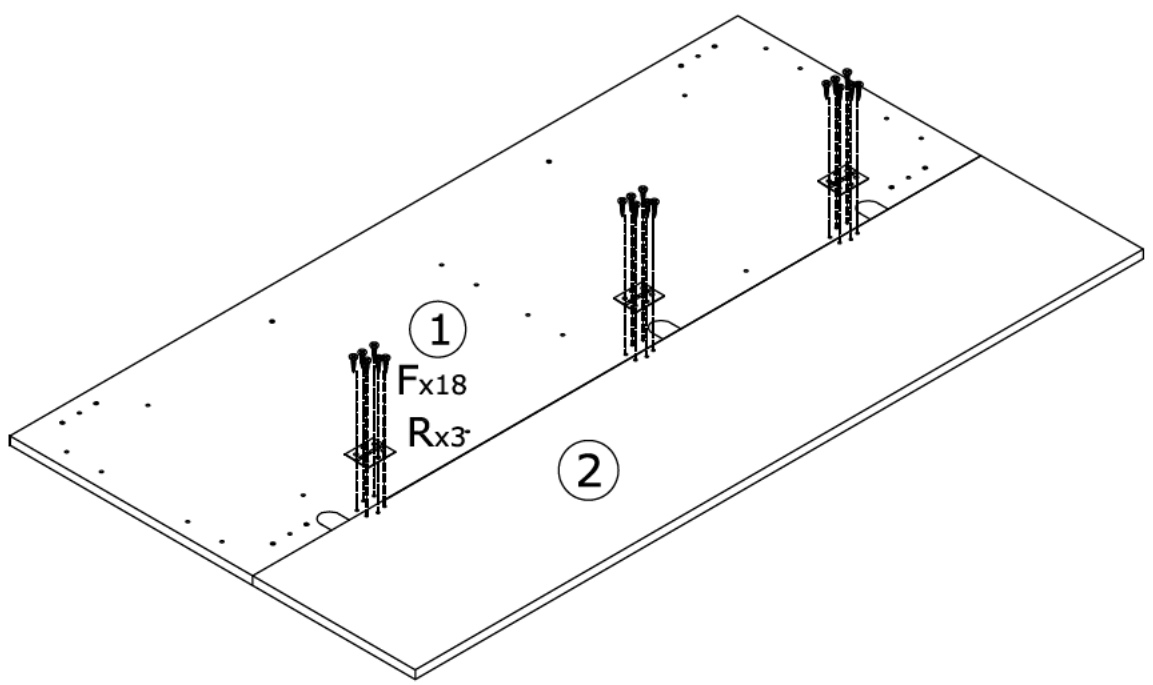
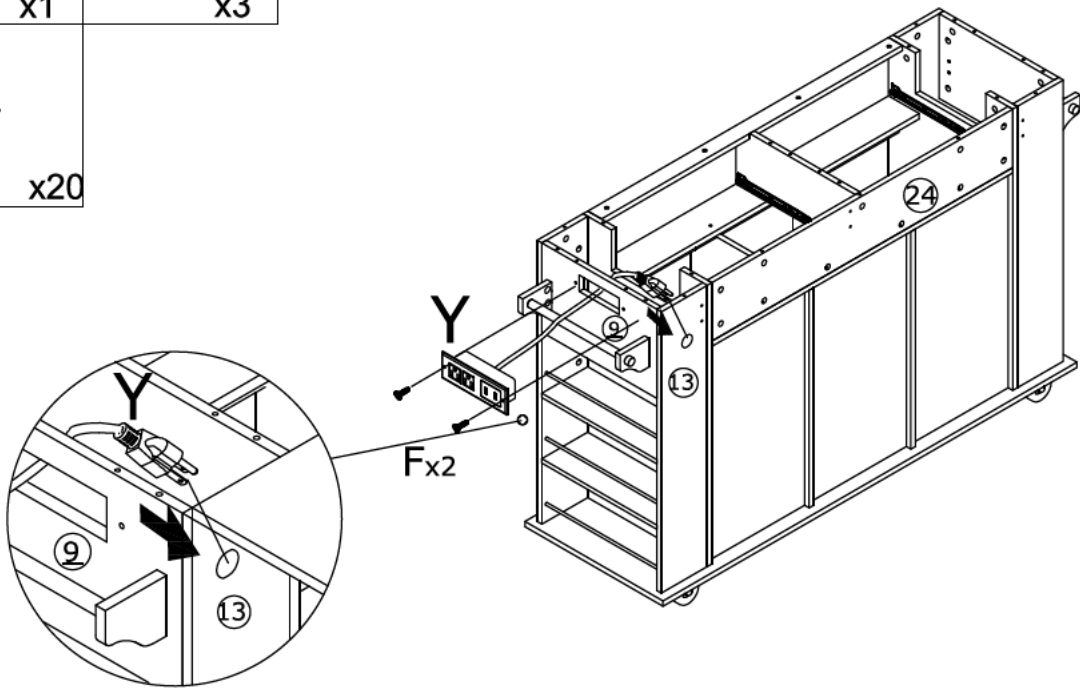
You will need

T  5x14mm x20	I  x4
K  x1	

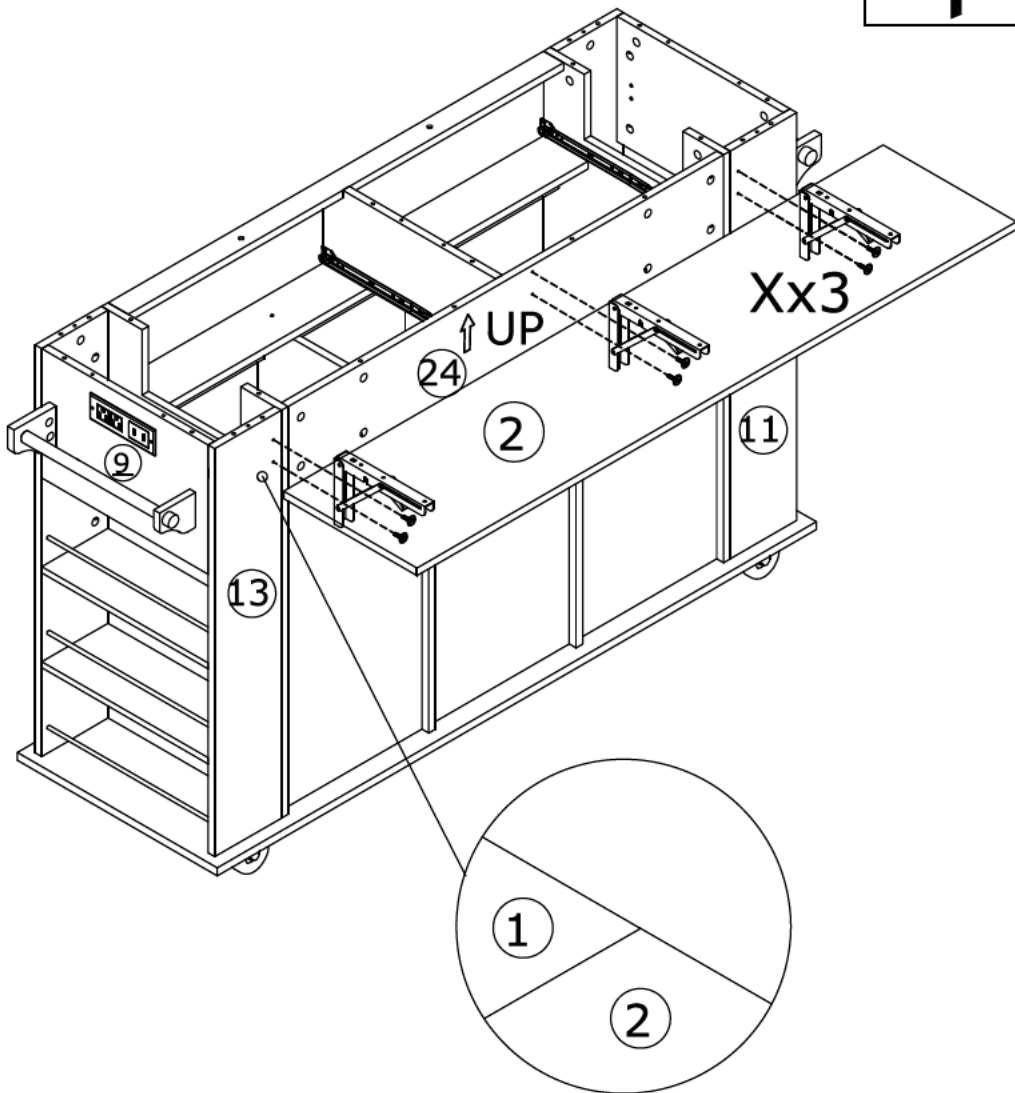
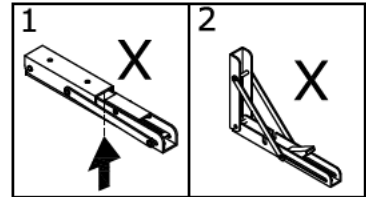
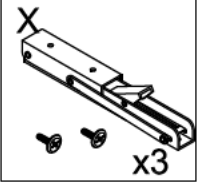


You will need




Y  x1	R  x3
F  x20	

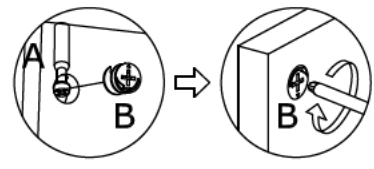
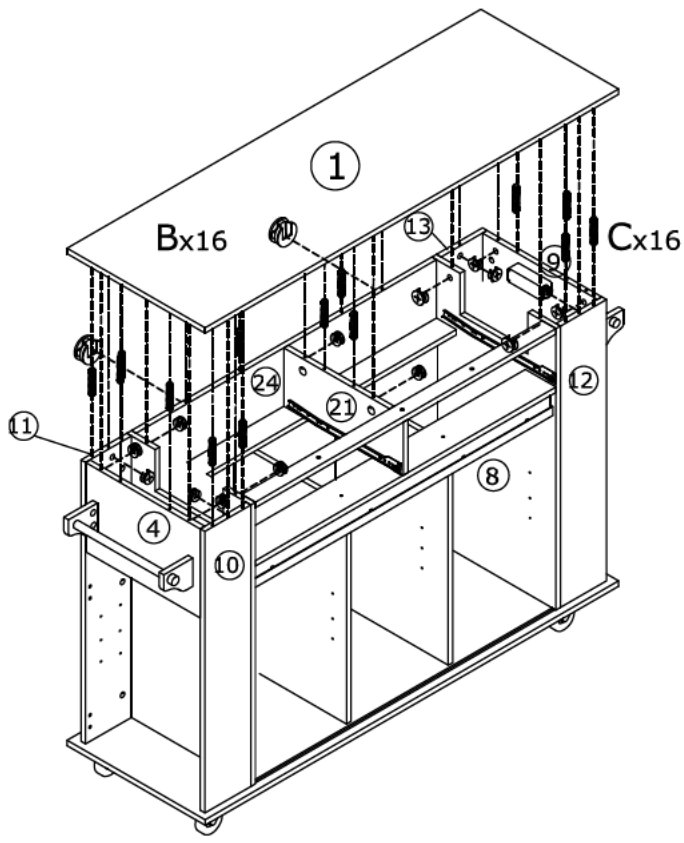
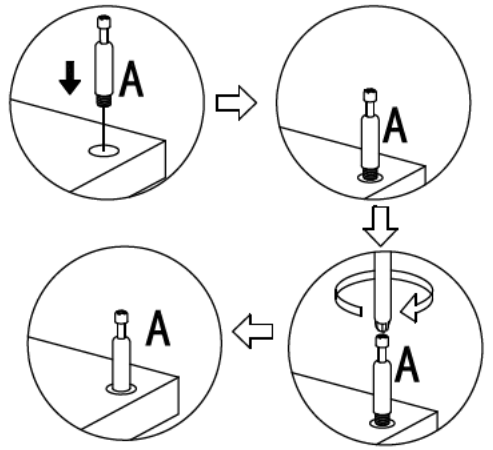
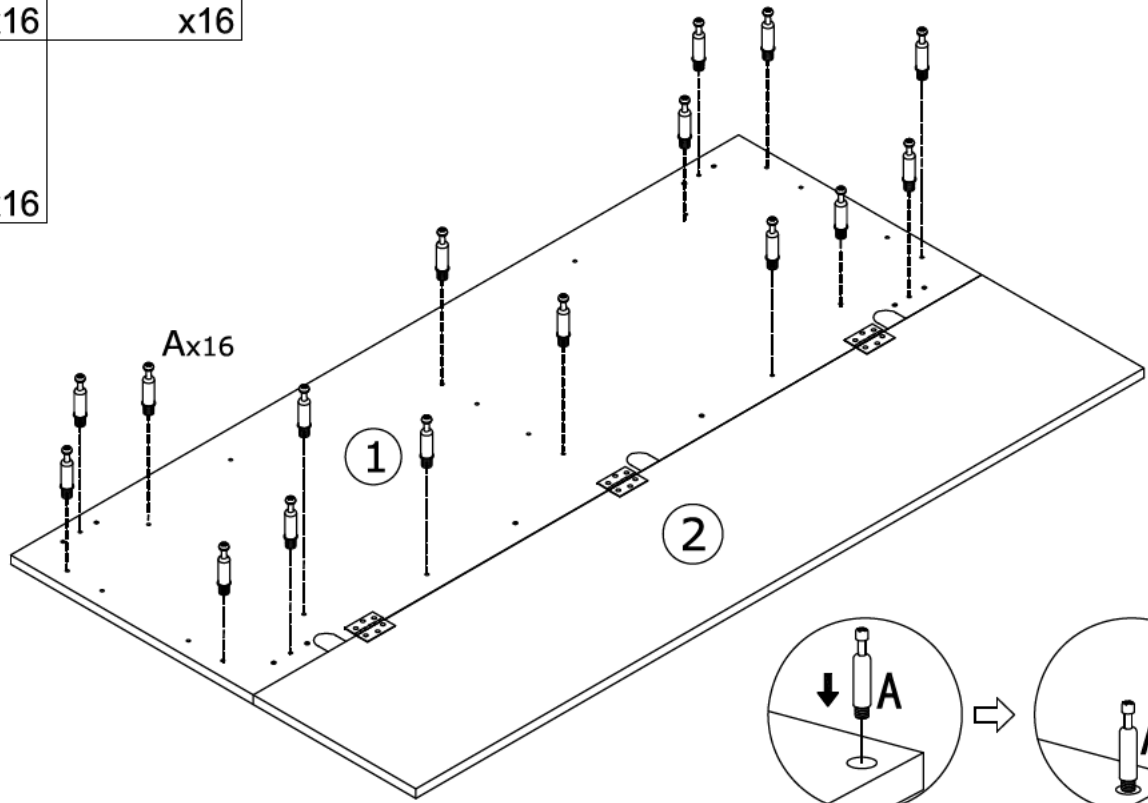


You will need





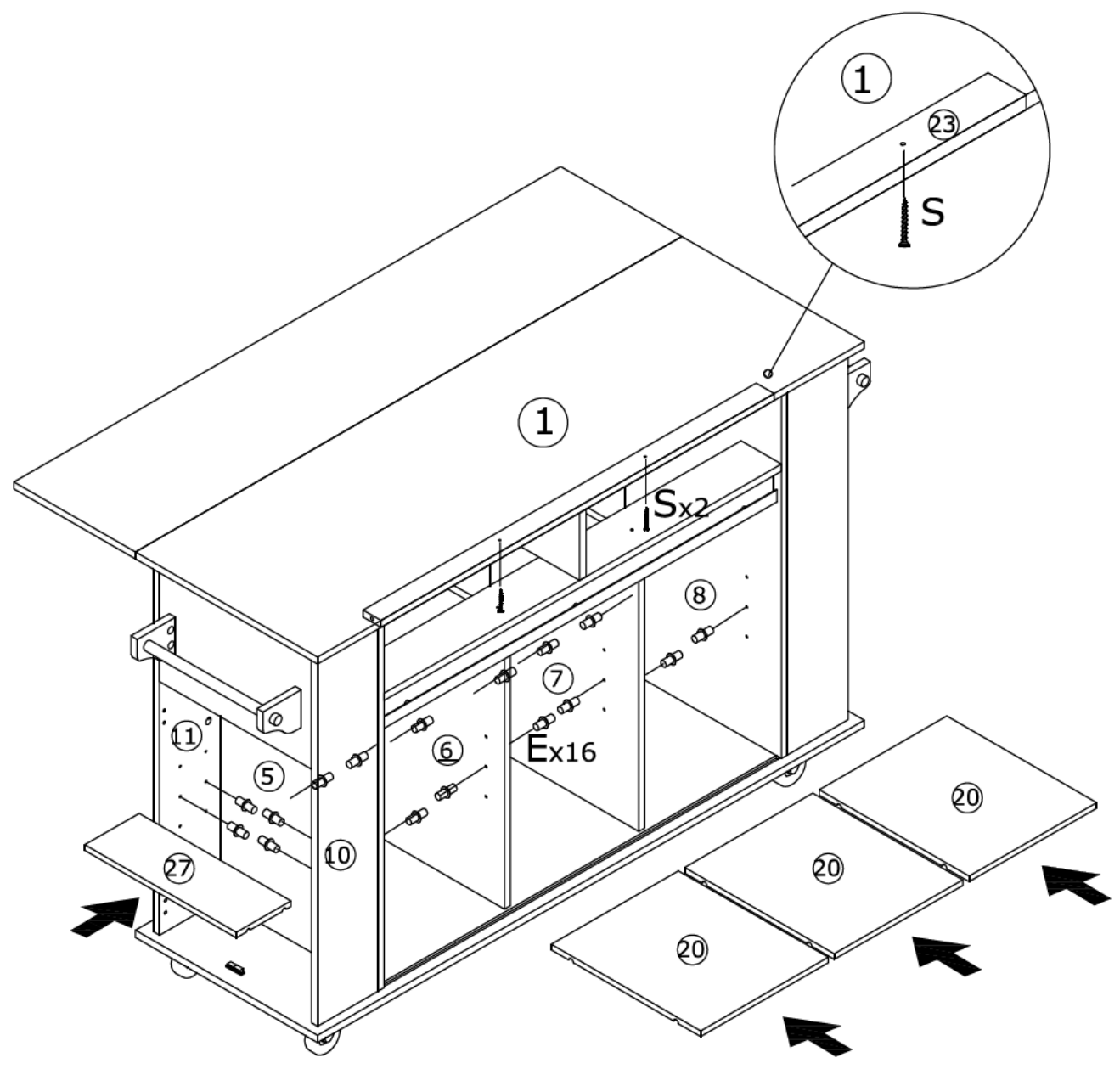
You will need

- | | |
|--|--|
| <p>A</p>  <p>x16</p> | <p>B</p>  <p>x16</p> |
| <p>C</p>  <p>x16</p> | |









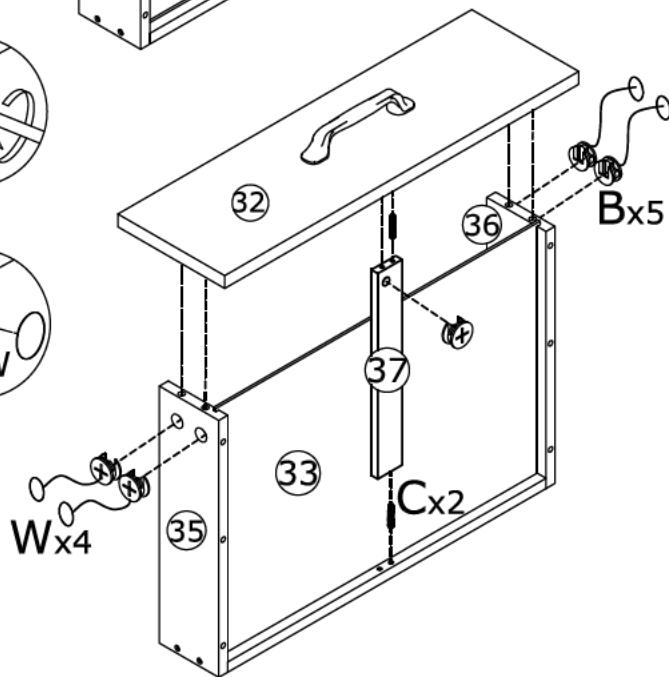
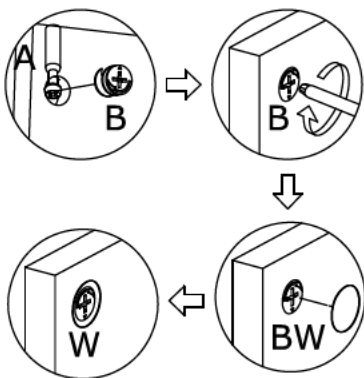
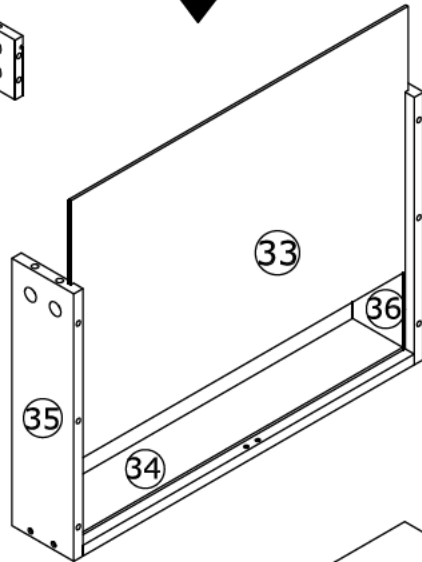
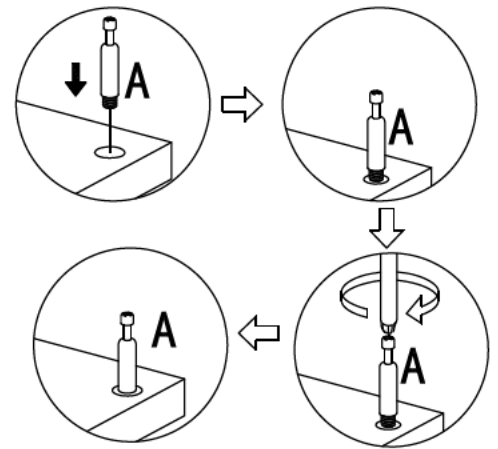
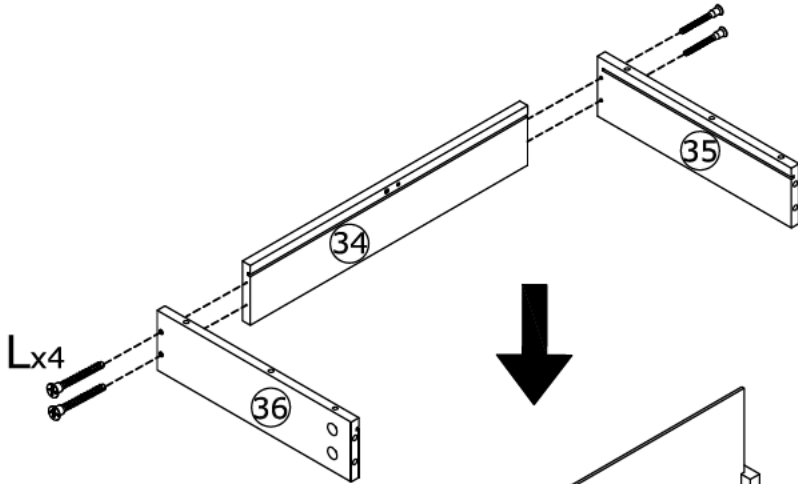
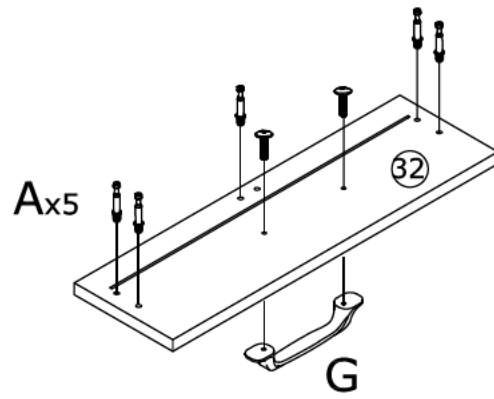
You will need

E  x16	S  4x25mm x2
--	---





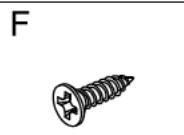

You will need

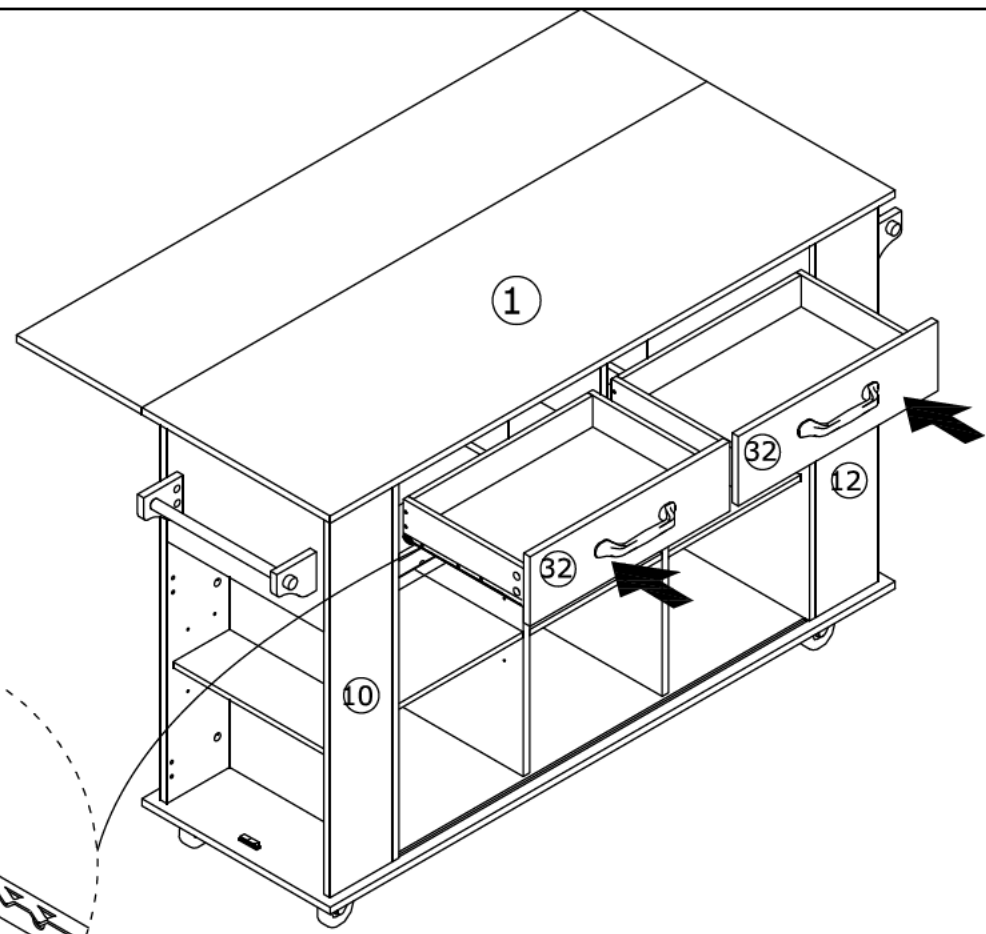
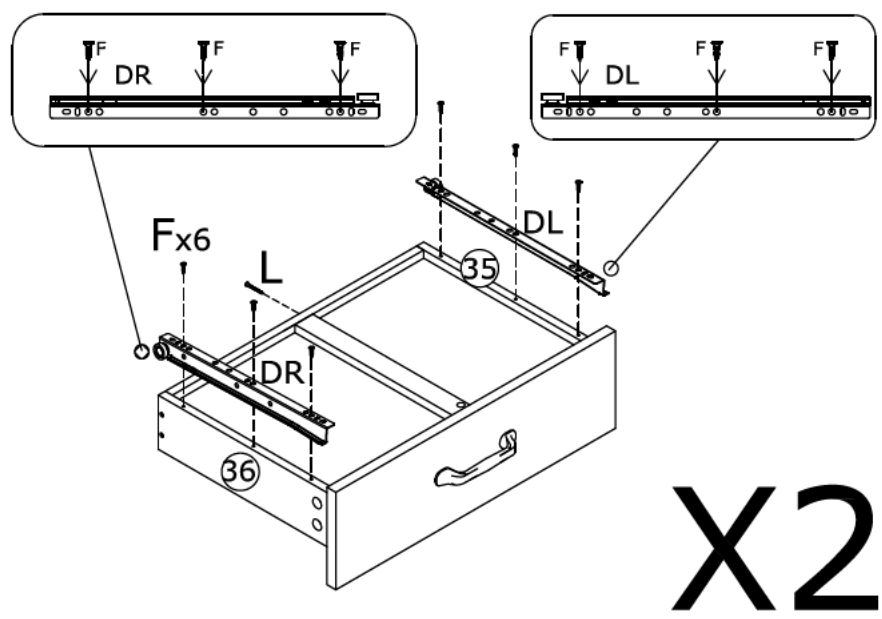
<p>B</p>  <p>x10</p>	<p>A</p>  <p>x10</p>	<p>L</p>  <p>5x40mm x8</p>
<p>G</p>  <p>x2</p>	<p>W</p>  <p>x8</p>	<p>C</p>  <p>x4</p>



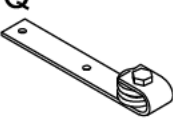




X2

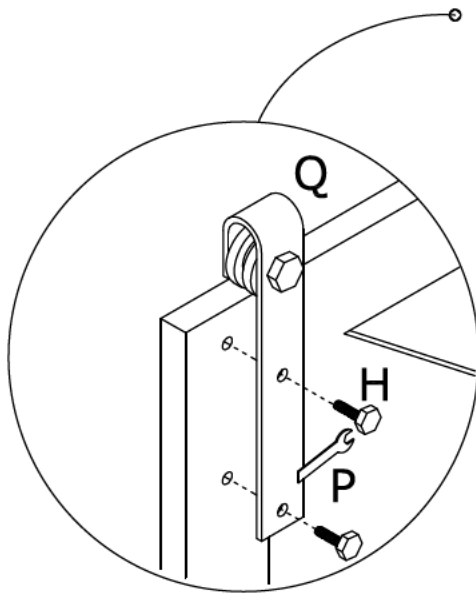
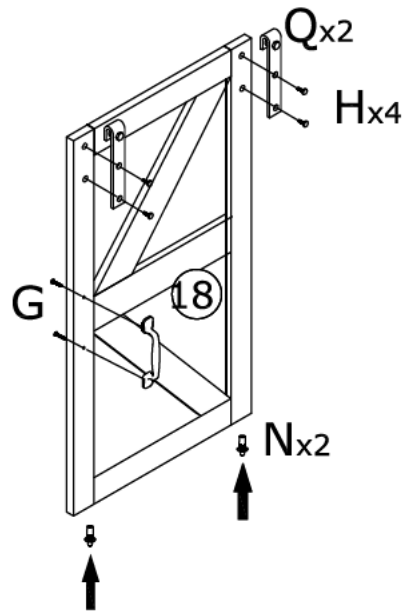
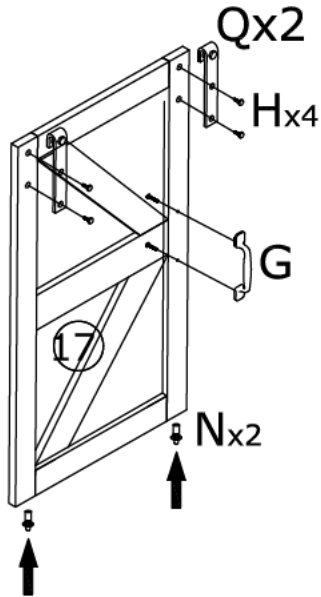
You will need

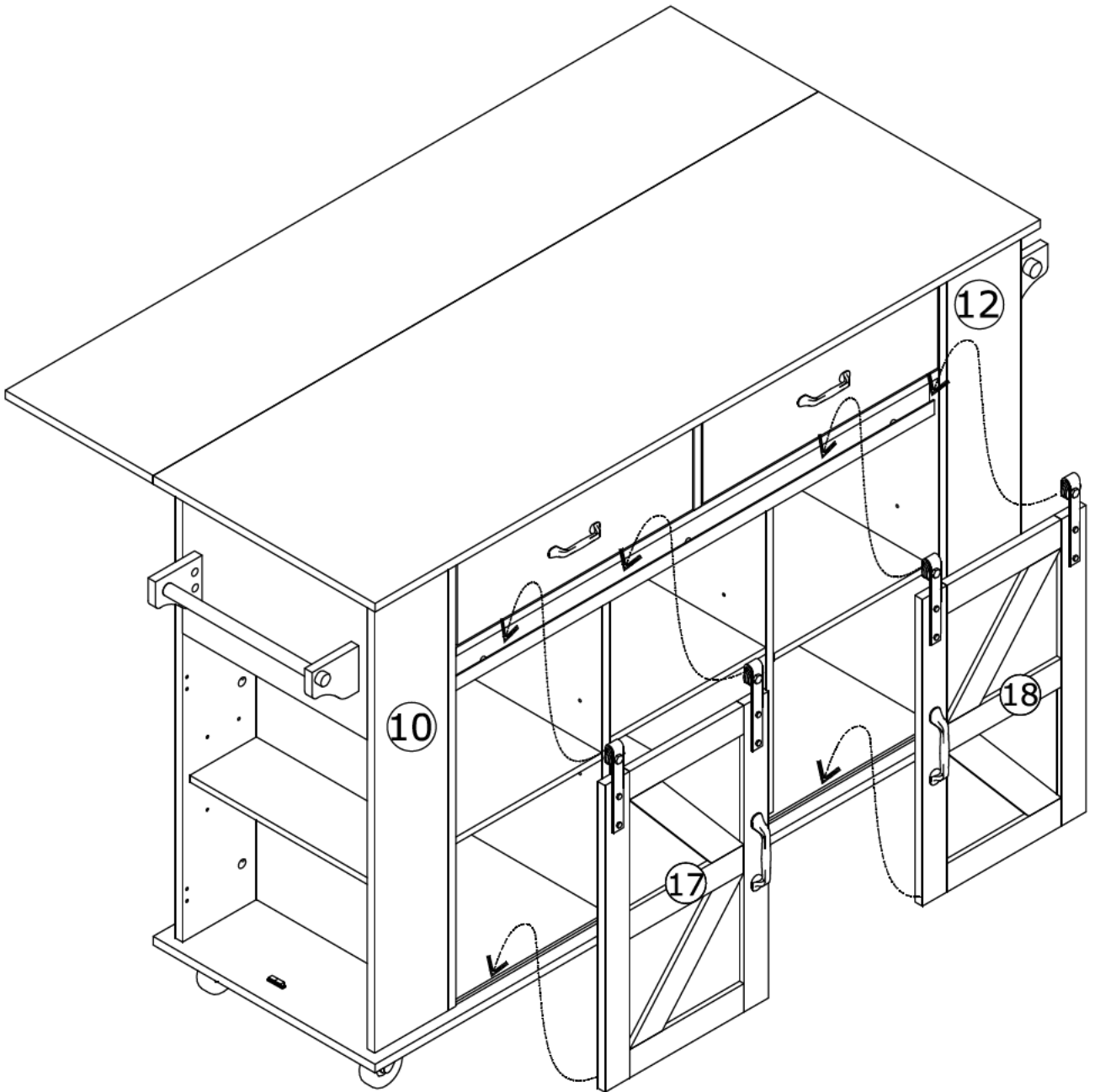
DL  x2	DR  x2
F  x12	L  5x40mm x2



You will need

<p>Q</p>  <p>x4</p>	<p>H</p>  <p>x8</p>
<p>G</p>  <p>x2</p>	<p>P</p> 
<p>N</p>  <p>x4</p>	





You will need

F



x12

U



x4

G



x2

