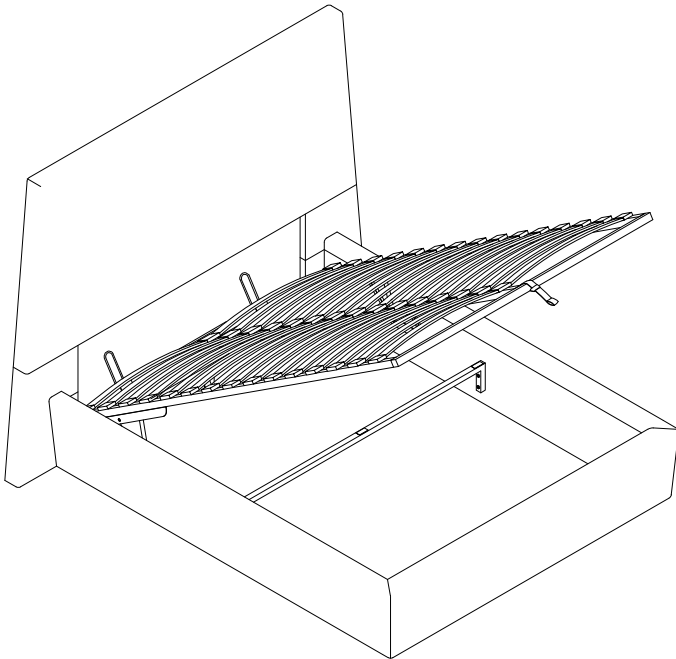


# ASSEMBLY INSTRUCTION

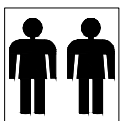


Please **TEAR OFF** this shrink film from side!  
**DO NOT USE CUTTER!**

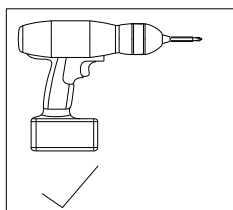
ITEM NUMBER: BH011

## IMPORTANT NOTE

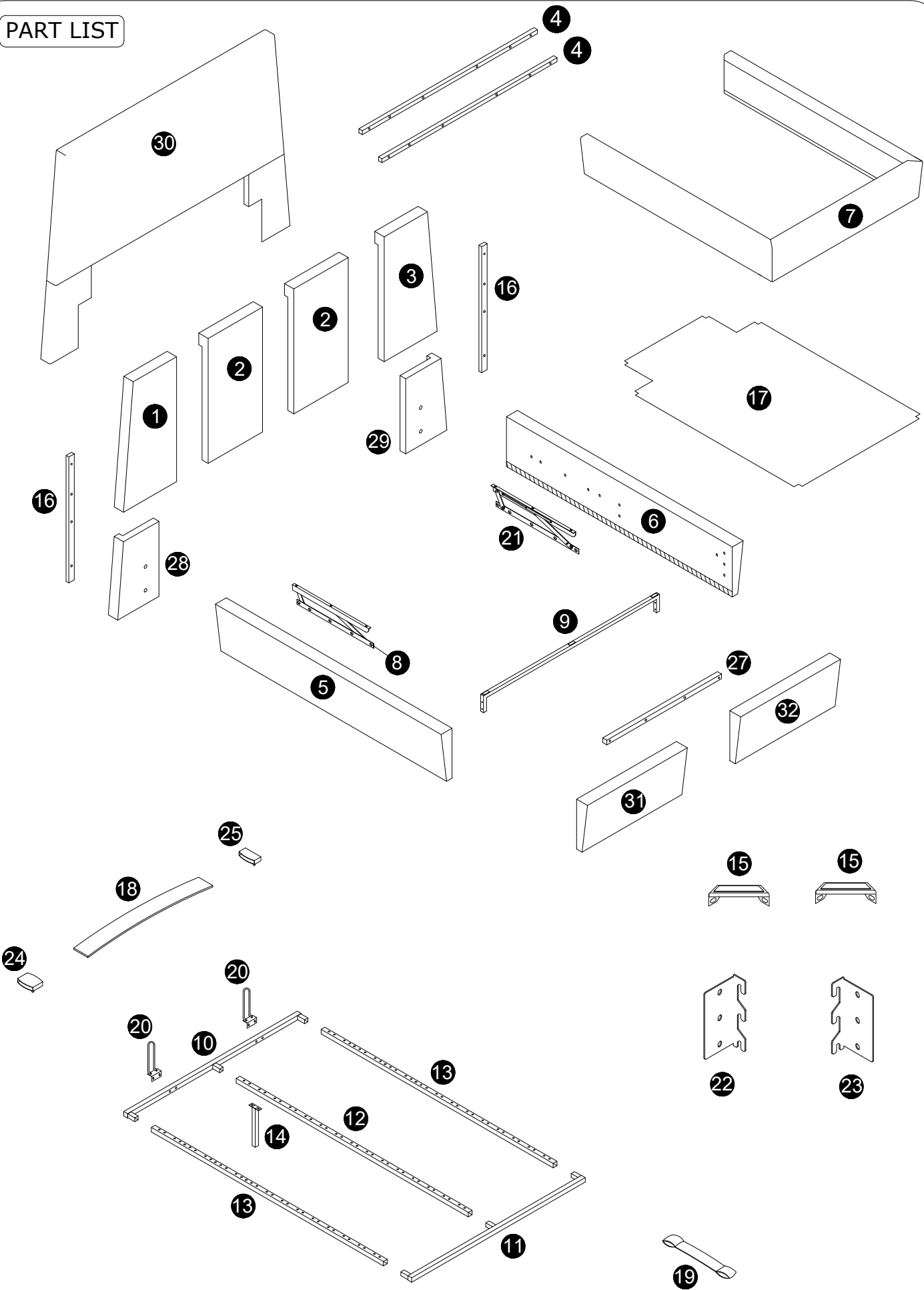
- 1. The product is shipped in two packages. Please check the number of packages received before assembly. If you are missing one package, receive a duplicate package, or have any assembly or after-sales issues, please contact [support@velocavabed.com](mailto:support@velocavabed.com)**
2. For the protection of your furniture, place all parts on a clean and smooth surface to prevent any damage.
3. Keep fittings out of children's reach and keep children well away from construction area.
4. When moving your assembled bed, it is best to lift the bed and never to drag it.
5. Do not use this product if parts are missing, damaged or worn.
6. This product should only be used on firm, level ground.
7. Please periodically check all fittings and re-tighten as necessary.
8. Do not use the bed unless all bolts and screws are firmly secured.
9. For further assistance, please provide a screenshot of your order and contact us via email at [support@velocavabed.com](mailto:support@velocavabed.com)



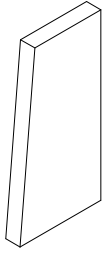
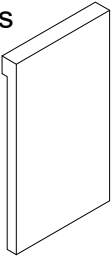
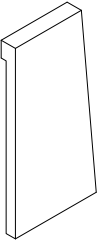
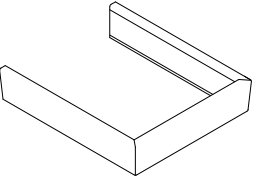
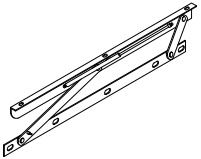
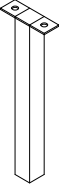

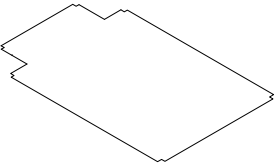
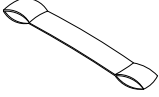
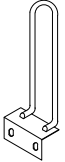
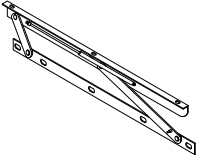


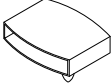
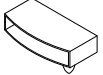
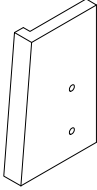
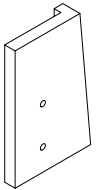
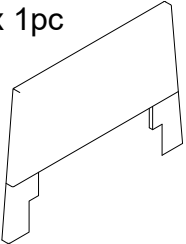
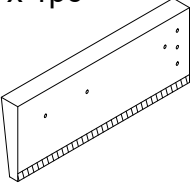
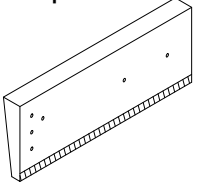
Minimum two  
person assembly



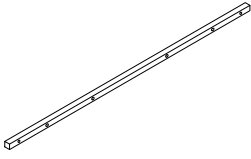
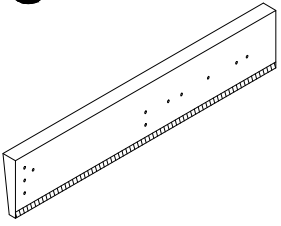
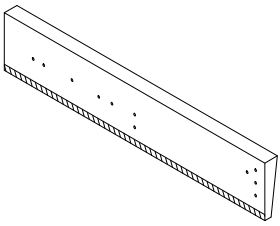
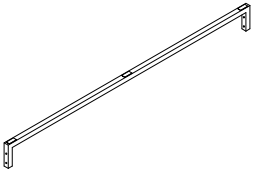
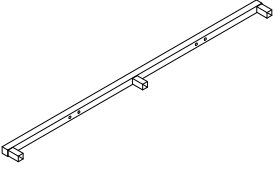
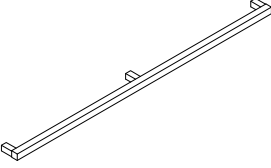
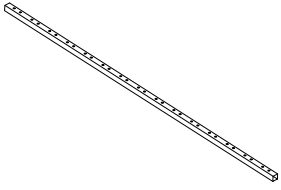
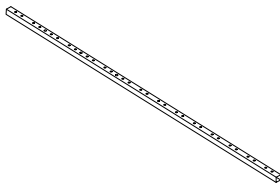

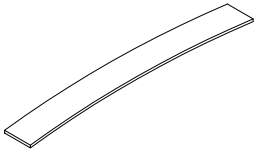
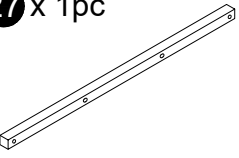
PART LIST









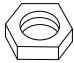


### Components of Carton A

<b>1</b> x 1pc 	<b>2</b> x 2pcs 	<b>3</b> x 1pc 	<b>7</b> x 1pc 	<b>8</b> x 1pc 
<b>14</b> x 1pc 	<b>15</b> x 2pcs 	<b>17</b> x 1pc 	<b>19</b> x 1pc 	<b>20</b> x 2pcs 
<b>21</b> x 1pc 	<b>22</b> x 1pc 	<b>23</b> x 1pc 	<b>24</b> x 15pcs 	<b>25</b> x 30pcs 
<b>28</b> x 1pc 	<b>29</b> x 1pc 	<b>30</b> x 1pc 	<b>31</b> x 1pc 	<b>32</b> x 1pc 

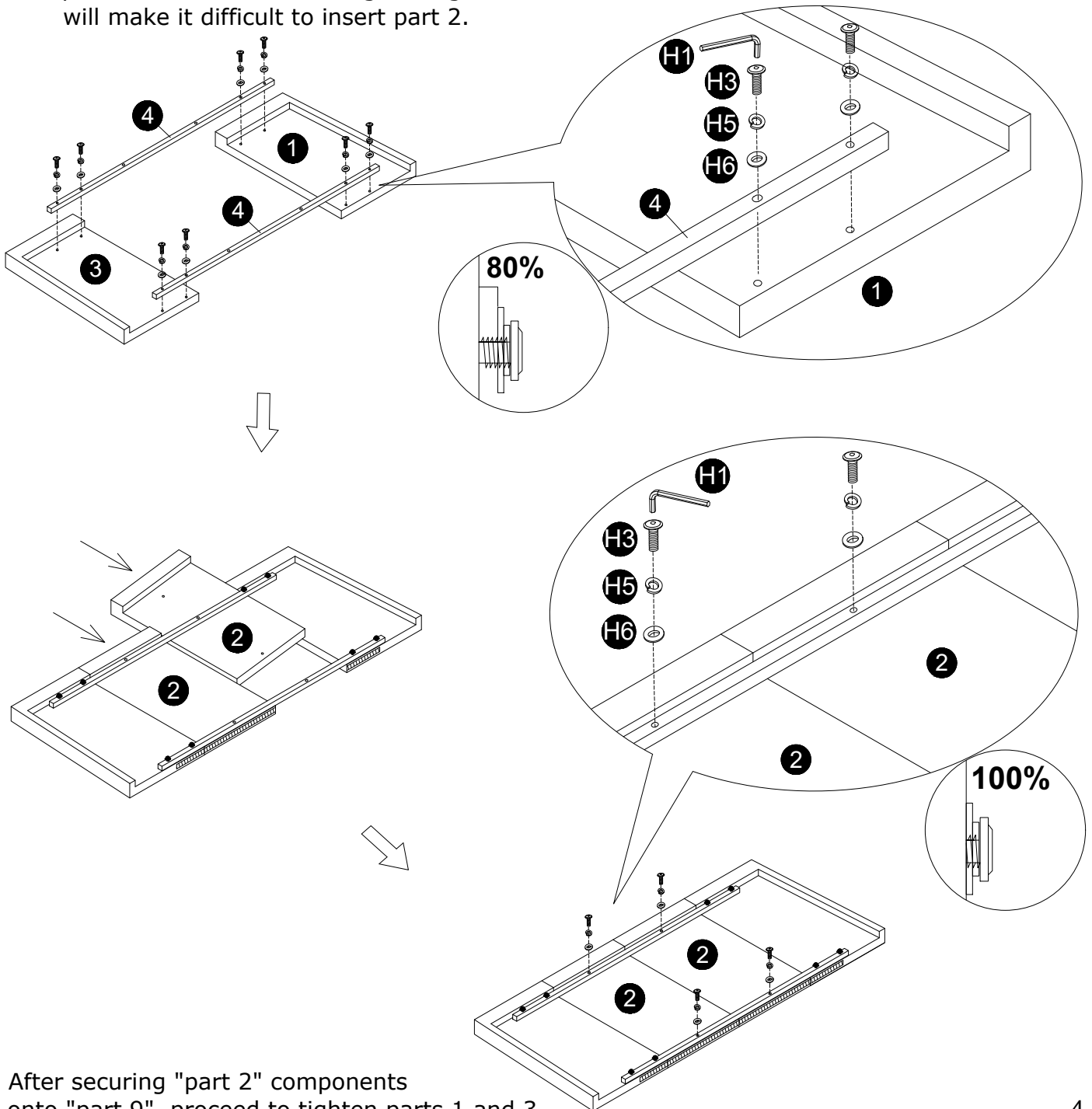
### Components of Carton B

<b>4</b> x 2pcs 	<b>5</b> x 1pc 	<b>6</b> x 1pc 	<b>9</b> x 1pc 	<b>10</b> x 1pc 
<b>11</b> x 1pc 	<b>12</b> x 1pc 	<b>13</b> x 2pcs 	<b>16</b> x 2pcs 	<b>18</b> x 30pcs 
<b>27</b> x 1pc 				

## HARDWARE LIST

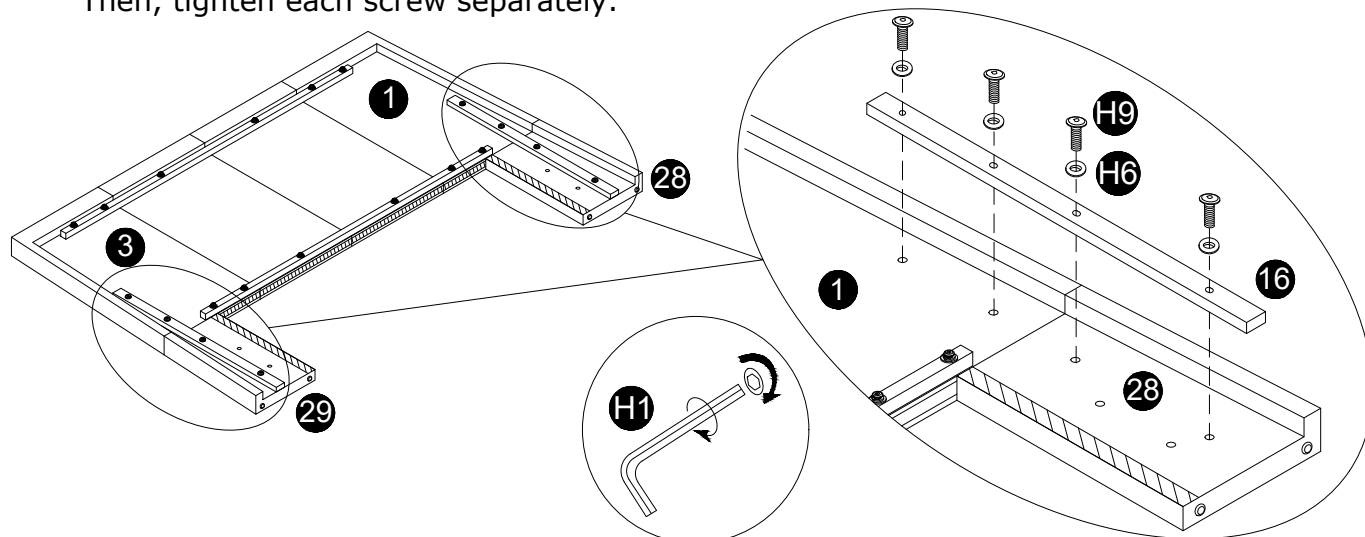
 <b>H1</b> M5 x 1pc	 <b>H2</b> M8x25mm x 44pcs	 <b>H3</b> M8x50mm x 22pcs	 <b>H4</b> M8x60mm x 8pcs	 <b>H5</b> M8 x 16pcs
 <b>H6</b> M8x22mm x 28pcs	 <b>H7</b> M8 x 6pcs	 <b>H8</b> M14 x 1pc	 <b>H9</b> M8x40mm x 8pcs	

- 1** Loosely screw parts 1, 3 and 4 together to facilitate inserting part 2 between 1 and 3. Tightening the screws too much will make it difficult to insert part 2.

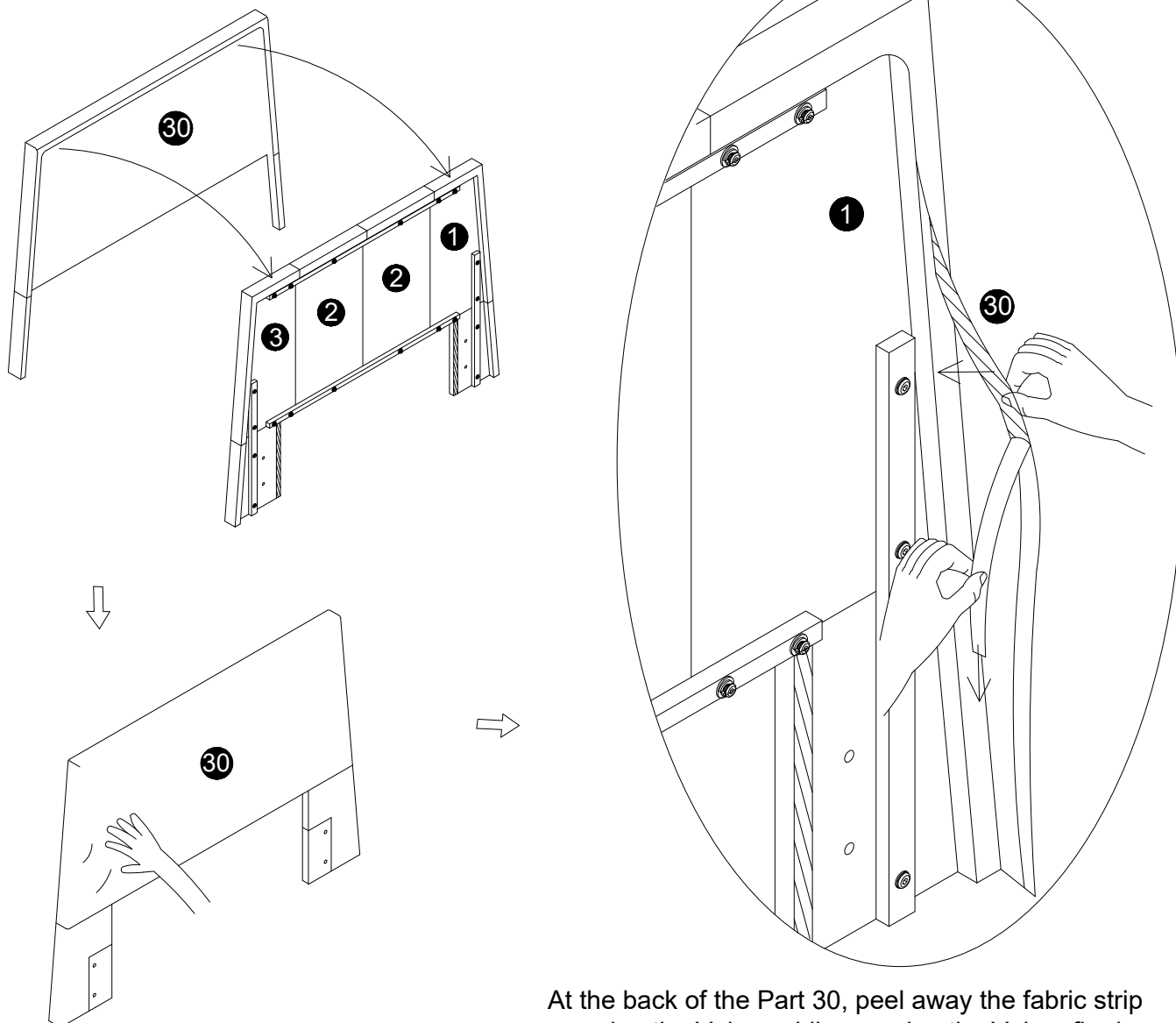


After securing "part 2" components onto "part 9", proceed to tighten parts 1 and 3.

**2** As shown in the diagram, align the screws with the corresponding holes and pre-fix them. Then, tighten each screw separately.



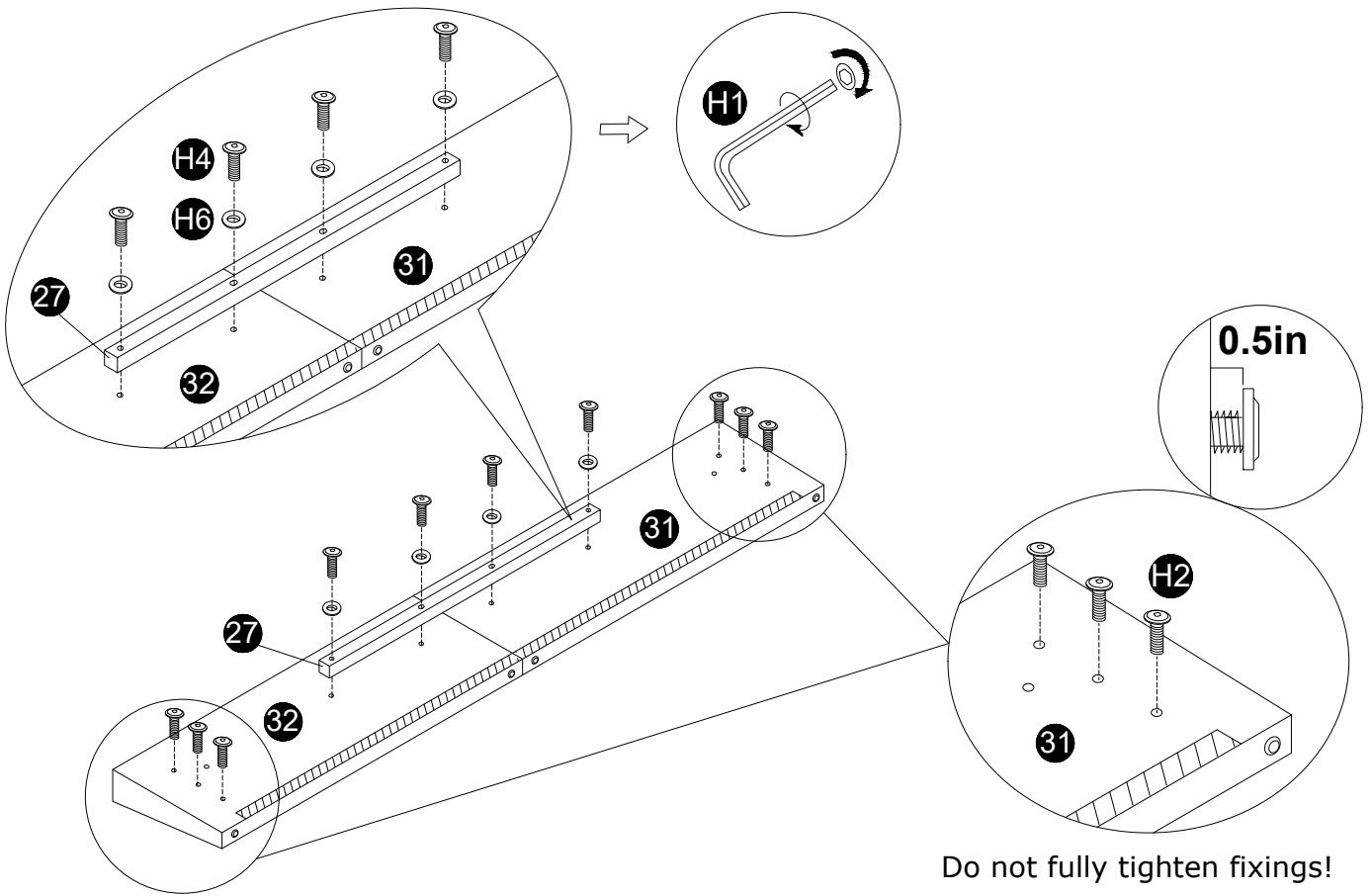
**3** Slide the fabric cover (Part 30) over the headboard until it reaches the bottom, ensuring a full and secure fit.



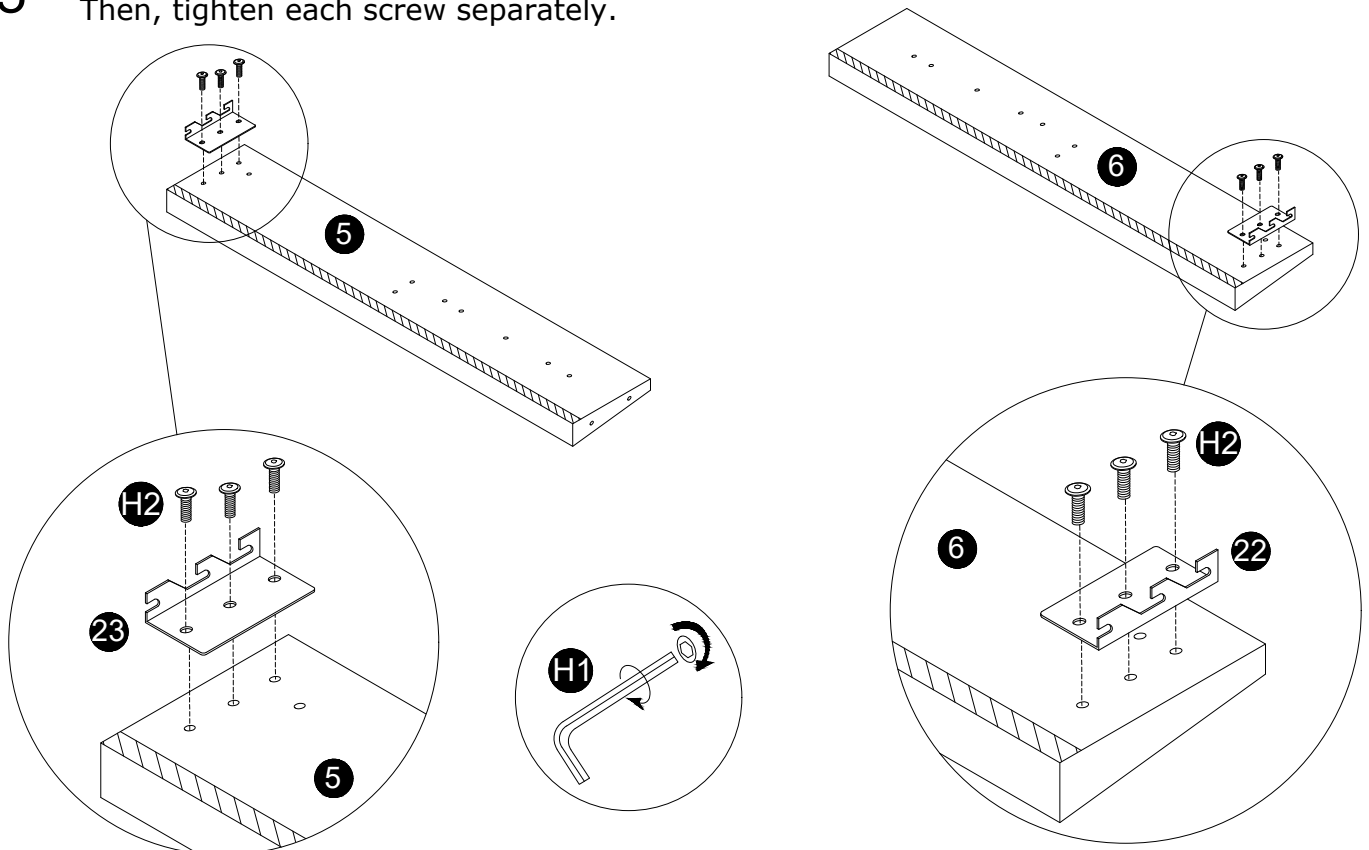
Smooth out any uneven areas or wrinkles by hand for a neat appearance.

At the back of the Part 30, peel away the fabric strip covering the Velcro while pressing the Velcro firmly onto the headboard.

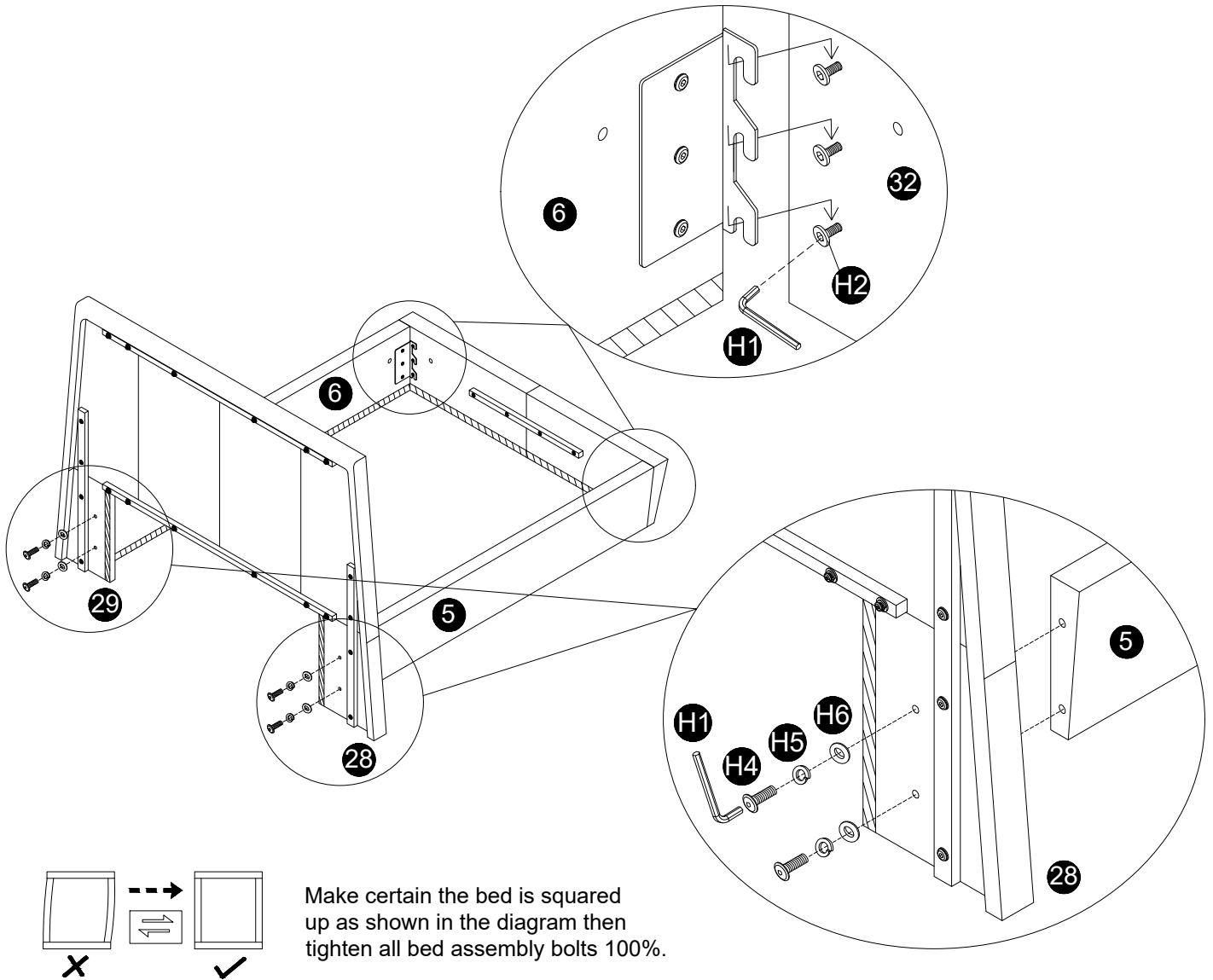
- 4** As shown in the diagram, align the screws with the corresponding holes and pre-fix them. Then, tighten each screw separately.



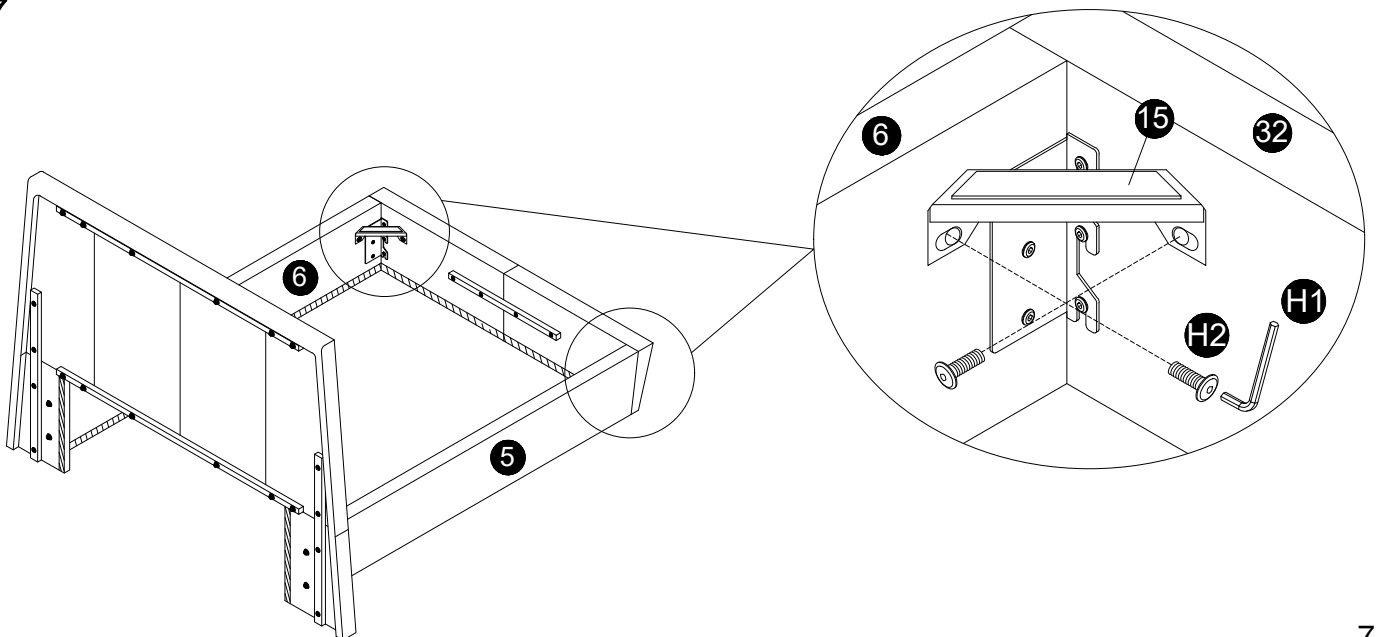
- 5** As shown in the diagram, align the screws with the corresponding holes and pre-fix them. Then, tighten each screw separately.



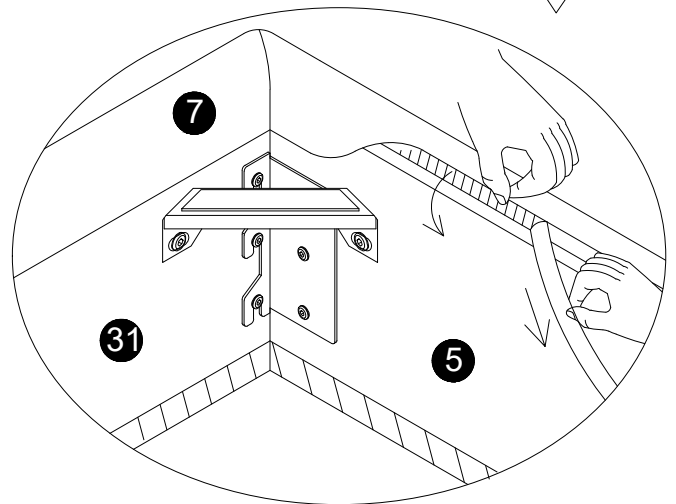
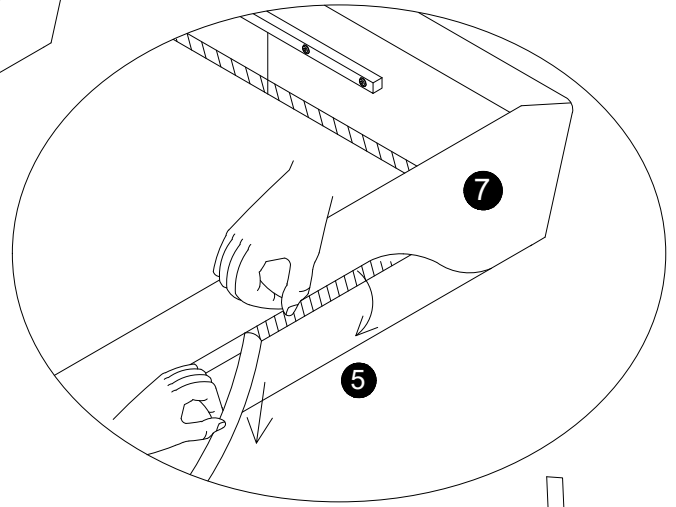
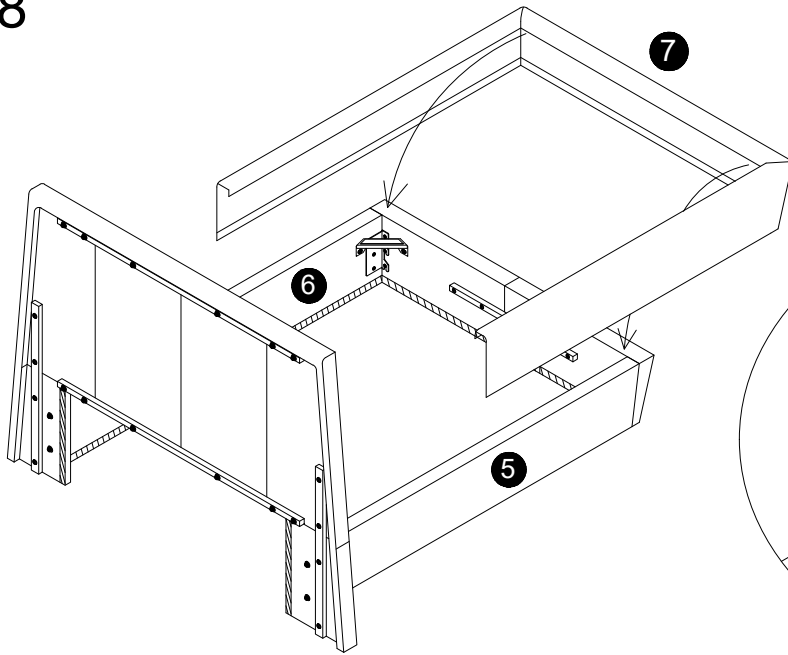
**6** As shown in the diagram, align the screws with the corresponding holes and pre-fix them. Then, tighten each screw separately.



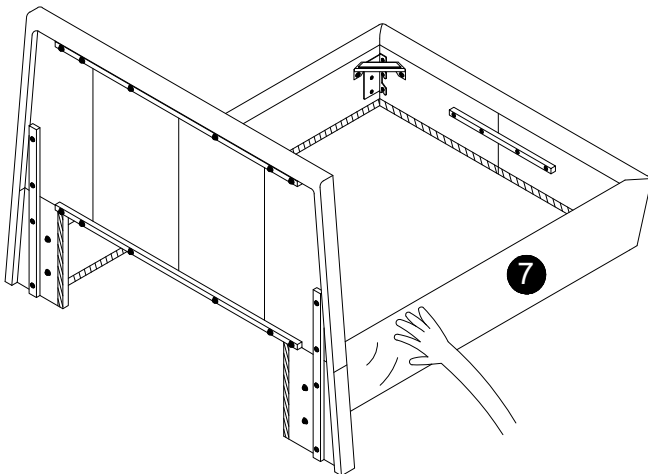
**7**



8

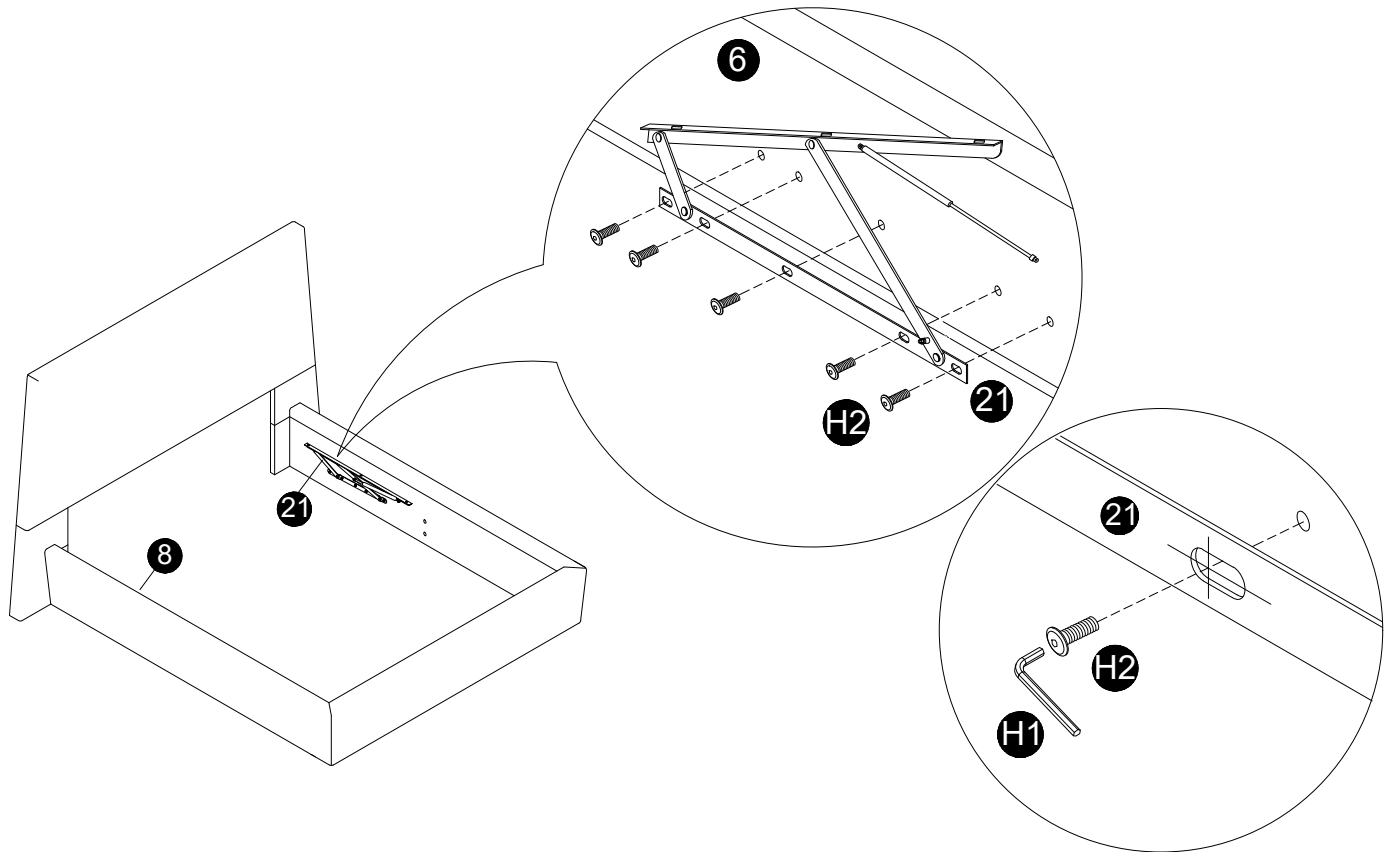


At the back of the Part 7, peel away the fabric strip covering the Velcro while pressing the Velcro firmly onto the footboard and side rail.

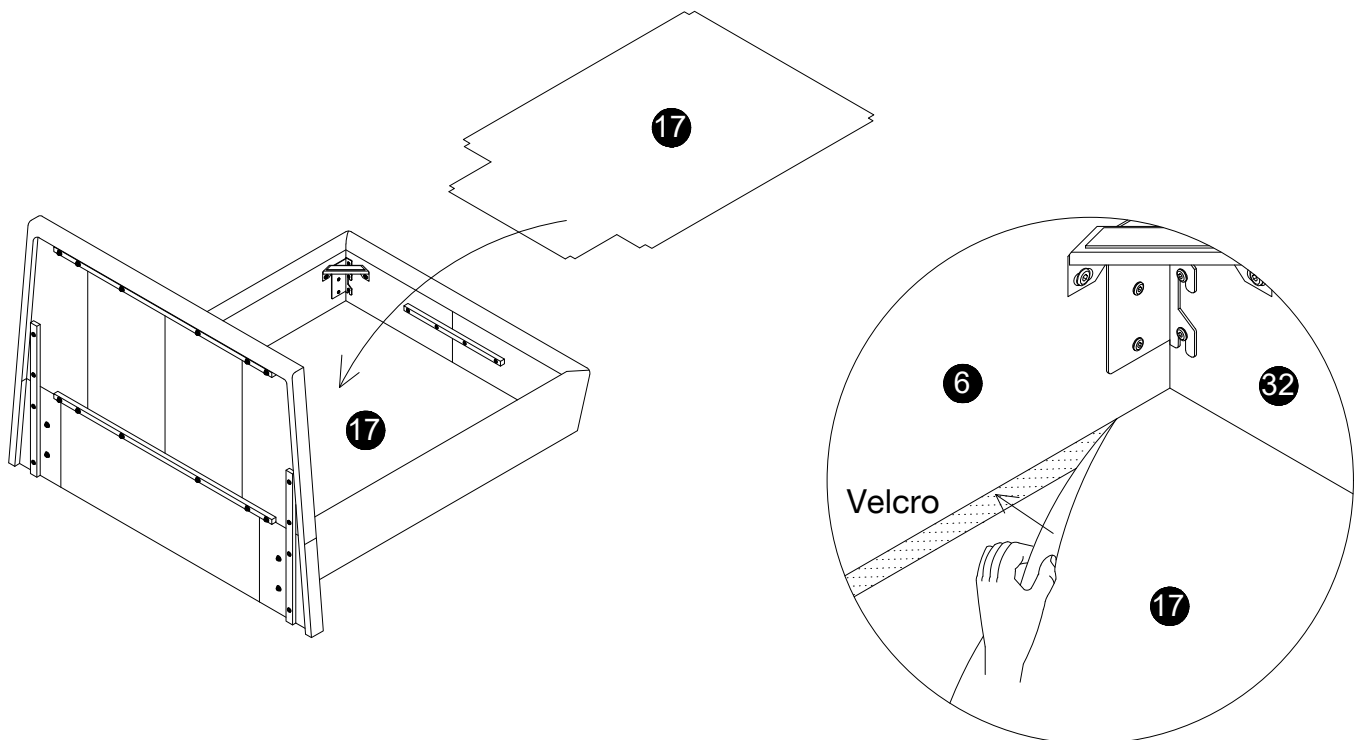


Smooth out any uneven areas or wrinkles by hand for a neat appearance.

- 9 As shown in the diagram, align the screws with the corresponding holes and pre-fix them. Then, tighten each screw separately.

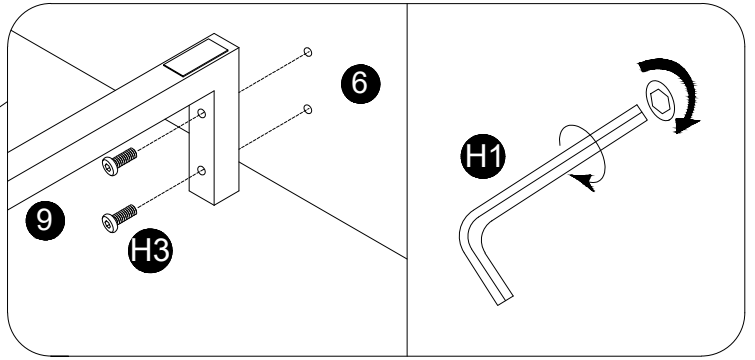
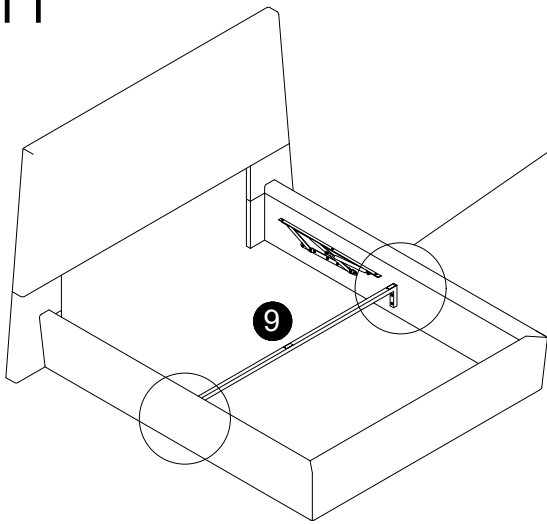


10

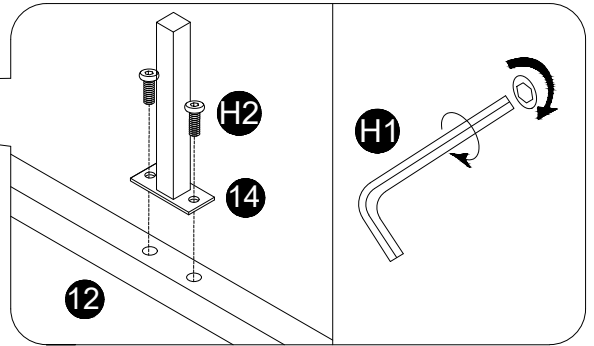
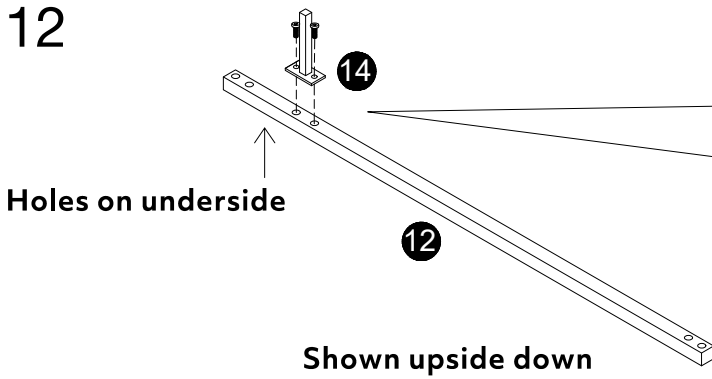


Locate fabric base into position using the velcro strips around the inside of the frame.

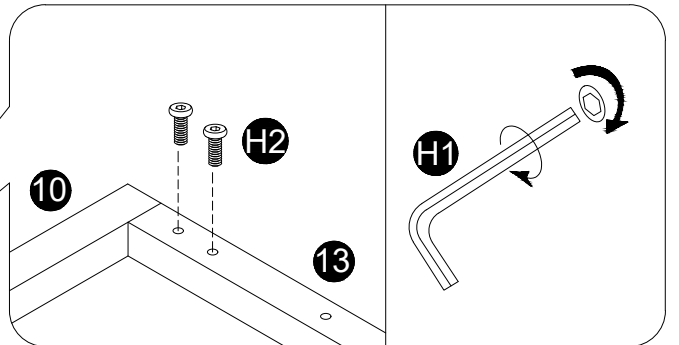
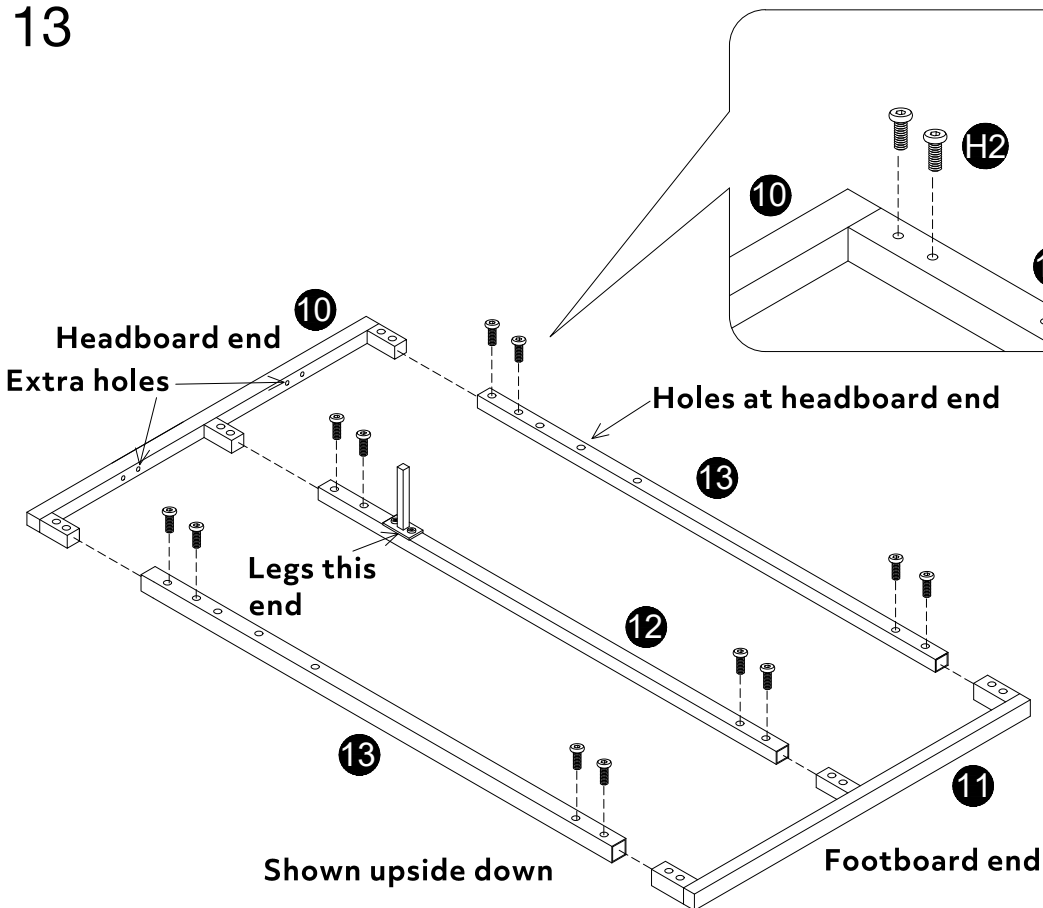
11



12

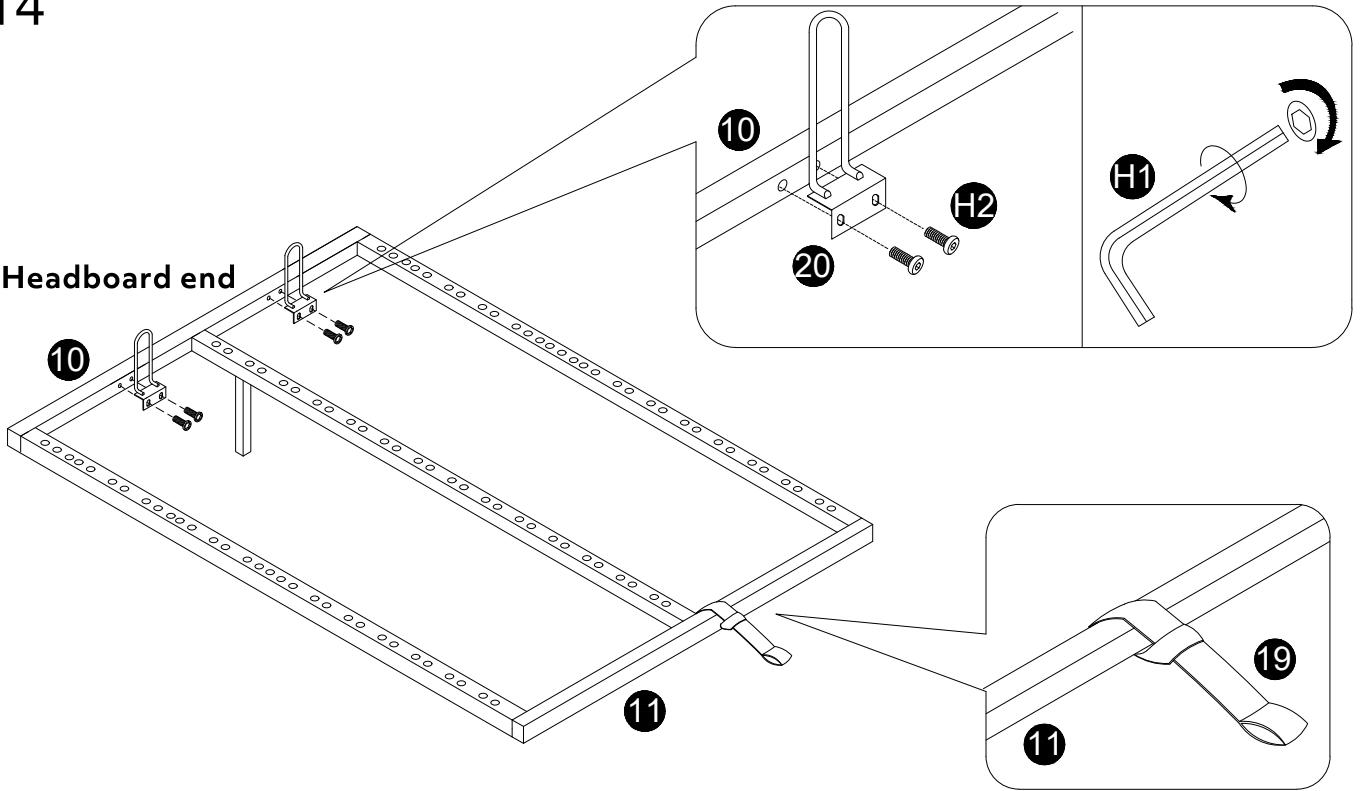


13



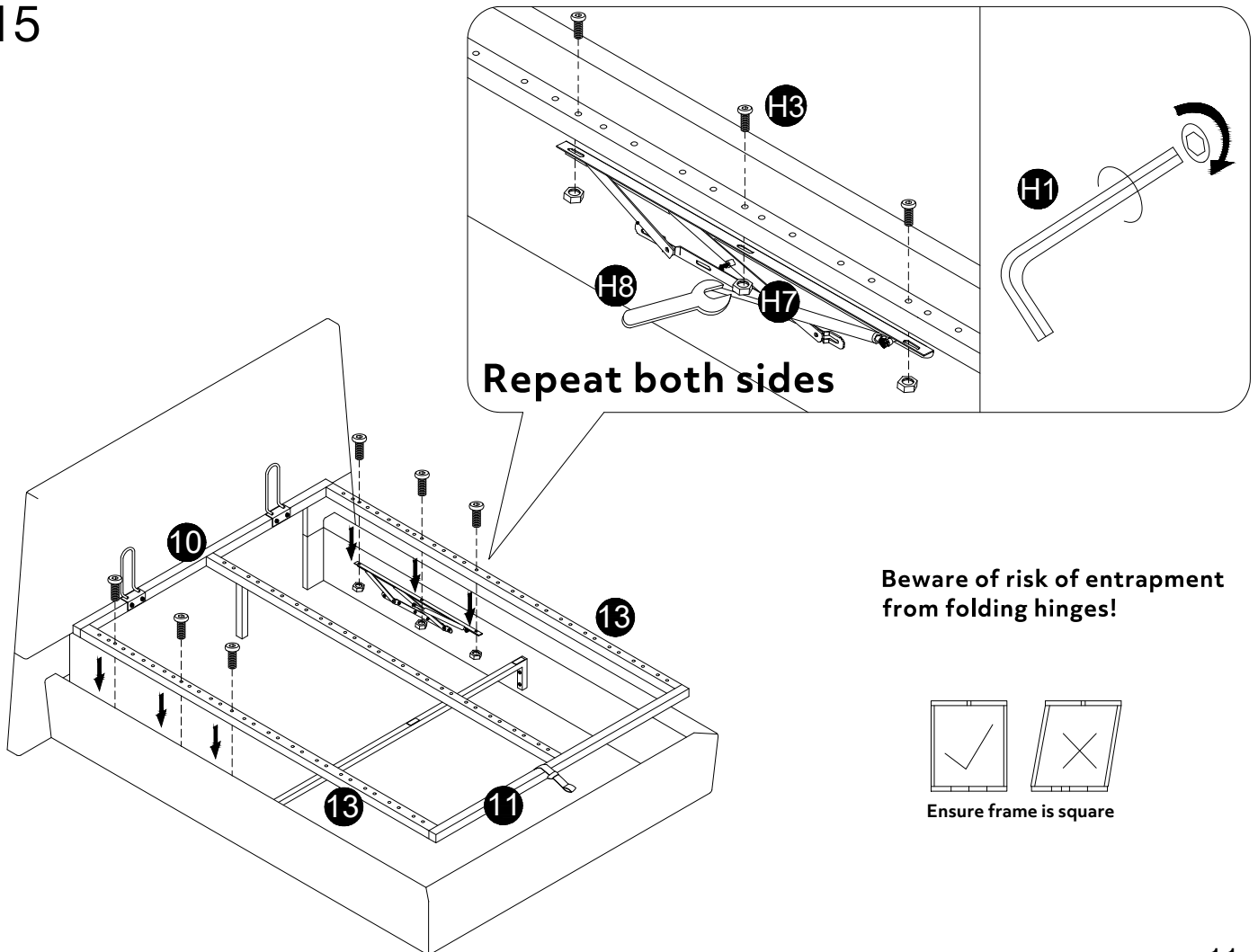
14

Headboard end

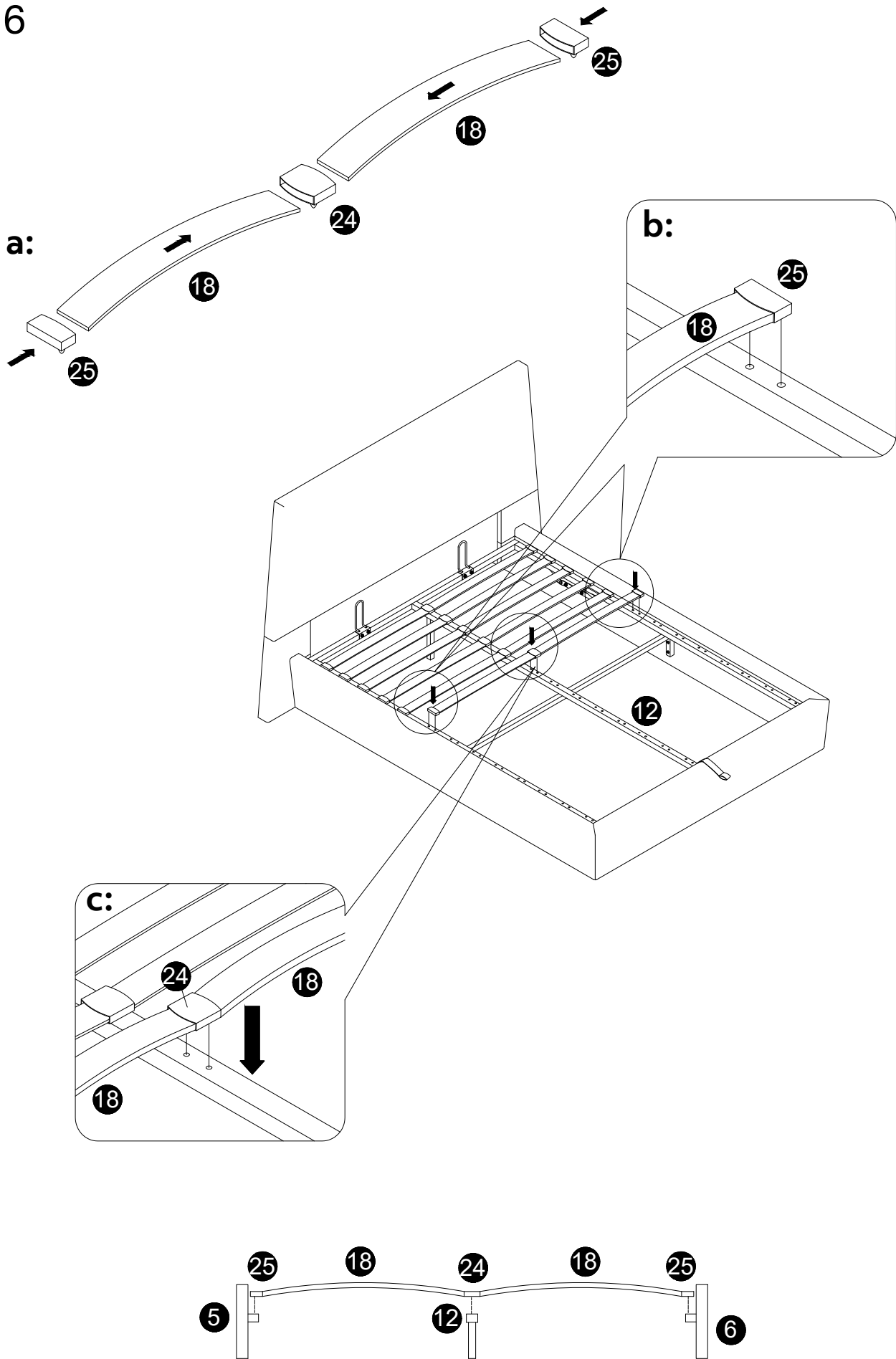


15

Repeat both sides

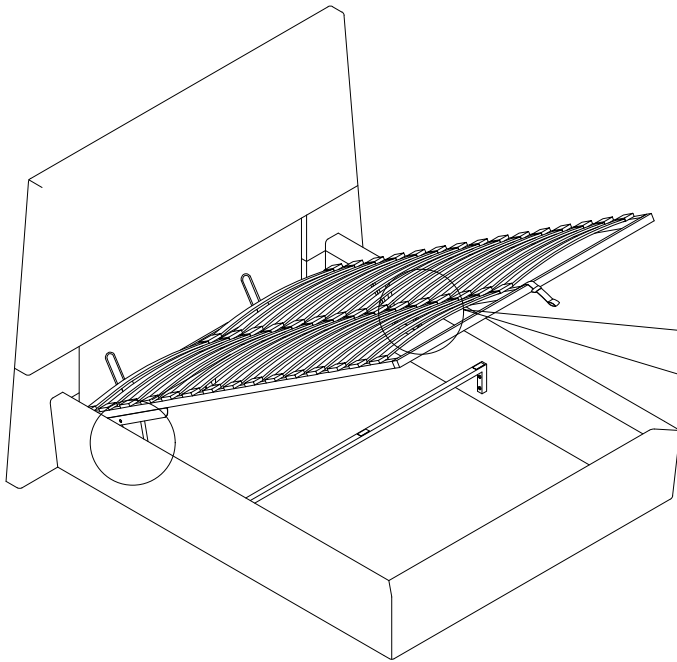


16

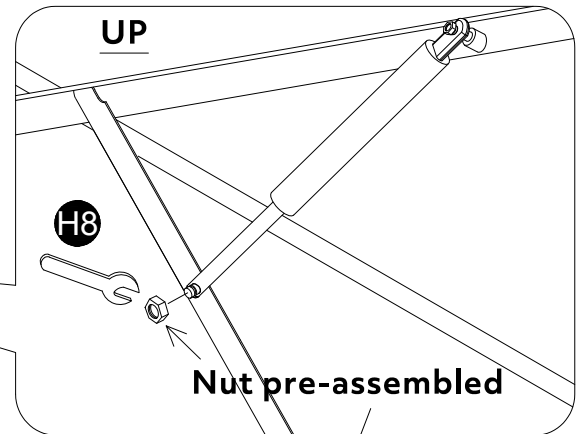


Slats to arch upwards

17



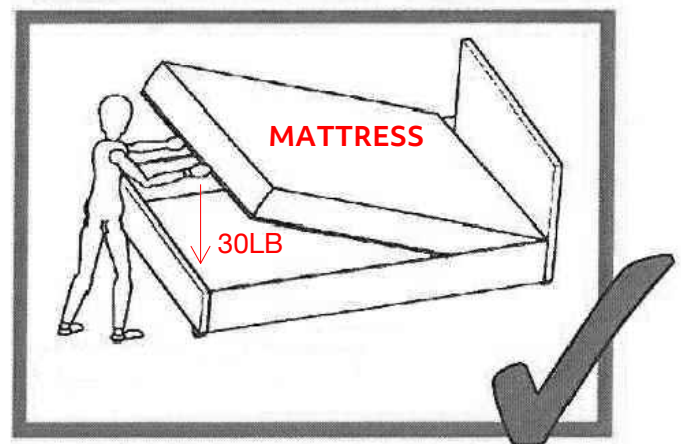
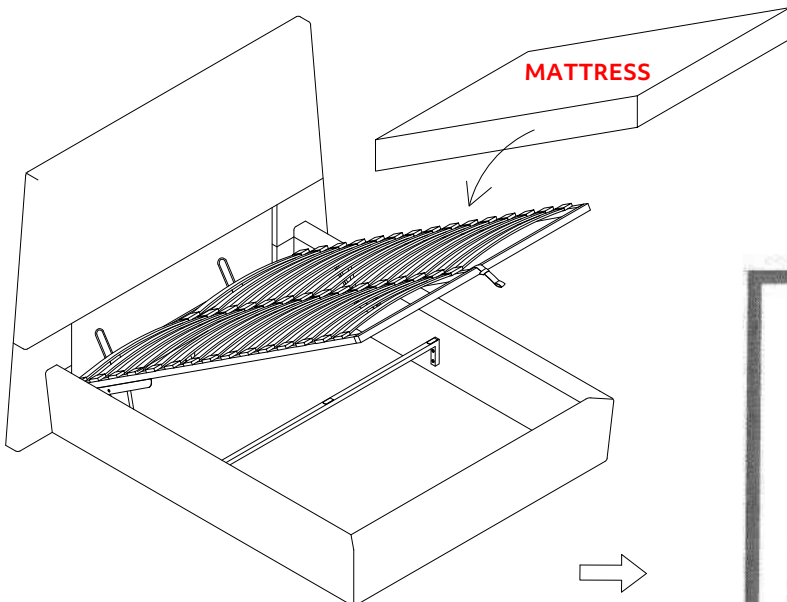
**Warning: Two people required. Frame to be fully supported at all times!**



**Repeat both sides**

**Important:** Before proceeding, check and ensure all screws and fixings are fully tightened.

18



 **Place the mattress on frame & Carefully lower the frame down. Keep objects/body part & children away from moving parts.**