

## ASSEMBLY INSTRUCTIONS



**CAUTION**

- ◆ Inspect the wire insulation for any cuts, abrasions, or exposed copper that may have resulted during shipping. If there is a defect in the wire, do not attempt installation.
- ◆ Before starting installation of this fixture or removal of a previous fixture, disconnect the power by turning off the circuit breaker or by removing the fuse at the fuse box.

## TOOLS REQUIRED



Ladder

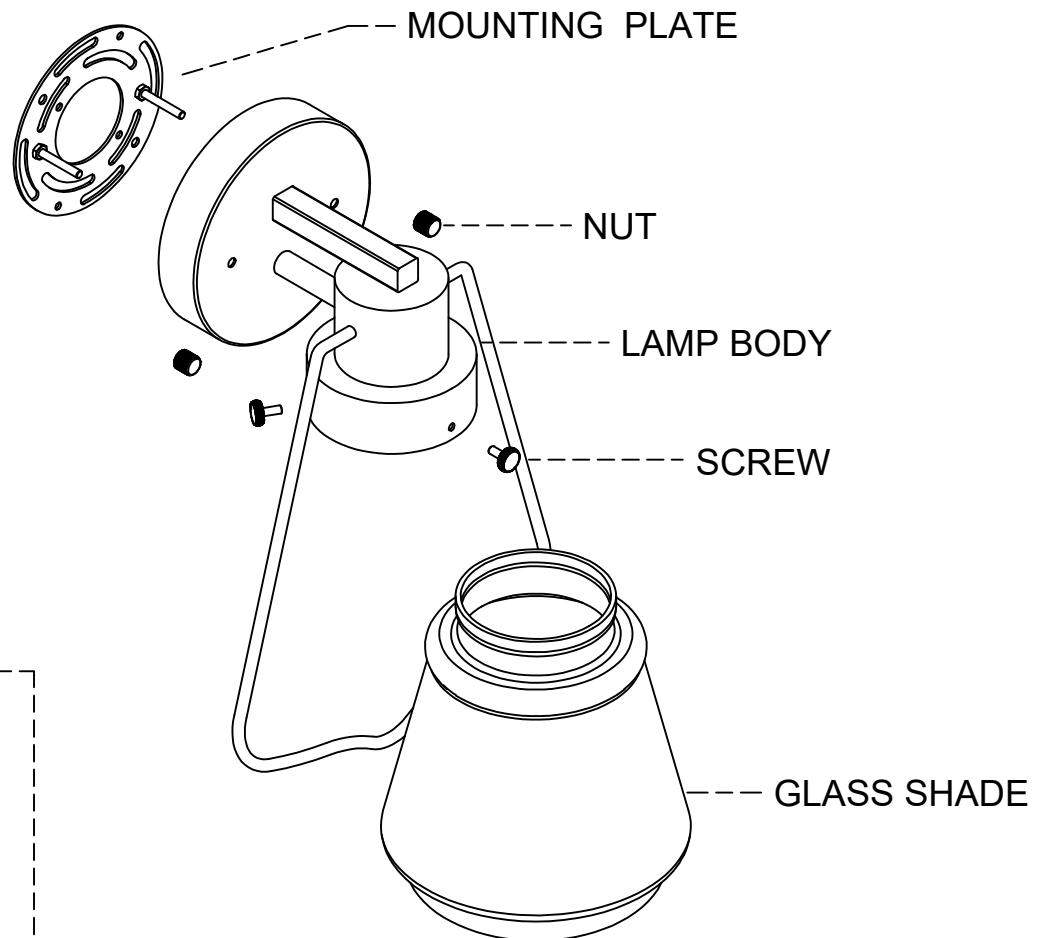


Safety  
glasses

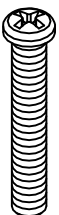


Phillips  
screwdriver

**PARTS SHOWN MAY DIFFER SLIGHTLY PER LIGHT FIXTURE**



PART BAG

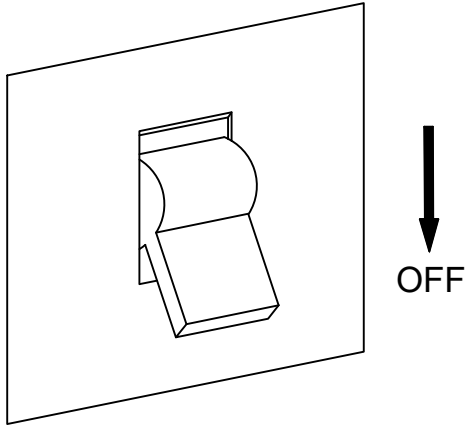


X2

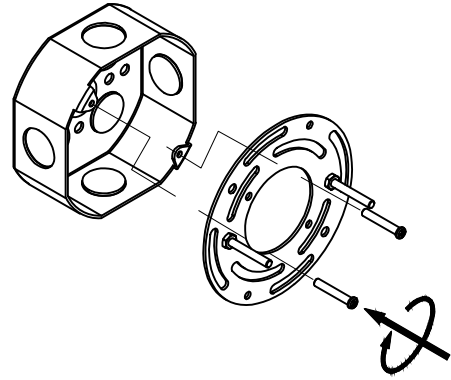


X3

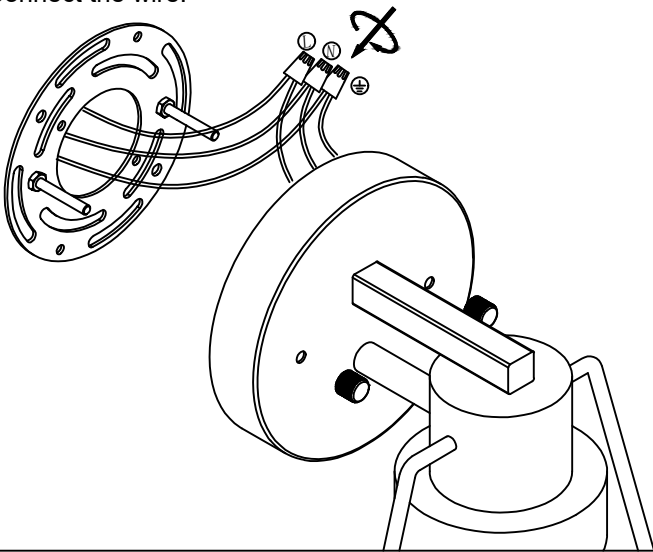
**Step 1**  
Power off



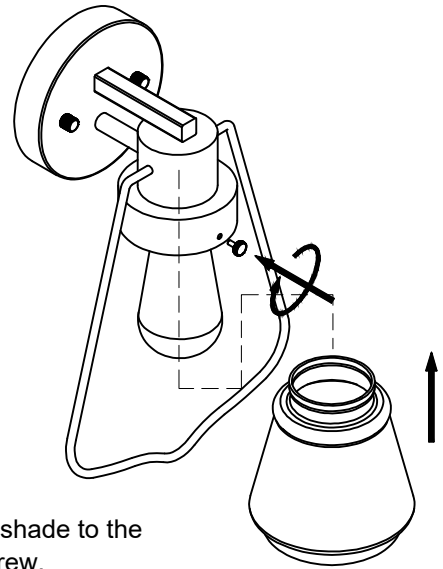
**Step 2**  
Use the mounting screws to attach the mounting plate to the junction box(not included).



**Step 3**  
Connect the wire.

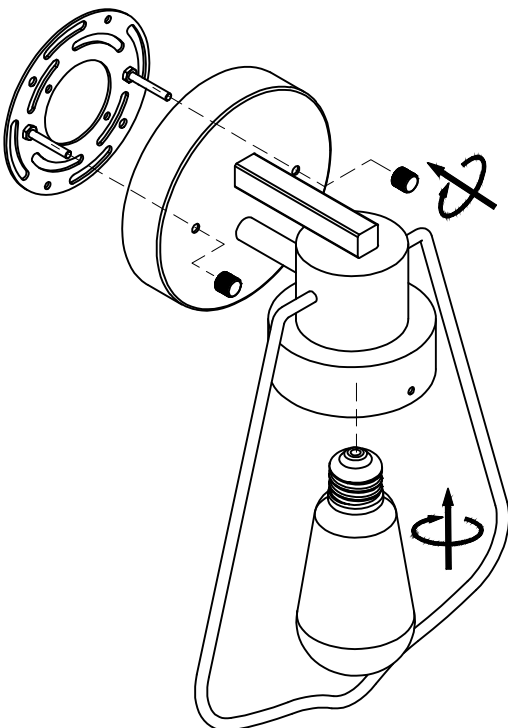


**Step 5**



attach the glass shade to the body with the screw.

**Step 4**  
attach the wall sconce to the mounting plate.  
Install the bulb(not included).



**OUTDOOR SCONCE**

