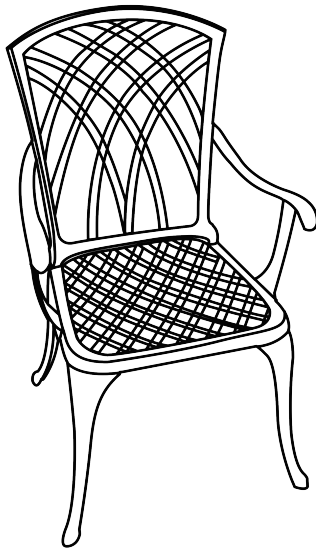
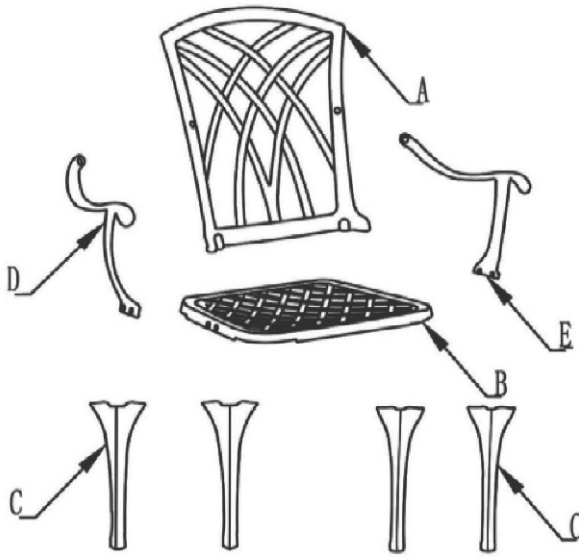
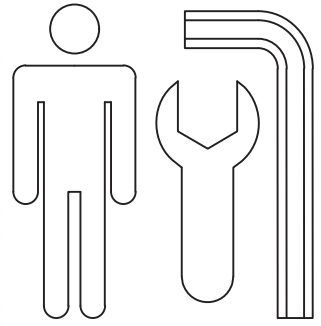


# **INSTRUCTION MANUAL**



**Cast Aluminum Dining Chair**



Part Number	Images and Sizes	Qty.
A		1
B		1
C		4
D		1

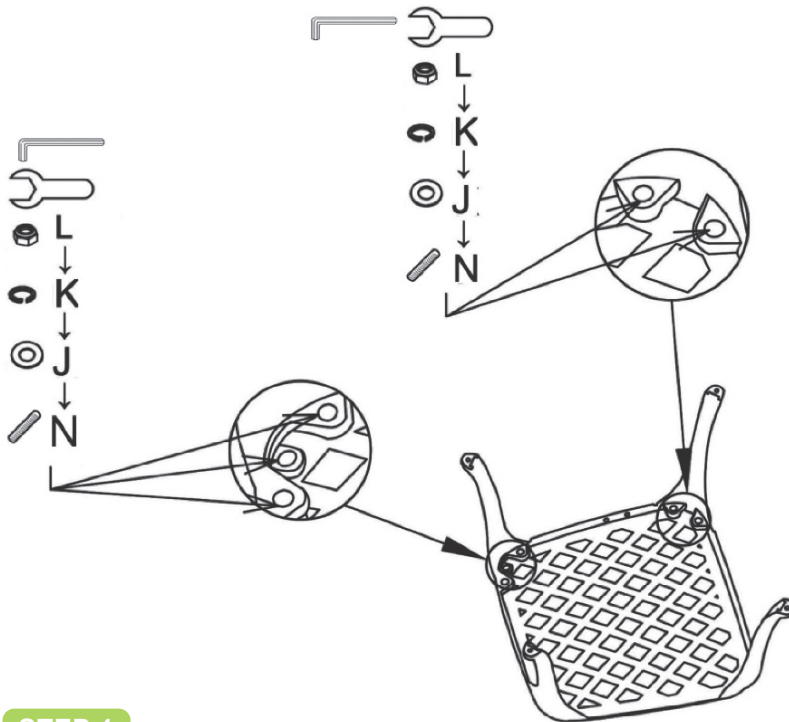
M	M6	2	I	M6	6	E		1
N		10	J	M8	10	F	M6*25	6
			K	M8	10	G	M6	6
			L	M8	10	H	M6	6

## ASSEMBLY INSTRUCTIONS



### CAVEAT

Note: Please only tighten any bolts once all bolts are placed correctly and the product is lying flat. If you tighten one bolt, it may cause other bolts to get out of position.



### STEP 1

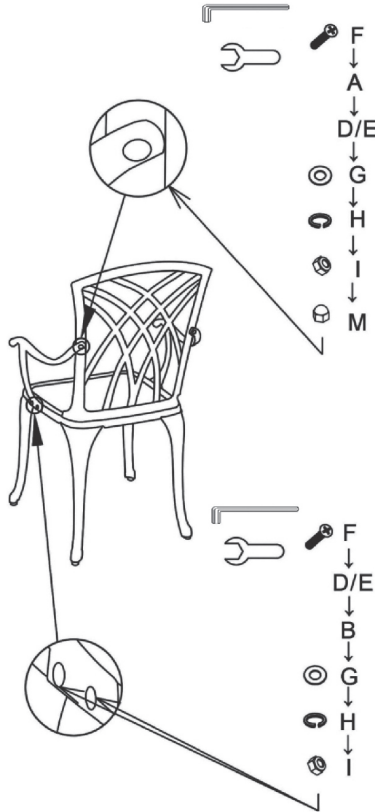
Attach the front and back legs (C) to the chair seat (B) using 5 studs (N), 5 washers (J), 5 spring washers (K) and 5 nuts (L).

Attach the backrest (A) to the chair seat (B) using 5 studs (N), 5 washers (J), 5 spring washers (K) and 5 nuts (L). Do not over-tighten them.

## ASSEMBLY INSTRUCTIONS

### CAVEAT

Note: Please only tighten any bolts once all bolts are placed correctly and the product is lying flat. If you tighten one bolt, it may cause other bolts to get out of position.



### STEP 2

Connect the right and left arm (D, E) and the backrest (A) with 2 bolts (F), 2 washers (G), 2 spring washers (H) and 2 nuts (I).

Connect the right and left arm (D, E) and the chair seat (B) with 4 bolts (F), 4 washers (G), 4 spring washers (H) and 4 nuts (I). Do not over-tighten them.

Upon completing the entire assembly and bolting up, you can tighten down all screws, and place the protective caps (M) on all screws.

## **CARE AND MAINTENANCE**

Follow the instructions for the product's material to ensure it stays in the best shape as long as possible. The information below is a general guideline.

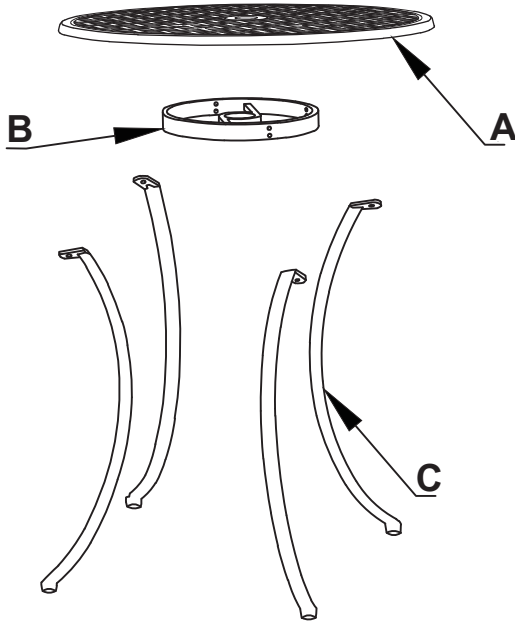
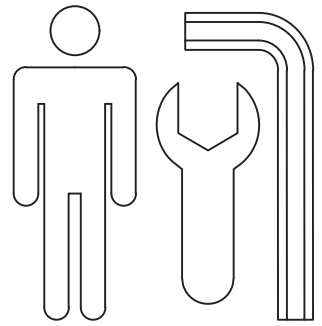
Don't hesitate to get in touch with us to learn more.

- Only rinse it thoroughly with clean water to wash away dirt and grime. Never use abrasive cleansers on the furniture since they can attack the surface and leave behind scratch marks.
- For stubborn grime and stains, use a soft sponge and mild soapy water. Then dry it with a cloth or paper towel.
- Check the stability of the screws, nuts, and nut caps before each use. Then, tighten them up after one to two months' use whenever required.
- Avoid improper use, and be careful not to scratch or damage the surface with sharp objects.
- When you move your furniture, lift it rather than pulling or pushing it to avoid damaging the floor, legs, and mounting.

# INSTRUCTION MANUAL



**Cast Aluminum Round Dining Table**



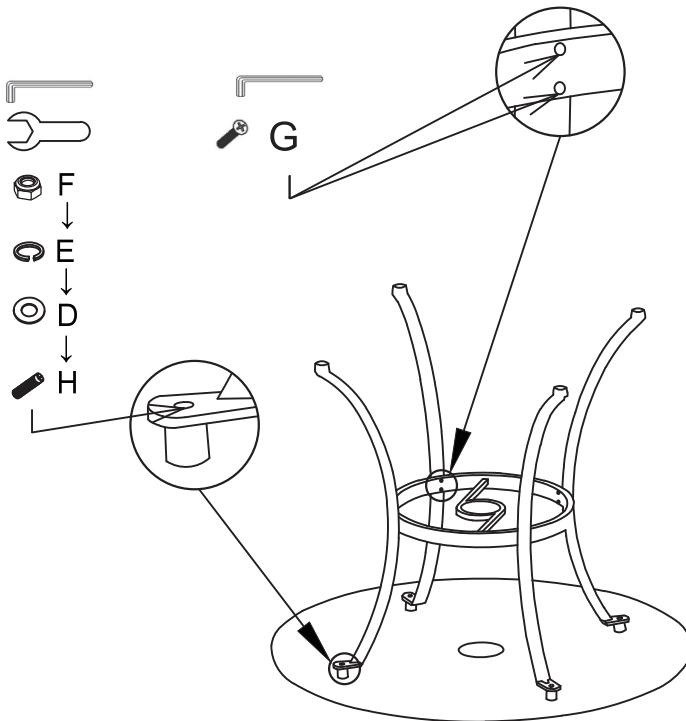
Part Number	Images and Sizes	Qty.
A		1
B		1
C		4
D	 M8	4
E	 M8	4
F	 M8	4
G	 M8*30	8
H	 M8*30	4

## ASSEMBLY INSTRUCTIONS



### CAVEAT

Note: Please only tighten any bolts once all bolts are placed correctly and the product is lying flat. If you tighten one bolt, it may cause other bolts to get out of position.



### STEP 1

Attach the table top (A) to the 4 legs (C) using 4 studs (H), 4 washers (D), 4 spring washers (E) and 4 nuts (F). Do not over-tighten them.

Connect the legs (C) and the support bar (B) with 8 bolts (G). Do not over-tighten them.

Upon completing the entire assembly and bolting up, you can tighten down all screws.

## **CARE AND MAINTENANCE**

Follow the instructions for the product's material to ensure it stays in the best shape as long as possible. The information below is a general guideline.

Don't hesitate to get in touch with us to learn more.

- Only rinse it thoroughly with clean water to wash away dirt and grime. Never use abrasive cleansers on the furniture since they can attack the surface and leave behind scratch marks.
- For stubborn grime and stains, use a soft sponge and mild soapy water. Then dry it with a cloth or paper towel.
- Check the stability of the screws, nuts, and nut caps before each use. Then, tighten them up after one to two months' use whenever required.
- Avoid improper use, and be careful not to scratch or damage the surface with sharp objects.
- When you move your furniture, lift it rather than pulling or pushing it to avoid damaging the floor, legs, and mounting.