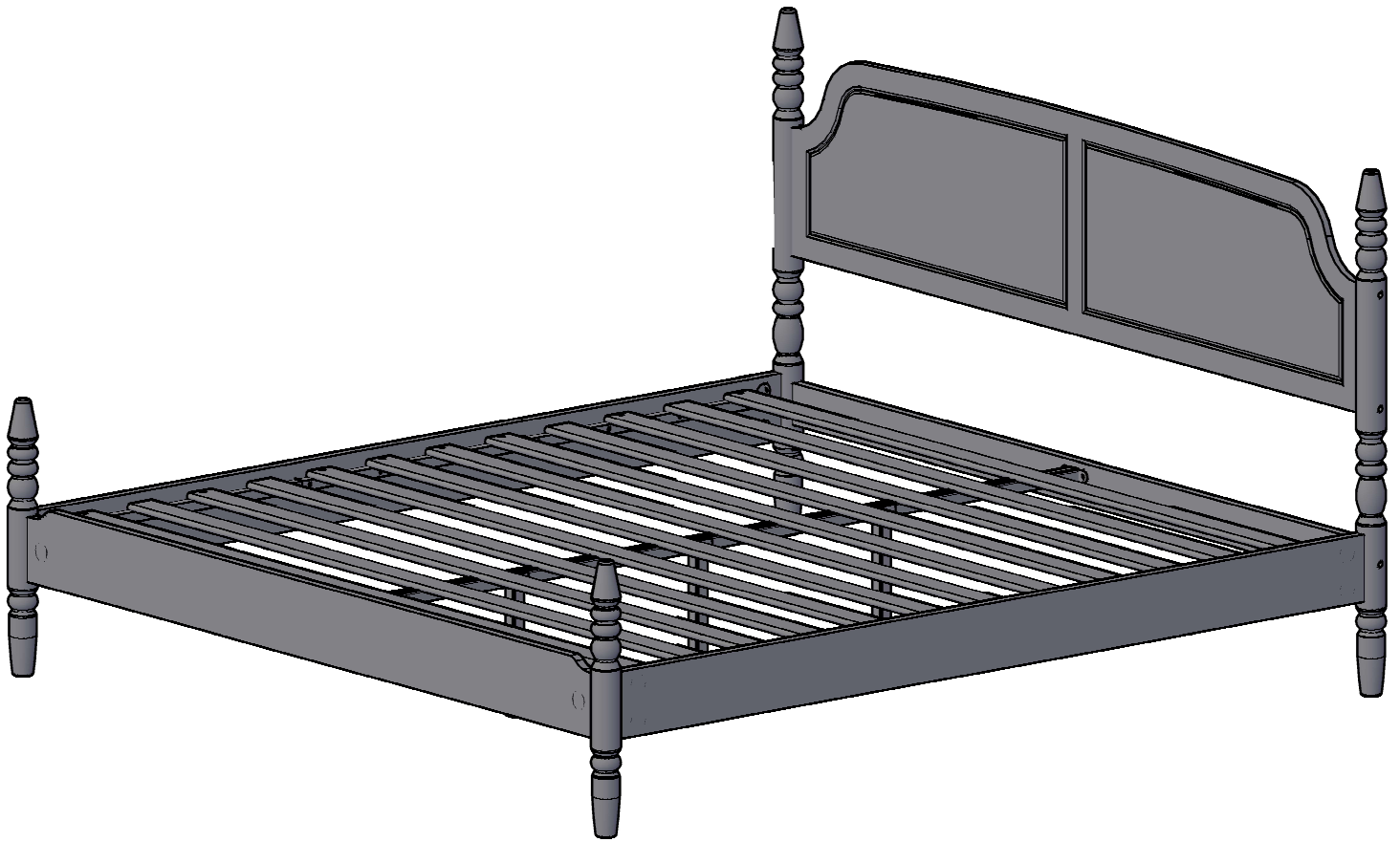


# ASSEMBLY INSTRUCTIONS



Description : KING BED  
Product Dimension : 79.7"Wx85.2"Lx45"H  
Cube Size : 84.5"x21.2"x6"

NW: 104.5 LBS  
GW: 113.3 LBS

# BEFORE ASSEMBLY





Thank you for purchasing this quality product. This product has been designed for easy assembly and constructed for durability. Please take the time to read and follow the assembly instructions carefully.

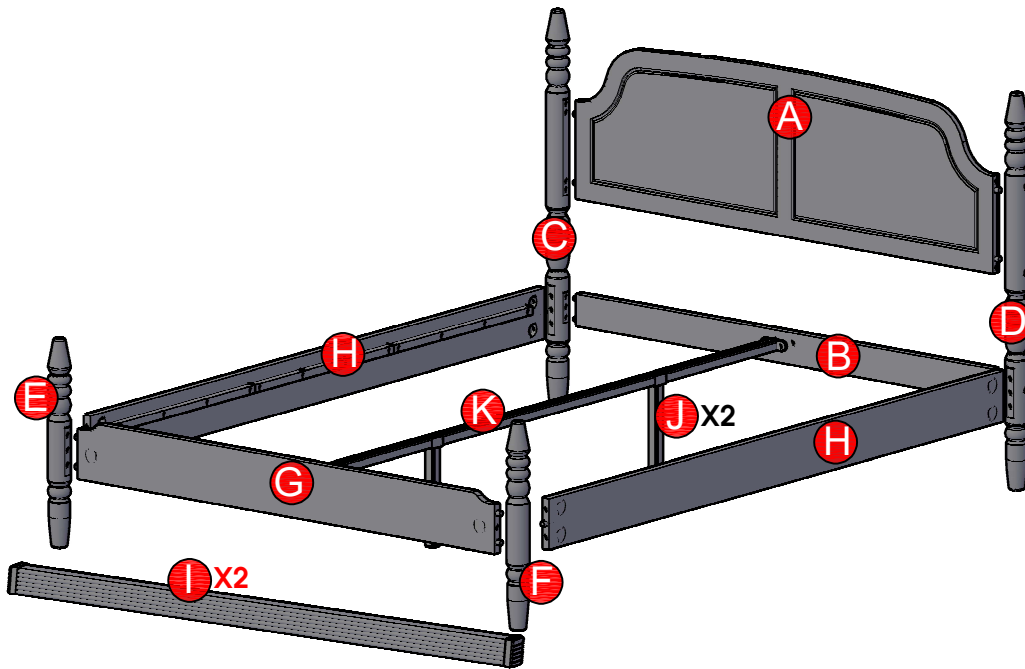
Be sure to check all packing material carefully for small parts which may have come loose inside the carton during shipment. Please separate, identify, and count all parts and metal hardware. Compare with part list to be sure all parts are present.

If hardware is missing or you have difficulty assembling this product, please contact us.

## IMPORTANT NOTE:

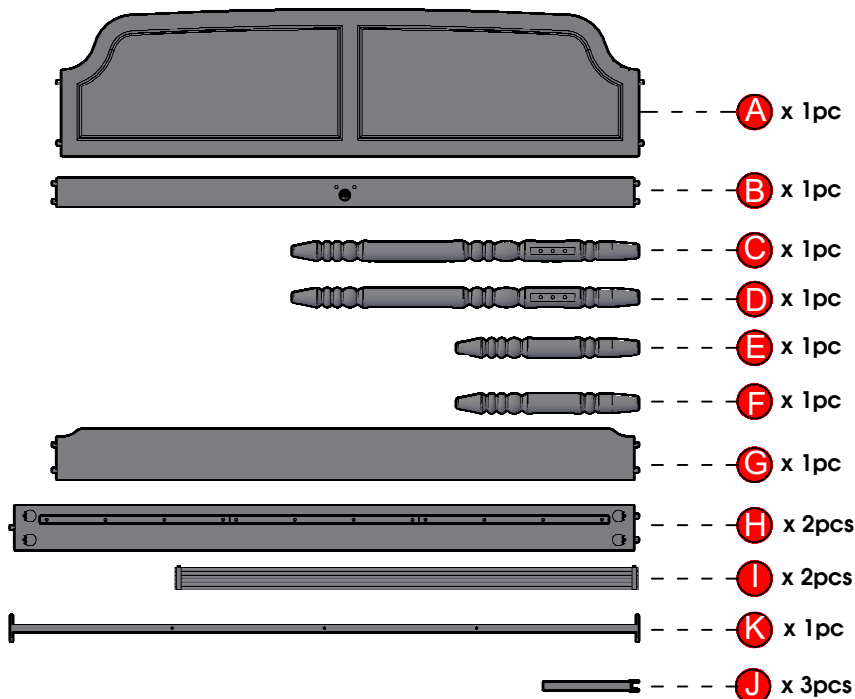
- Place all wooden parts on a clean and smooth surface such as a rug or carpet to avoid the parts from being scratched.
- Remove all wrapping material, including staples & packing straps before you start to assemble.
- DO NOT TIGHTEN all screws and bolts until product is completely assembled.
- Keep all hardware parts out of reach of children.

Estimated time for assembly	People recommended for assembly	Tools Needed	Use power tools with caution
 Allow 60 minutes.	 2 People Build Make it a team effort! Grab a friend for quicker, easier assembly.	 Grab a Phillips head screwdriver to conquer this assembly.	 Use power tools with caution.



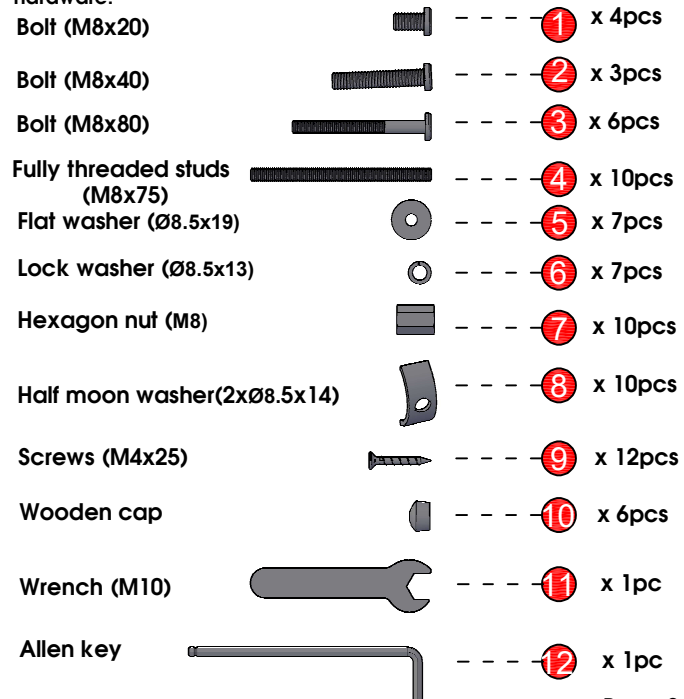
## PART LIST

- When unpacking, please be careful not to discard any parts with the packaging. Before continuing, please make sure you have the following parts.



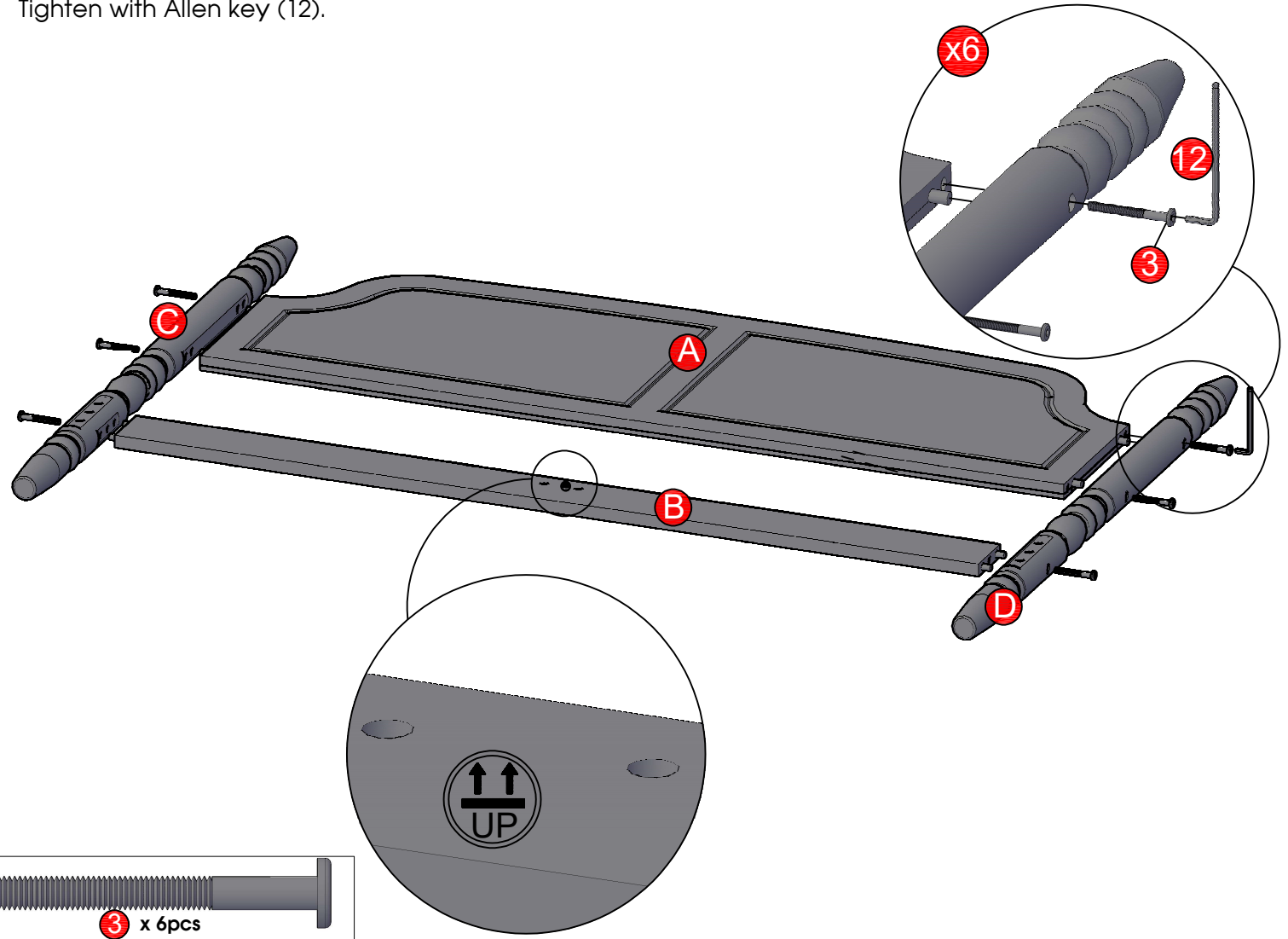
## HARDWARE LIST

- When unpacking, please be careful not to discard any parts with the packaging. Before continuing, please make sure you have all of the following hardware:



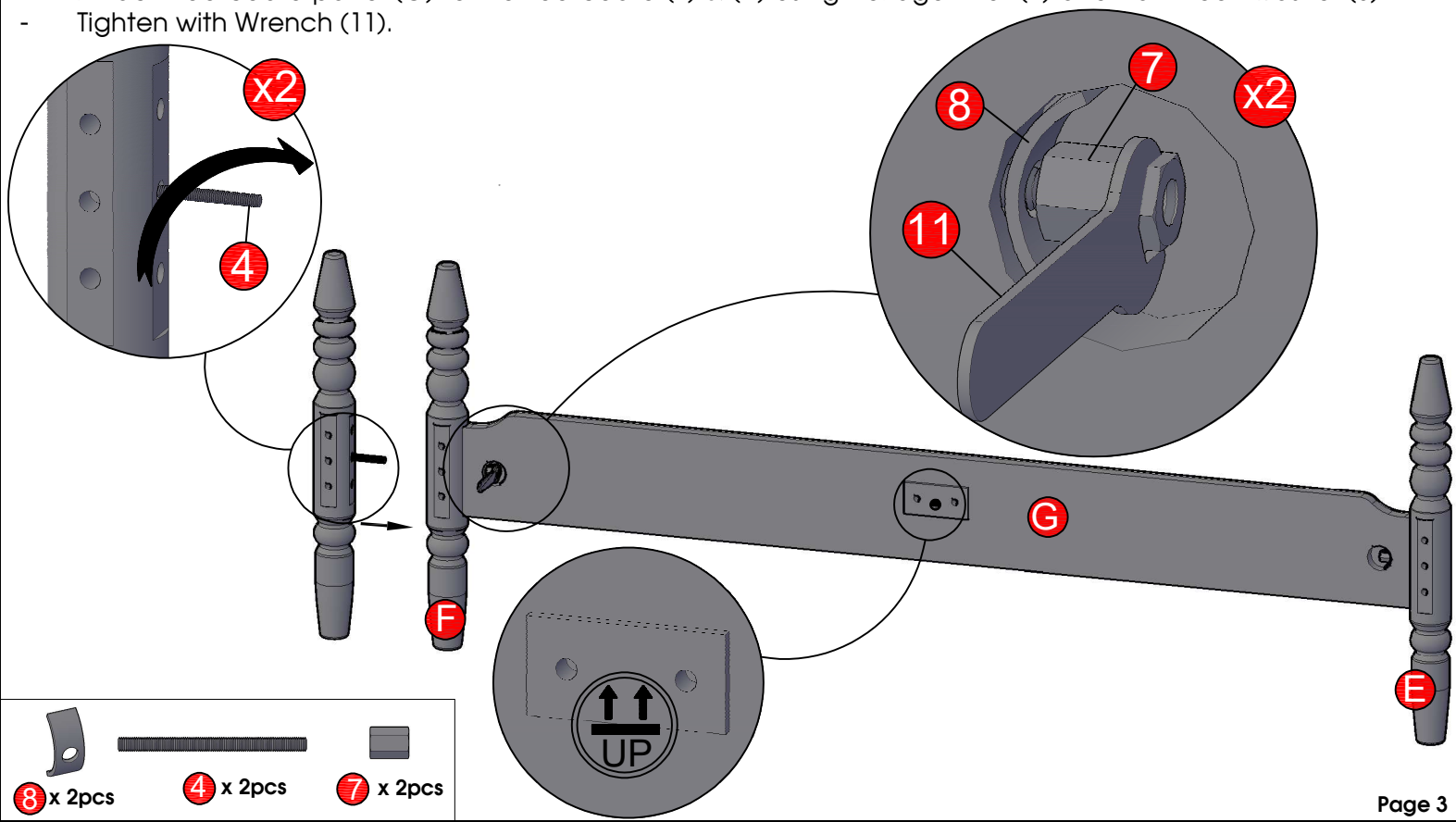
# STEP 1

- Attach Headboard legs (C) & (D) to Headboard stretcher (B) and Headboard panel (A) using Bolts (3).
- Tighten with Allen key (12).



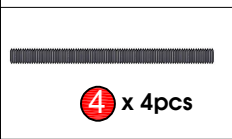
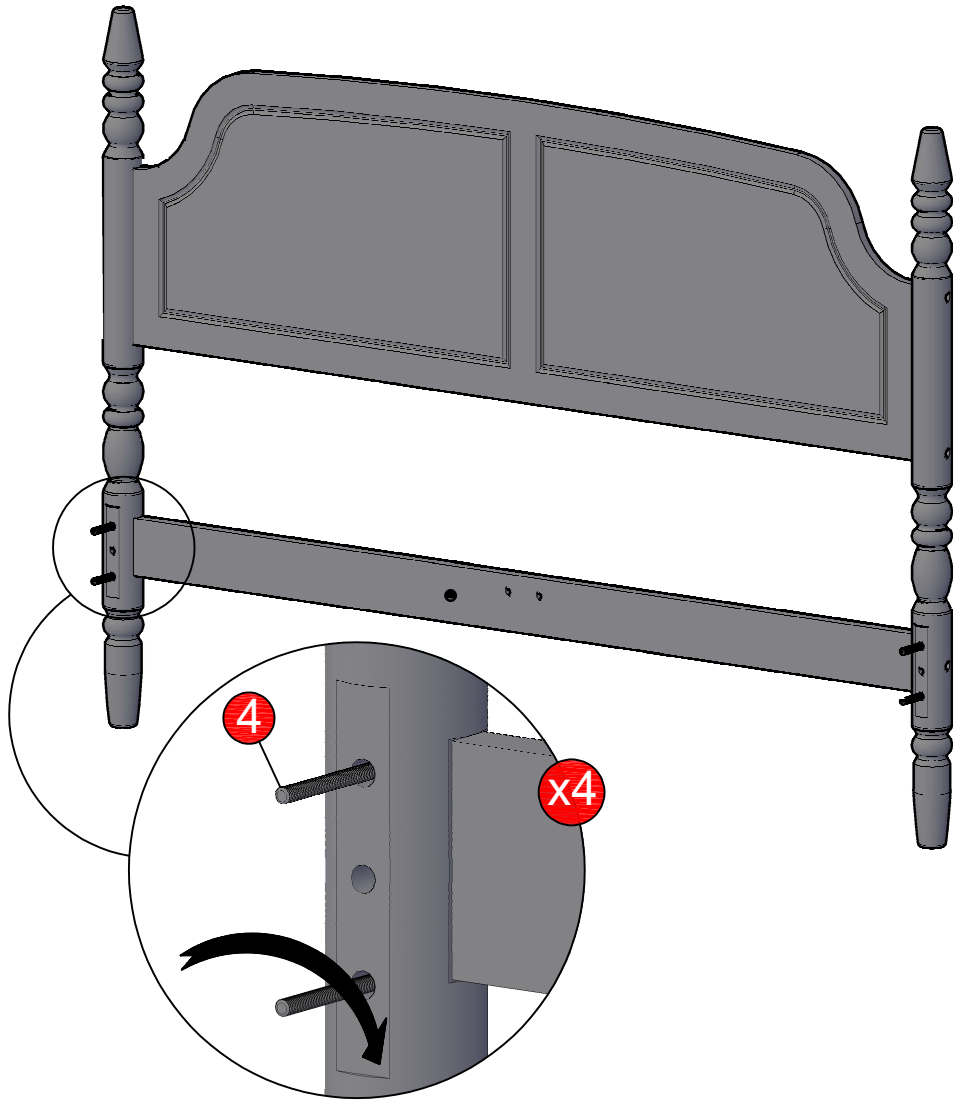
# STEP 2

- Attach Fully threaded studs (4) to Footboard legs (F) & (E).
- Attach Footboard panel (G) to the Footboard (F) & (E) using Hexagon nut (7) and Half moon washer (8).
- Tighten with Wrench (11).



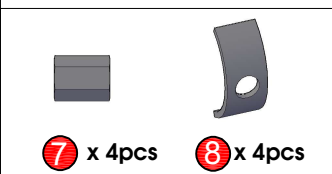
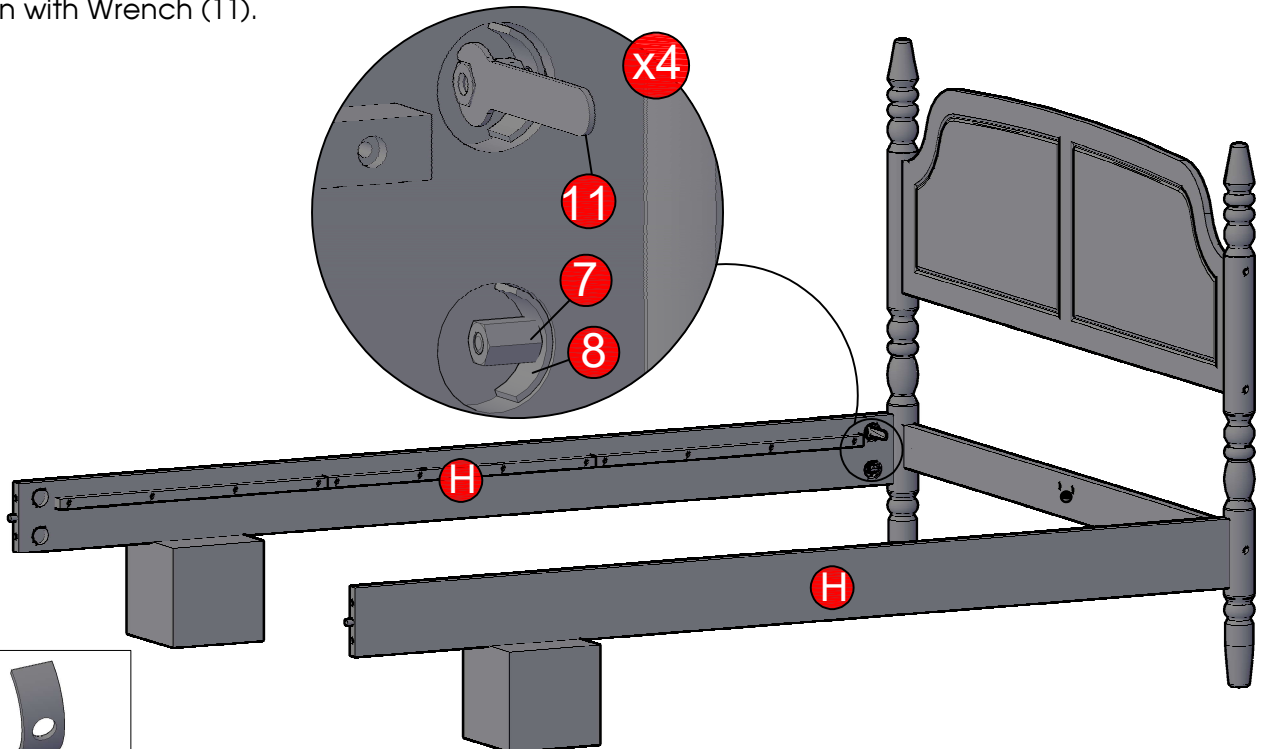
# STEP 3

- Attach Fully threaded studs (4) to the Headboard legs (From step 1).



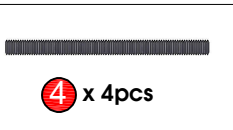
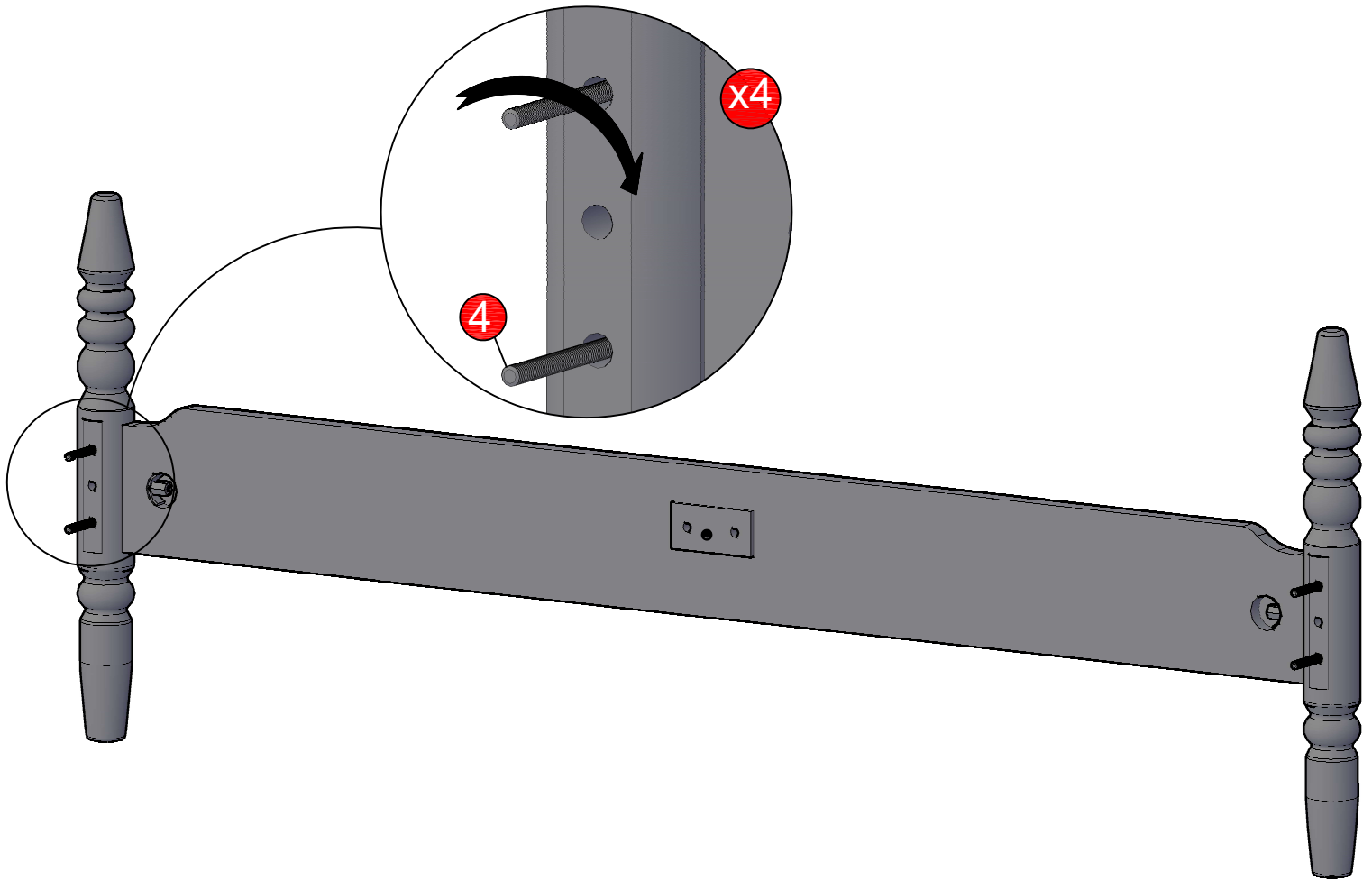
# STEP 4

- Find some blocks or anything you have available to prop up the Side Rails (H) while attaching them to the Headboard.
- Attach Side rails (H) to the Headboard leg (From step 3) using Hexagon nut (7) and Half moon washer (8).
- Tighten with Wrench (11).



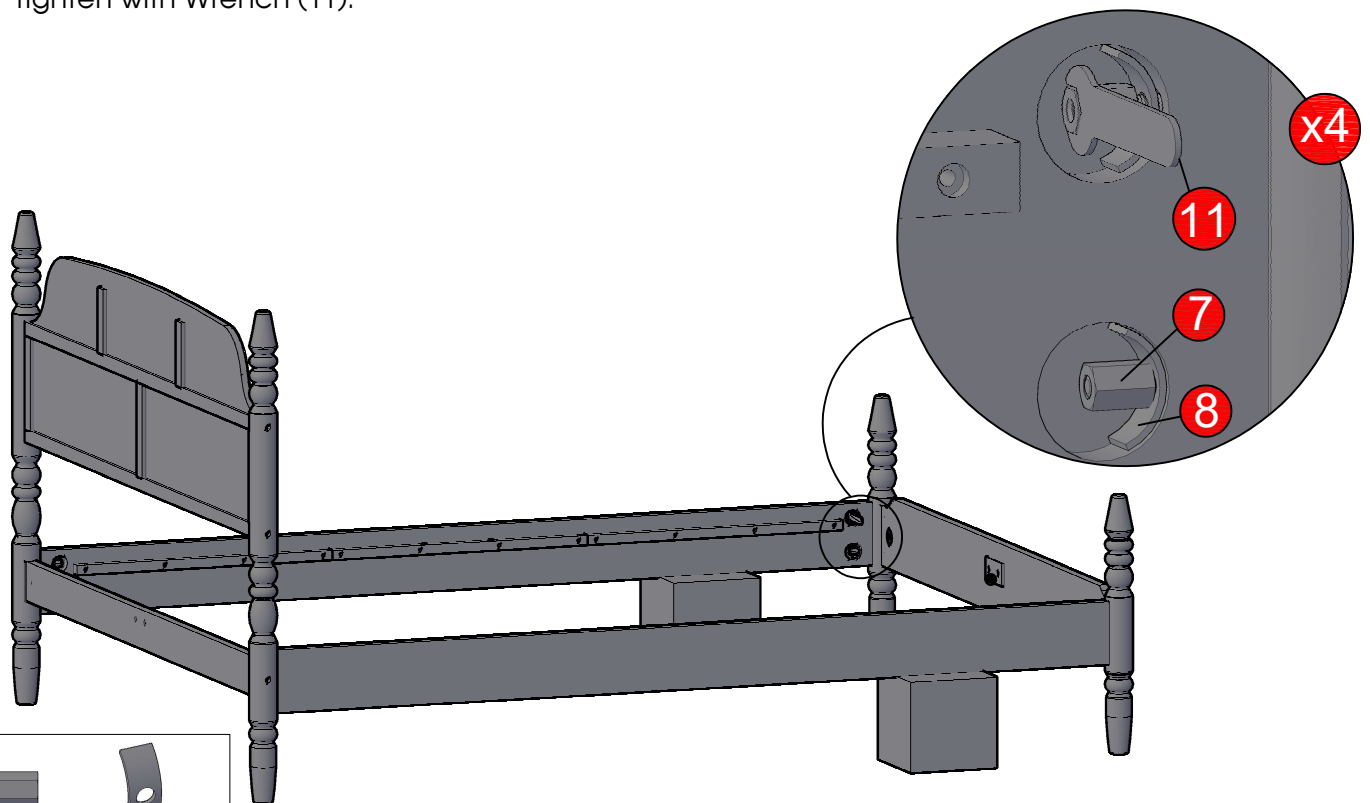
# STEP 5

- Attach Fully threaded studs (4) to the Footboard legs (From step 2).



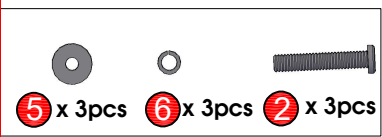
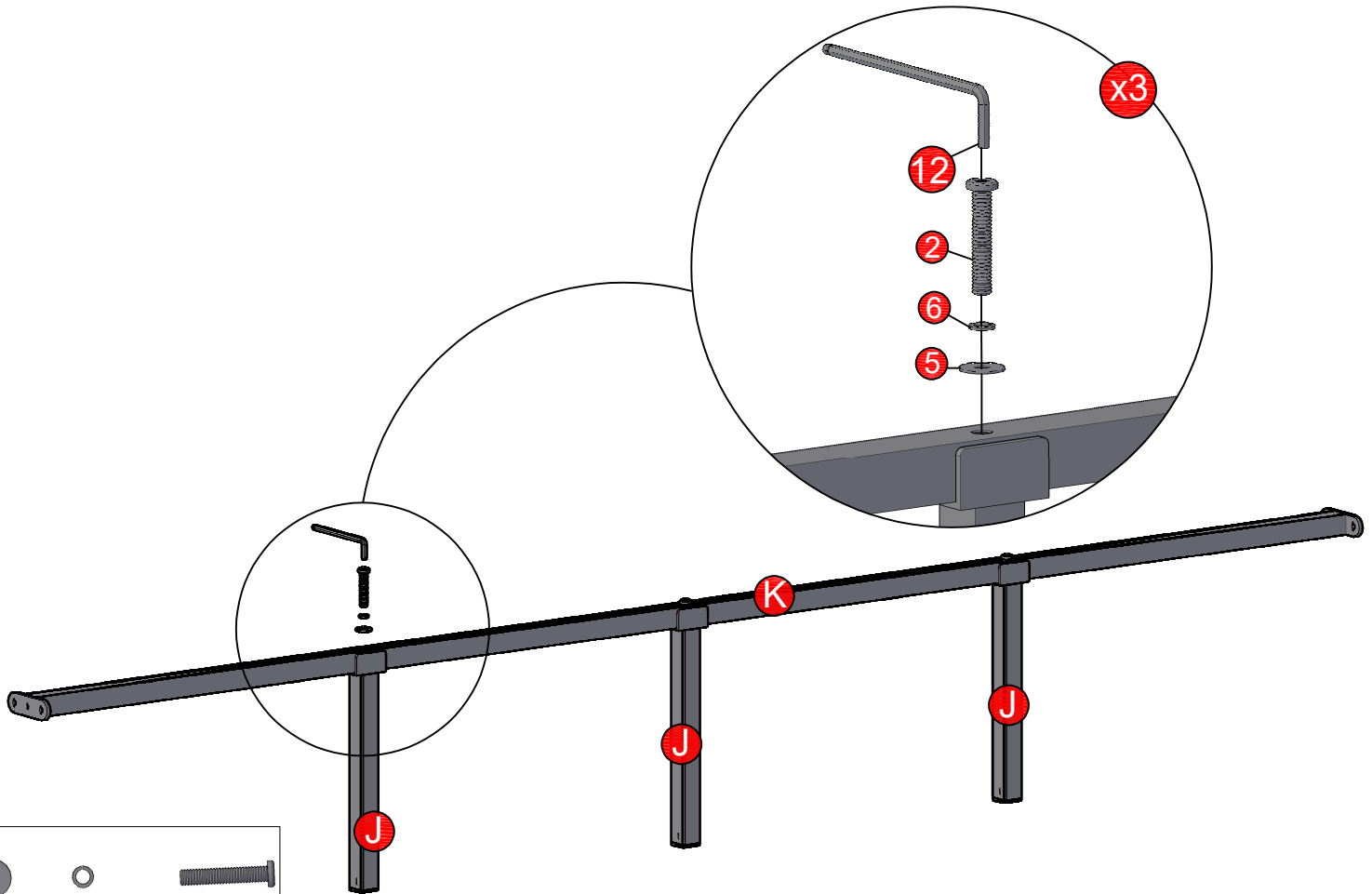
# STEP 6

- Attach Side rails to the Footboard leg using Hexagon nut (7) and Half moon washer (8).
- Tighten with Wrench (11).



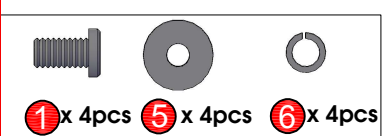
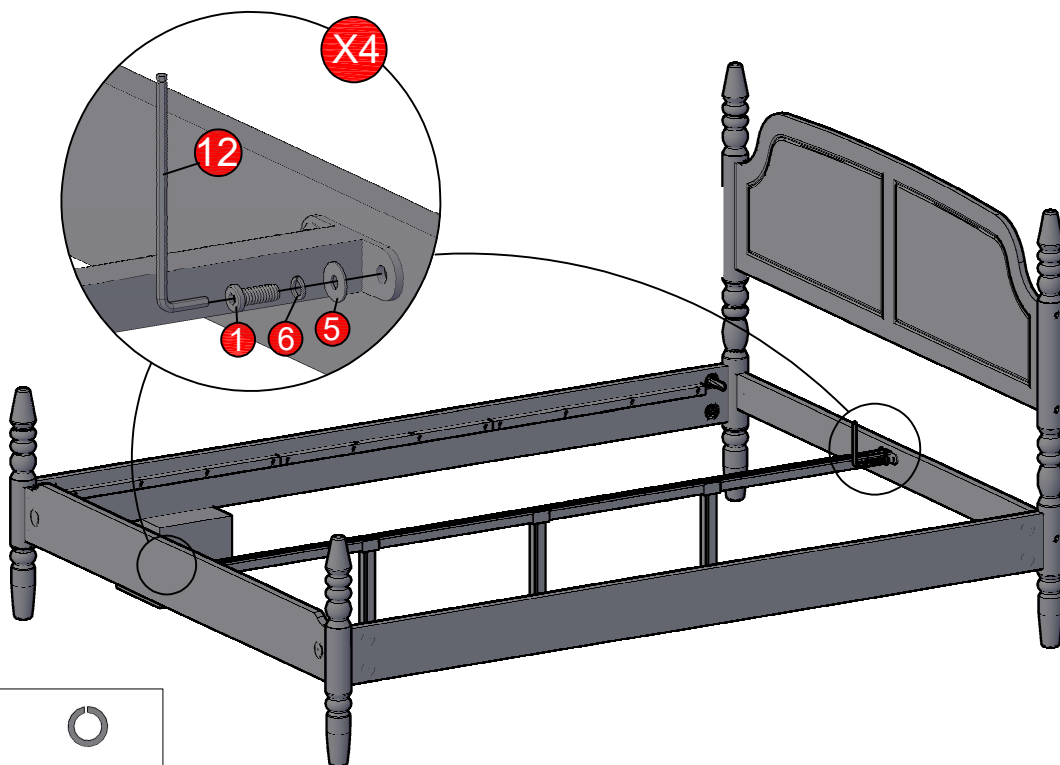
# STEP 7

- Attach Support legs (J) to Centre rail (K) using Bolts (2), Flat washers (5) and Lock washers (6).
- Tighten with Allen Key (12).



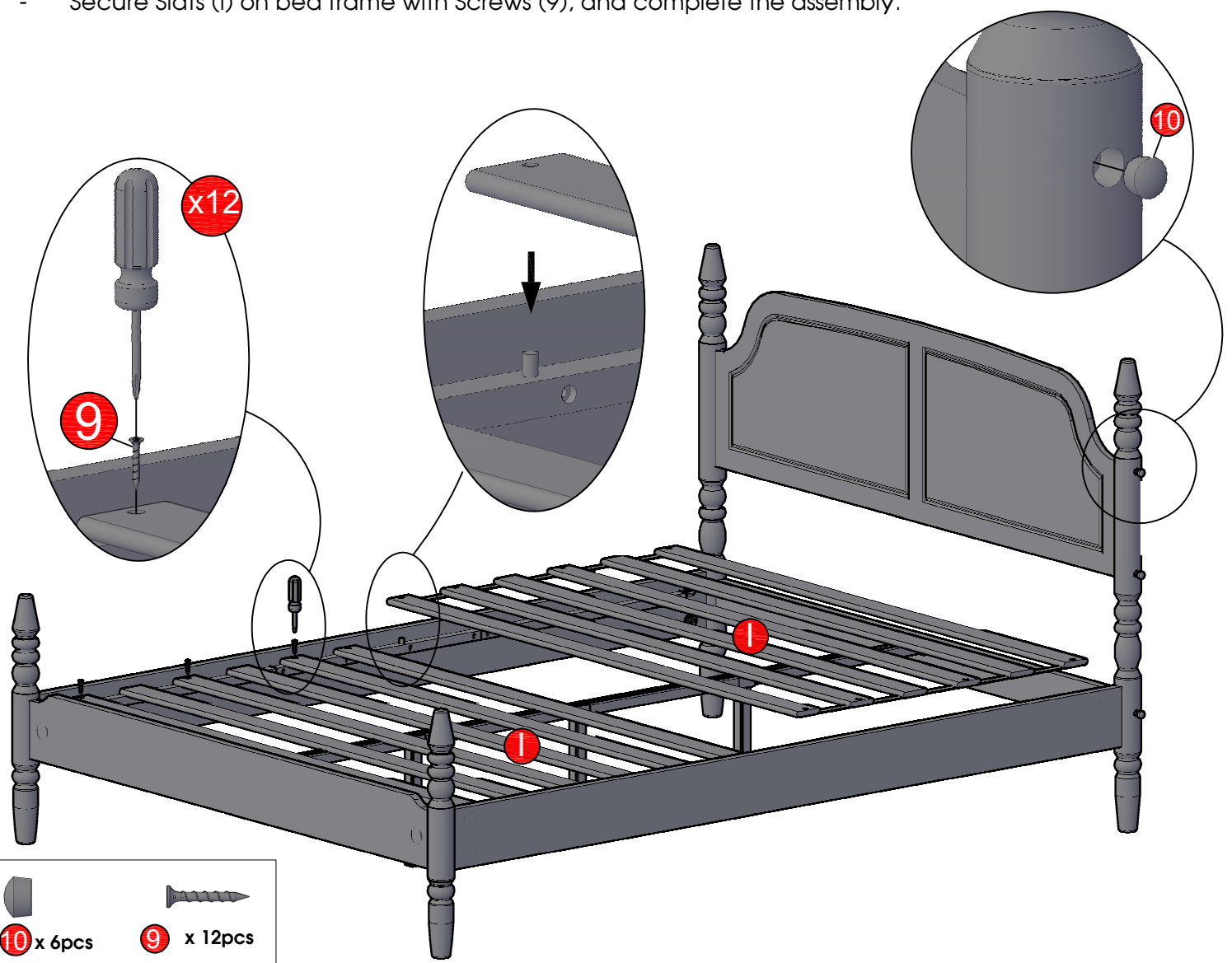
# STEP 8

- Attach Centre rail (From step 7) to the Headboard and Footboard using Bolts (1), Flat washers (5) and Lock washers (6).
- Tighten with Allen key (12).



# STEP 9

- Attach Wooden cap (10) to the Headboard.
- Secure Slats (l) on bed frame with Screws (9), and complete the assembly.



**ASSEMBLY IS COMPLETE**

