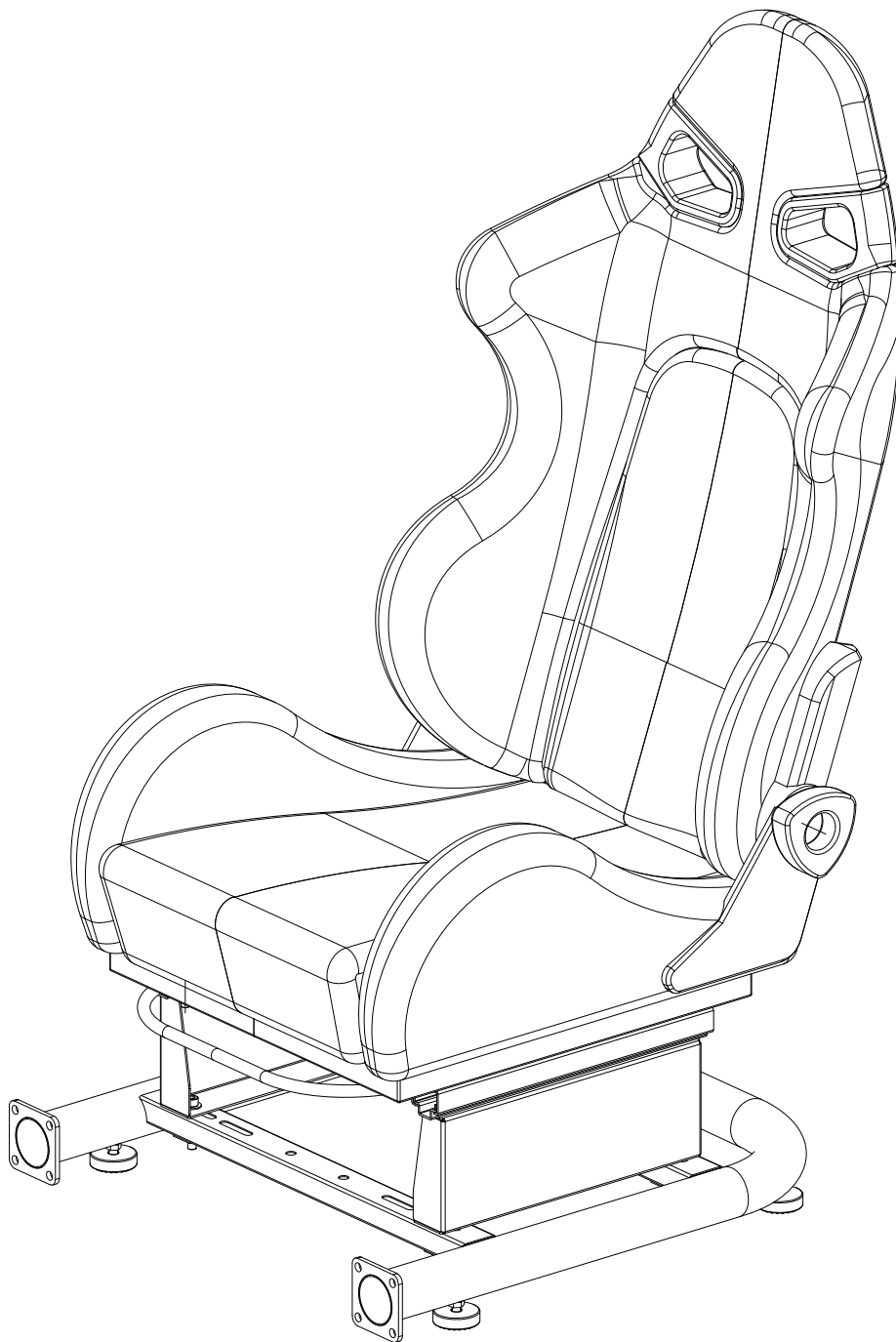


---

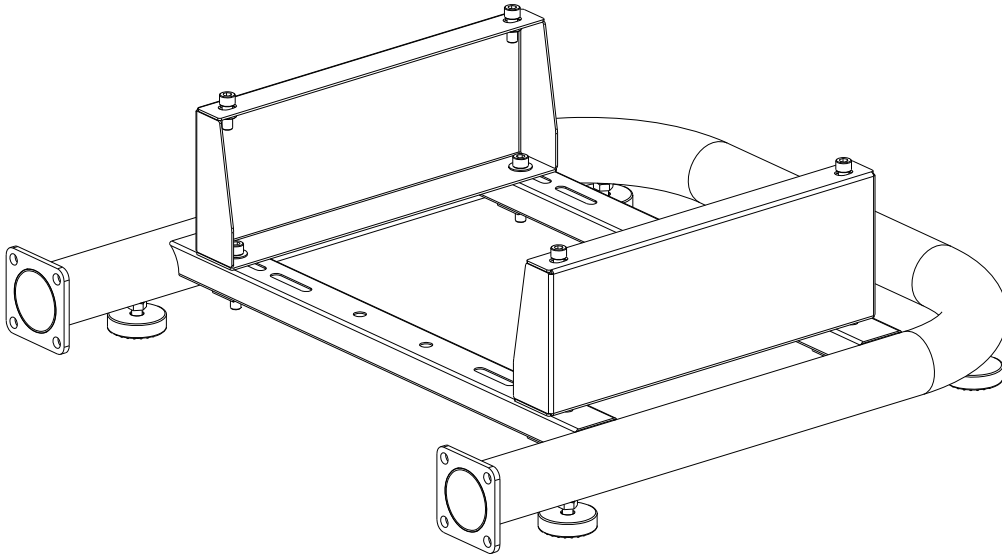
# Racing Simulator Stand And Racing Seat Assembly Manual



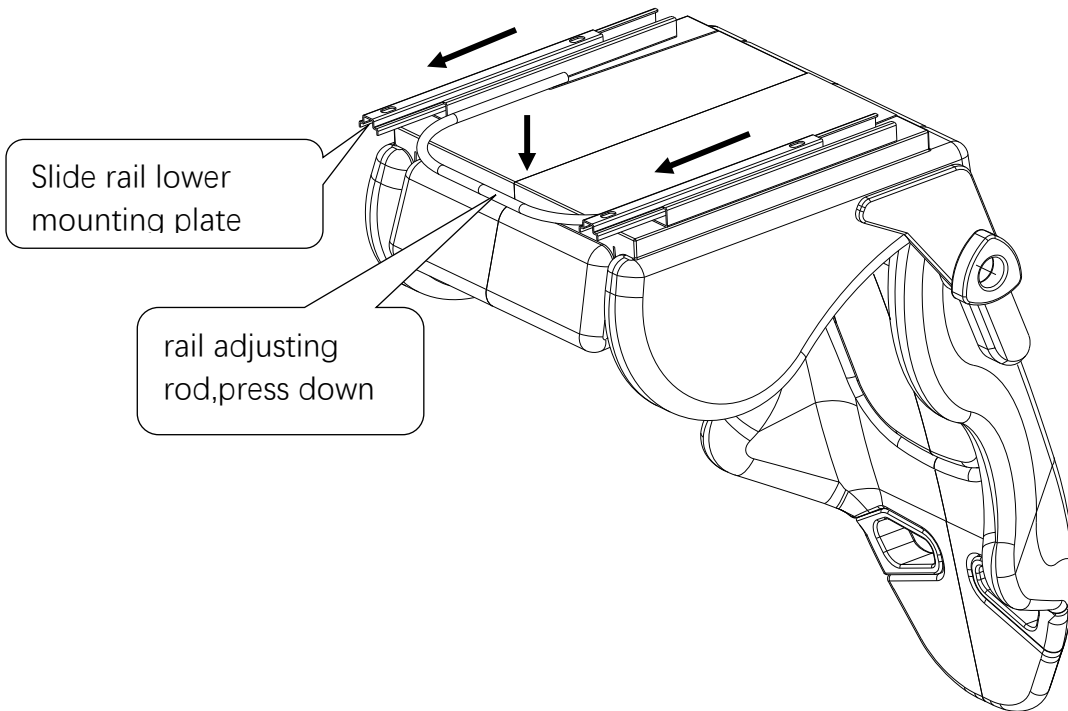
---

# Assembly Processes

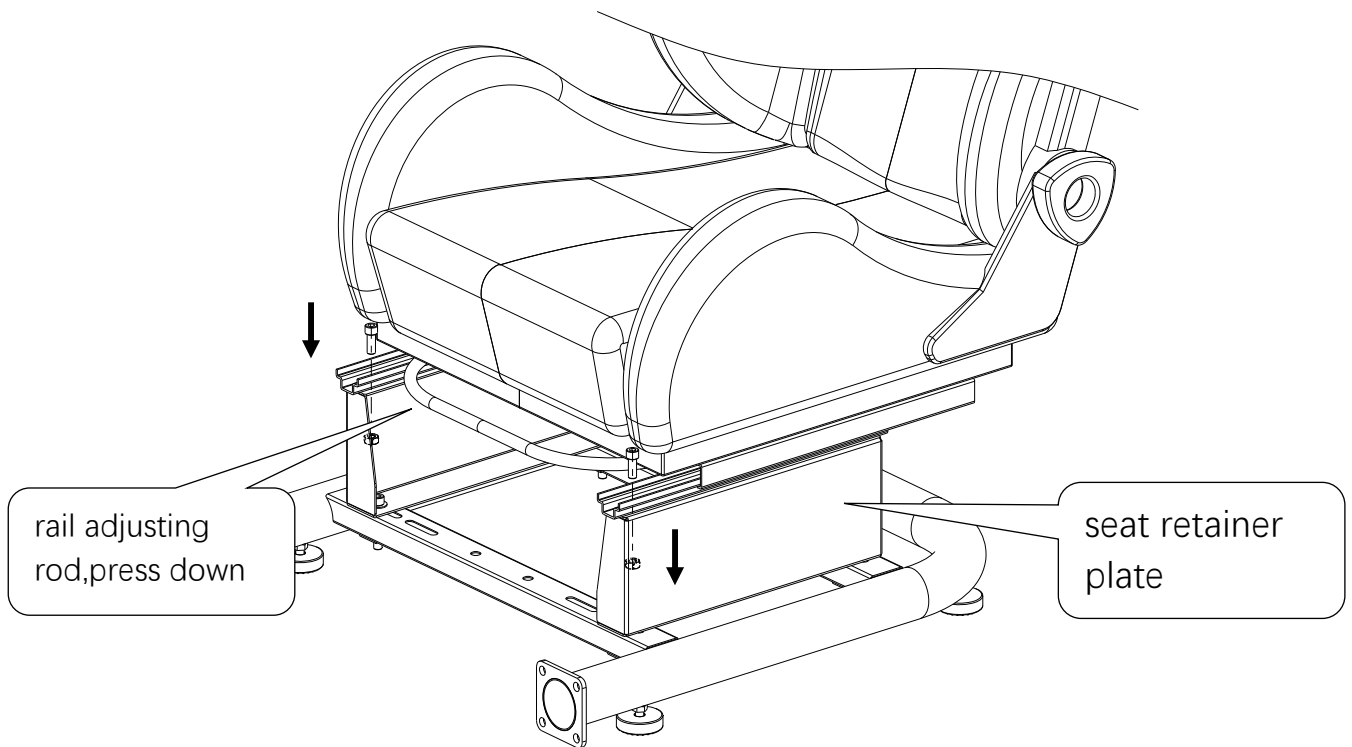
1. Please assemble your racing simulator stand according to the assembly instructions, As shown in the figure below



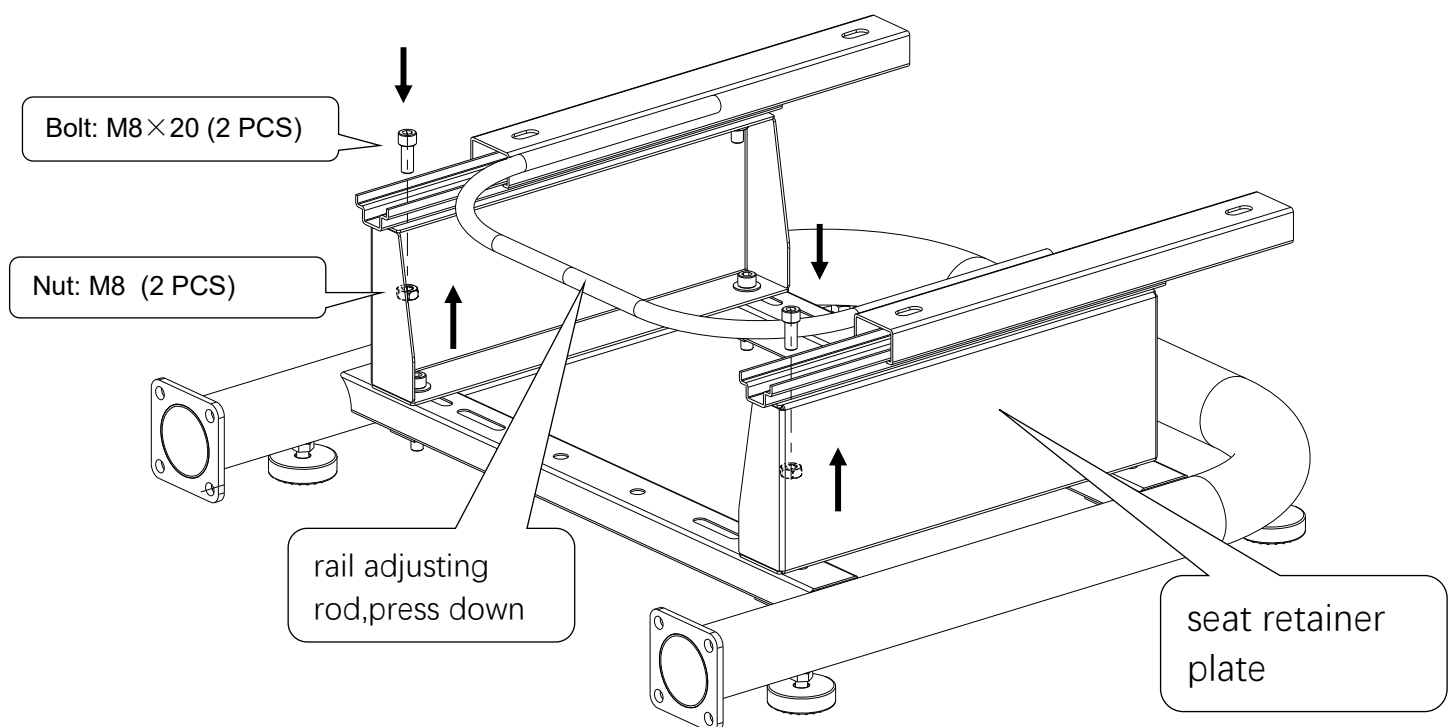
2. Turn the seat over , Press down the seat rail adjustment lever and slide the lower mounting plate of the rail forward to the end position shown in the figure below



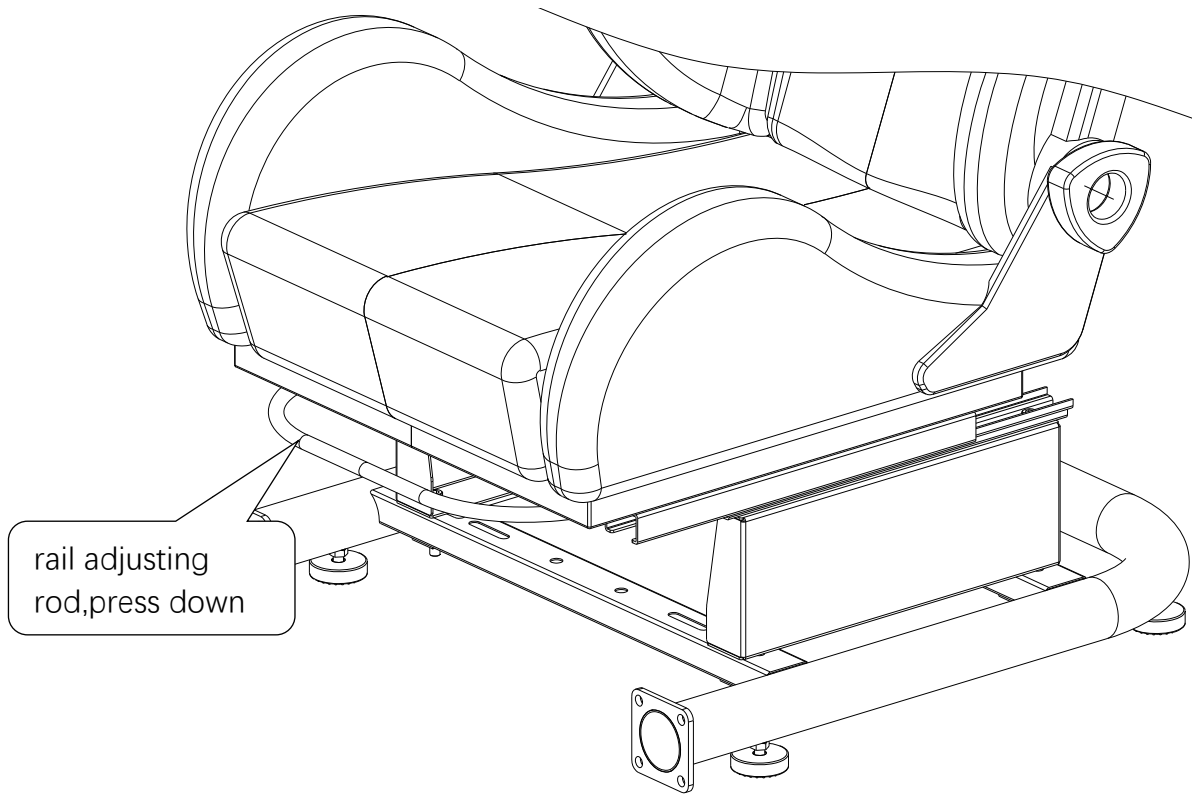
- 
3. Fit seat retainer plate with 2 pieces of the Bolt (M8×20) and 2 pieces of the Nut(M8)



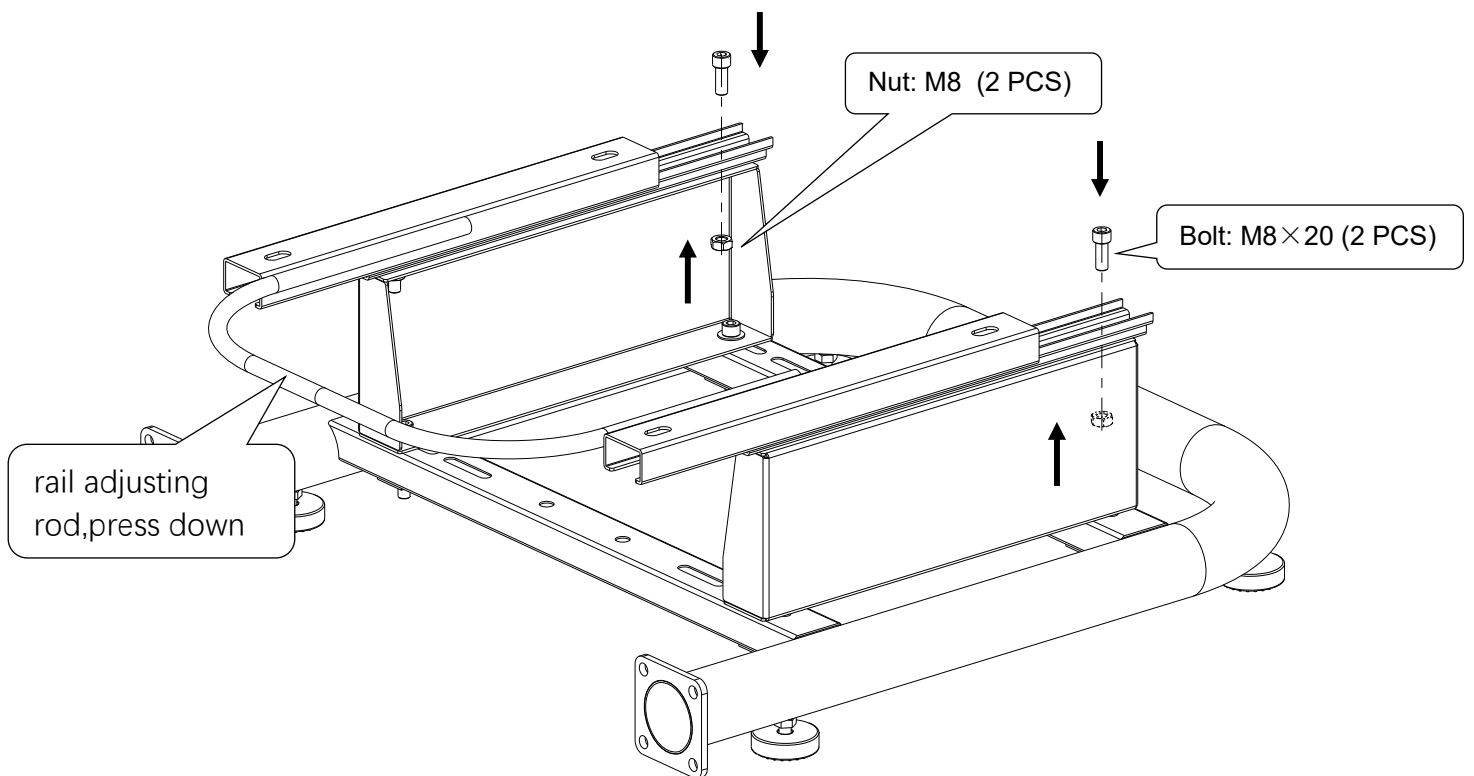
Detail(No Seat)



4. Press down the seat rail adjustment lever and slide the lower mounting plate of the rail backward to the end position shown in the figure below , Fit seat retainer plate with 2 pieces of the Bolt (M8×20) and 2 pieces of the Nut (M8)



Detail(No Seat)



---

5. Press down the seat rail adjustment lever and slide the lower mounting plate of the rail forward to the end position shown in the figure below

