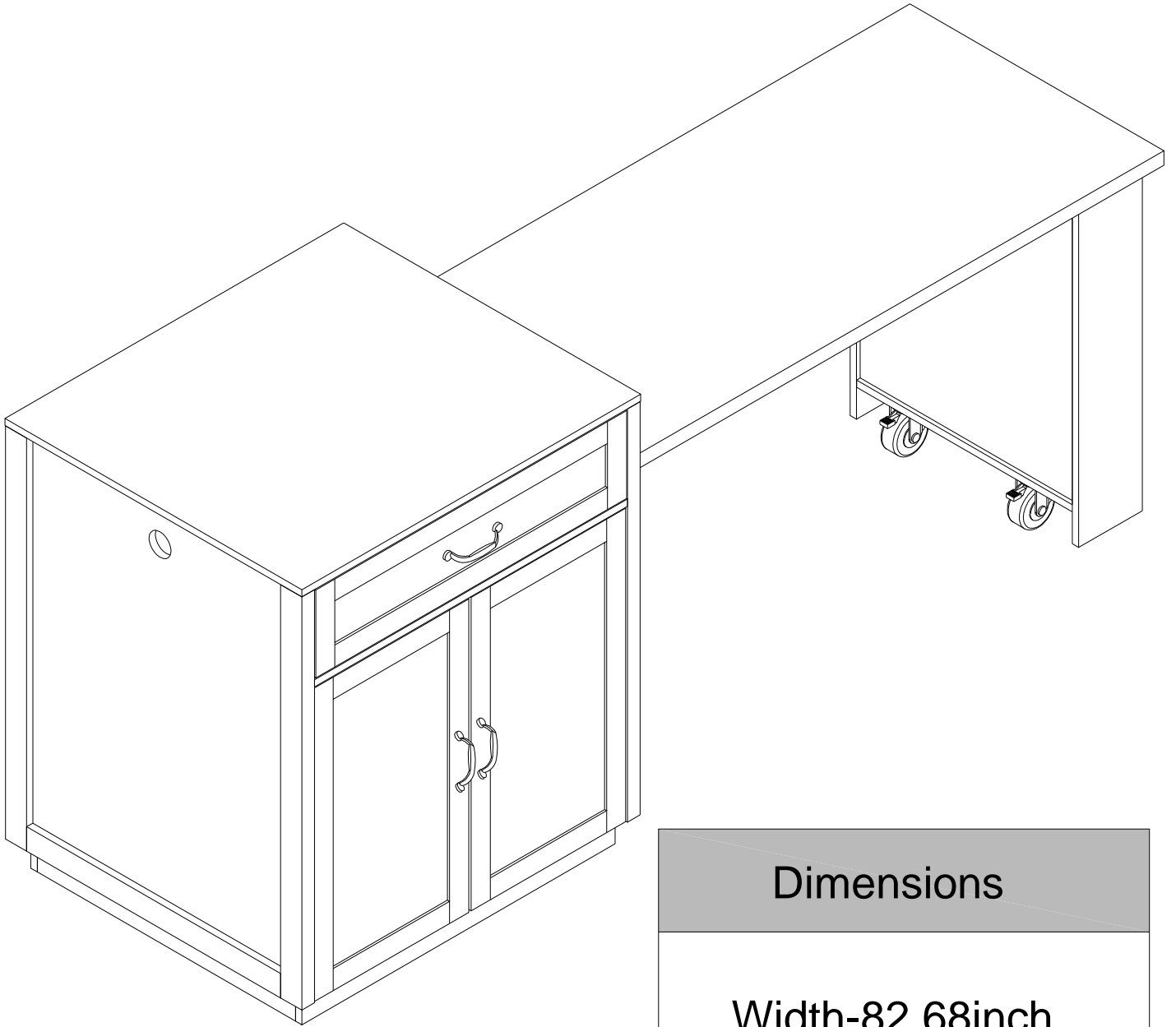


# Extendable Kitchen Island

Assembly Instructions - Please keep for future reference



## Dimensions

Width-82.68inch

Depth-27.56inch

Height-36.22inch

Important - please read these instructions fully before starting assembly



# Safety and Care Advice

**Important – Please read these instructions fully before starting assembly**

- Check you have all the components and tools listed on the following pages.
- Remove all fittings from the plastic bags and separate them into their groups.
- Keep children and animals away from the work area, small parts could choke if swallowed.
- Make sure you have enough space to layout the parts before starting.

- During assembly do not stand or put weight on the product, this could cause damage.
- Assemble the item as close to its final position (in the same room) as possible.
- Assemble on a soft level surface to avoid damaging the unit or your floor.
- Parts of the assembly will be easier with 2 people.



power drill is set on a low torque setting.

- To reduce the likelihood of damaging your product please ensure that your

## Care and maintenance

- Only clean using a damp cloth and mild detergent, do not use bleach or abrasive cleaners.
- From time to time check that there are no loose screws on this unit.
- This product should not be discarded with household waste. Take to your local authority waste disposal centre.

## Handy Hints

- Assemble all parts and bolts loosely during assembly, only once the product is complete should you fully tighten the bolts
- Regularly check and ensure That all bolts and fittings are tightend properly.

**WARNING**  
**In order to help prevent overturning –**  
**please follow these instructions**

To help prevent product toppling over please follow the below steps:-

- Use the anti tip stap or wall fixing method provided (if applicable)
- Do not allow children to climb or hang on the furniture
- Do not open more than one drawer at a time
- Do not place heavy items in the top drawers
- Do not place heavy items on top of the furniture, unless the furniture has been designed for this purpose

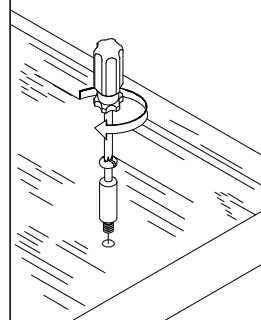
# Using Camlocks

## Step 1

Connect the male camlock as directed in the assembly instructions using a screwdriver.

1

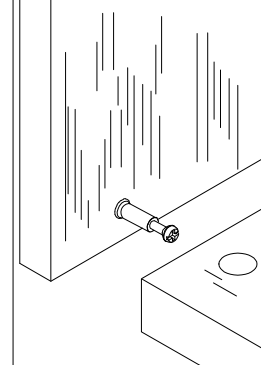
DO NOT OVER TIGHTEN.  
NE PAS SERRER EXCESSIVEMENT.



## Step 2

Push the male camlock into the entry hole.

2

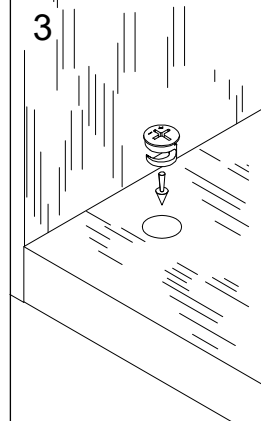


## Step 3

Insert the female camlock as shown in the instruction.

Note: ensure that the arrow on the top of the camlock points towards the entry hole for the male camlock.

3



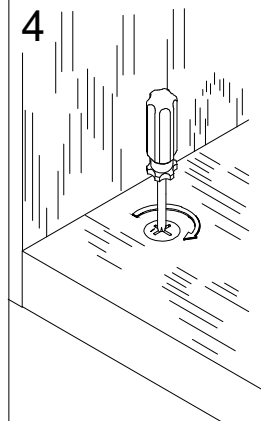
## Step 4

Turn the female camlock clockwise with a screwdriver.

You should feel a click when the camlock is locked in place.

The joint is now secure.

4





**BST** A RELIABLE TESTING FOR TRUST  
GLOBAL TESTING AND CERTIFICATION PRECISION SERVICE CLOUD FACTORY

## Supplier's Declaration of Conformity

This device complies with part 15 of the FCC Rules. Operation is subject to the condition that this device does not cause harmful interference

### Certification Summary

Applicant:	Zhangzhou Jinhe Electronic Technology Co., Ltd
Address:	Jiao Mei Zhen Hong Jian Cun Jiao Song, Taiwan Merchants Investment Zone, Zhangzhou, Fujian Province 3rd Floor, Building C, No. 59 Road
Manufacturer:	Zhangzhou Jinhe Electronic Technology Co., Ltd
Address:	Jiao Mei Zhen Hong Jian Cun Jiao Song, Taiwan Merchants Investment Zone, Zhangzhou, Fujian Province 3rd Floor, Building C, No. 59 Road
Test standard:	FCC Part 15 Class B
Product Type:	JH-13
Trade Name:	/
Main Test Model:	JH-13, JH-22, JH-23, JH-24, JH-25, JH-26, JH-27, JH-28, JH-29, JH-30
Certificate Number:	XD202351120830001CR-A
Report number:	XD202351120830001CR
Issuance Date:	Dec.08, 2023
Tested by:	Dongguan BST Testing Co., Ltd.

We, the responsible party:  
Zhangzhou Jinhe Electronic Technology Co., Ltd  
declare that the product  
JH-13



was tested to conform to the applicable FCC Rules and regulations. The method of testing was in accordance to the most accurate measurement standards possible, and that all necessary steps have been enforced to assure that all production units of the same equipment will continue to comply with the Federal Communications Commission's requirements.

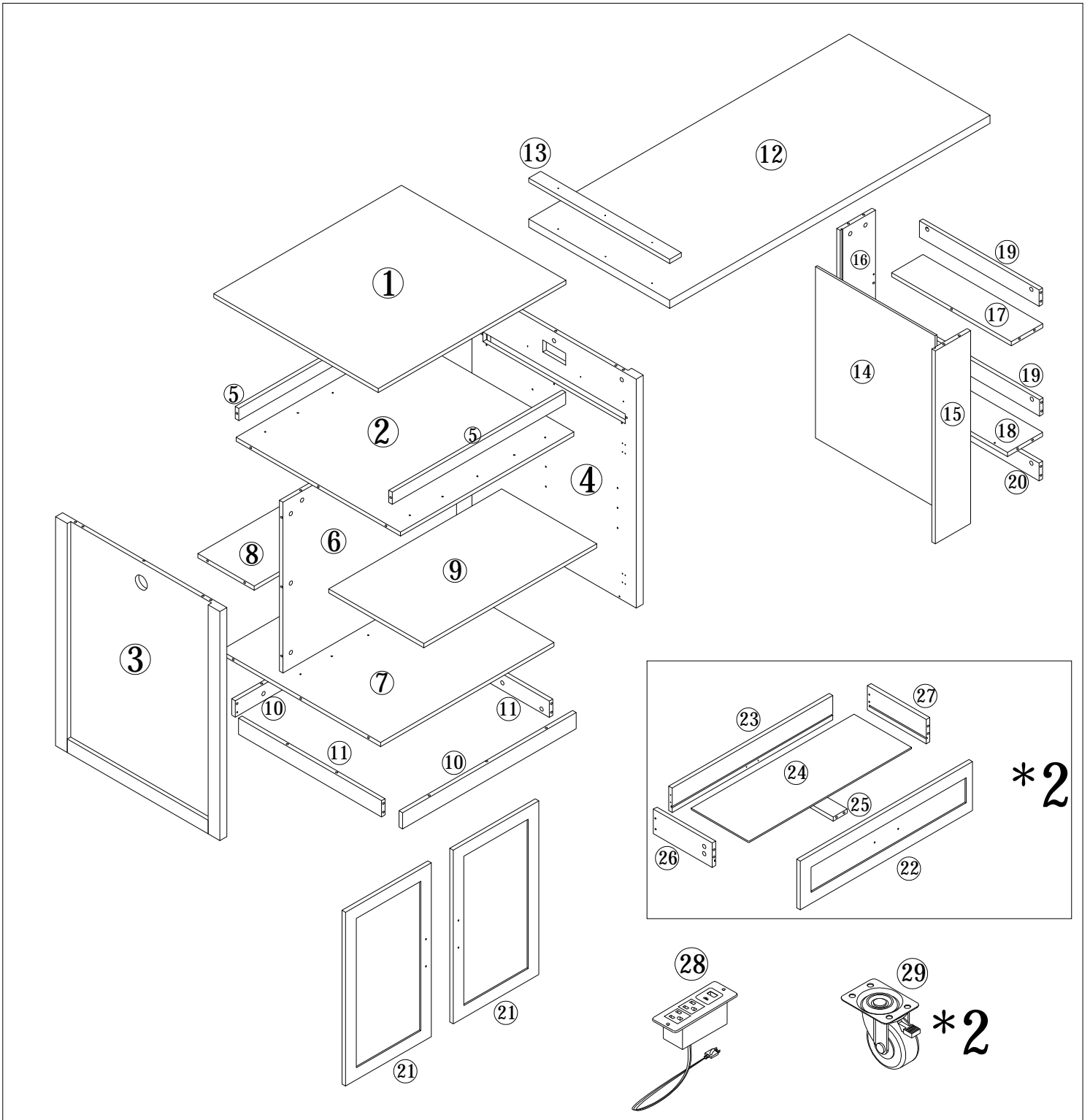
  
\_\_\_\_\_  
Signature of Officer

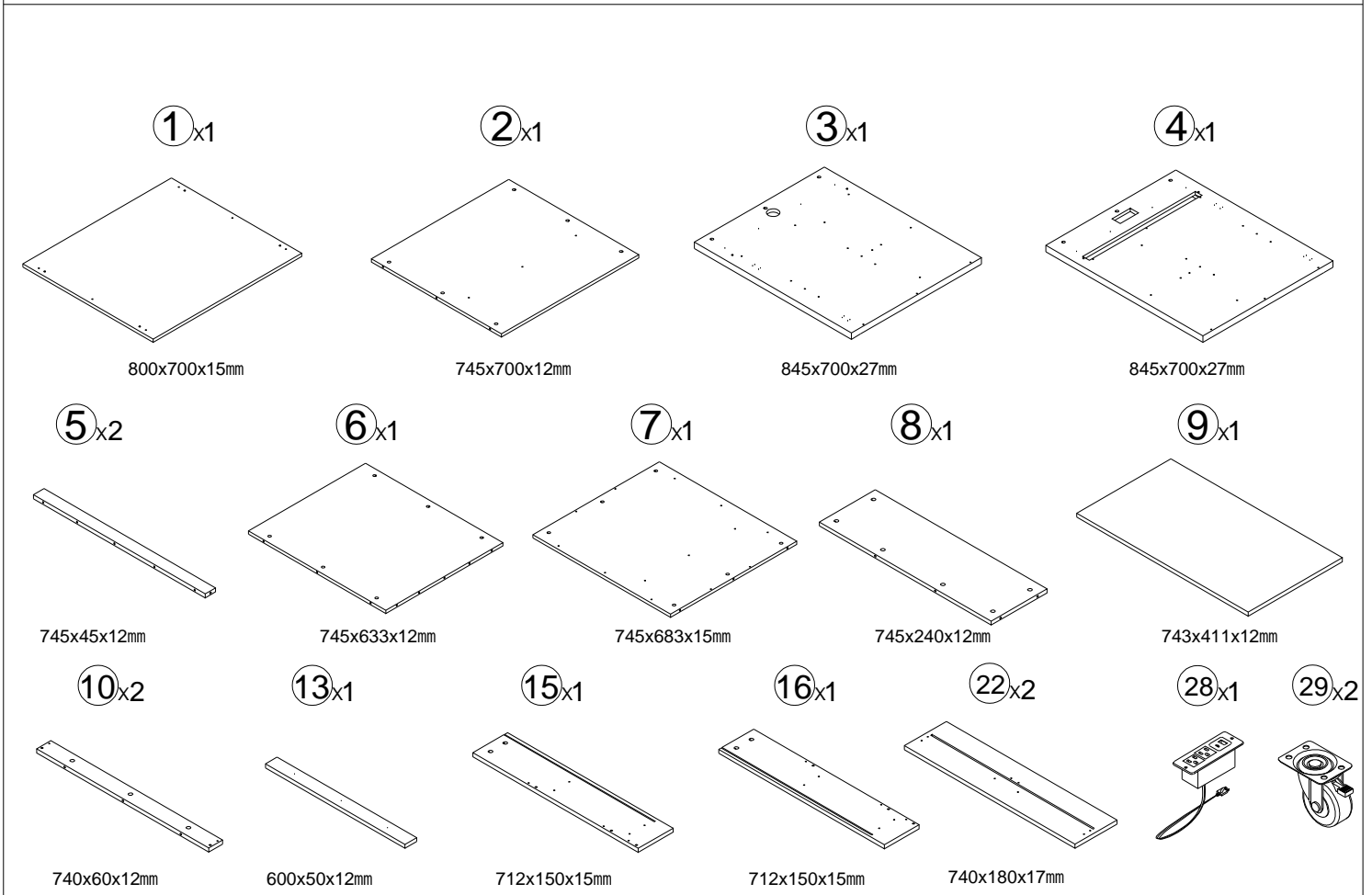
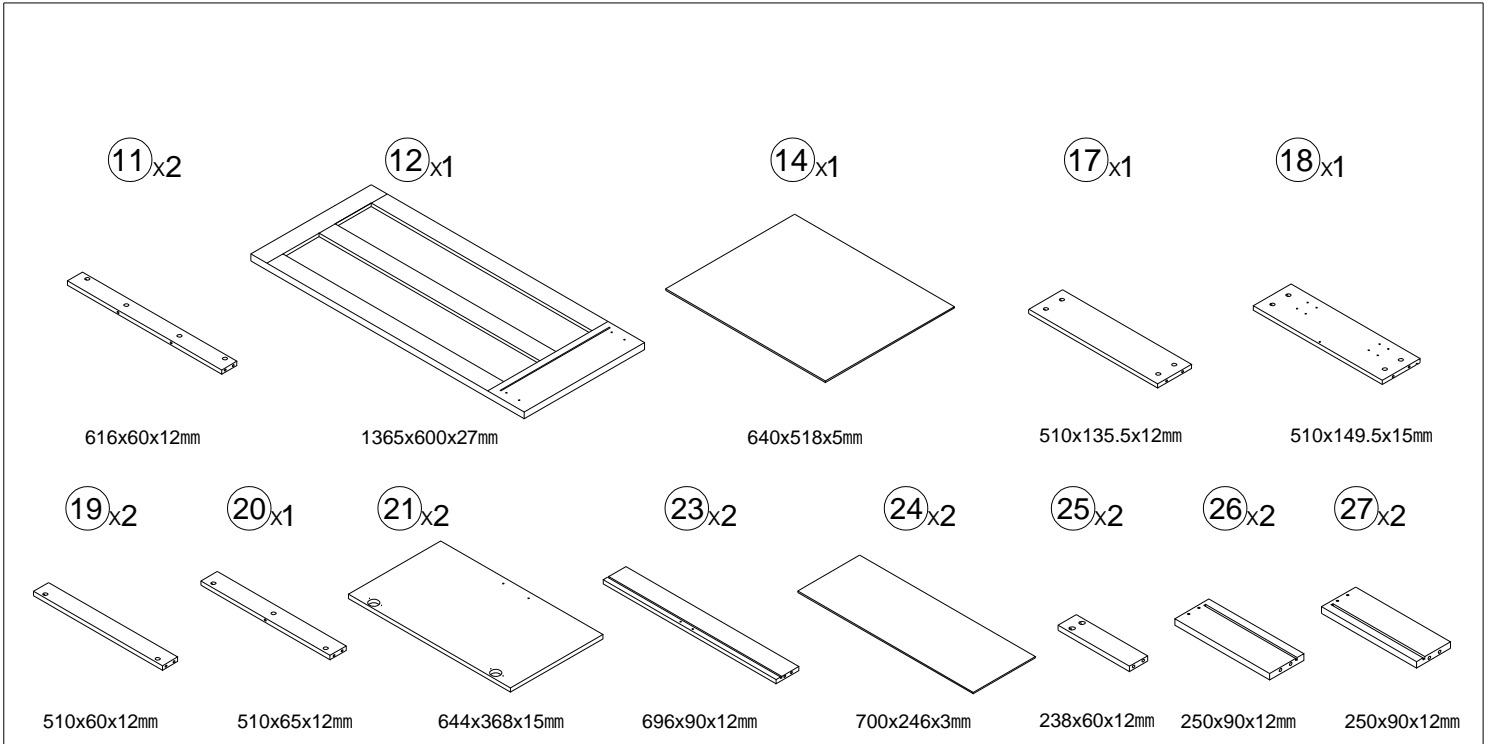
2023-12-08

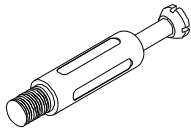
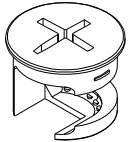
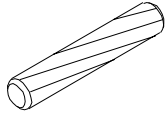
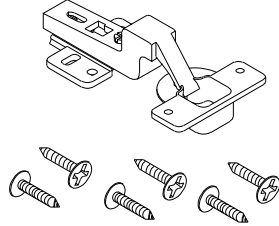
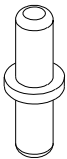
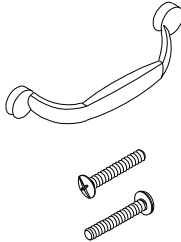
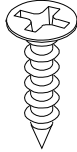

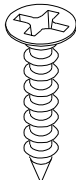

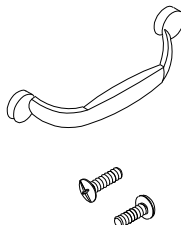


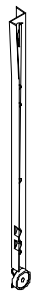

\_\_\_\_\_  
Date

**Dongguan BST Testing Co., Ltd.**

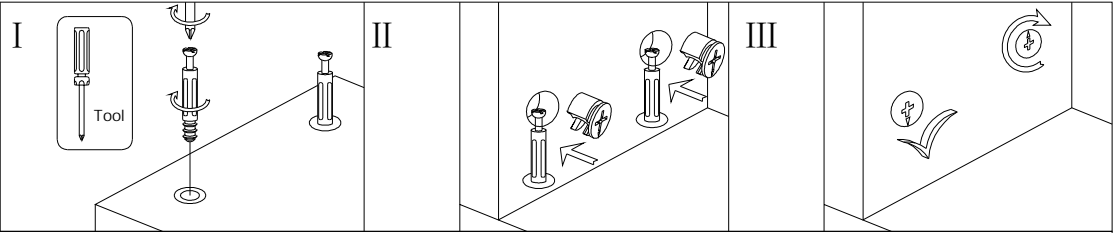
Add: Chaomei Industrial Park, Donghai Road, Yongan Community Yantian Street Yantian District, Shenzhen, Guangdong, China  
Certificate Search: <http://www.bst-lac.com>, Tel: 0769-85990045, E-mail: christian\_bst@yeah.net



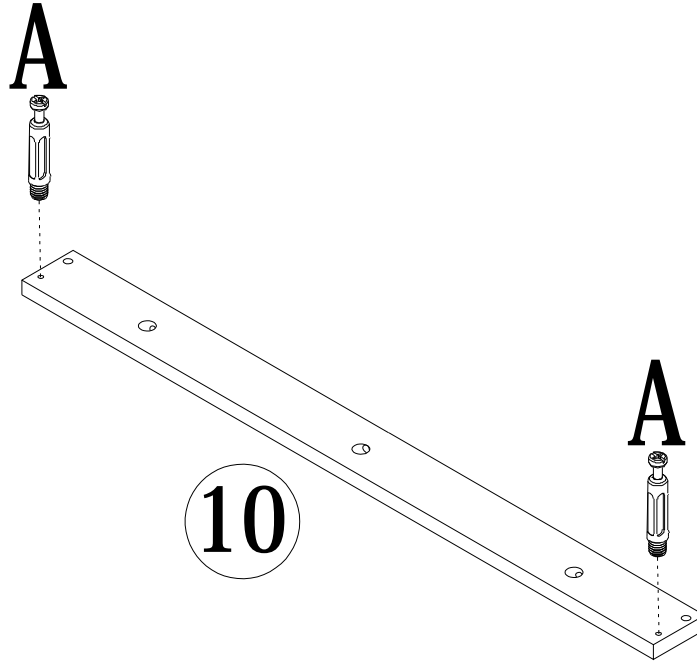


<p style="text-align: center;"><b>A</b></p>  <p style="text-align: center;">75PCS</p>	<p style="text-align: center;"><b>B</b></p>  <p style="text-align: center;">75PCS</p>	<p style="text-align: center;"><b>C</b></p> <p style="text-align: center;"><math>\phi 8*30\text{mm}</math></p>  <p style="text-align: center;">26PCS</p>	<p style="text-align: center;"><b>D</b></p>  <p style="text-align: center;">4PCS</p>
<p style="text-align: center;"><b>E</b></p>  <p style="text-align: center;">4PCS</p>	<p style="text-align: center;"><b>F</b></p>  <p style="text-align: center;">2PCS</p>	<p style="text-align: center;"><b>G</b></p> <p style="text-align: center;">MB. 5*14mm</p>  <p style="text-align: center;">18PCS</p>	<p style="text-align: center;"><b>H</b></p> <p style="text-align: center;">MB*14mm</p>  <p style="text-align: center;">8PCS</p>
<p style="text-align: center;"><b>I</b></p> <p style="text-align: center;">MB. 5*30mm</p>  <p style="text-align: center;">27PCS</p>	<p style="text-align: center;"><b>J</b></p>  <p style="text-align: center;">6PCS</p>	<p style="text-align: center;"><b>K</b></p>  <p style="text-align: center;">2PCS</p>	<p style="text-align: center;"><b>CL</b></p>  <p style="text-align: center;">2PCS</p>
<p style="text-align: center;"><b>CR</b></p>  <p style="text-align: center;">2PCS</p>	<p style="text-align: center;"><b>DL</b></p>  <p style="text-align: center;">2PCS</p>	<p style="text-align: center;"><b>DR</b></p>  <p style="text-align: center;">2PCS</p>	

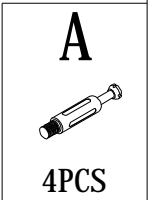
"B" Hardware  
installation example



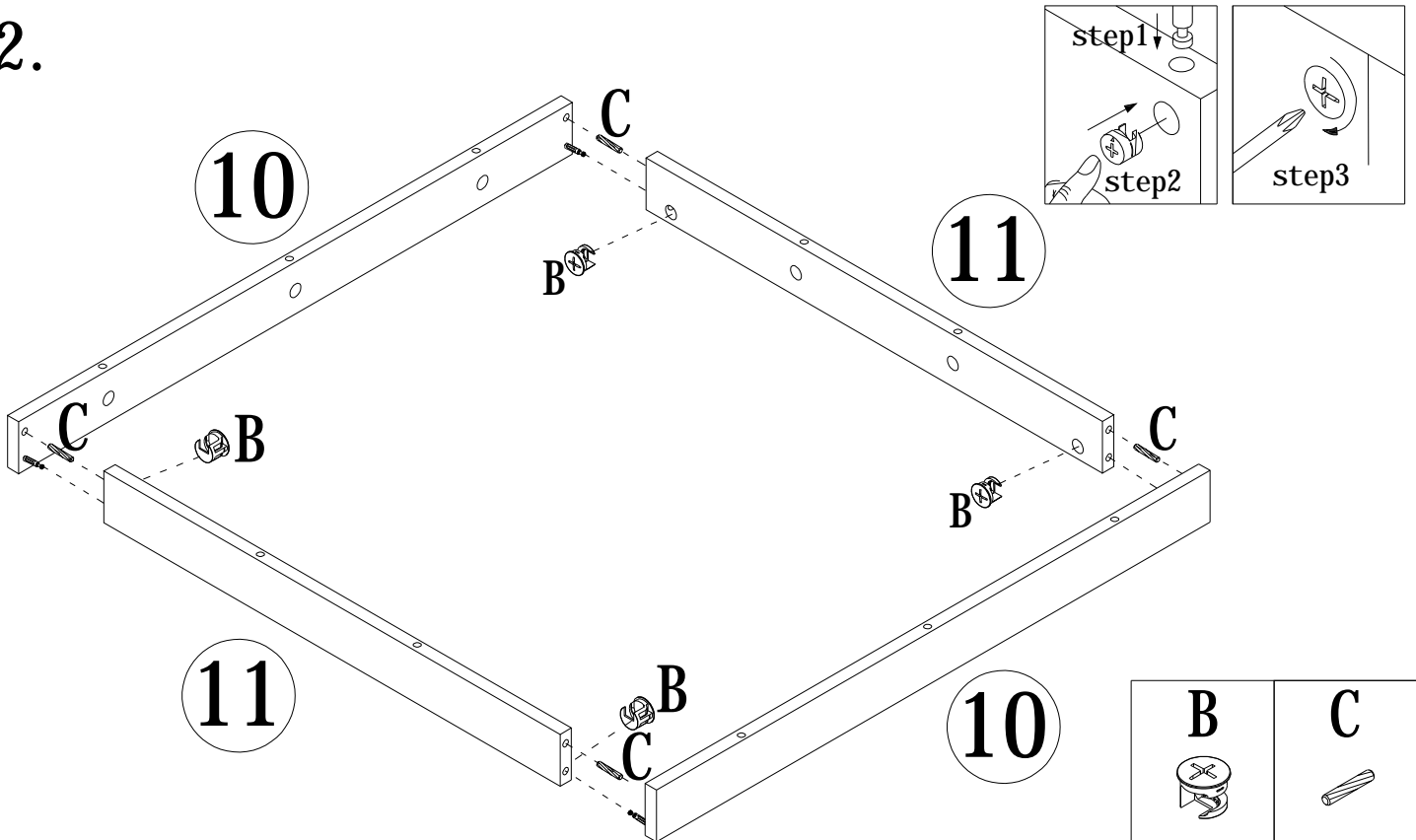
1. \*2



10



2.

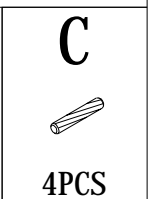
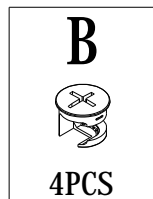


10

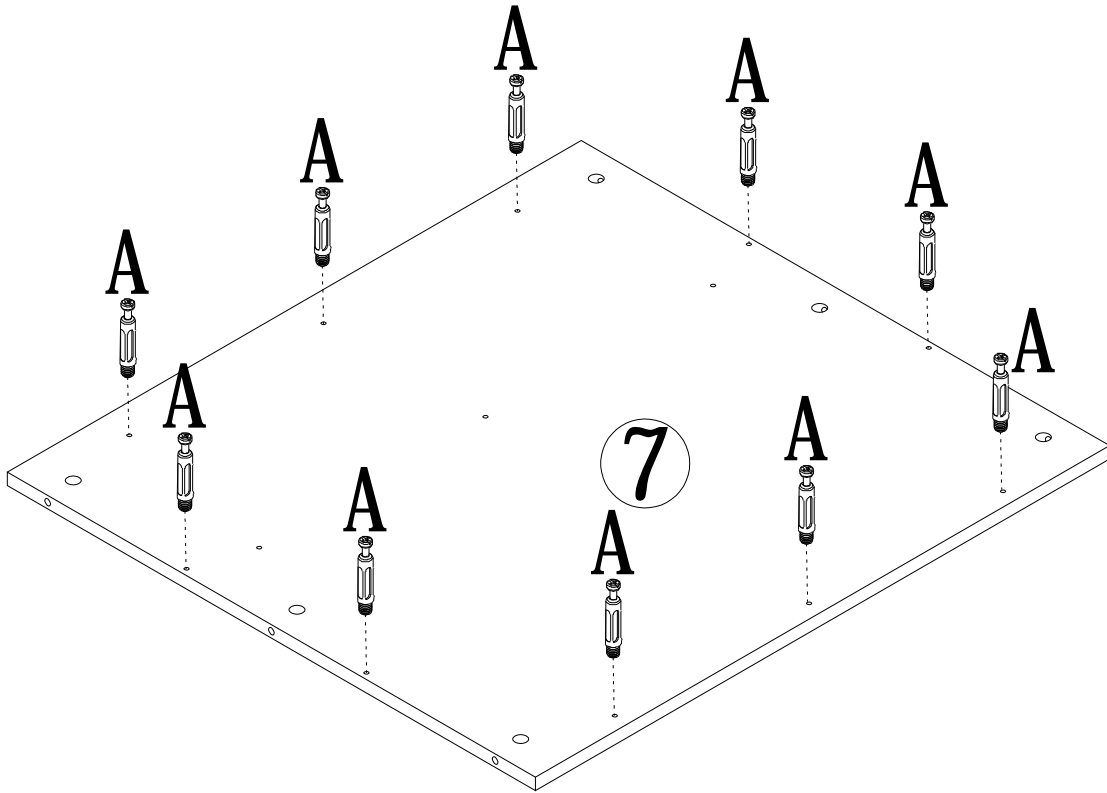
11

11

10

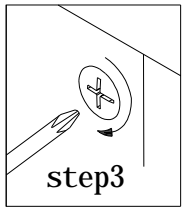
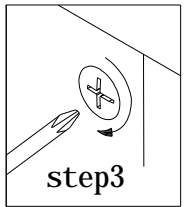
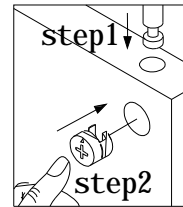
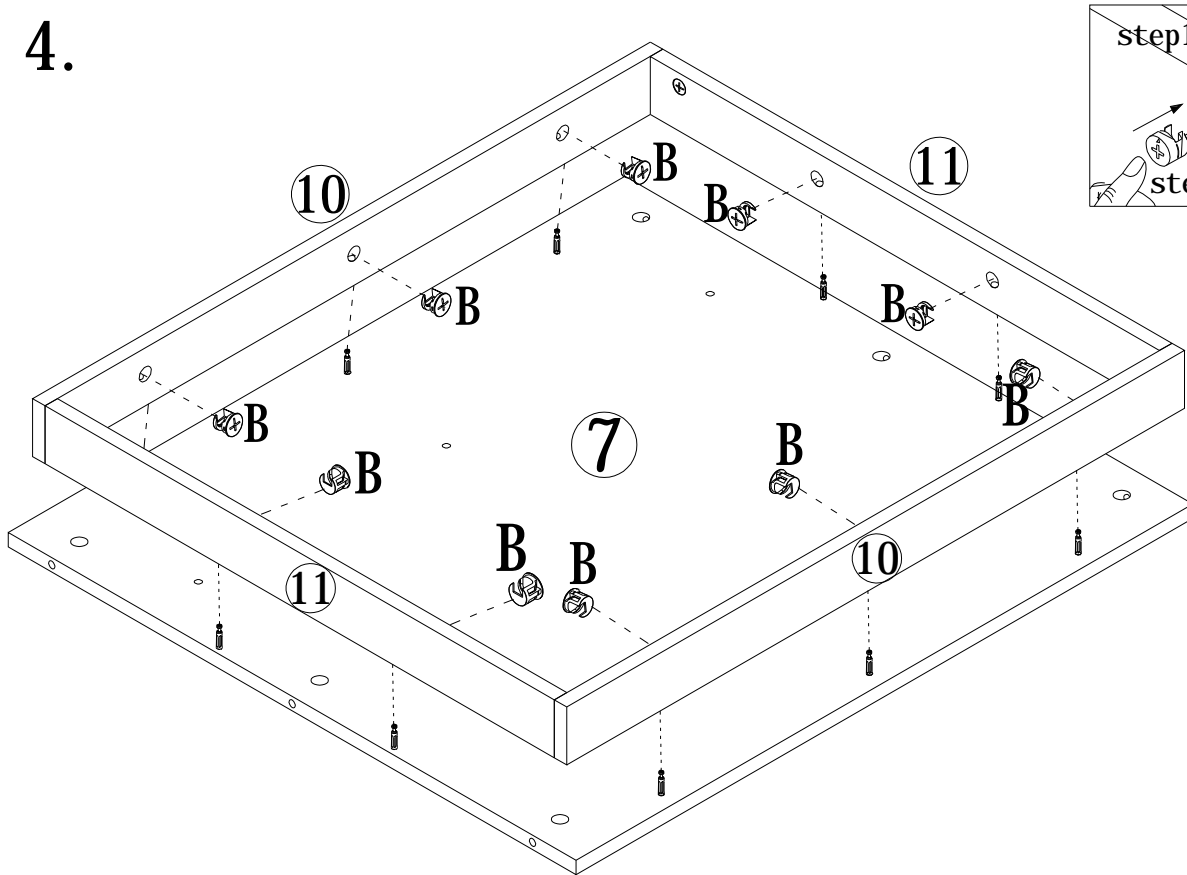



3.



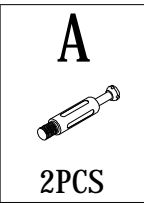
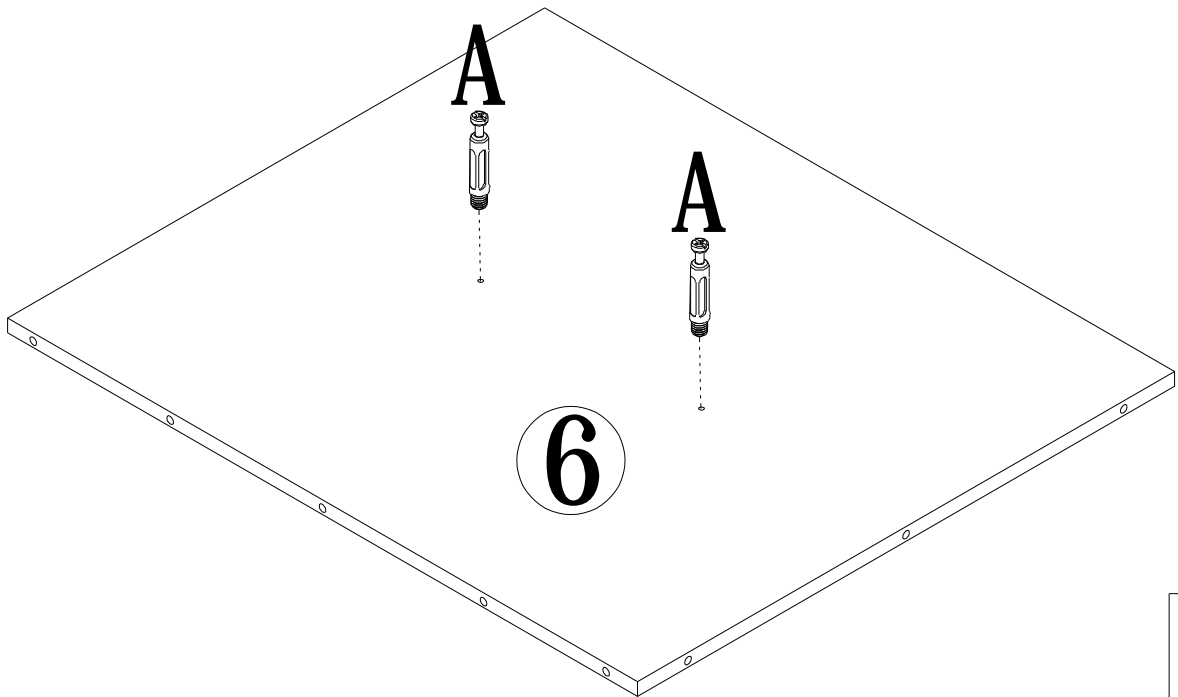
**A**  
  
10PCS

4.

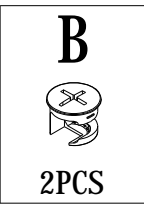
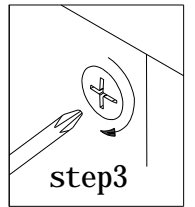
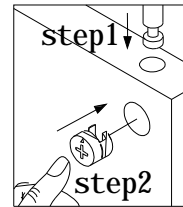
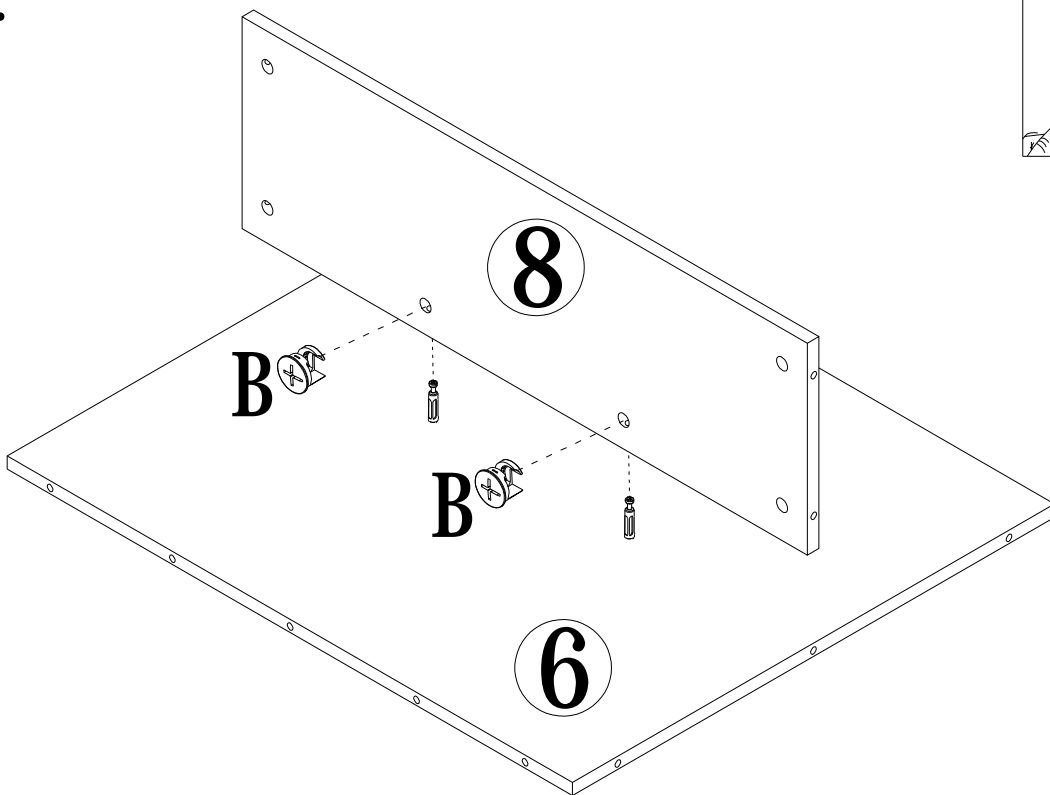


**B**  
  
10PCS

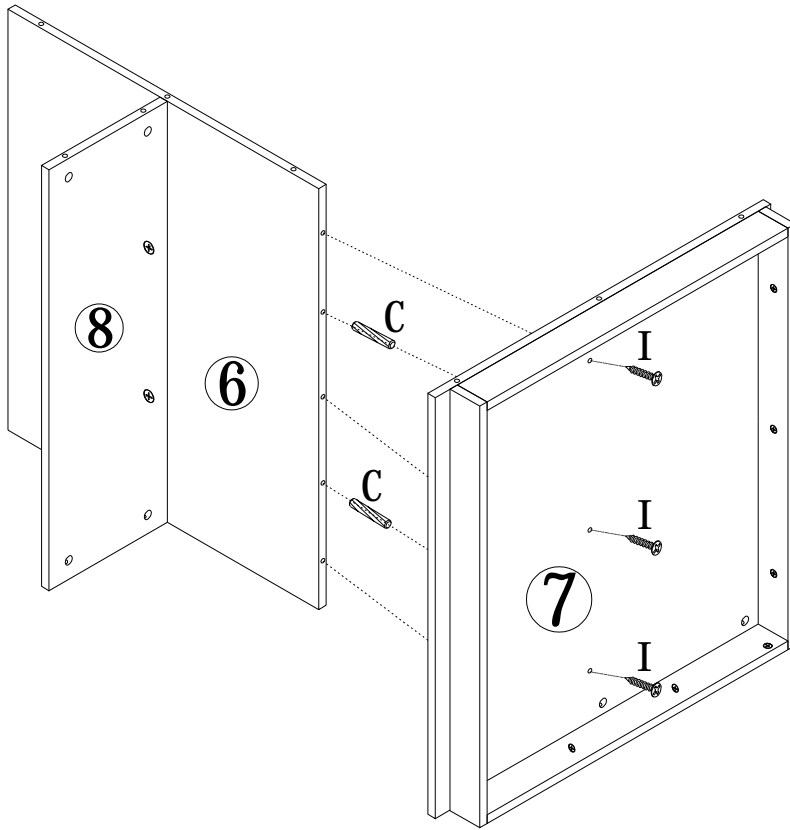
5.

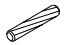



6.

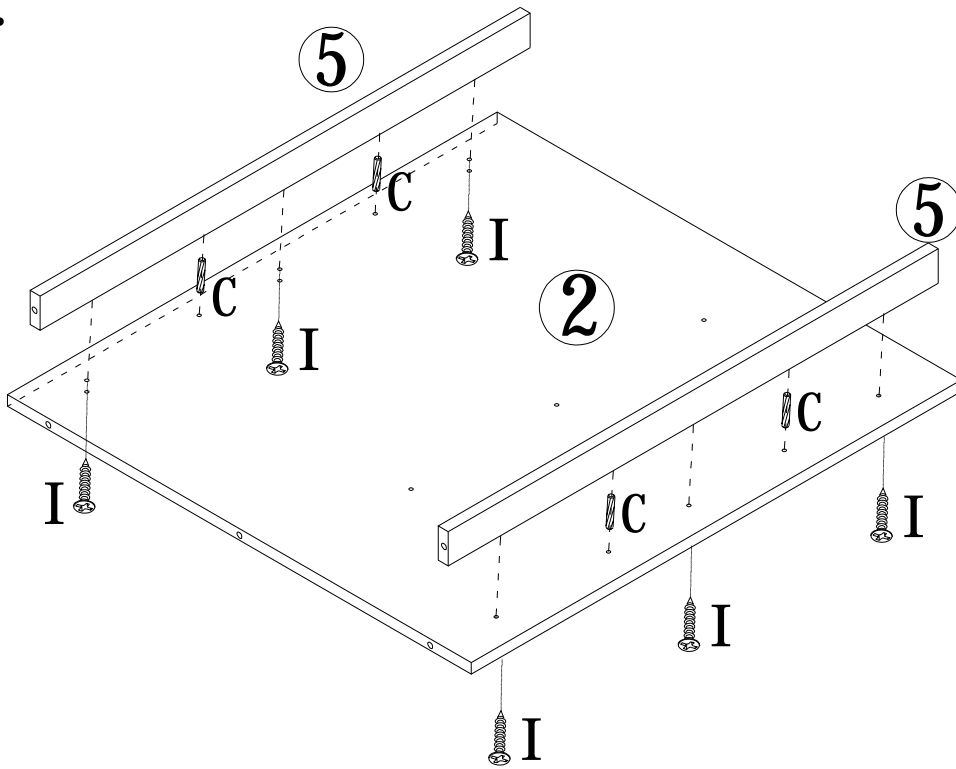




7.



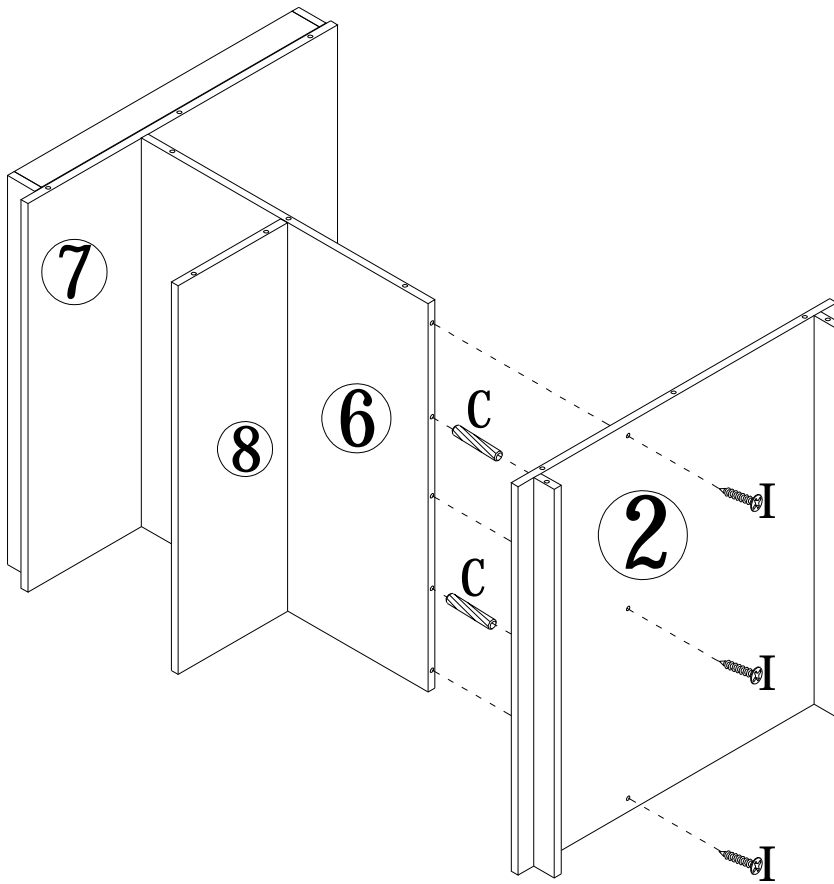
<b>C</b>  2PCS	<b>I</b>  3PCS
---	--

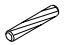

8.



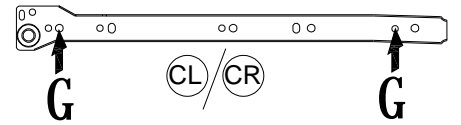
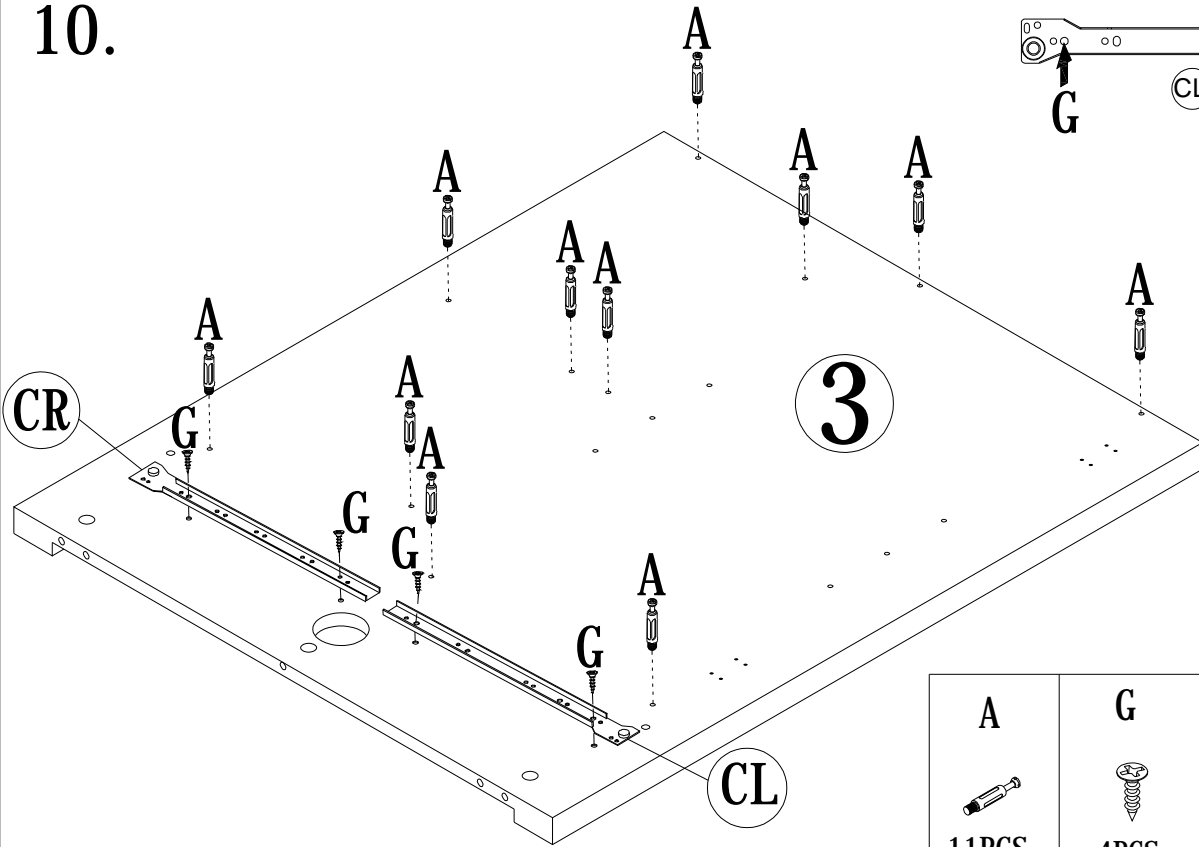
<b>C</b>  4PCS	<b>I</b>  6PCS
---	---



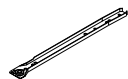

9.



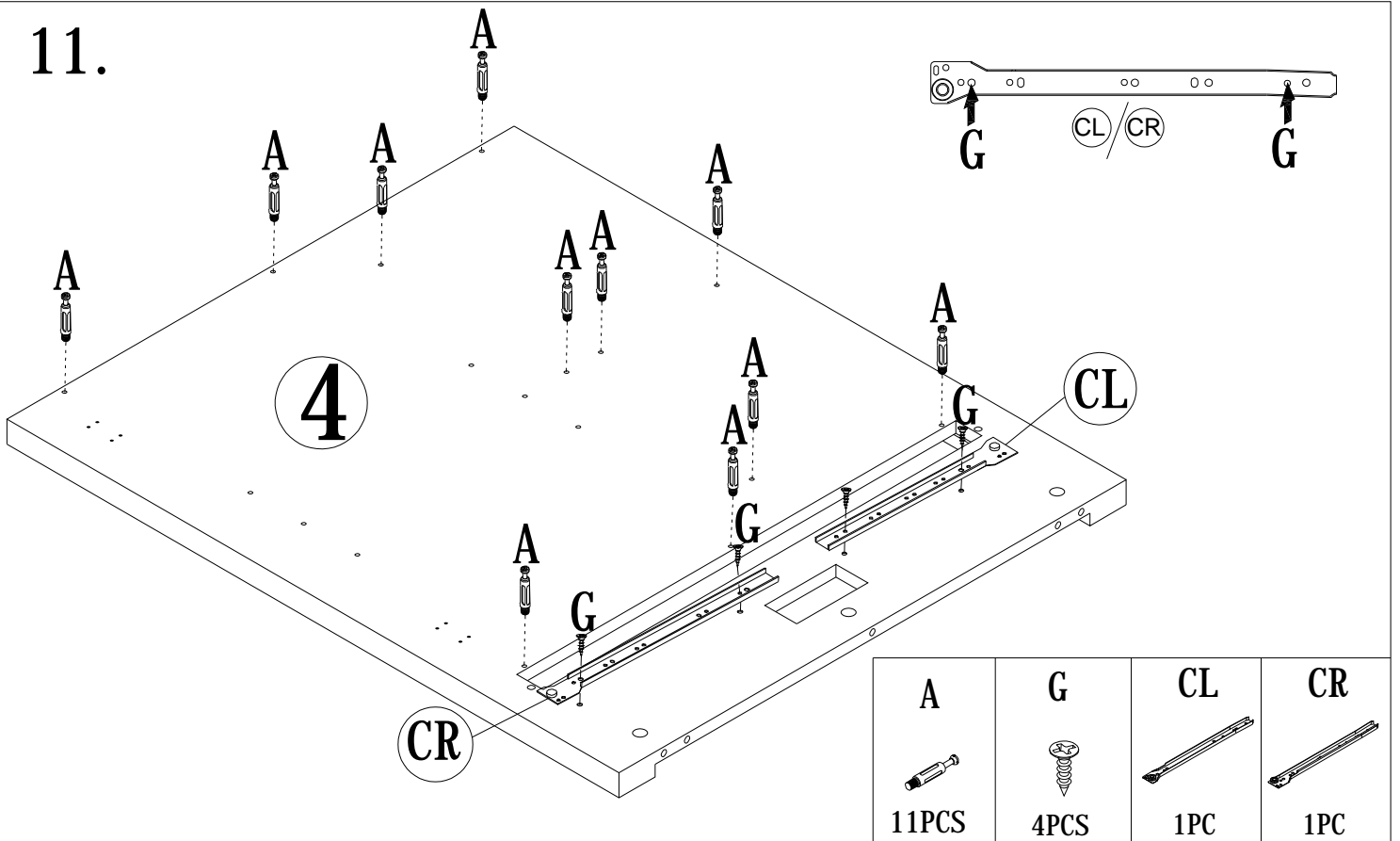
<b>C</b>  2PCS	<b>I</b>  3PCS
---	--

10.

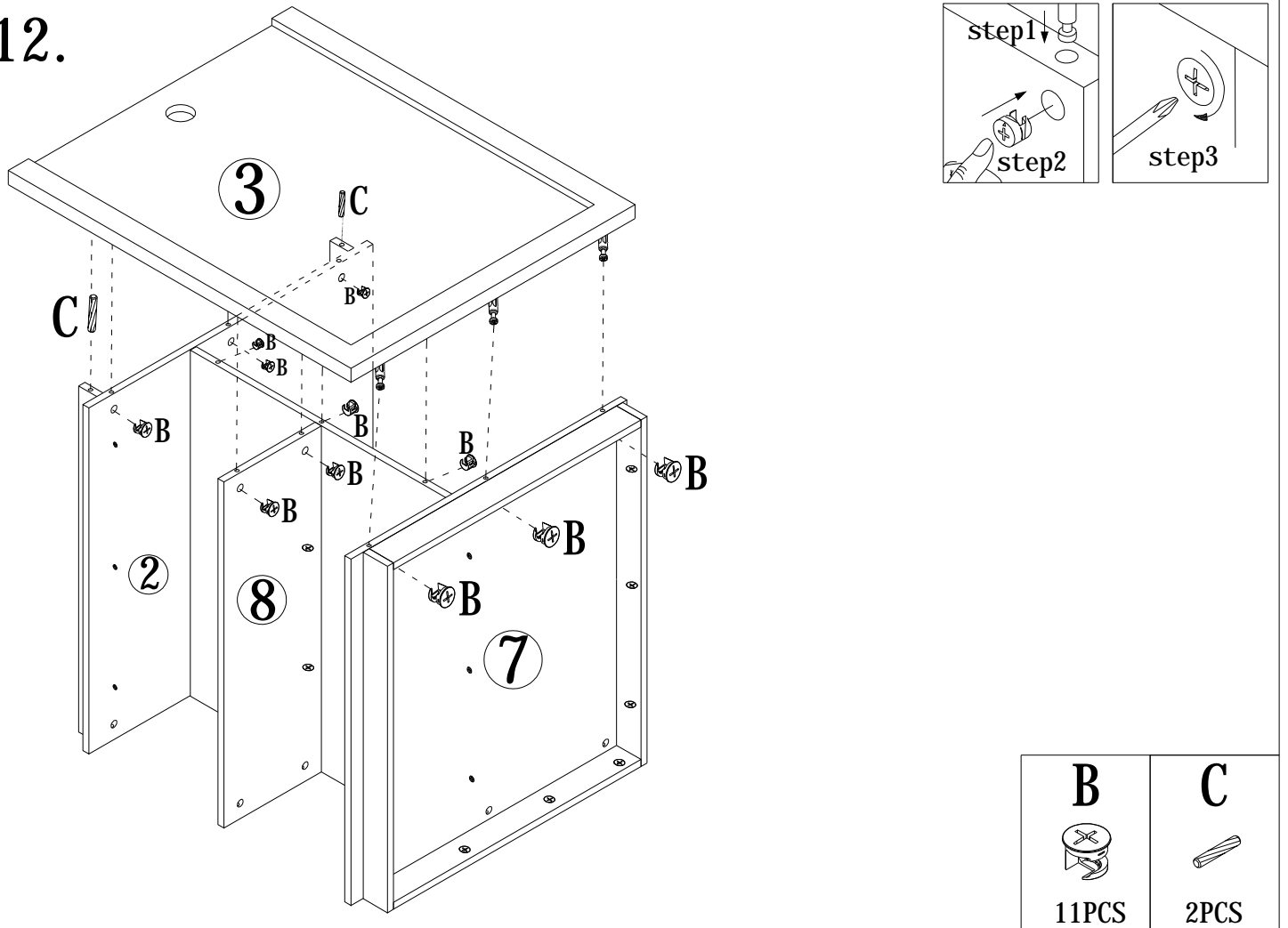


<b>A</b>  11PCS	<b>G</b>  4PCS	<b>CL</b>  1PC	<b>CR</b>  1PC
--	---	---	---

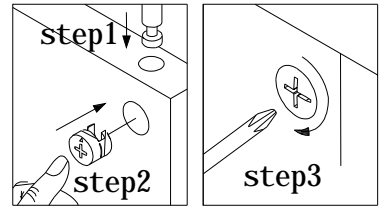
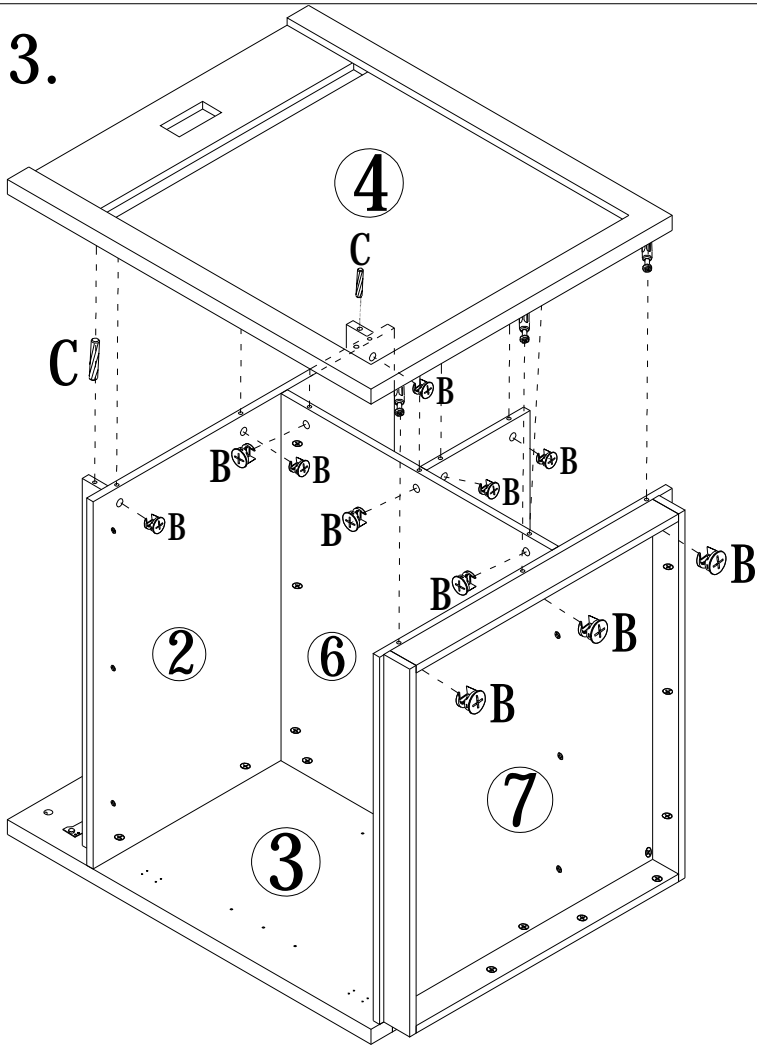
11.


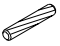


12.

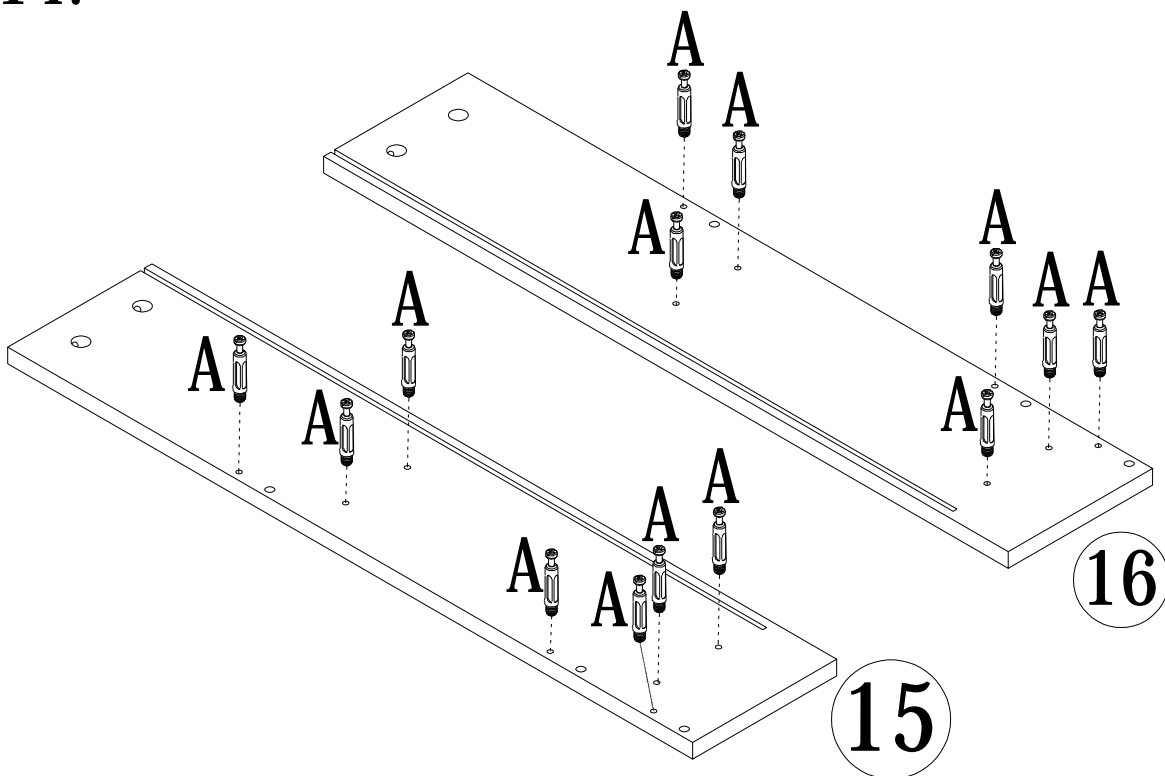


13.



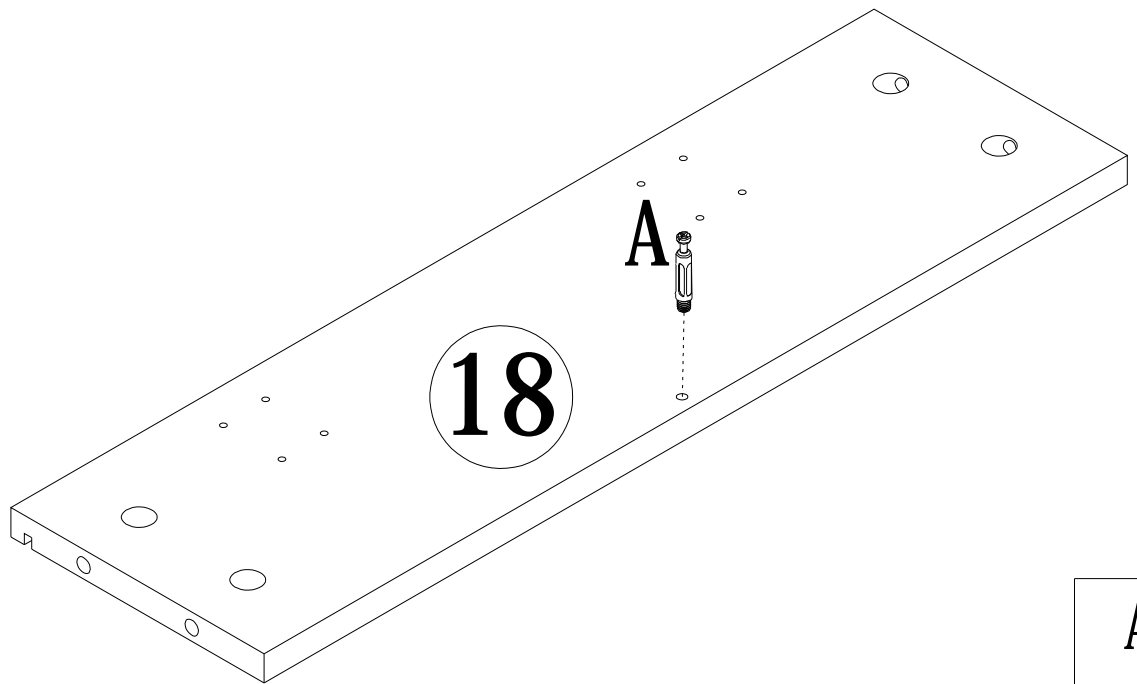
<b>B</b>  11PCS	<b>C</b>  2PCS
--	---

14.



<b>A</b>  14PCS
--

15.

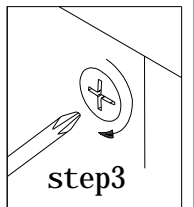
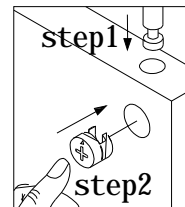
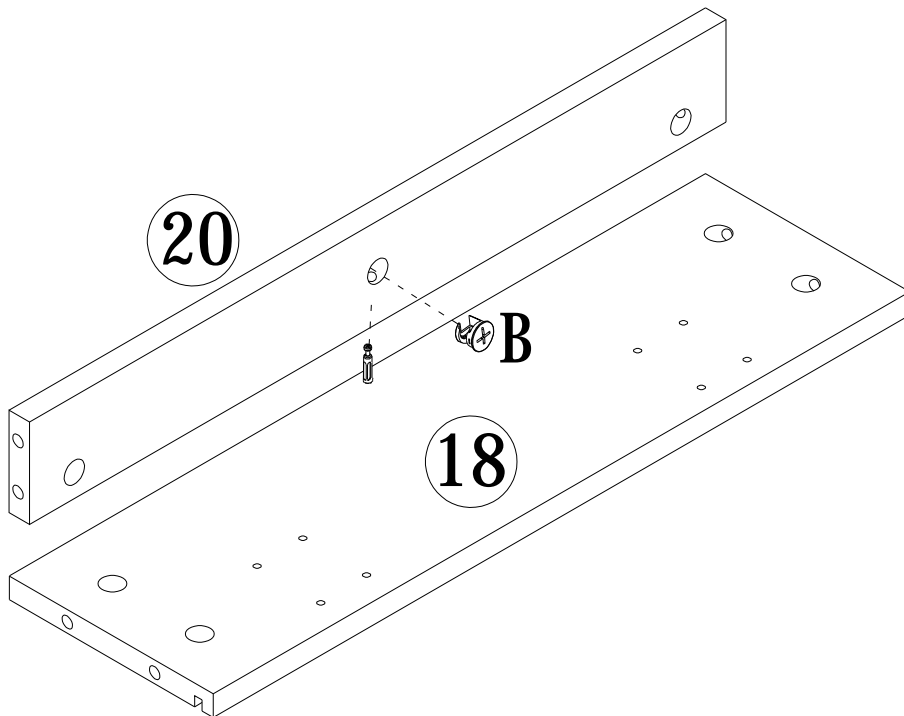


**A**



1PC

16.

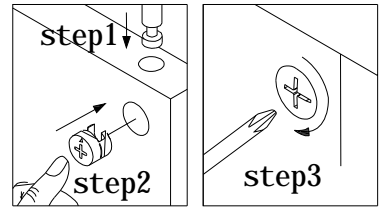
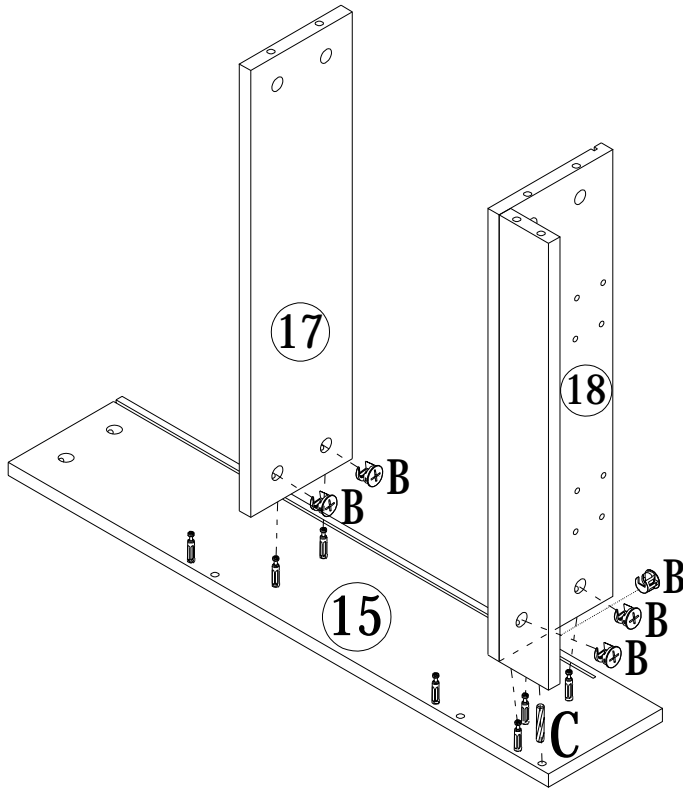




**B**



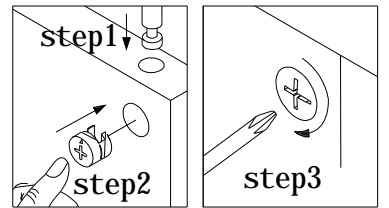
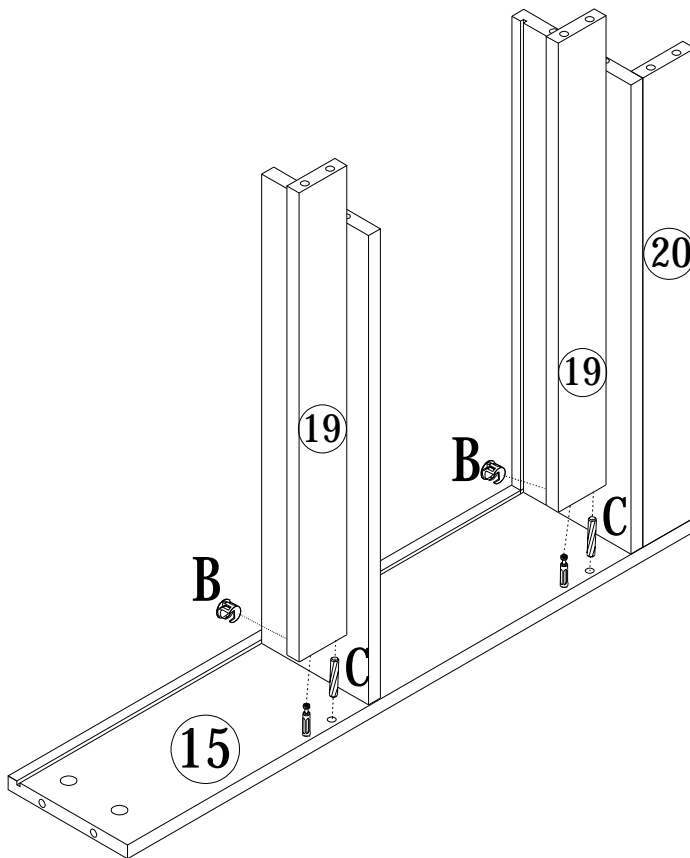
1PC



17.



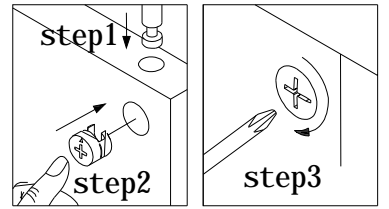
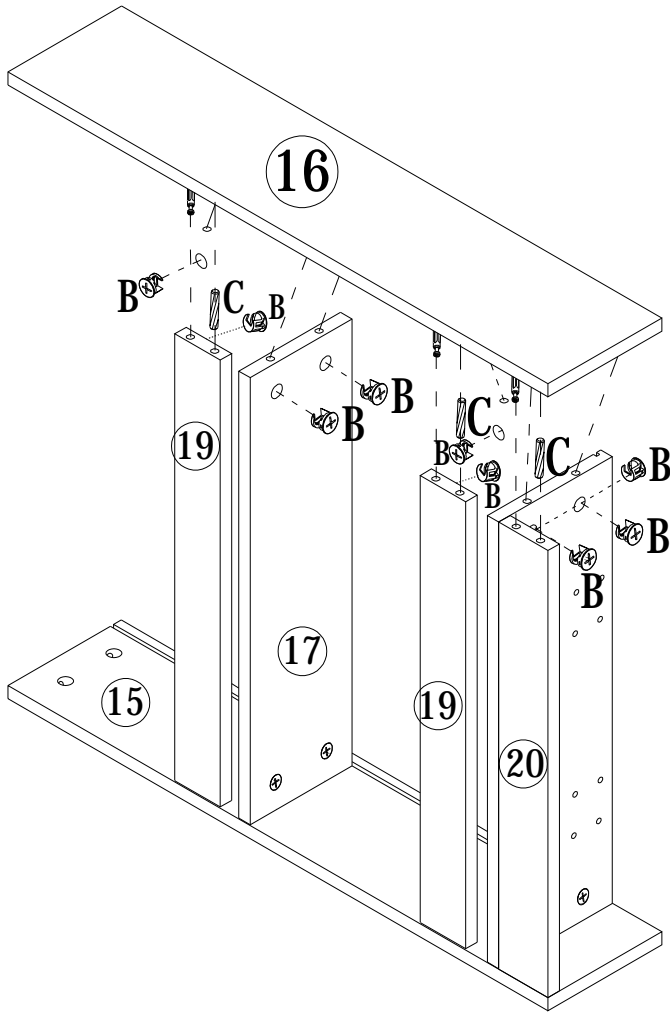
<b>B</b>  5PCS	<b>C</b>  1PC
--	---



18.



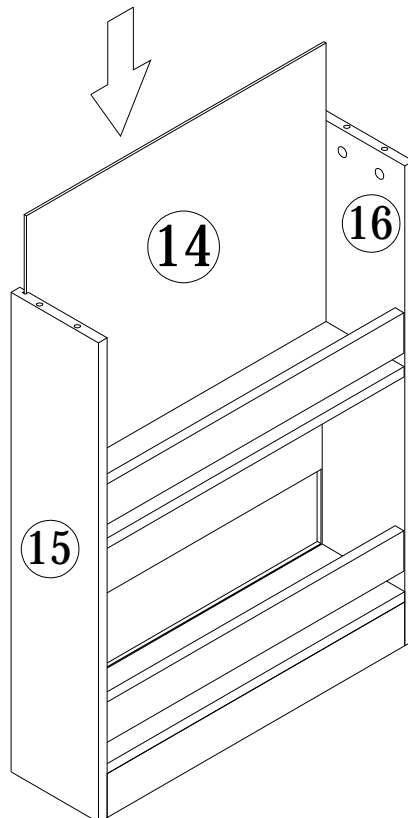
<b>B</b>  2PCS	<b>C</b>  2PCS
---	---

19.

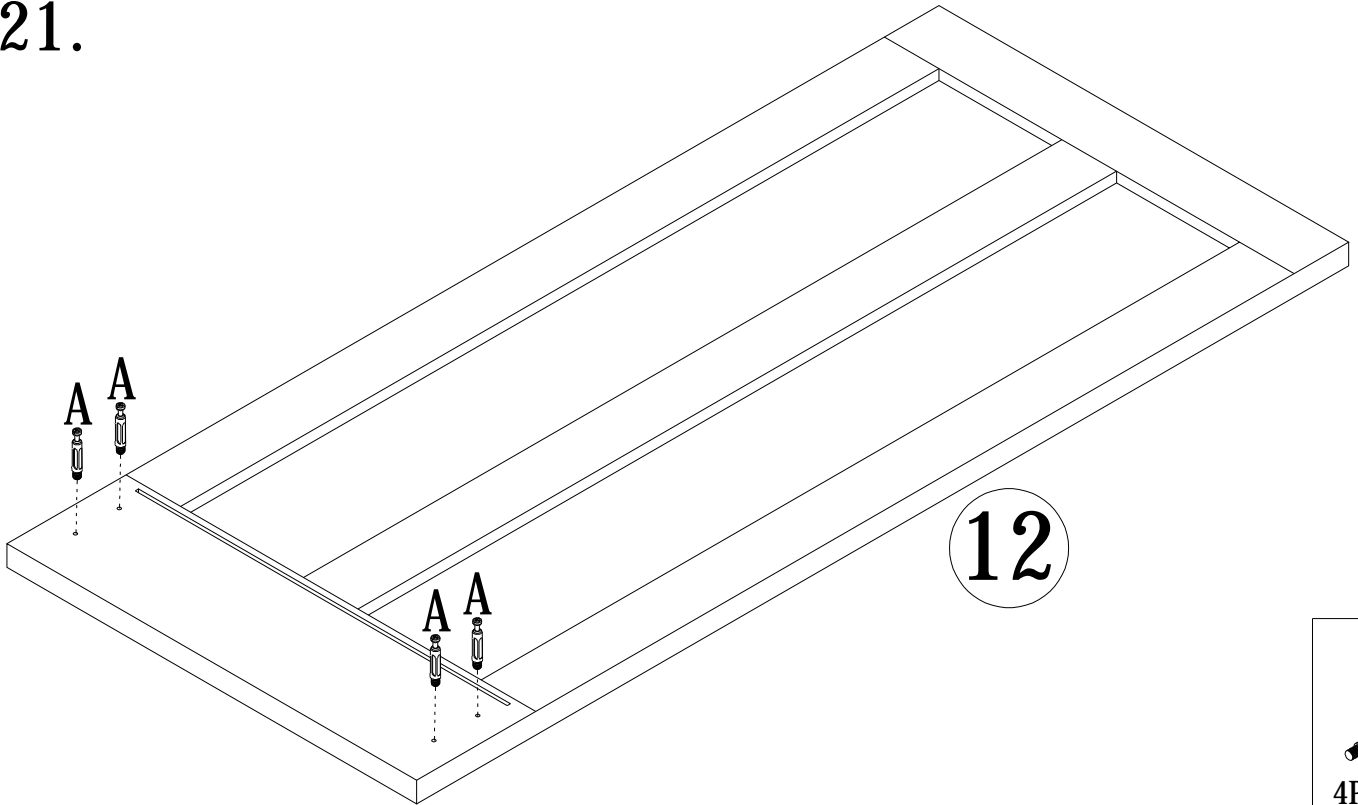


<b>B</b>  7PCS	<b>C</b>  3PCS
---	---

20.



21.

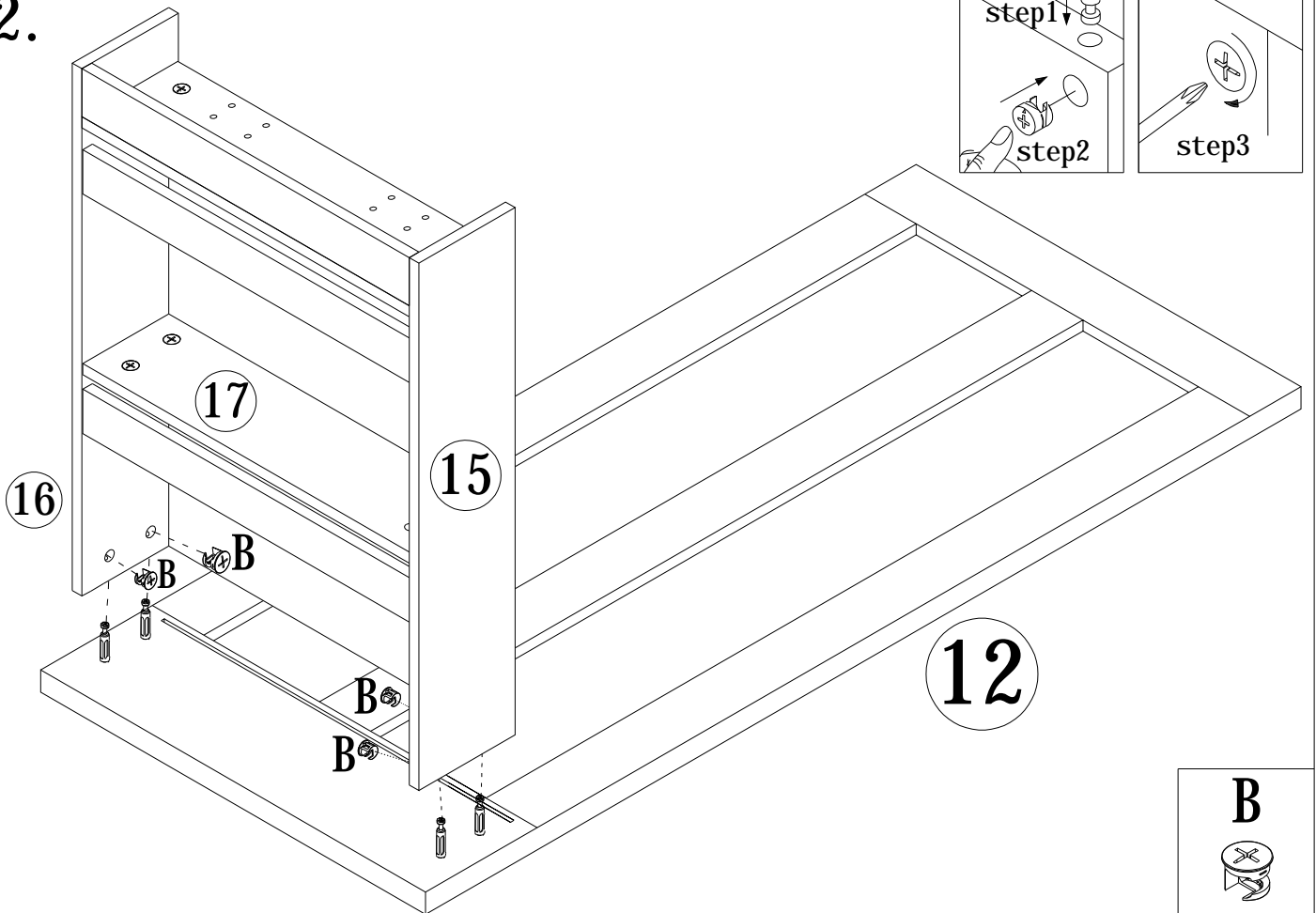


A



4PCS

22.



step1



step2

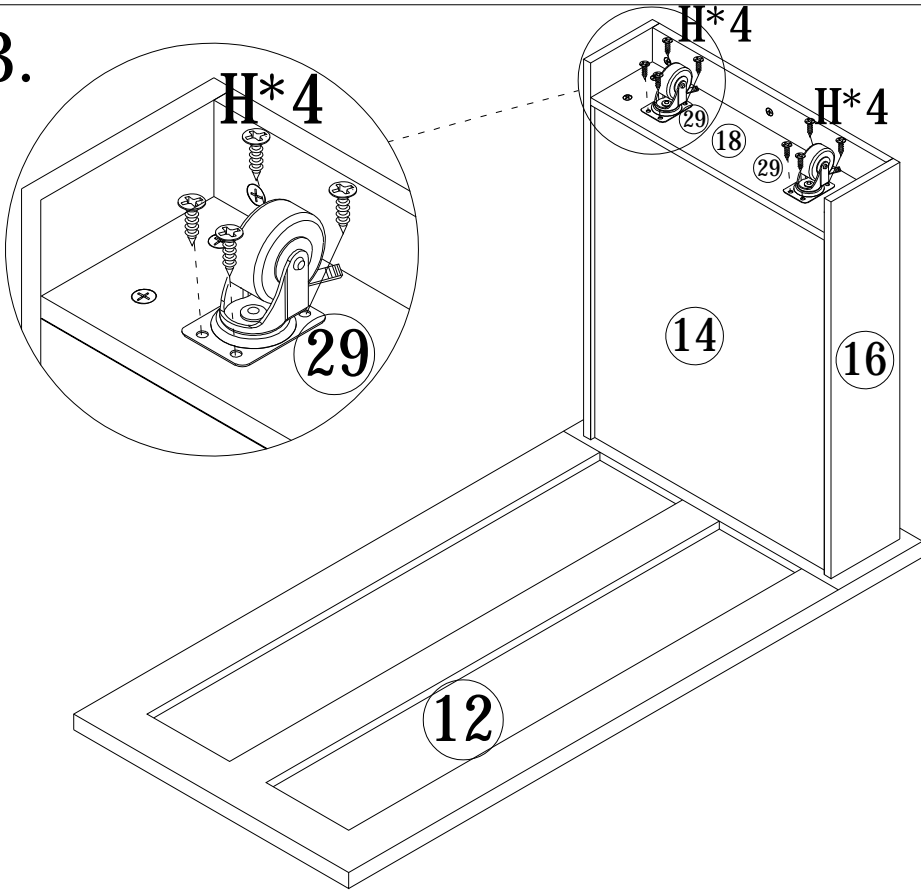
step3



B



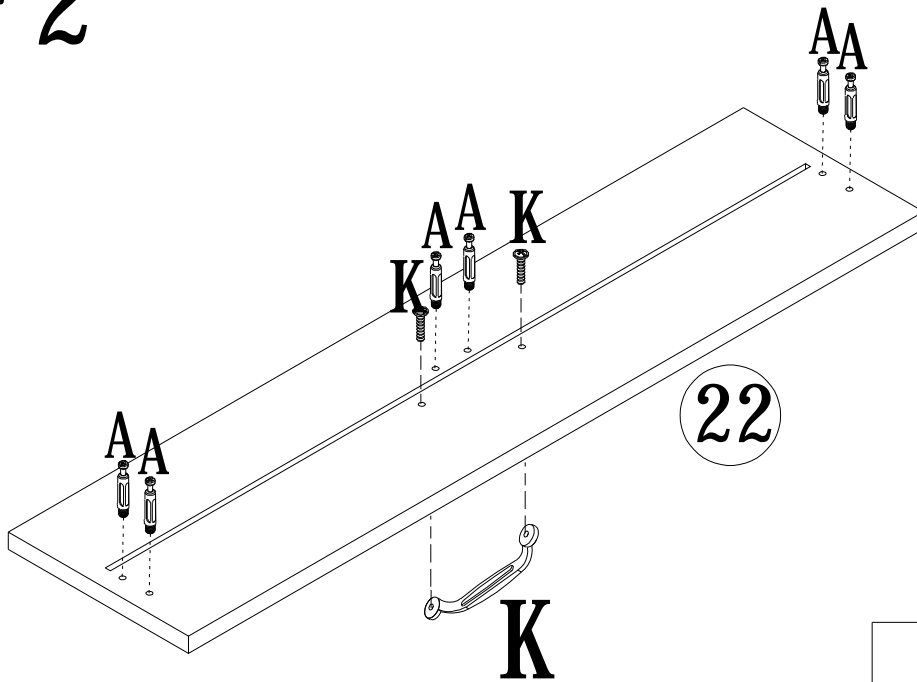
4PCS




23.



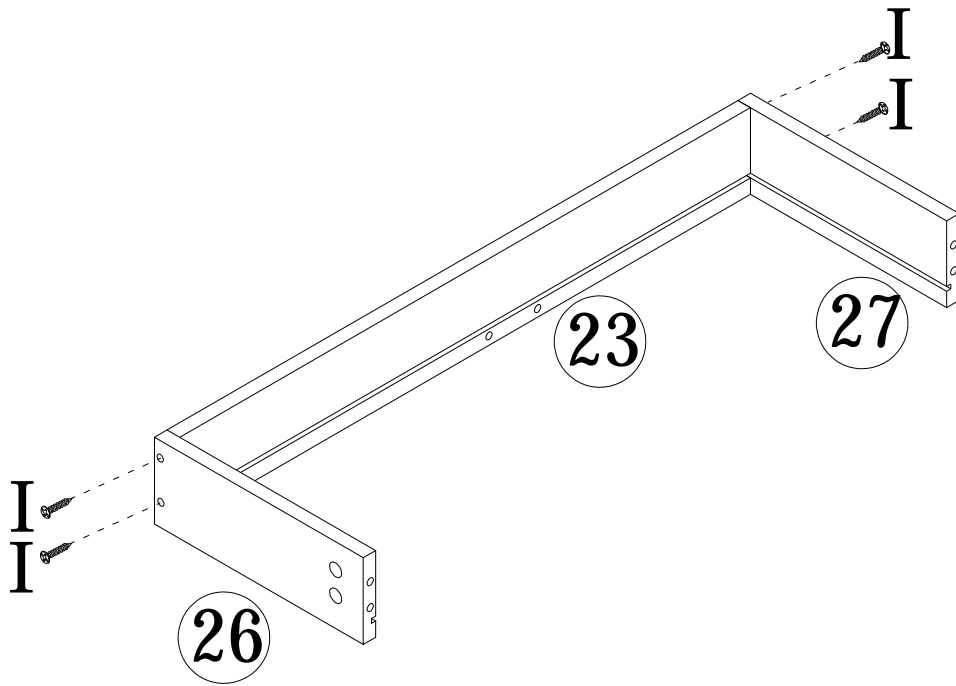
 29 2PCS	 H 8PCS
--	---

24. \*2



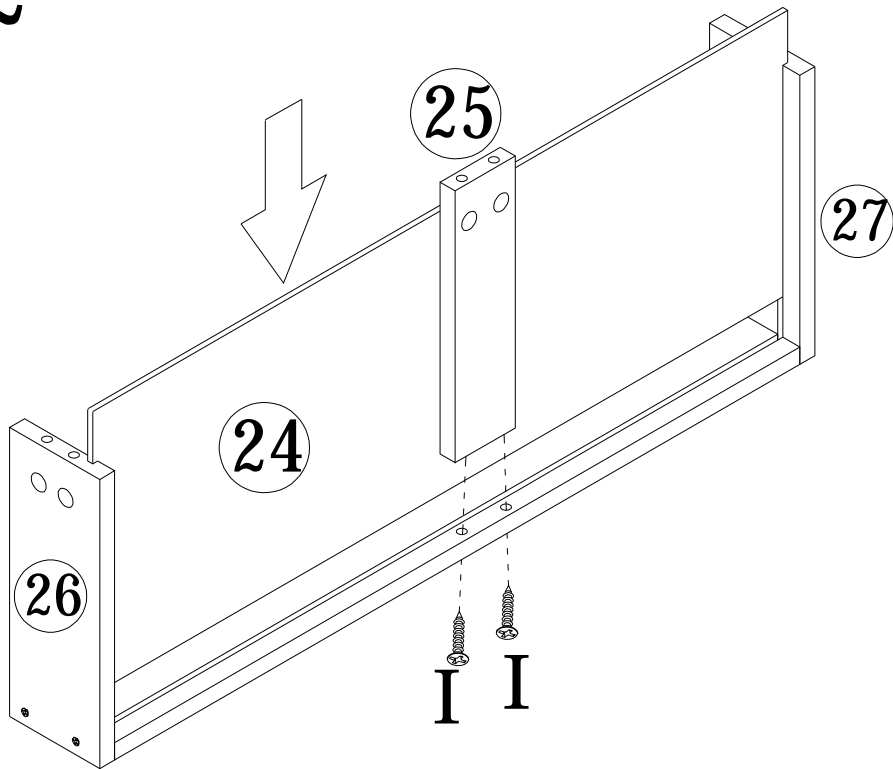
 A 12PCS	 K 2PCS	 K 4PCS
---	--	--

25. \*2



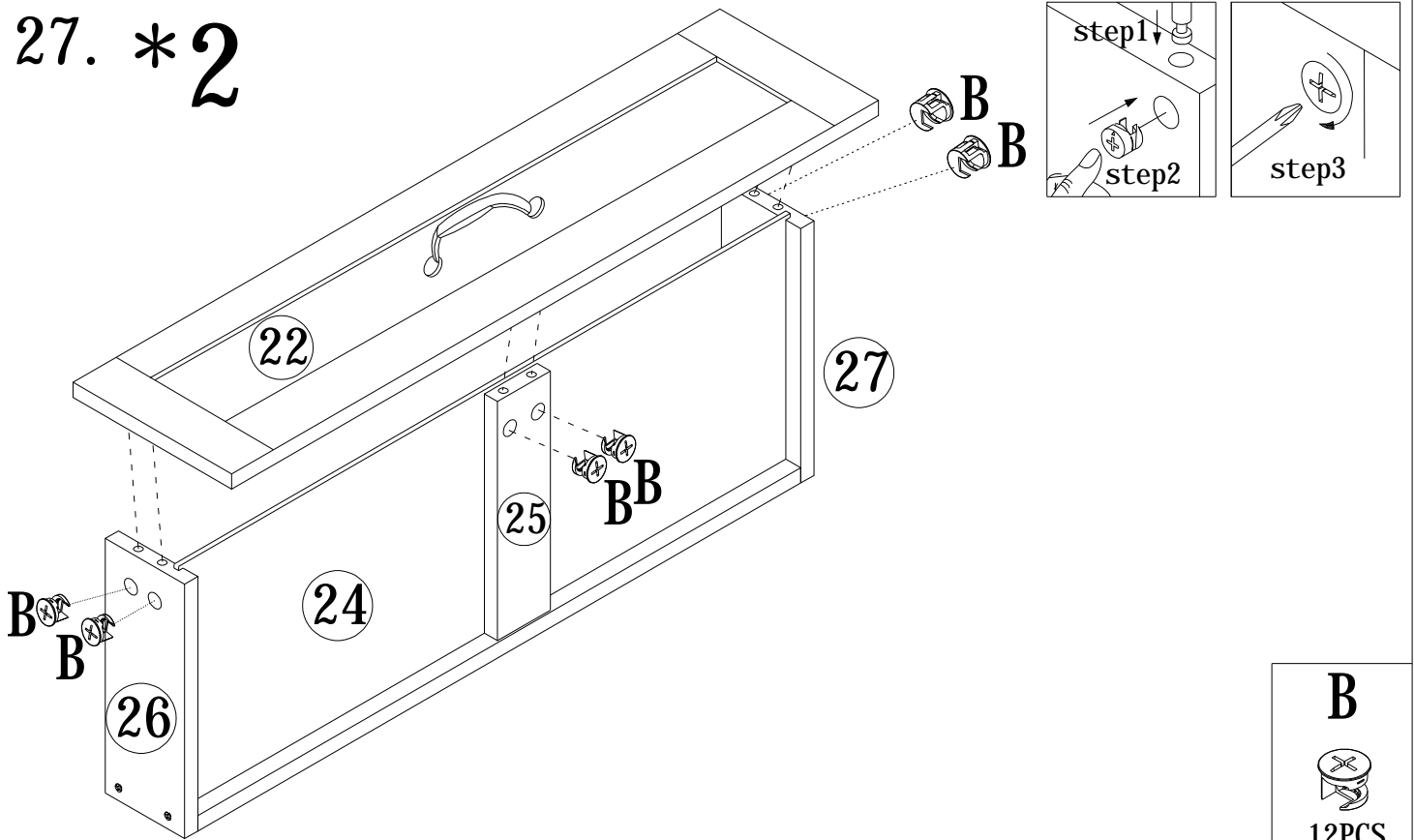
I  
↓  
8PCS

26. \*2



I  
↓  
4PCS

27. \*2

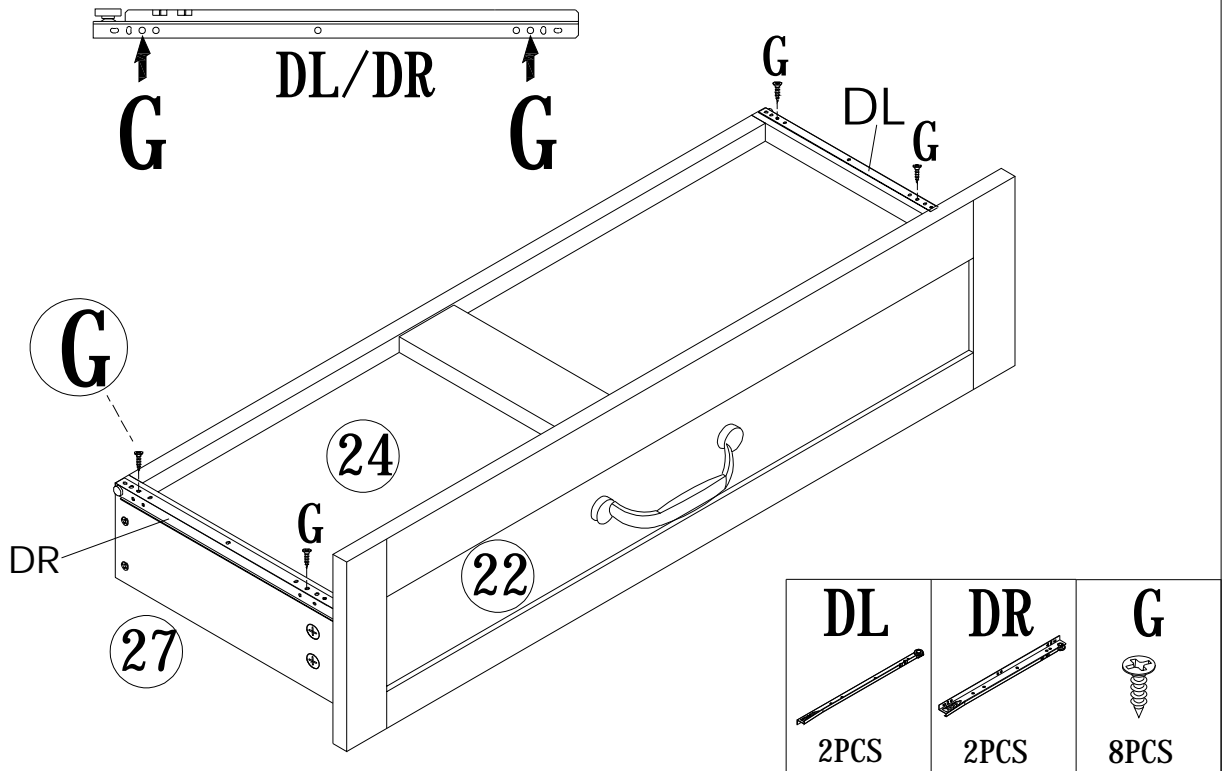


B



12PCS

28. \*2

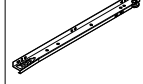


DL



2PCS

DR



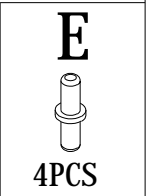
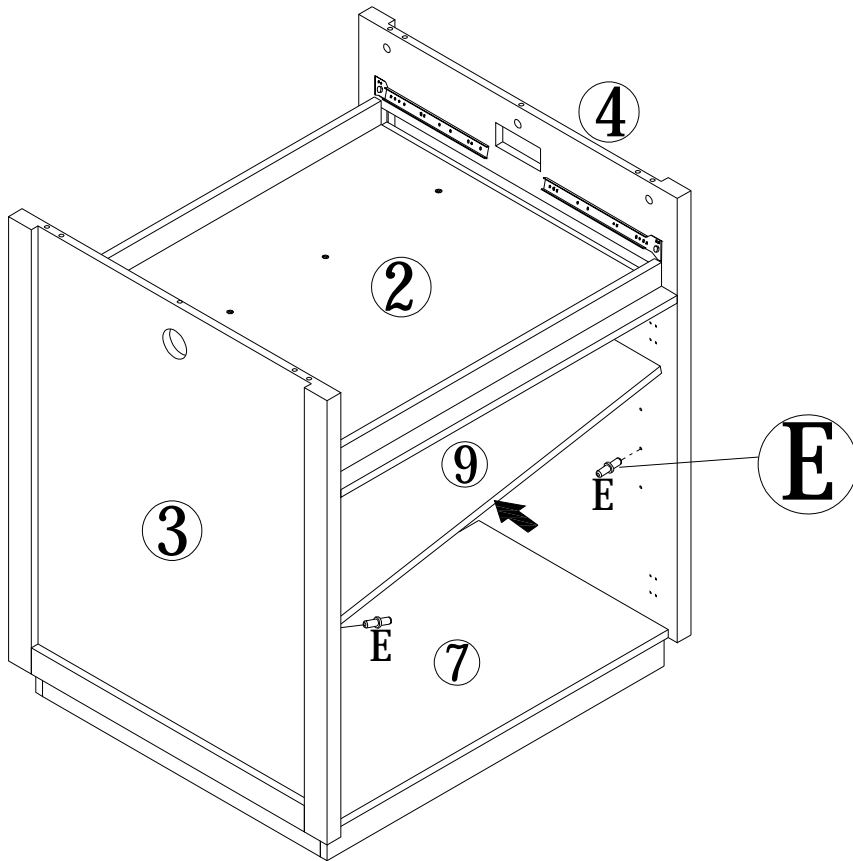
2PCS

G

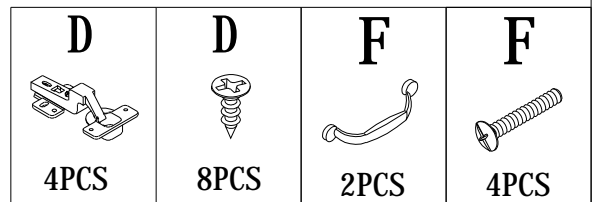
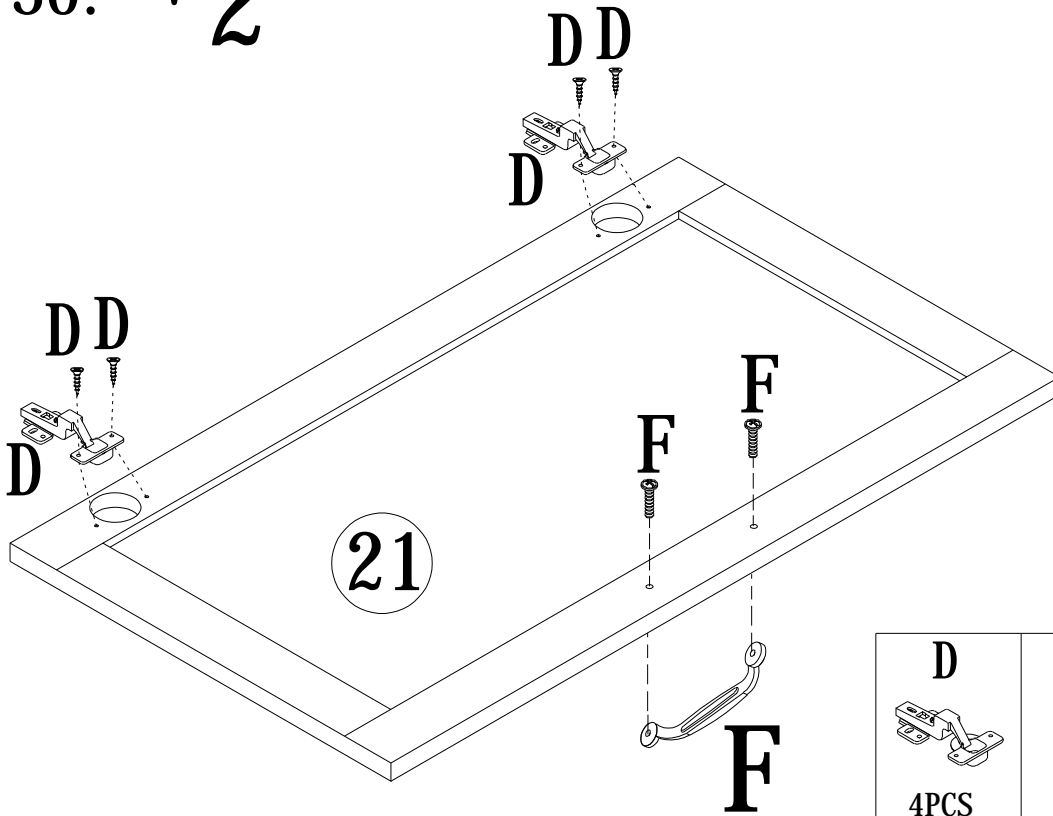


8PCS

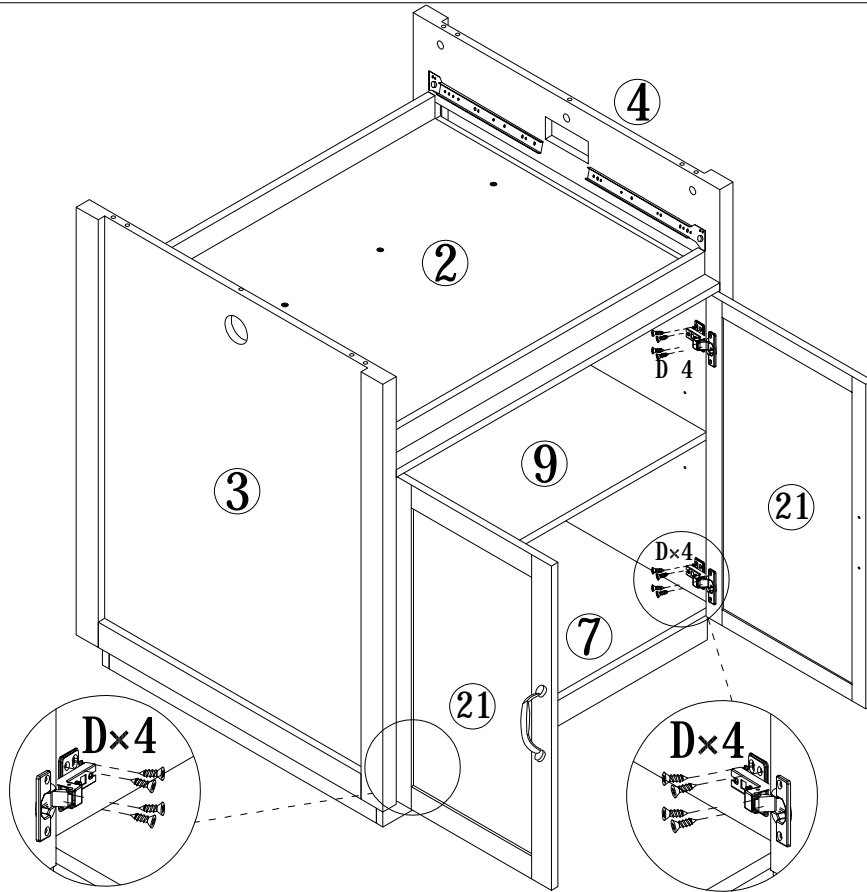
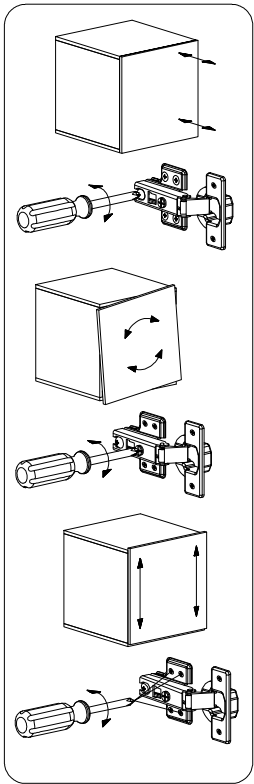
29.



30. \*2

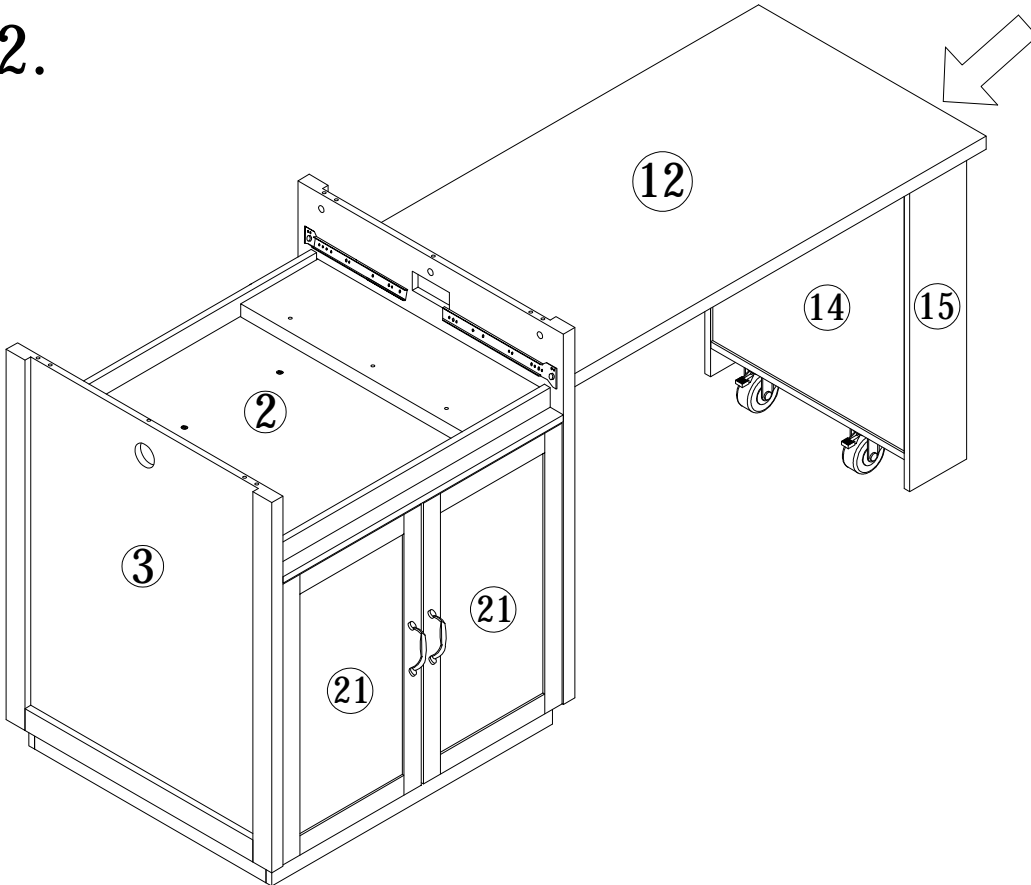


31.

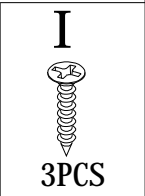
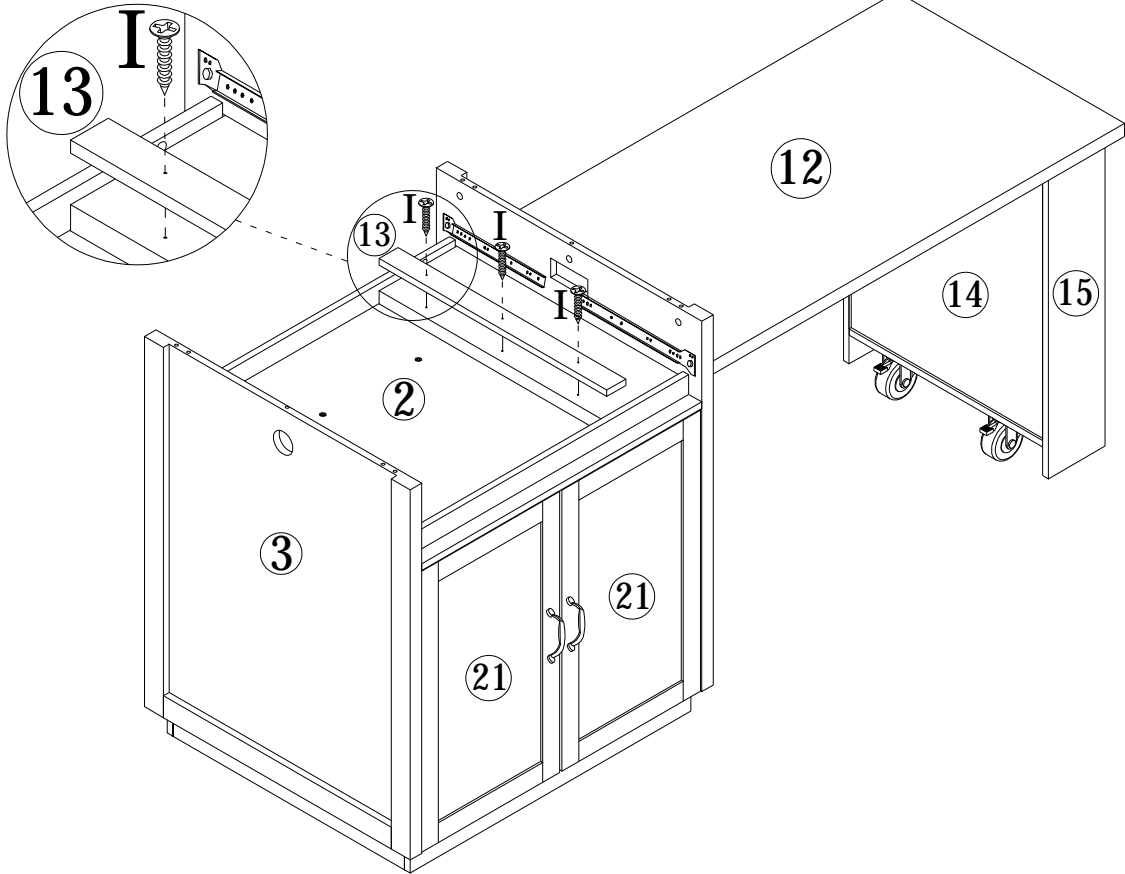


**D**  
  
16PCS

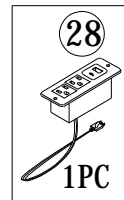
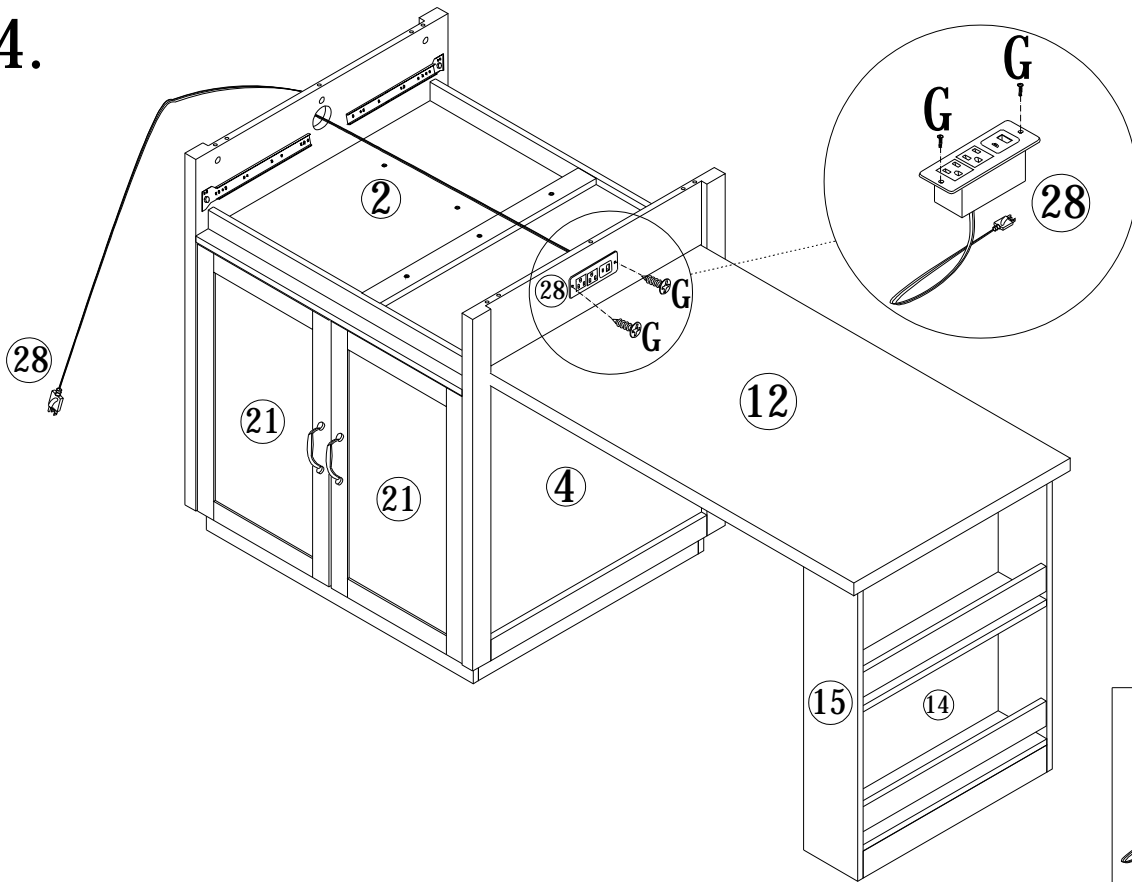
32.



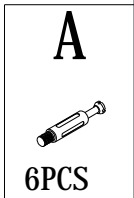
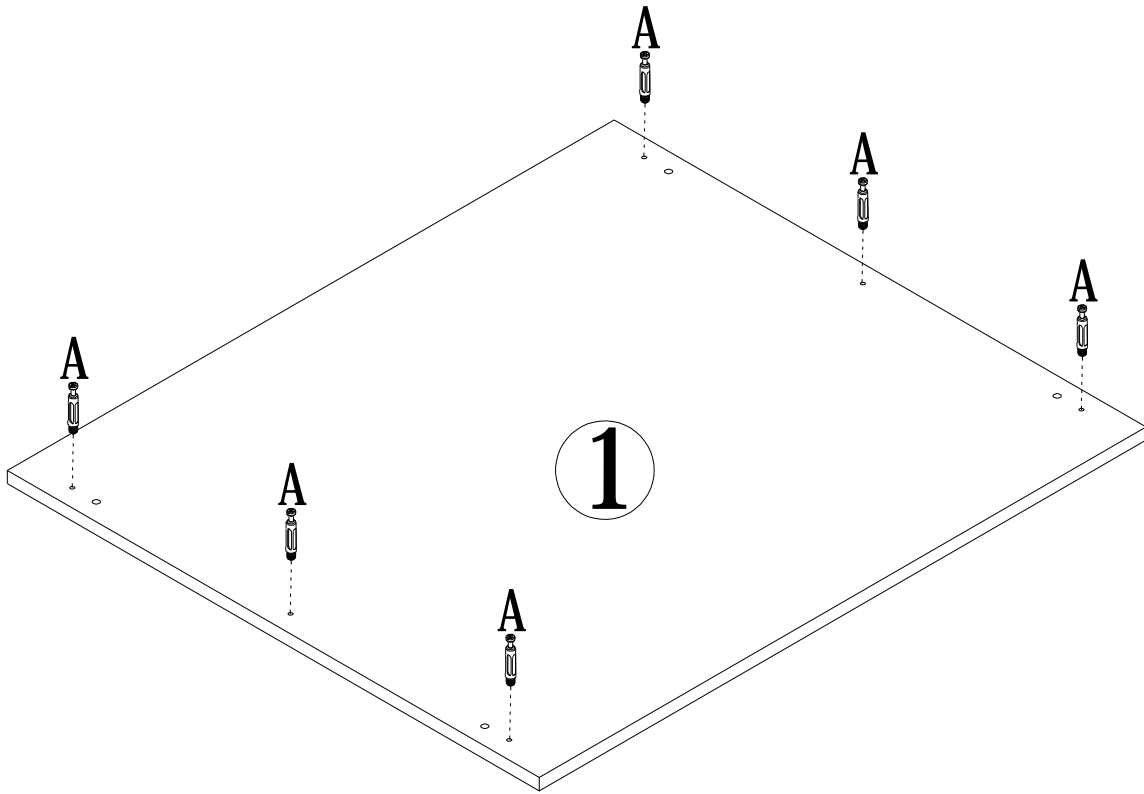
33.



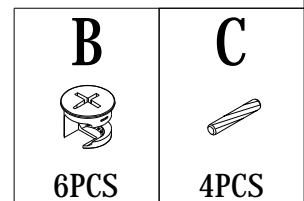
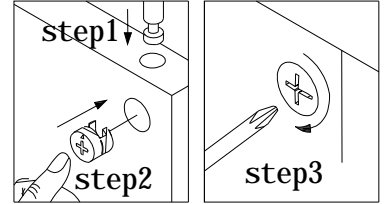
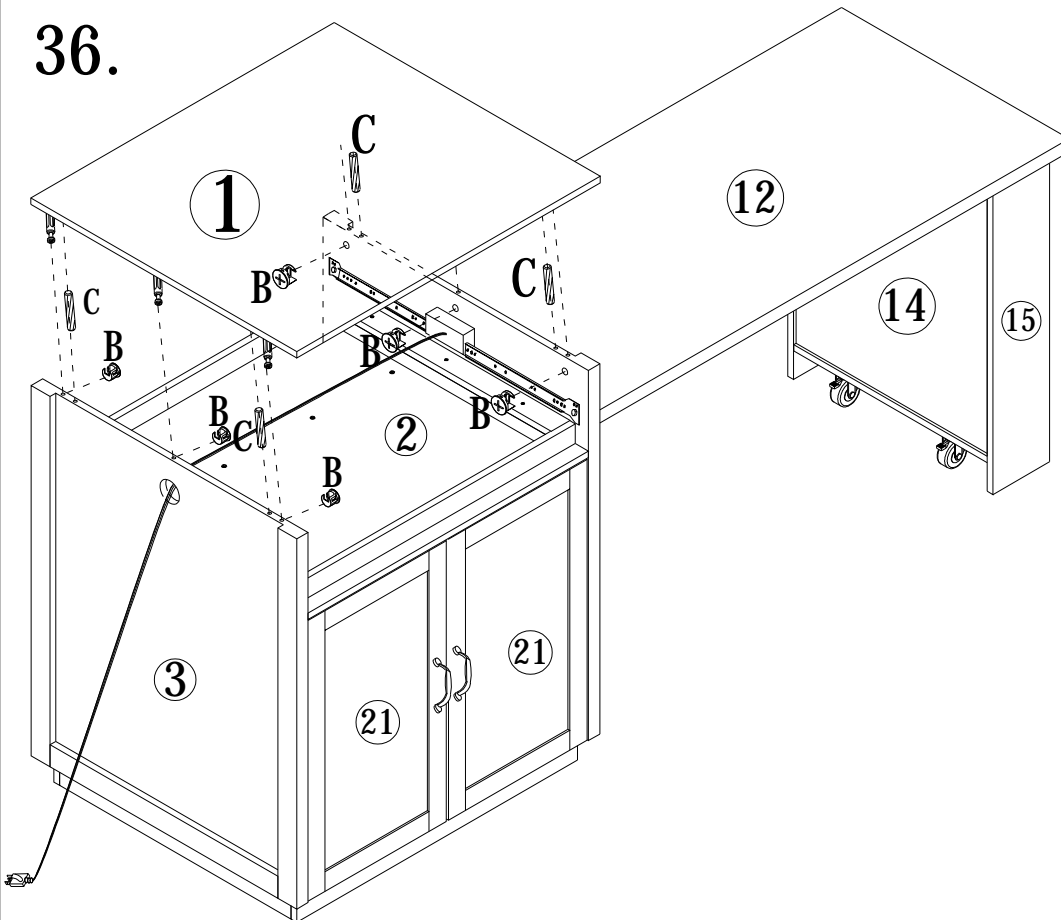
34.



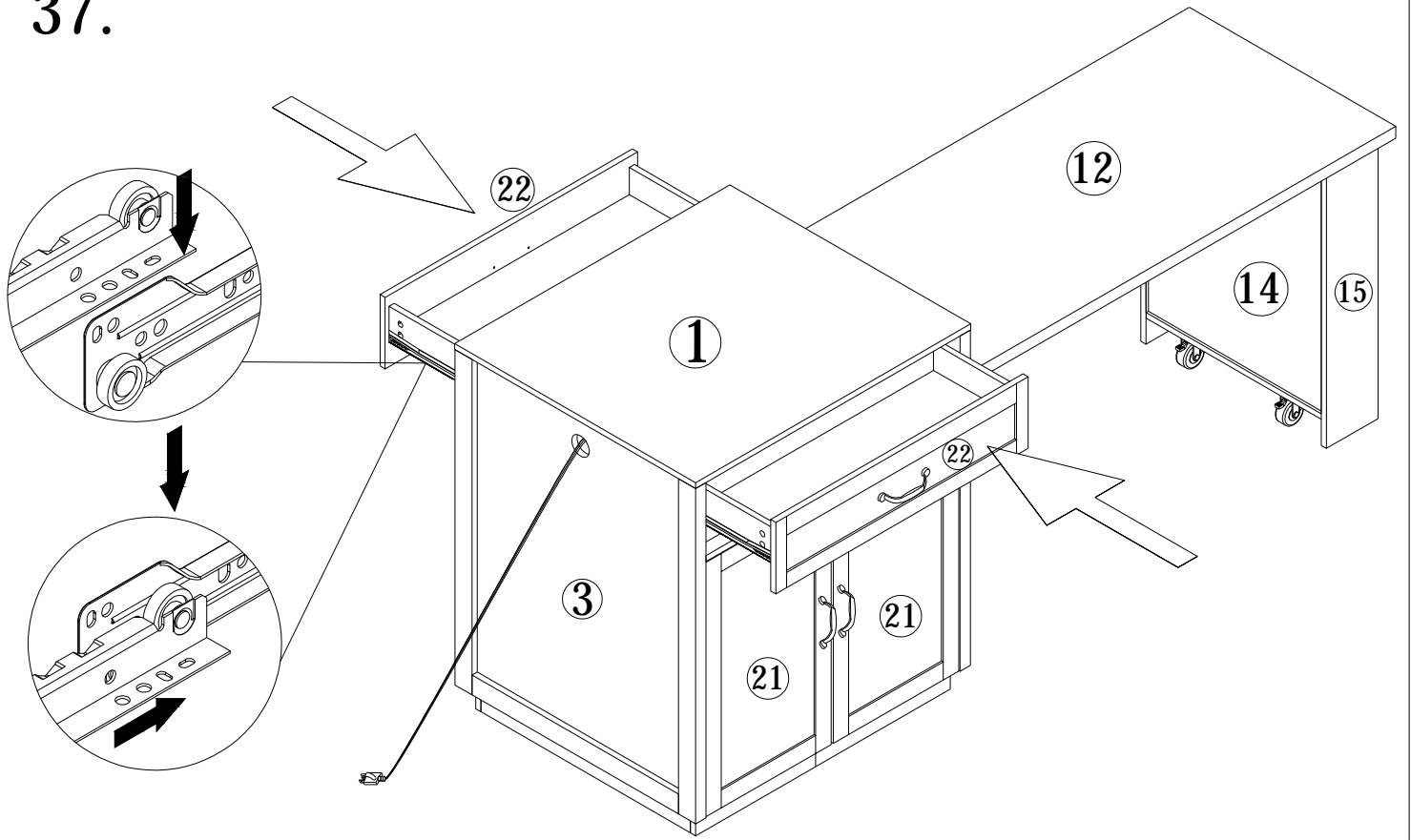
35.



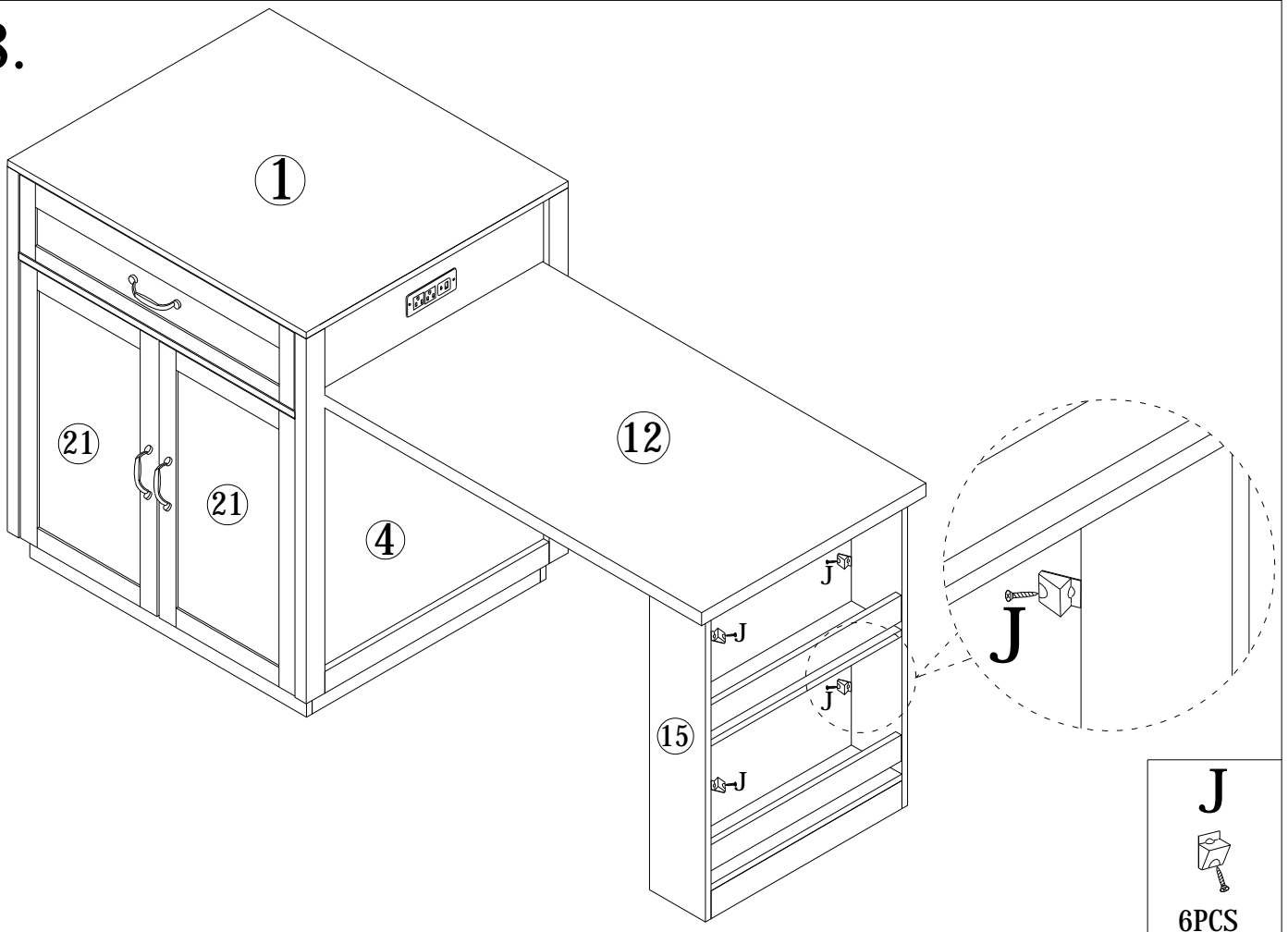
36.




37.



38.



**J**  
  
6PCS

39.

