

# **INSTALLATION**

## *Product Manual*

Version: 210274US-01-24A-AA



### **IMPORTANT INFORMATION!**

please read the entire manual before starting to assemble and/or using this product. follow the manual thoroughly and keep it for further reference.



### **AVOID SCRATCHES!**

In order to avoid scratching this furniture should be assembled on a soft layer - could be a rug.



### **IMPROVE EFFICIENCY !**

Try to find a partner to install with you, which can speed up the installation efficiency and shorten the time.



### **ANTI-TOPPLE WARNING !**

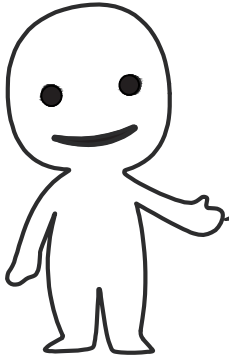
Overturnd furniture can cause serious or fatal crush injuries. To prevent tipping over, be sure to use the wall attachment, if not included with this product. Please purchase the wall attachment that fit your wall. If unsure, seek professional advice. Please read and follow each step of the instructions carefully.

### **IMPORTANT !**

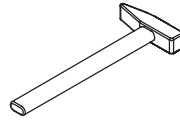
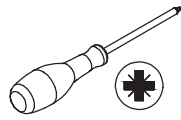
It is important that any product which is assembled using any kind of screw is re-tightened 2 weeks after assembly, and once every 3 months - in order to assure stability through-out the lifespan of the product.

For regular maintenance and cleaning of the product, for the frame, please use a rag dipped in neutral detergent to fully wipe it, and then dry it with a clean rag. For glass materials, wipe with a rag dampened with water glass cleaner, and then dry with a dry rag.

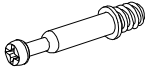

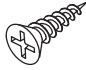
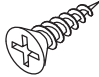
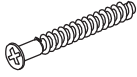
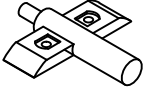
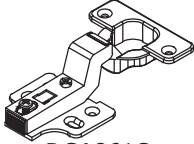
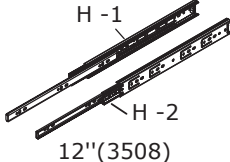
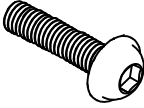
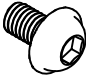
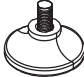

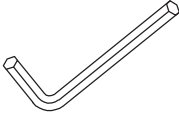
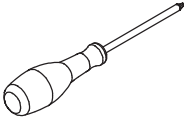


Do not use an electric screwdriver, and do not use too much force when installing, because the board is easy to break.

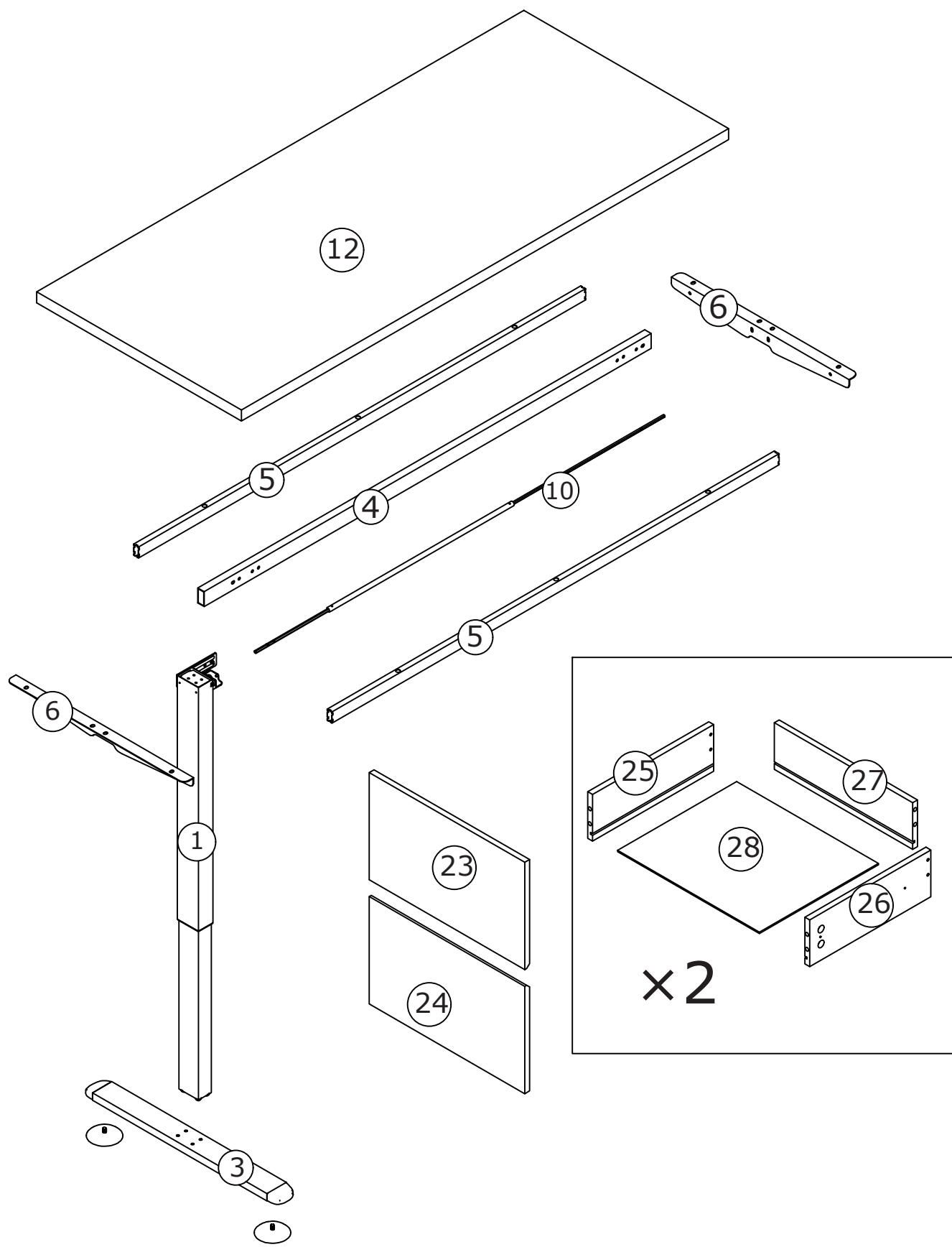


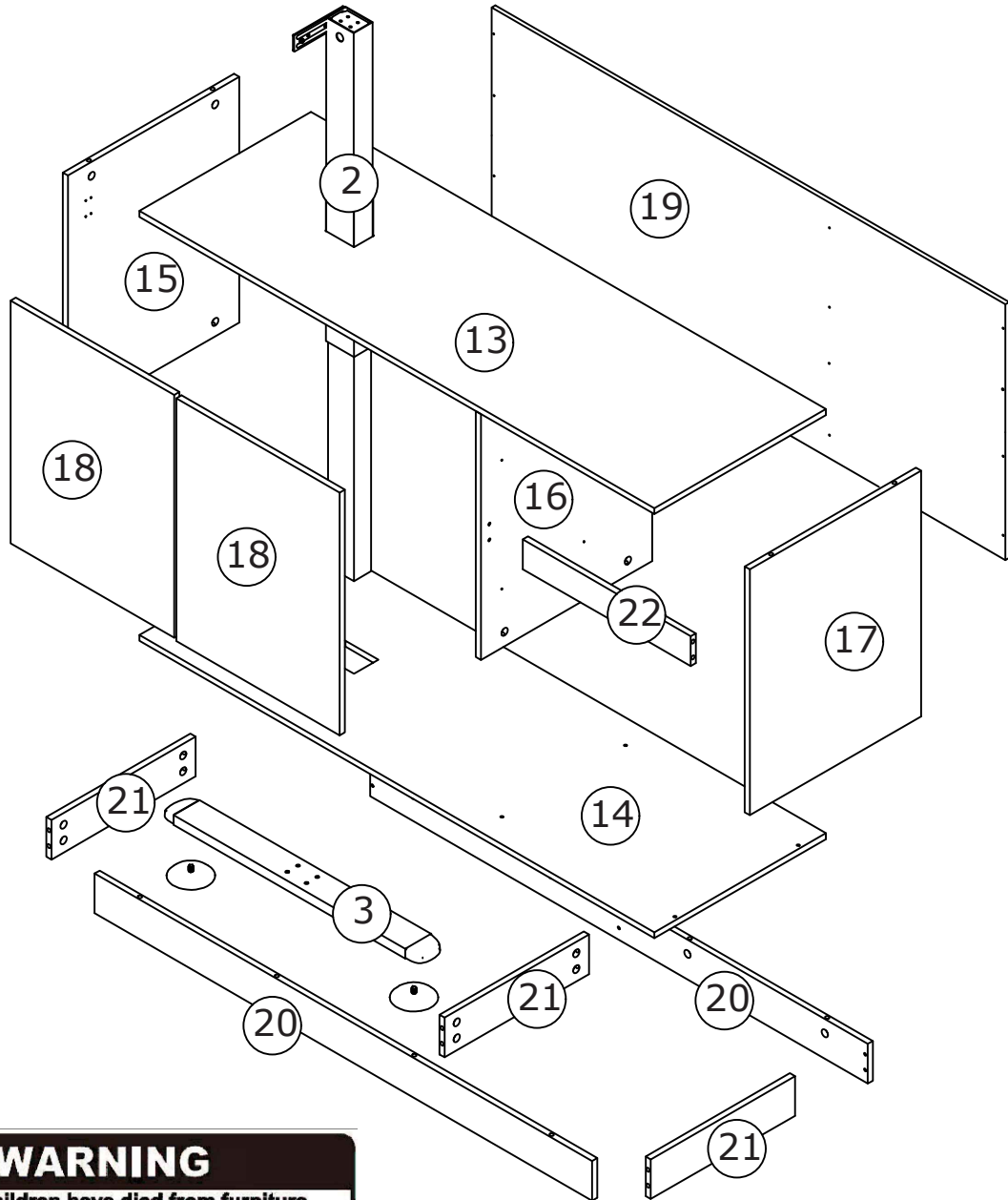
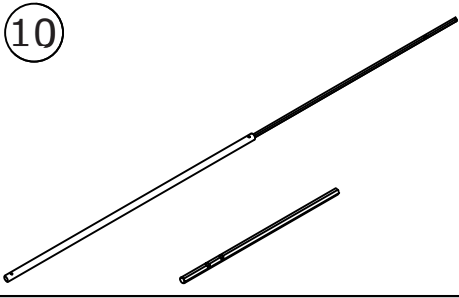
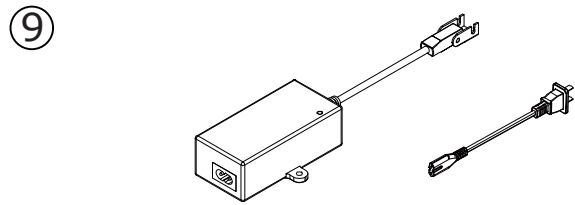
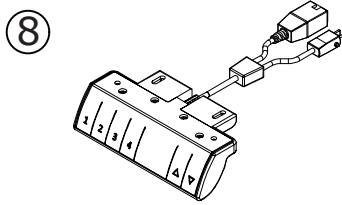
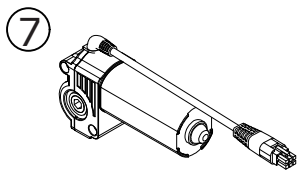
Please prepare the following tools



When installing, please carefully confirm whether each screw corresponds to the manual, accessories with similar shapes can be distinguished by size

<p>A x 44</p>  <p>CRA0635A</p>	<p>B x 44</p>  <p>CRB1595A</p>	<p>C x 44</p>  <p>CRD3512A</p>	<p>D x 12</p>  <p>CRD3514A</p>	<p>E x 20</p>  <p>CRG0540A</p>
<p>F x 2</p> 	<p>G x 4</p>  <p>DGA861C</p>	<p>H x 2</p>  <p>H - 1 H - 2 12"(3508)</p>	<p>I x 6</p>  <p>Ø 6 x 40mm</p>	<p>J x 28</p>  <p>Ø 6 x 12mm</p>
<p>K x 2</p>  <p>CRG0545A</p>	<p>L x 4</p> 	<p>M x 4</p> 	<p>N x 1</p>  <p>M5</p>	<p>O x 1</p>  <p>M4</p>
<p>P x 1</p> 	<p>Q x 1</p> 	<p>⑪ x 2</p>  <p>Ø 4 x 4mm</p>		





**⚠ WARNING**

Children have died from furniture tipover. To reduce the risk of furniture tipover:

- ALWAYS install Anti-tip device provided.
- NEVER put a TV on this product.
- NEVER allow children to stand, climb or hang on drawers, doors, or shelves.
- NEVER open more than one drawer at a time.
- Place heaviest items in the lowest drawers.

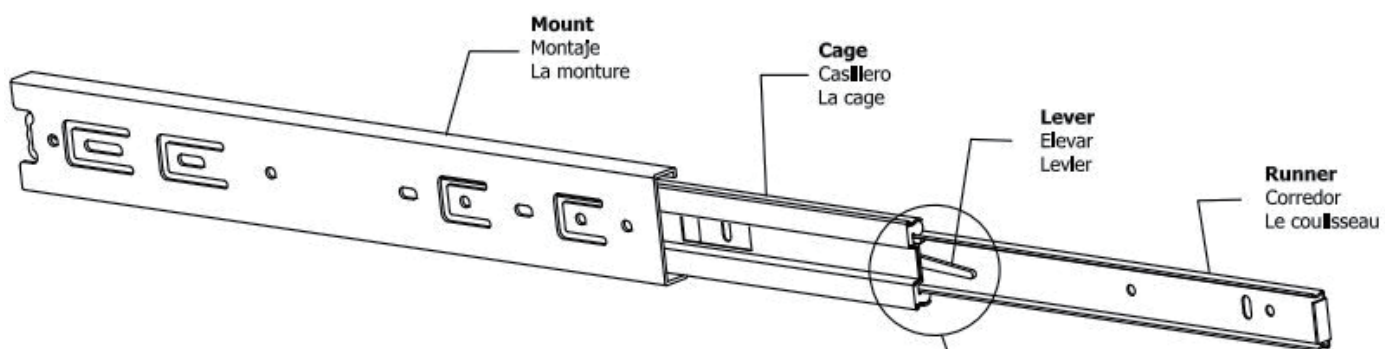
*This is a permanent label. Do not remove!*



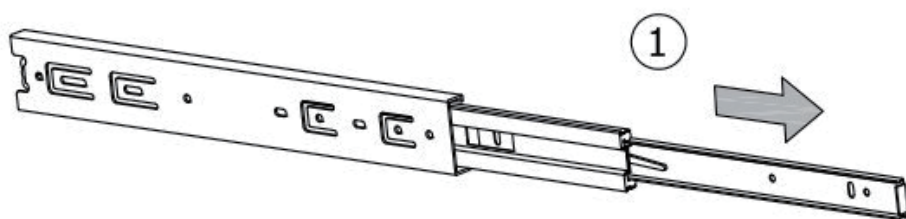
**Slides Must Be Separated Before Assembly.  
After Separated, Set Aside Until Needed for Assembly.**

Las diapositivas deben separarse antes del montaje.  
Después de la separación, déjelo a un lado hasta que sea necesario.

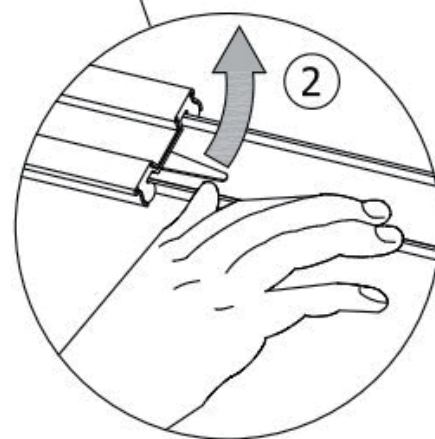
Les glissières doivent être séparées avant l'assemblage.  
Après la séparation, mettez de côté jusqu'au moment de l'assemblage.



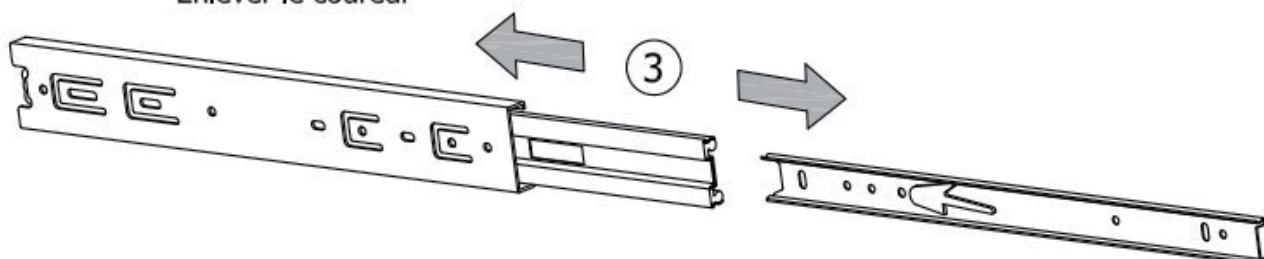
**STEP 1: Extend Slide**  
Extender la diapositiva  
Extendre la diapositive



**STEP 2: Push Lever UP**  
Empujar hacia arriba  
Lever le levier



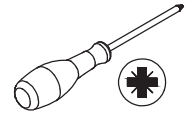
**STEP 3: Remove Runner**  
Quitar el corredor  
Enlever le coureur



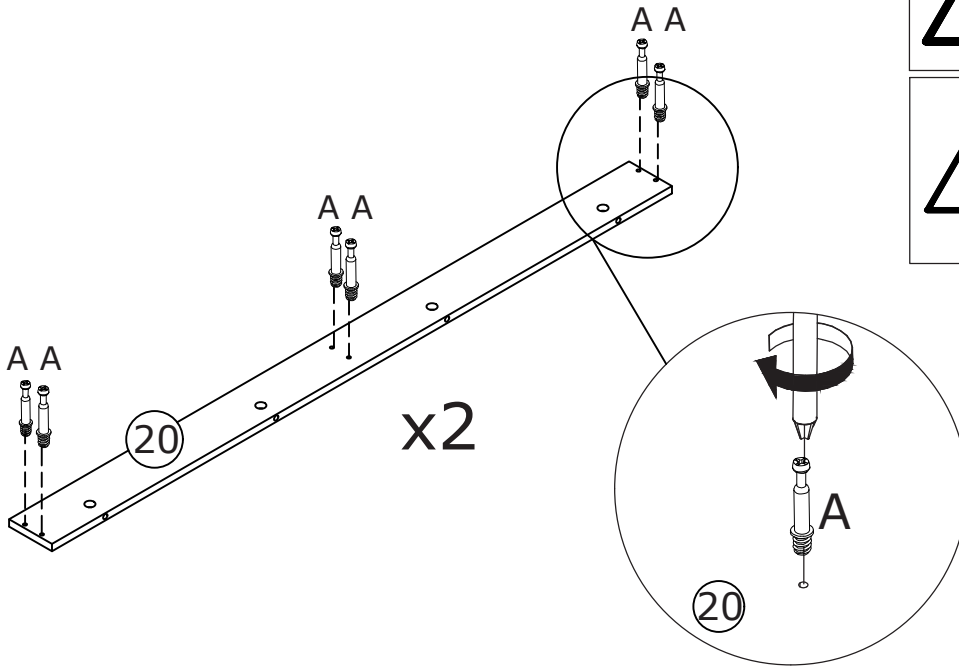
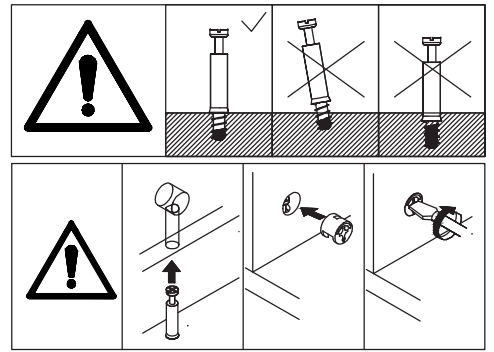
1

A x 12  
CRA0635A

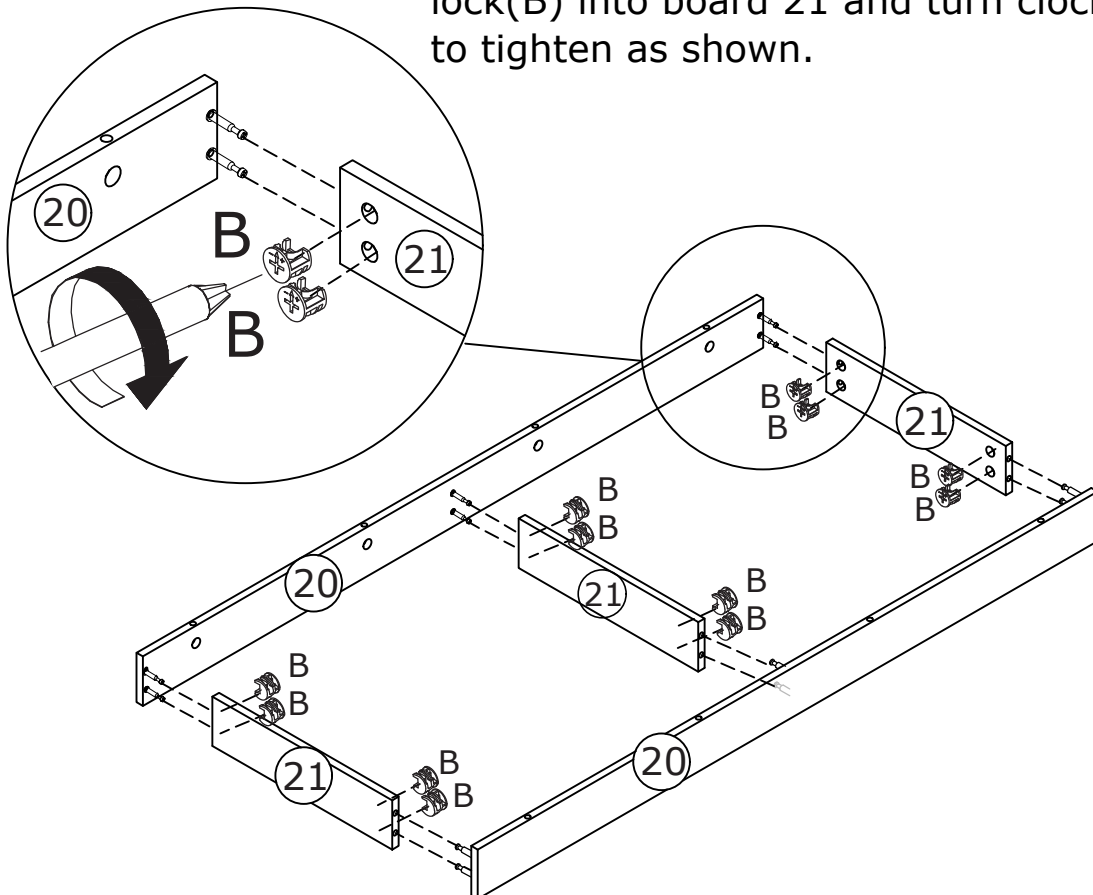
B x 12  
CRB1595A



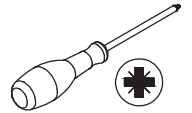
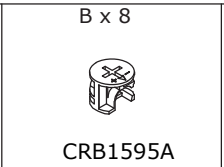
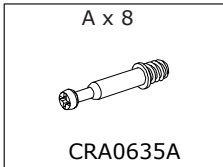
Screw eccentric rod(A) into board 20 at first.



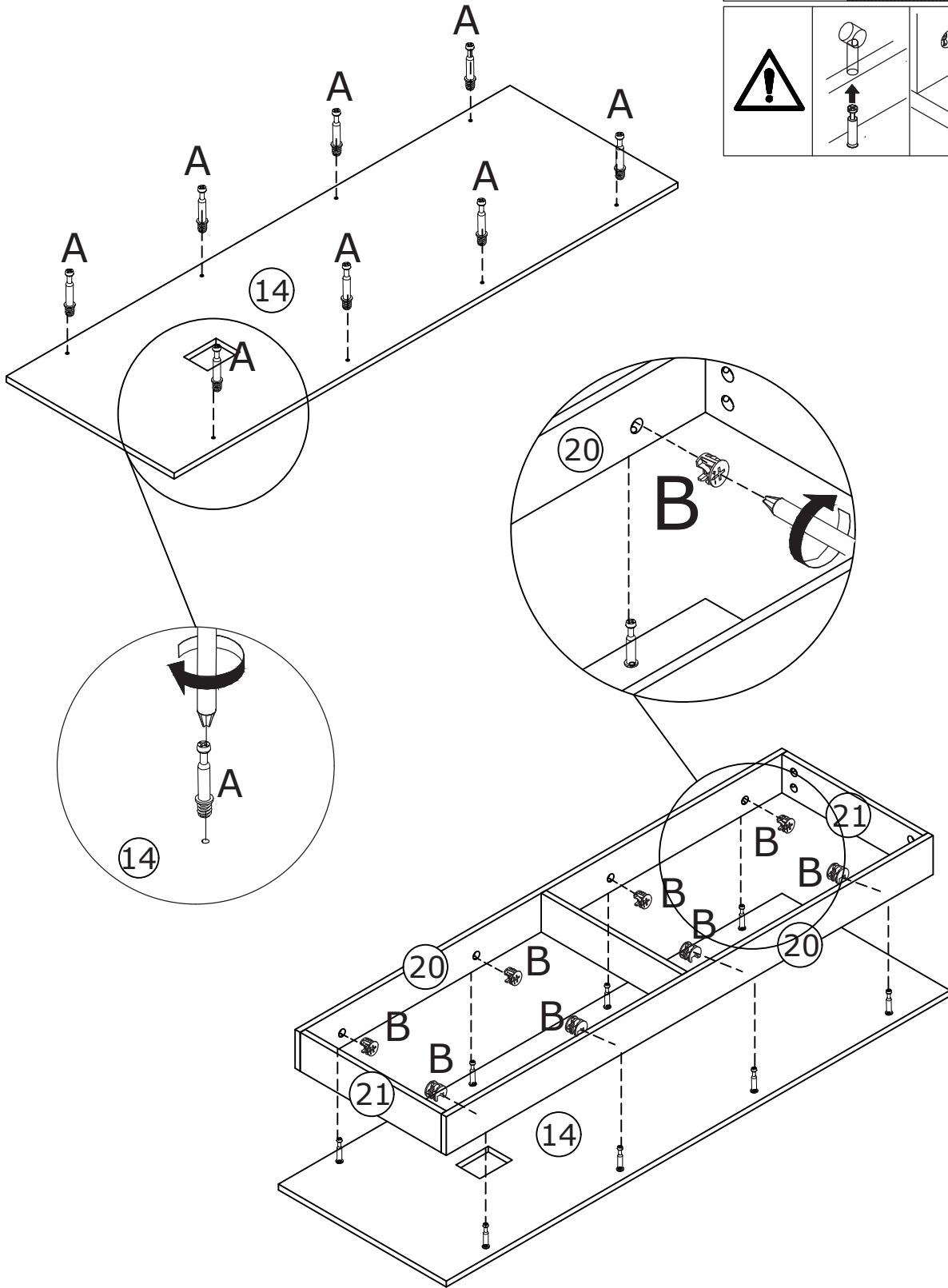
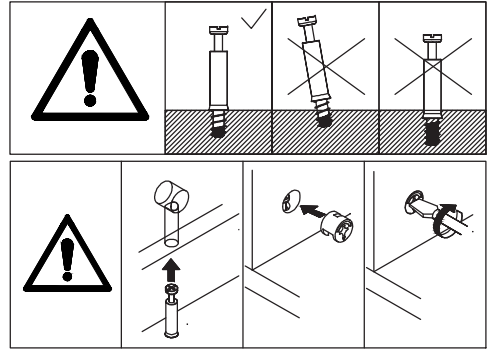
Connect board 20 and board 21, add cam lock(B) into board 21 and turn clockwise to tighten as shown.



2

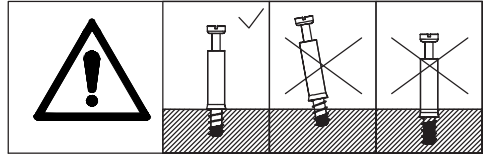
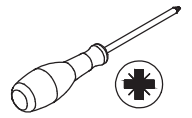
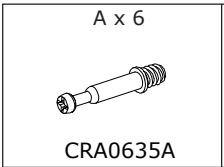


Screw eccentric rod(A) into board 14 at first.

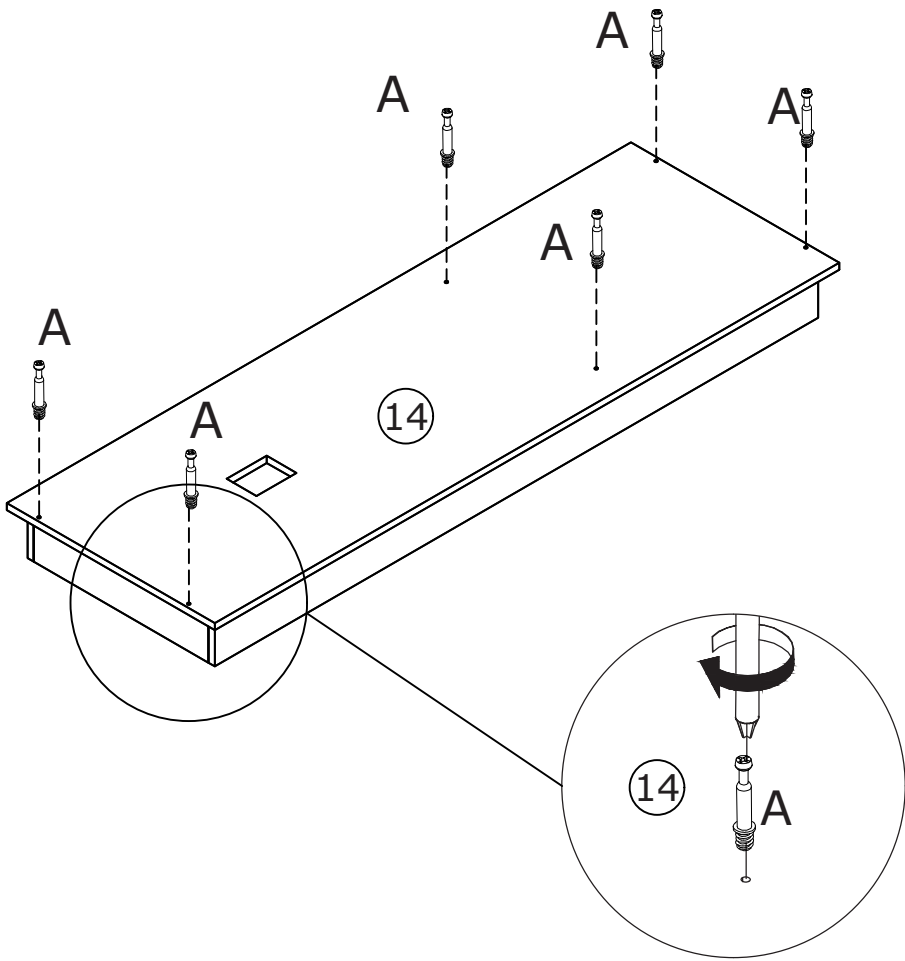


Attach board 14 to board 20 and 21, add cam lock(B) into board 20 and turn clockwise to tighten as shown.

3

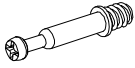


Screw eccentric rod(A) into board 14 at first.



4

A x 4



CRA0635A

C x 8

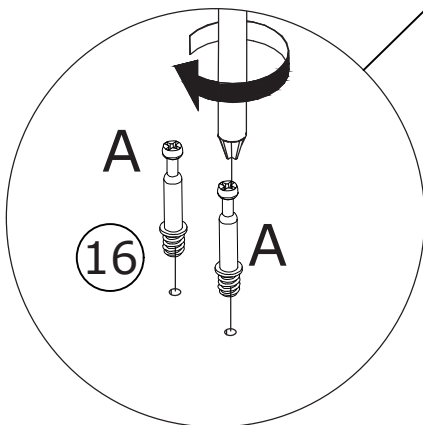
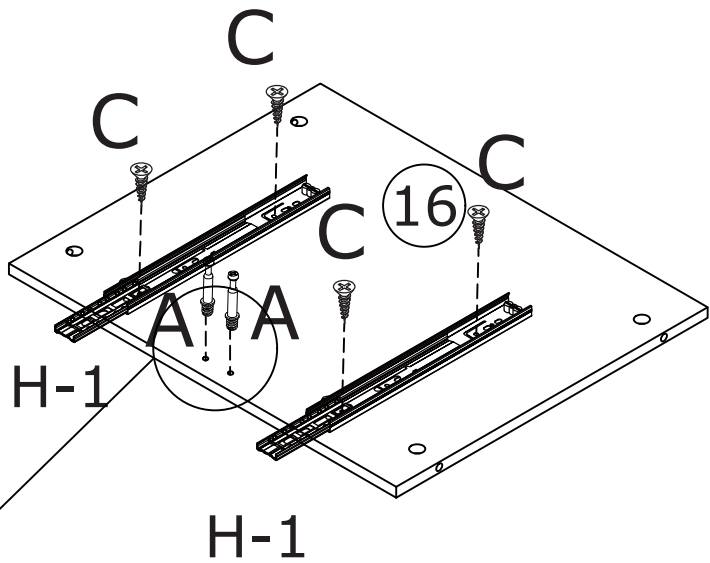
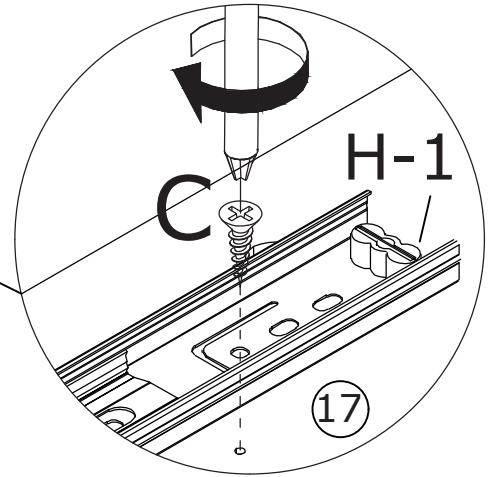
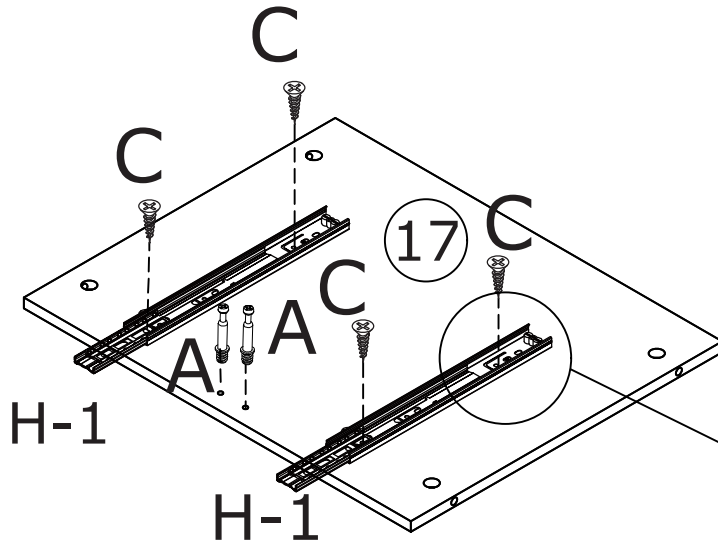
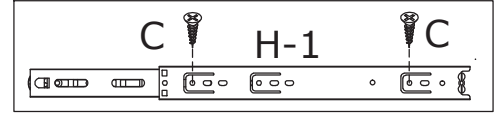
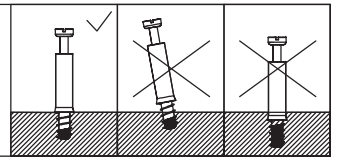
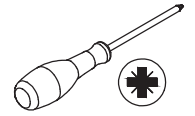


CRD3512A

H x 2



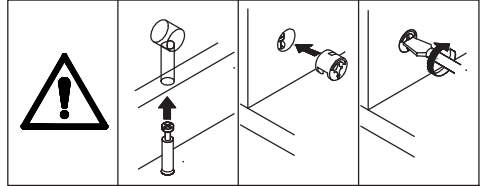
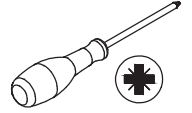
H - 1  
12''(3508)



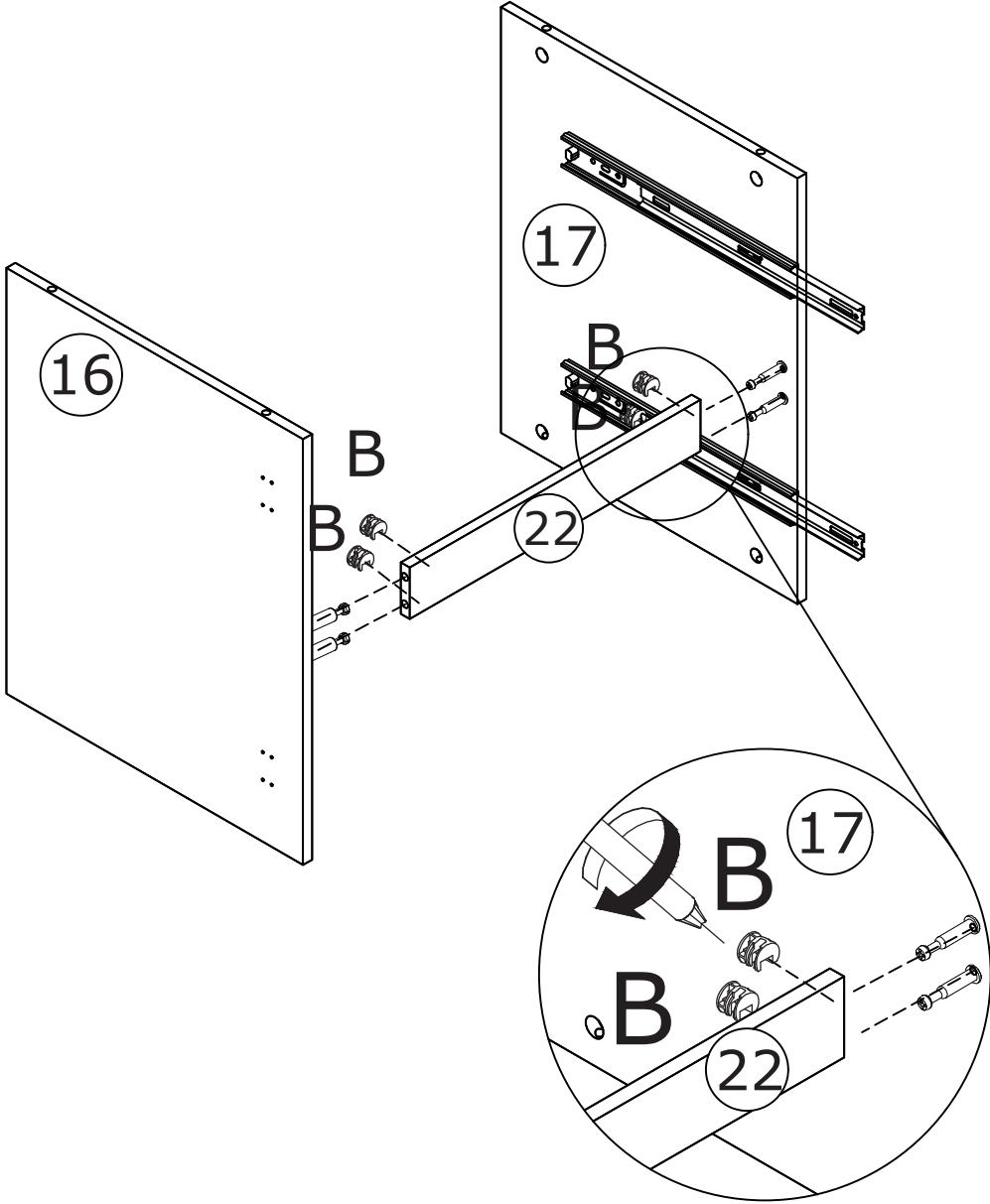
Fix rail (H-1) to board 16 and 17 with screw (C) as shown.

5

B x 4  
CRB1595A

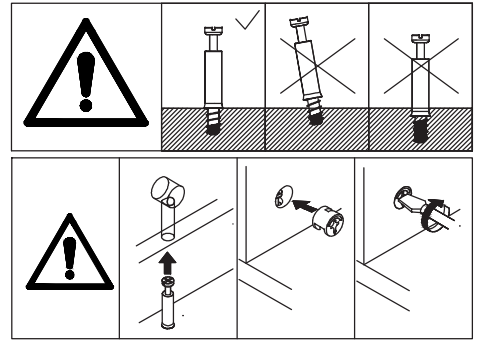
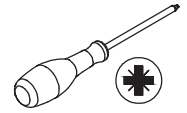


Connect board 22 to board 16 and 17, add cam lock(B) into board 22 and turn clockwise to tighten as shown.

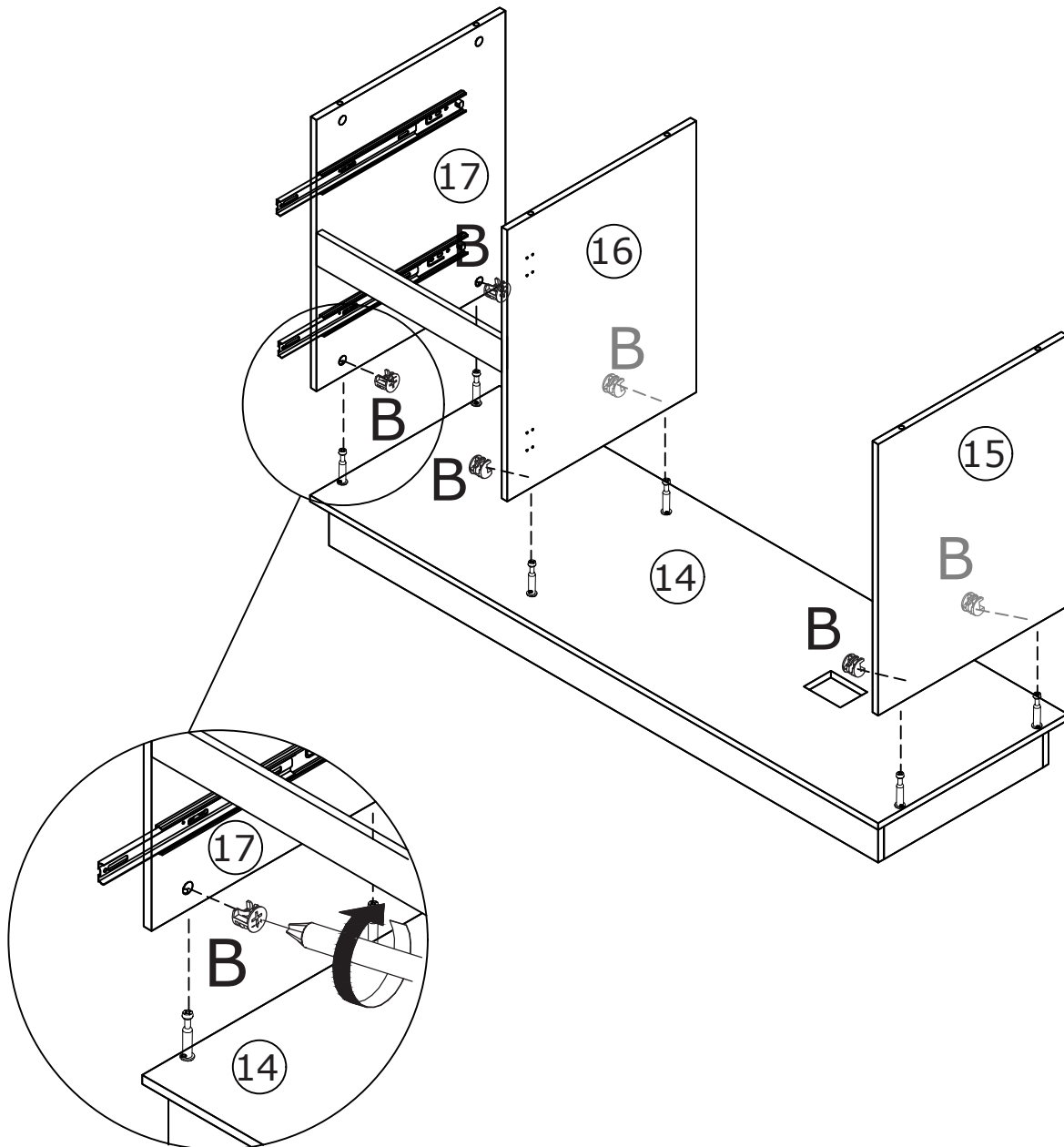


6

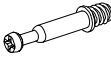



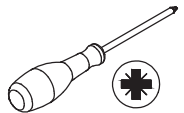
B x 6  
CRB1595A

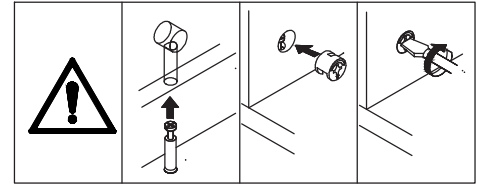
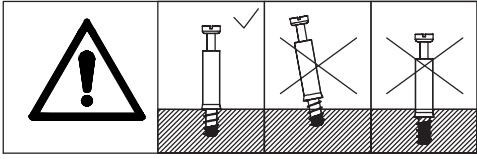


Attach board 15, 16 and 17 to board 14, add cam lock(B) into and turn clockwise to tighten as shown.

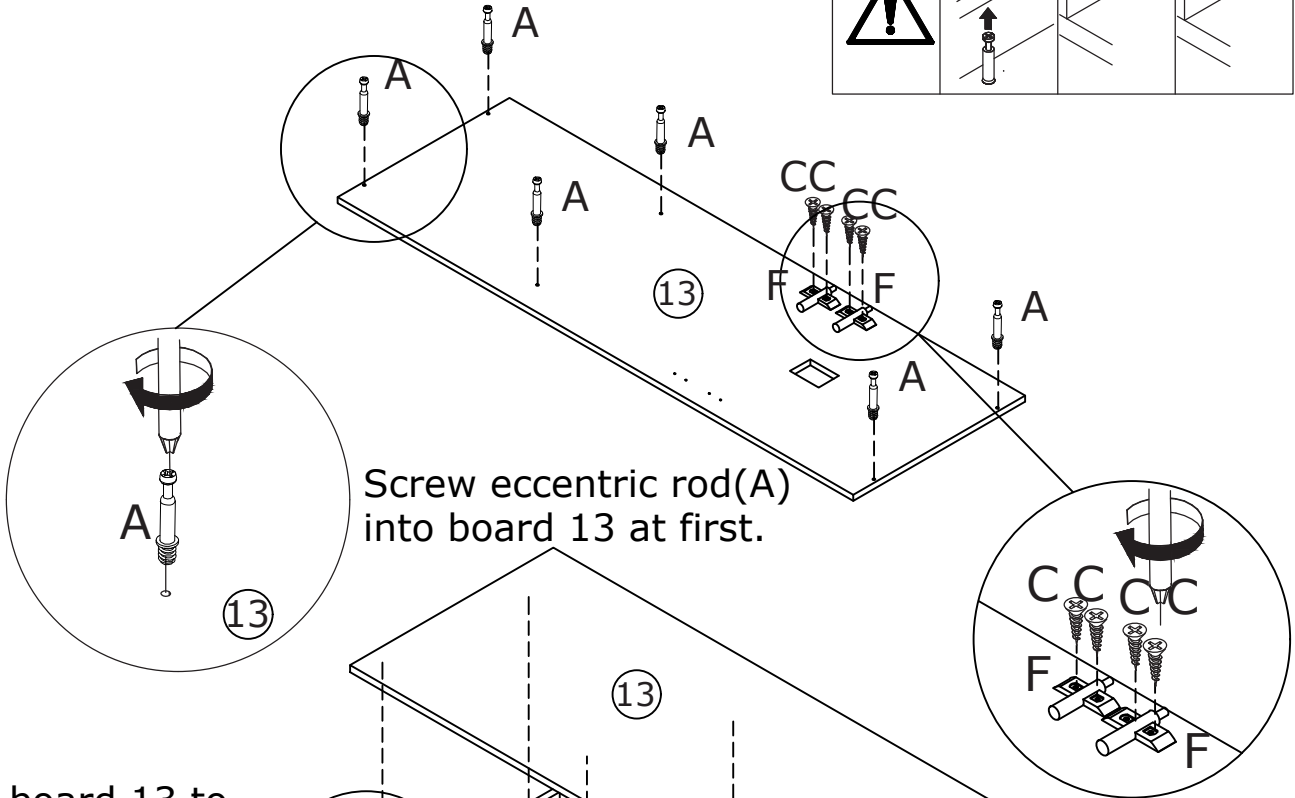


7

A x 6  CRA0635A	B x 6  CRB1595A	C x 4  CRD3512A	F x 2  F x 2	
--------------------------------------------------------------------------------------------------------	--------------------------------------------------------------------------------------------------------	--------------------------------------------------------------------------------------------------------	------------------------------------------------------------------------------------------------------	------------------------------------------------------------------------------------

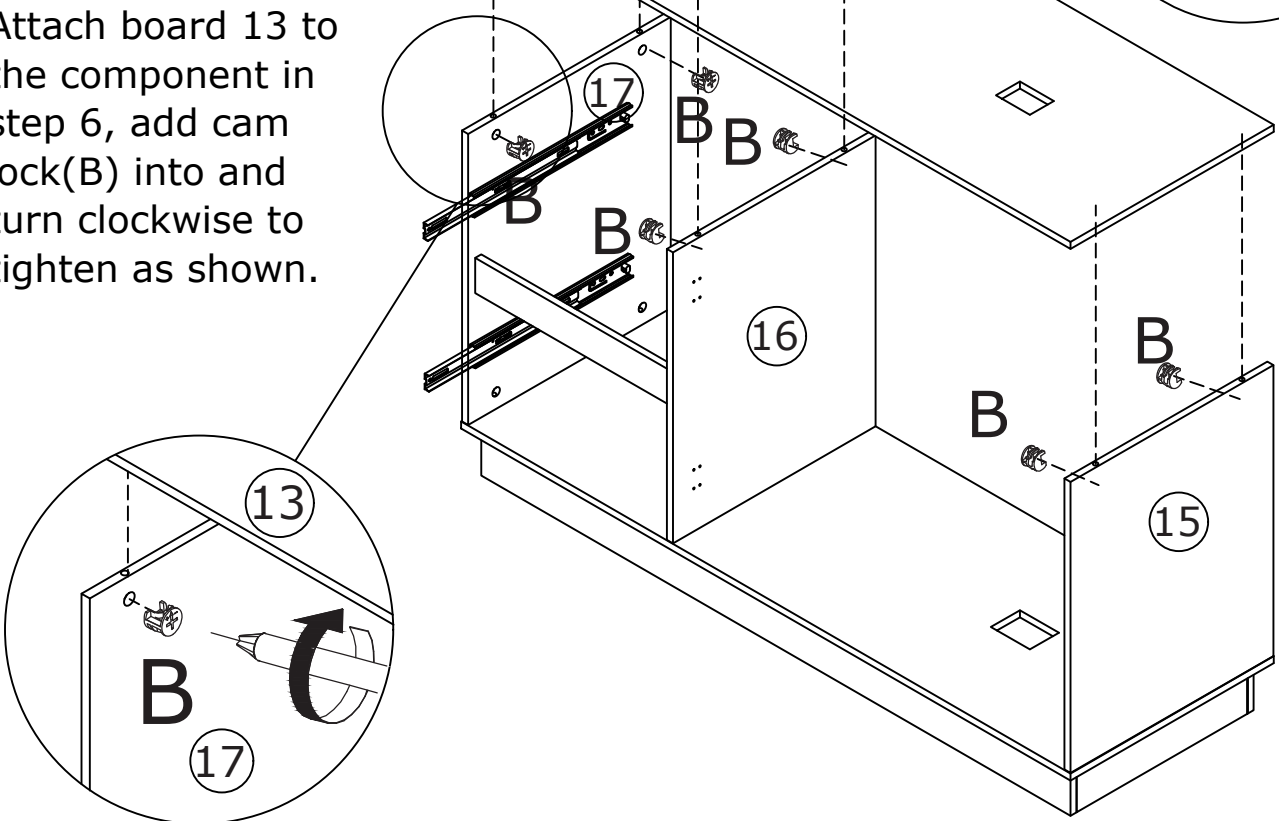


Fix part (F) to board 13 with screw (C) as shown.



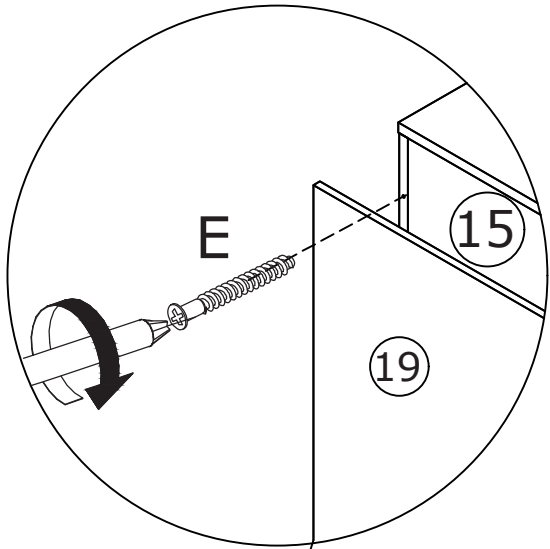
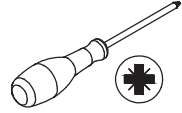
Screw eccentric rod(A) into board 13 at first.

Attach board 13 to the component in step 6, add cam lock(B) into and turn clockwise to tighten as shown.

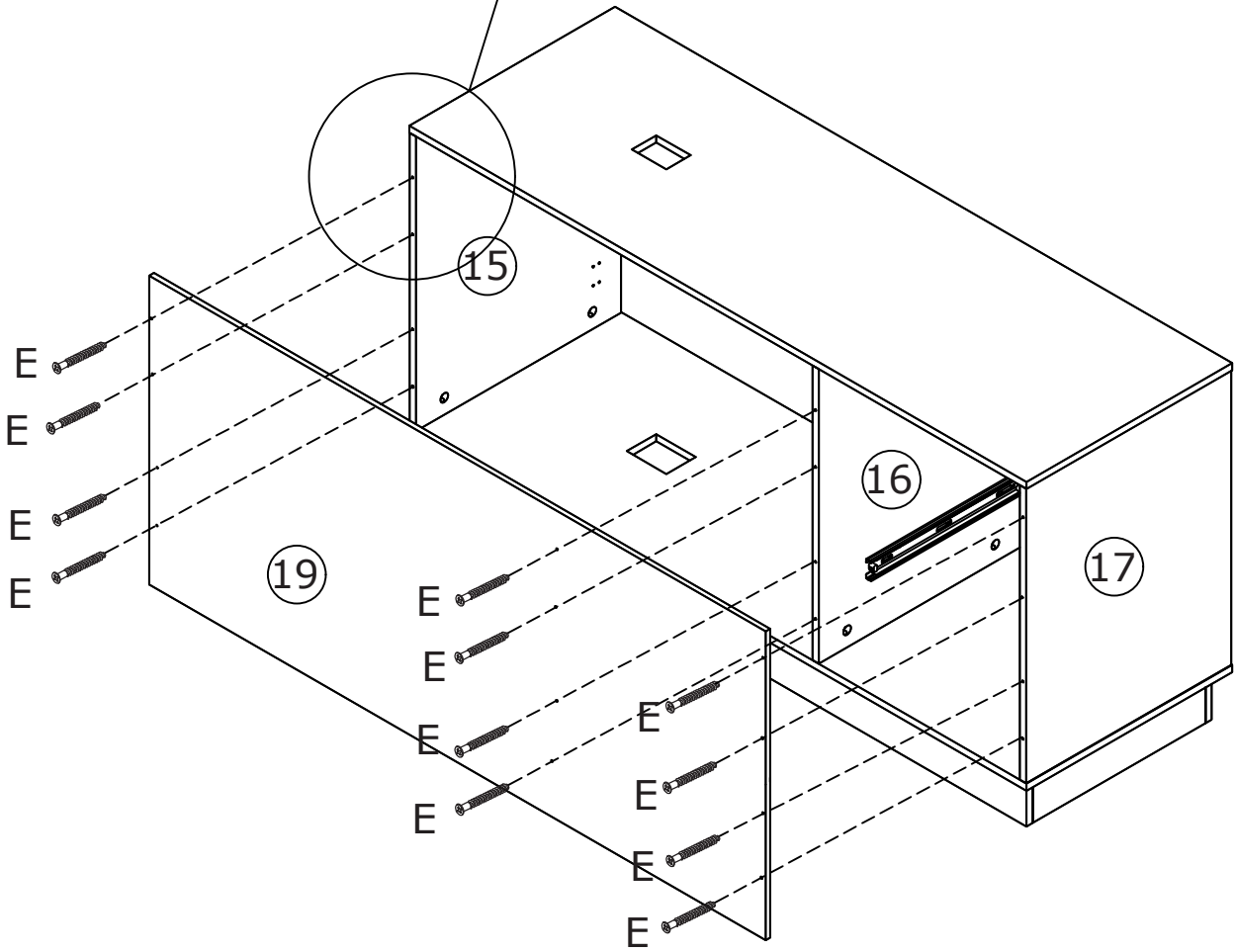


8

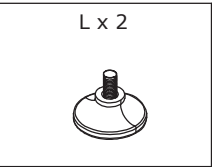
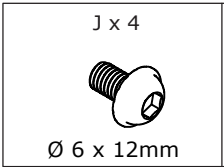
E x 12  
CRC0540A



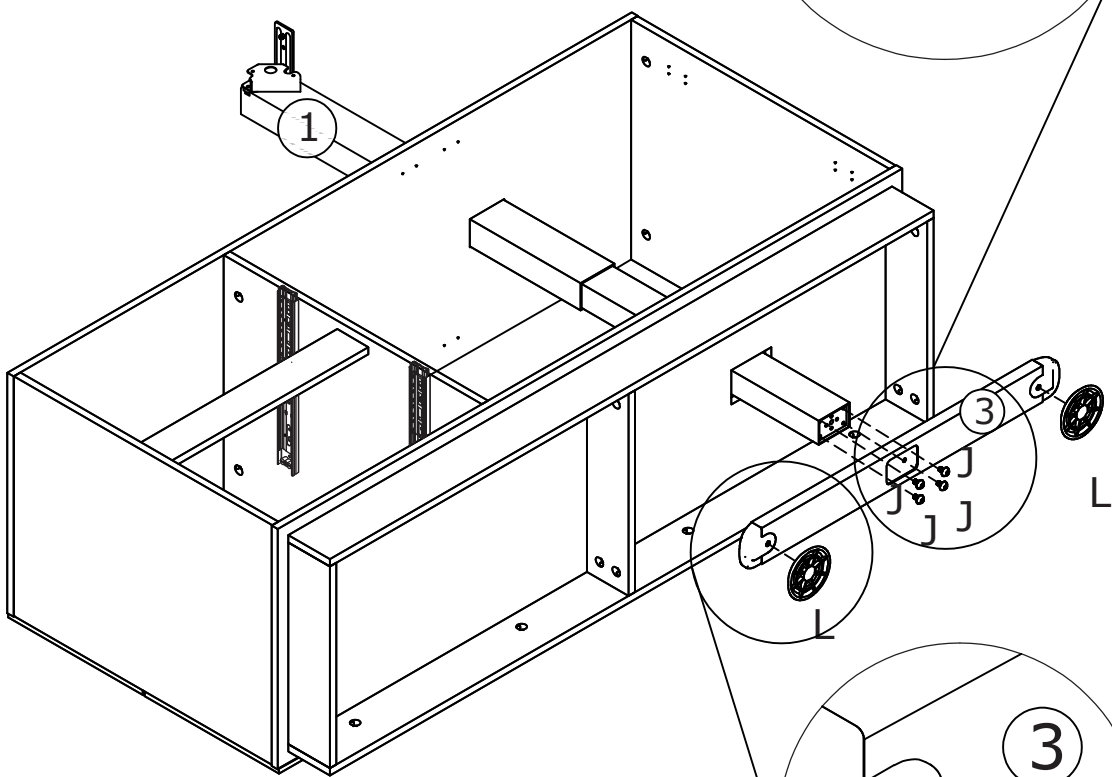
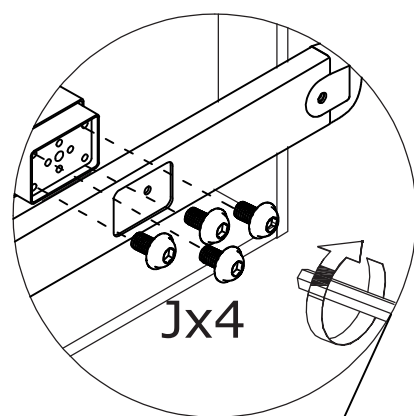
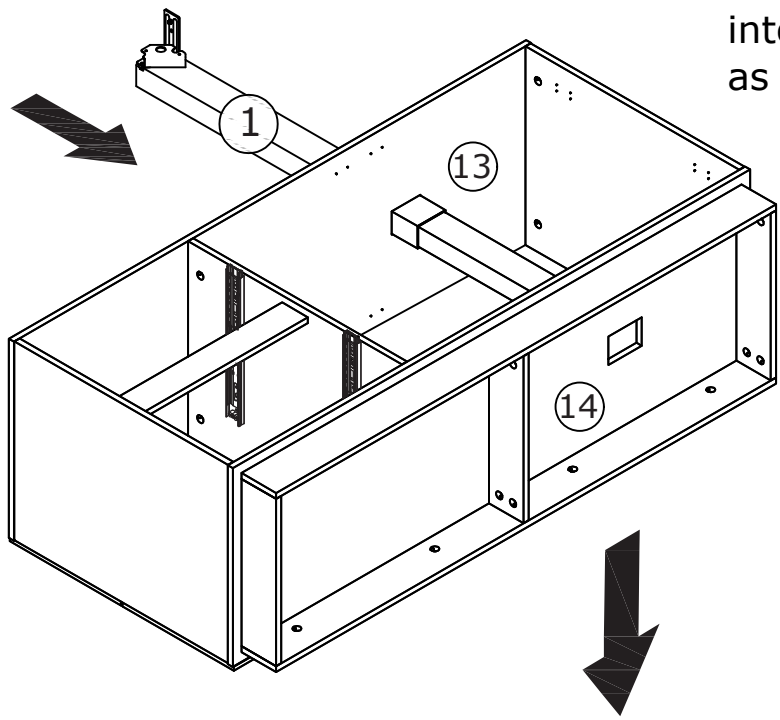
Fix board 19 to board 15, 16 and 17 with screw (E) as shown.



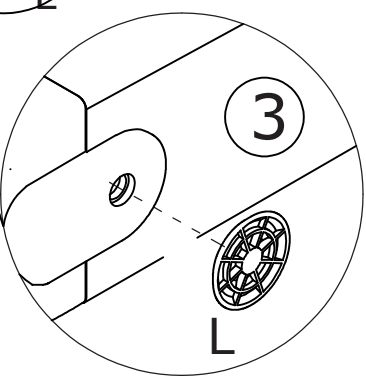
9



Insert steel frame 1 into board 13 and 14 as shown.



Fix steel frame 3 to steel frame 1 with screw (J) , screw part (L) into steel frame 3 as shown.



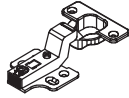
10

C x 24

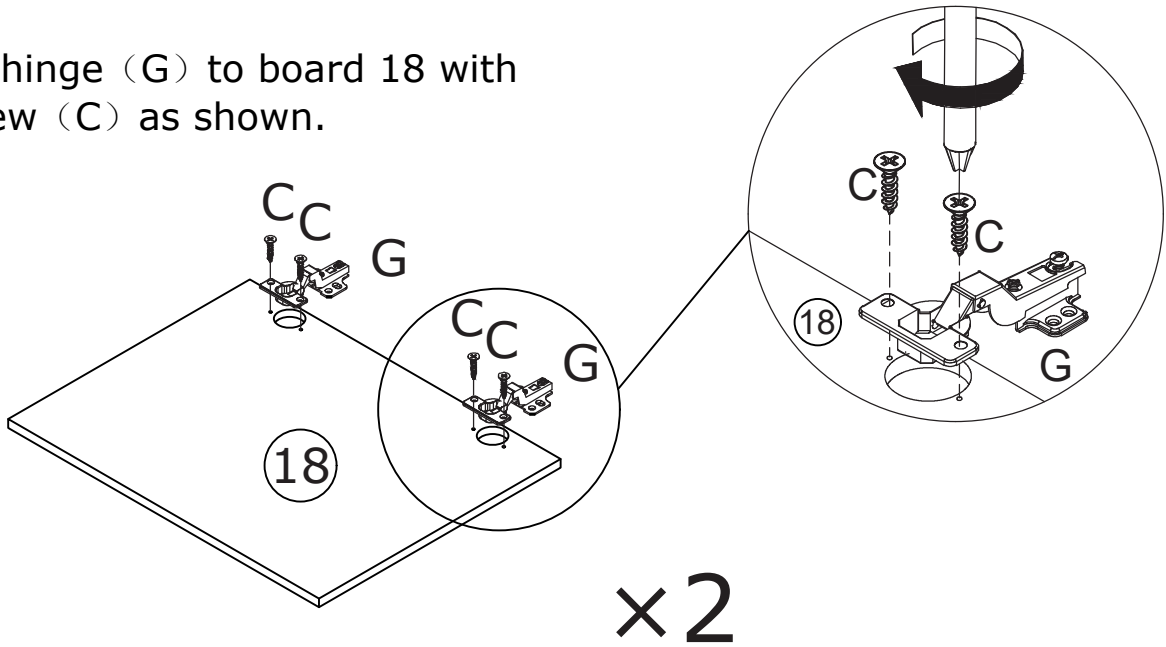


CRD3512A

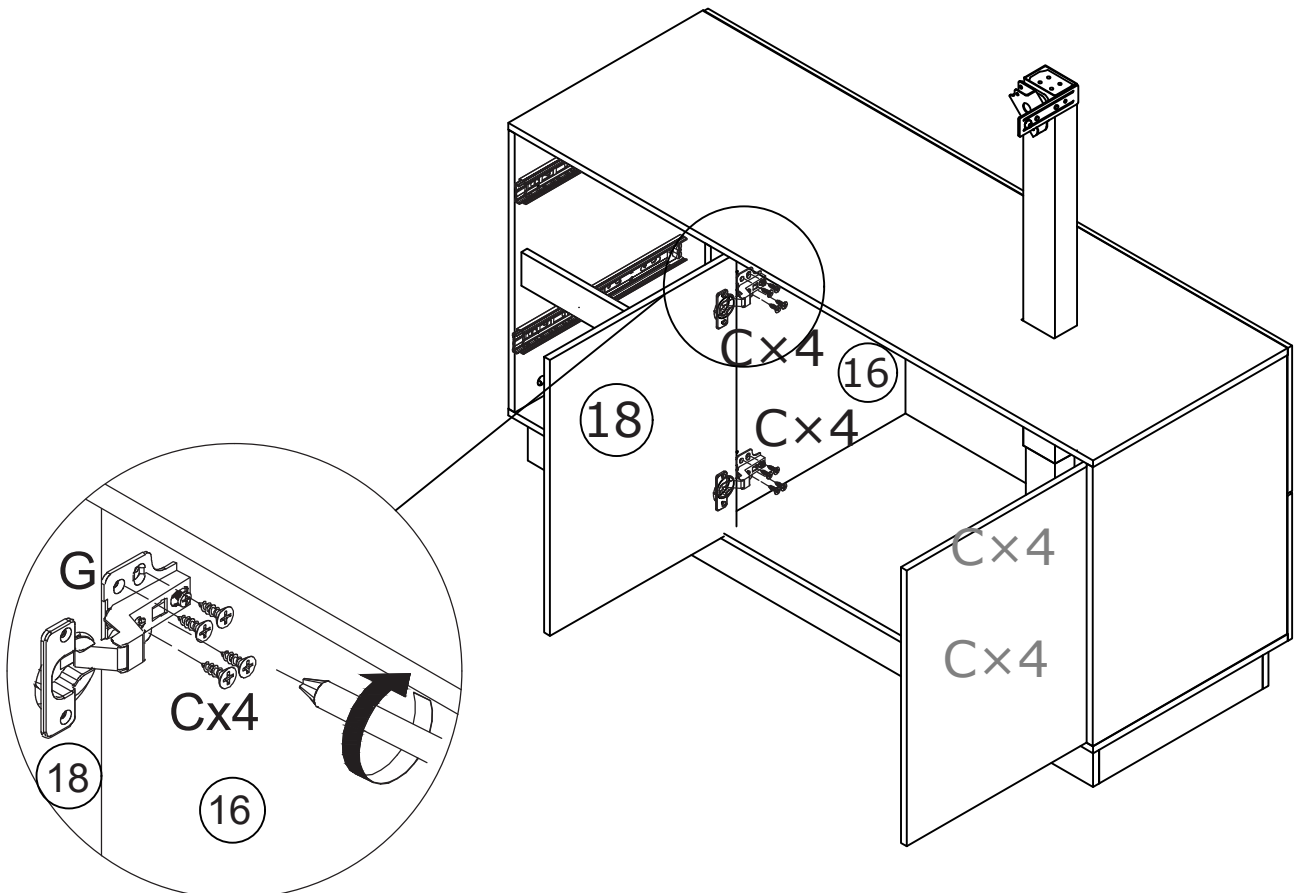
G x 4



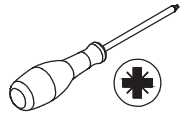
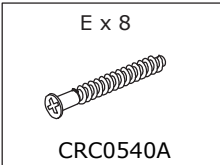
Fix hinge (G) to board 18 with screw (C) as shown.



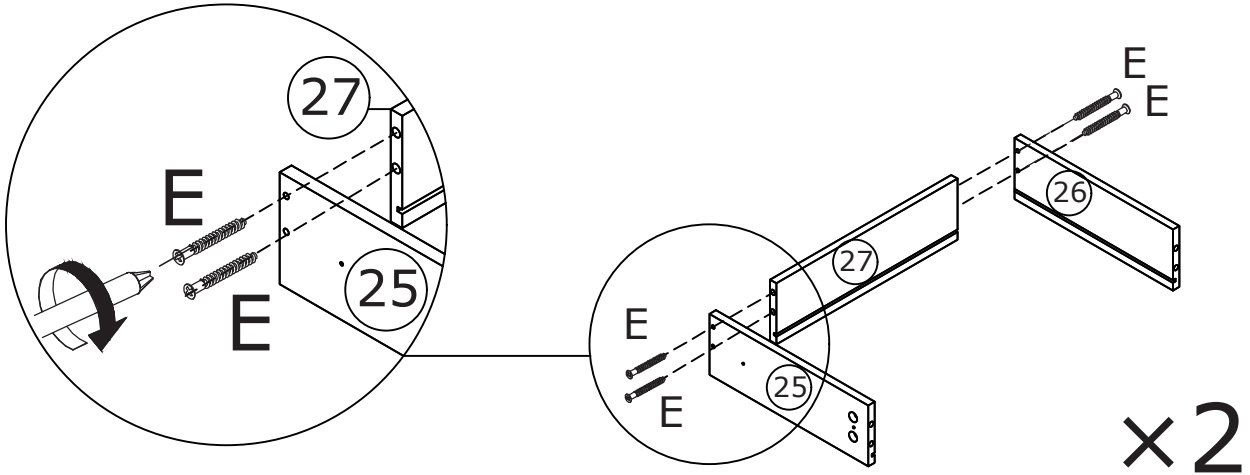
Assemble door to main cabinet with screw (C) as shown.



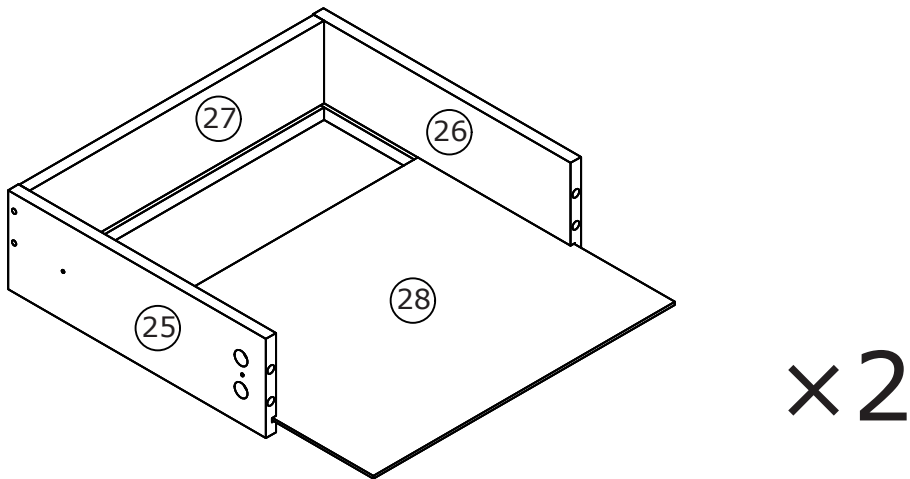
11



Connect board 25 and 26 to board 27 with screw (E) as shown.

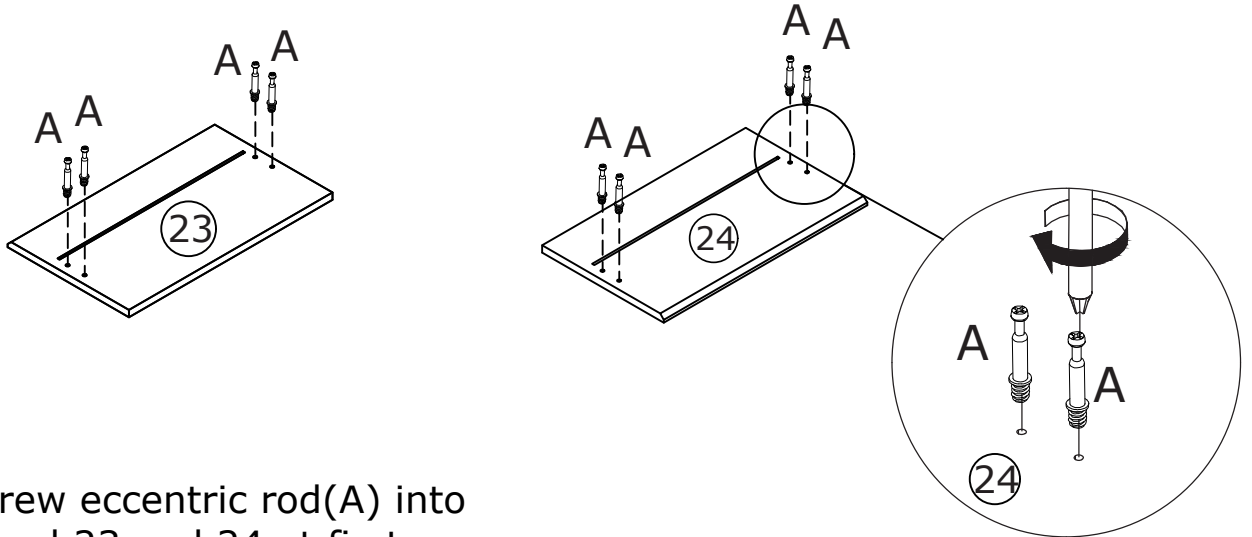
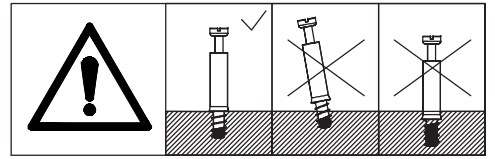
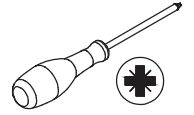
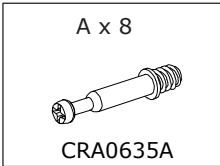


12



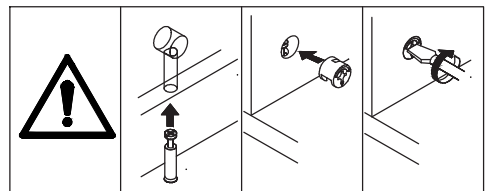
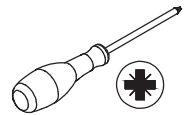
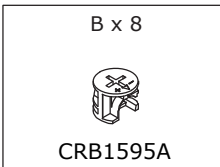
Slide board 28 into grooves as shown.

13

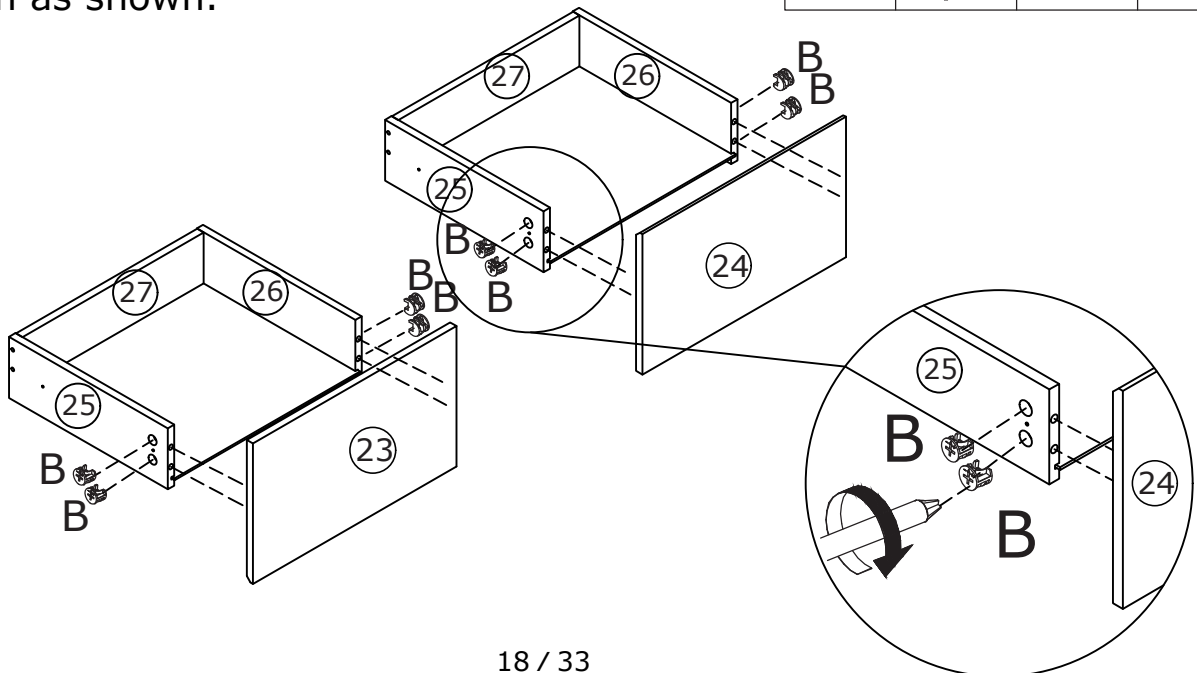


Screw eccentric rod(A) into board 23 and 24 at first.

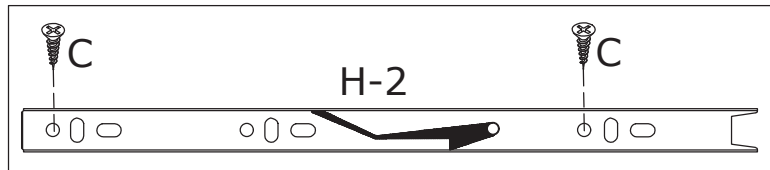
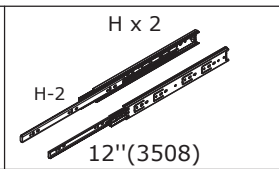
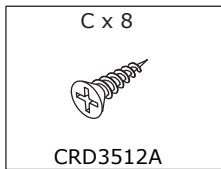
14



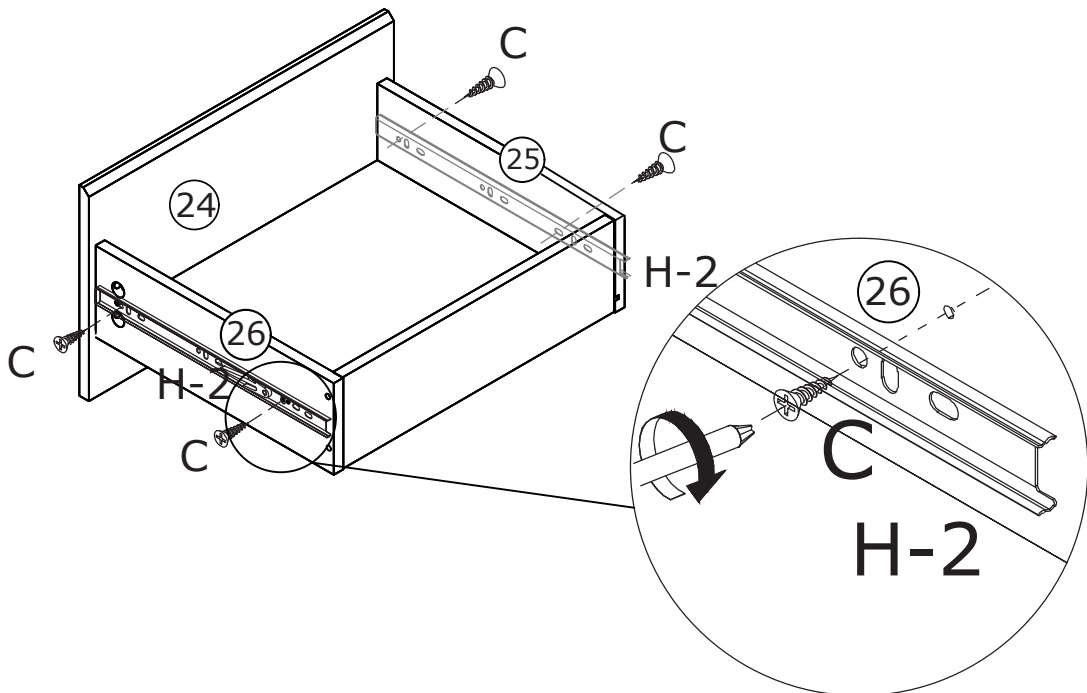
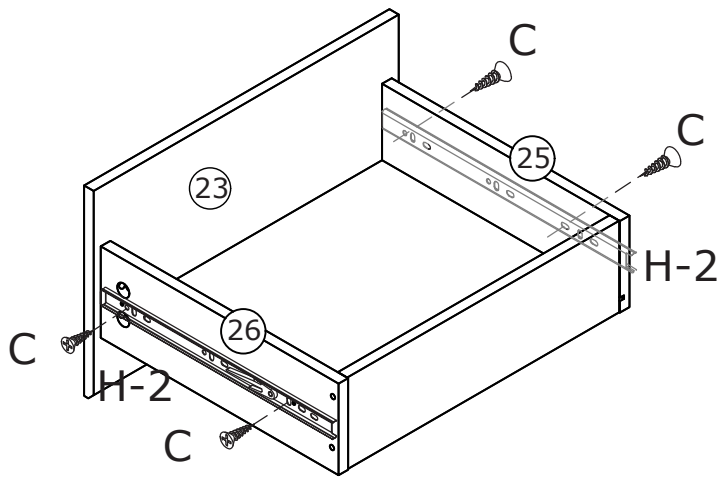
Assemble board 23 and 24 to the drawer, add cam lock(B) into and turn clockwise to tighten as shown.



15



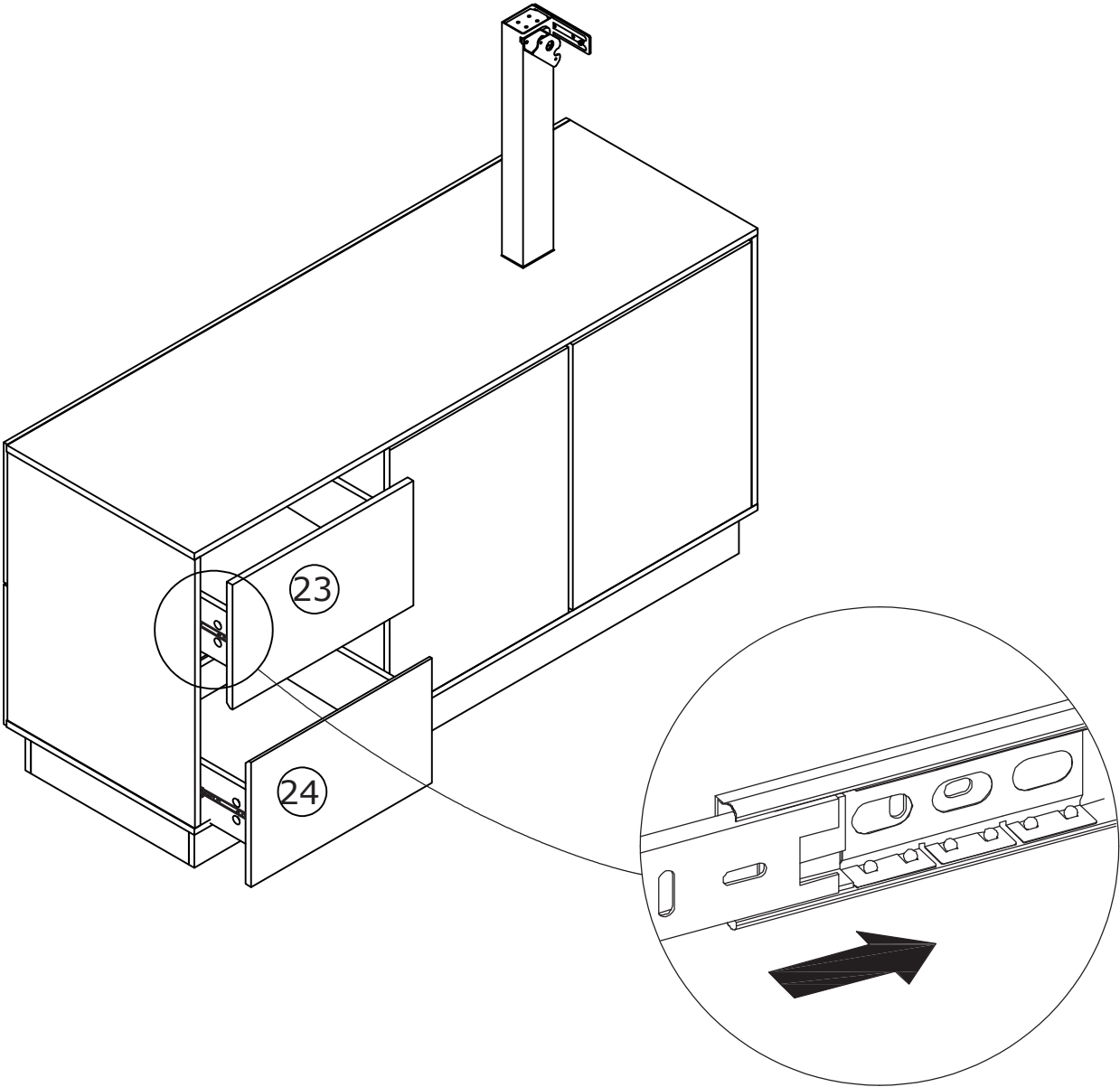
Fix rail (H-2) to board 25 and 26 with screw (C) as shown.



16



Align rails, slide all drawers in.



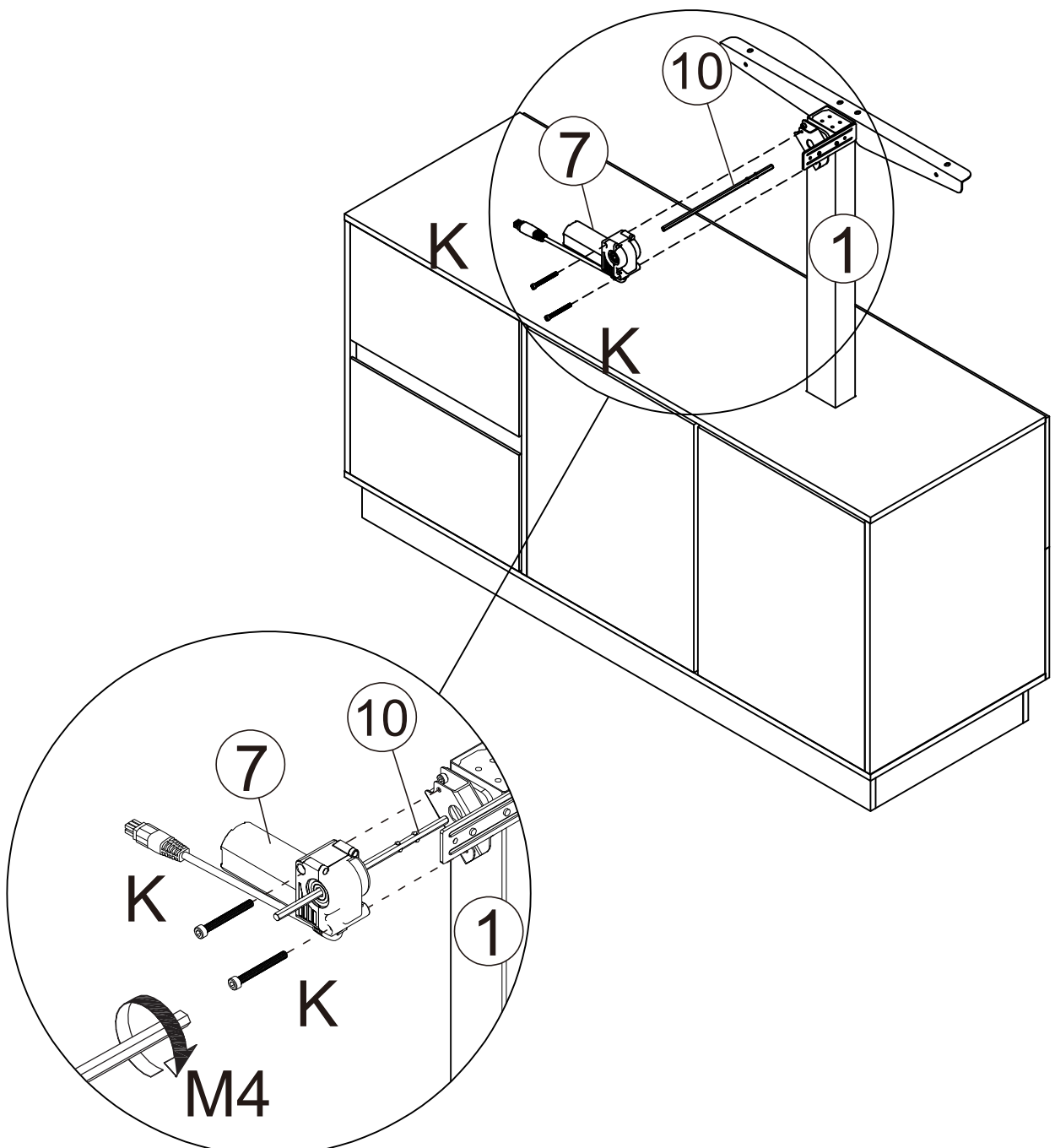
17

K x 2



Ø 5 x 45mm

Add driving rod 10 into part 1 at first, put electric machine 7 through driving rod then fix on part 1 with screw (K) .



18

J x 4

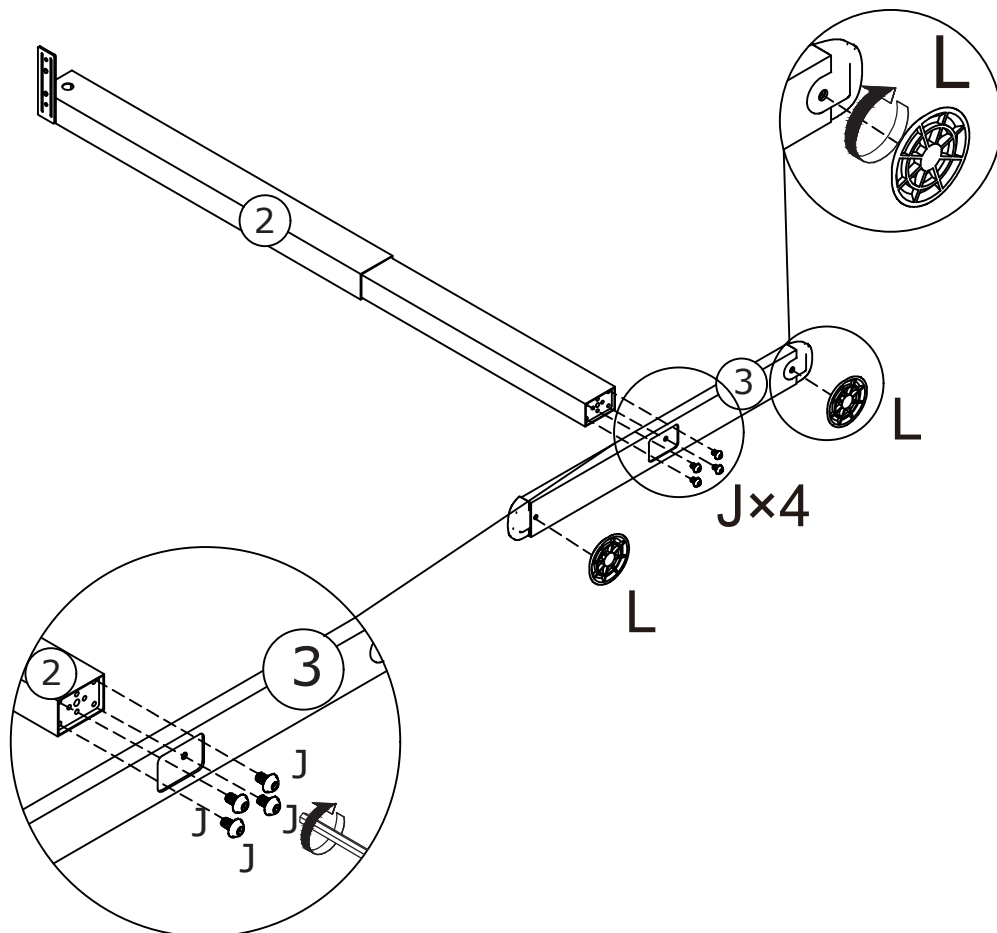


Ø 6 x 12mm

L x 2



Fix steel frame 3 to steel frame 2 with screw(L) ,screw part(L) into steel frame 3 as shown.



19

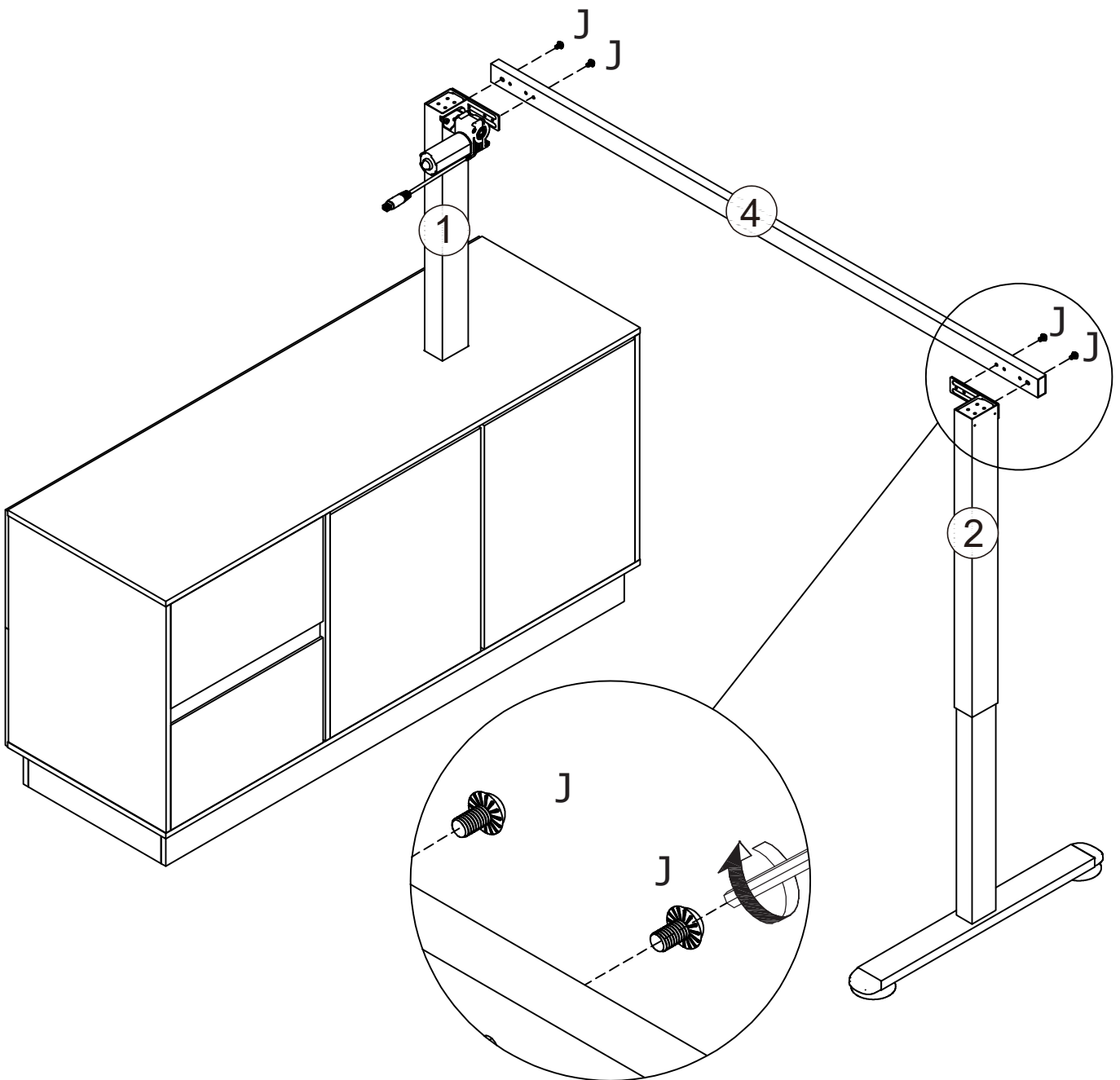
J x 4



Ø 6 x 12mm



Connect steel frame 4 to steel frame 1 and 2 with screw(J) as shown.



20

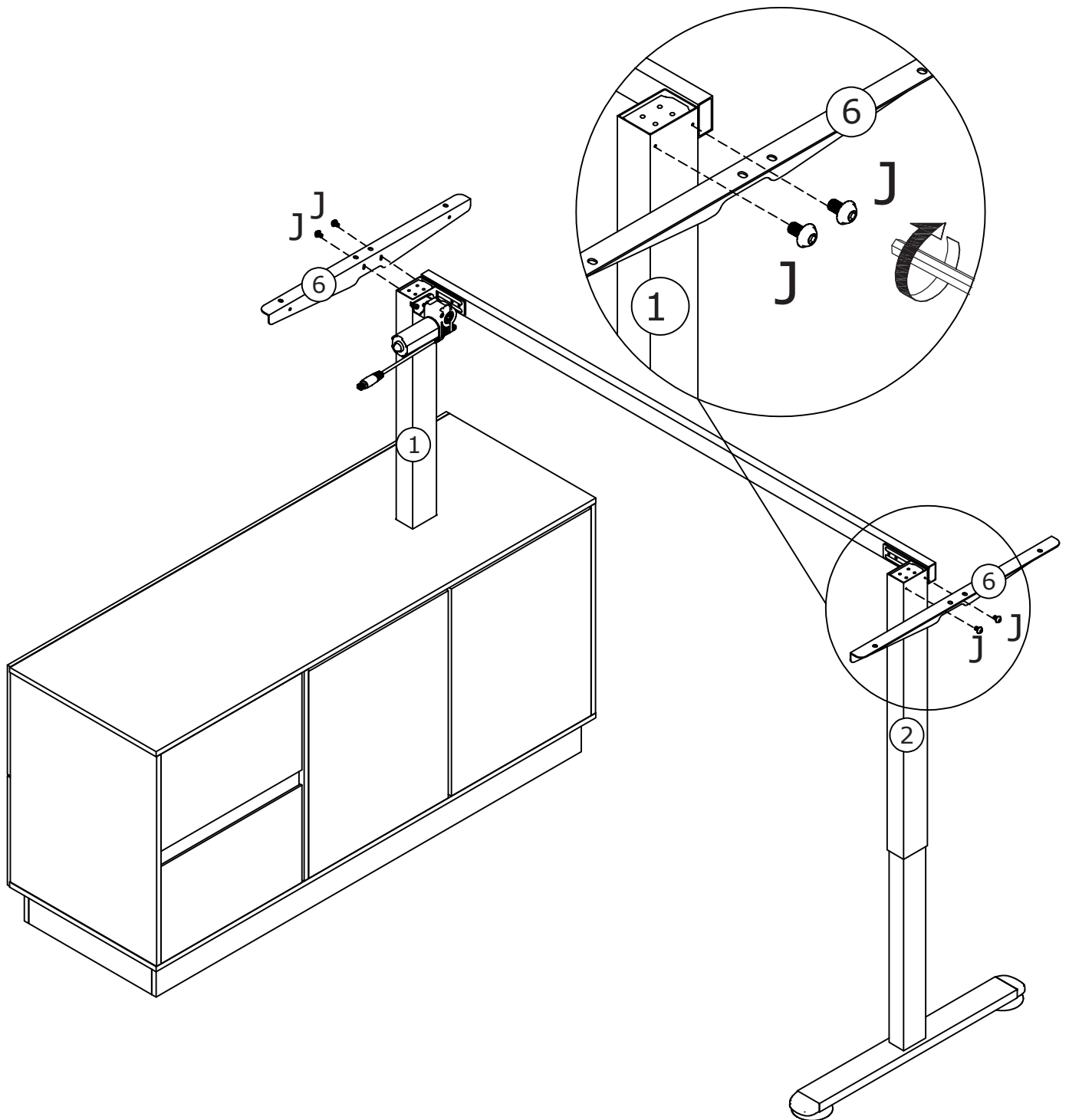
J x 4



Ø 6 x 12mm

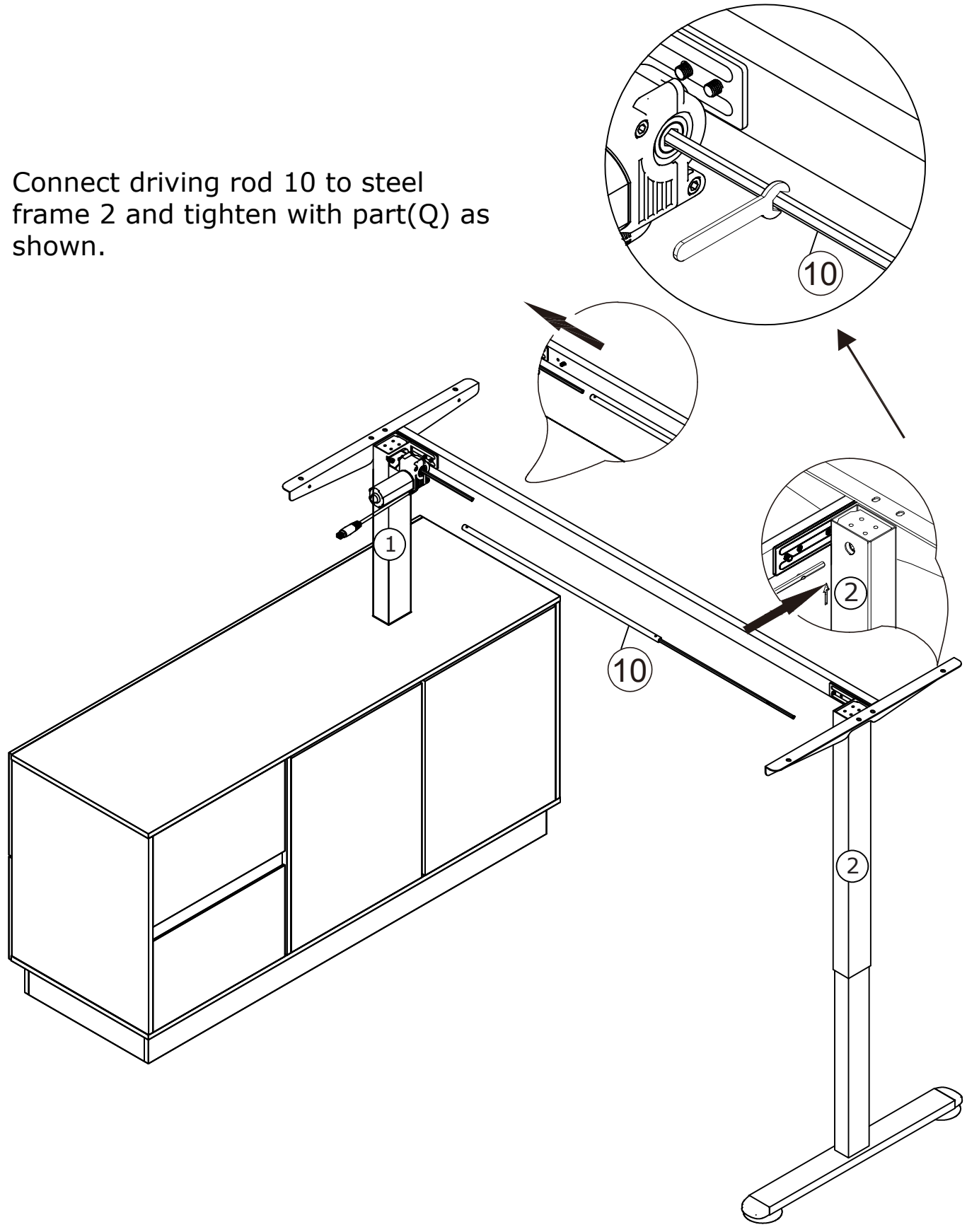


Connect steel frame 6 to steel frame 1 and 2 with screw(J) as shown.





Connect driving rod 10 to steel frame 2 and tighten with part(Q) as shown.

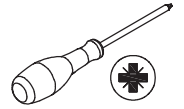


22

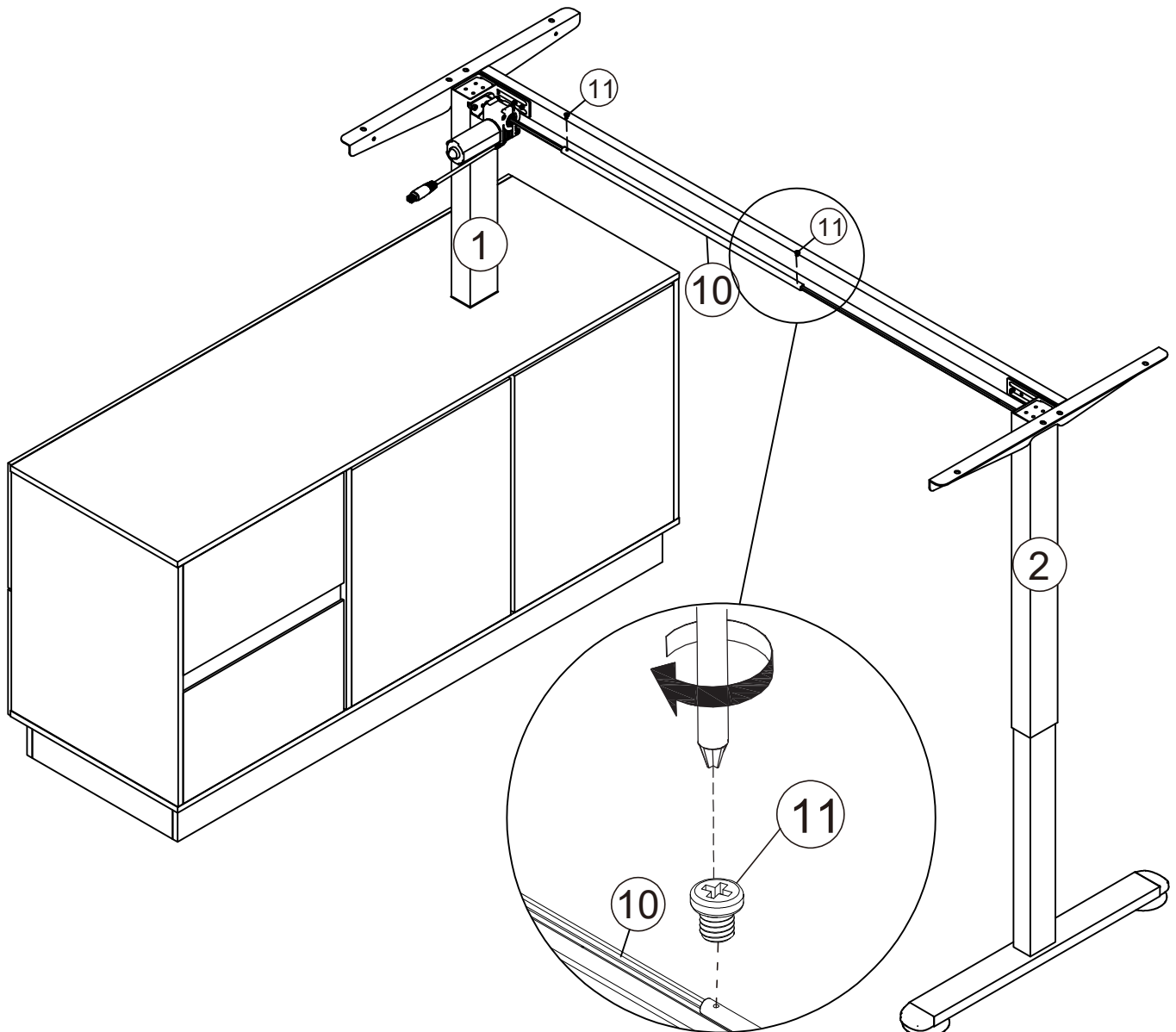
11 x 2



Ø 4 x 4mm



Fix driving rod 10 with screw (11) as shown.



23

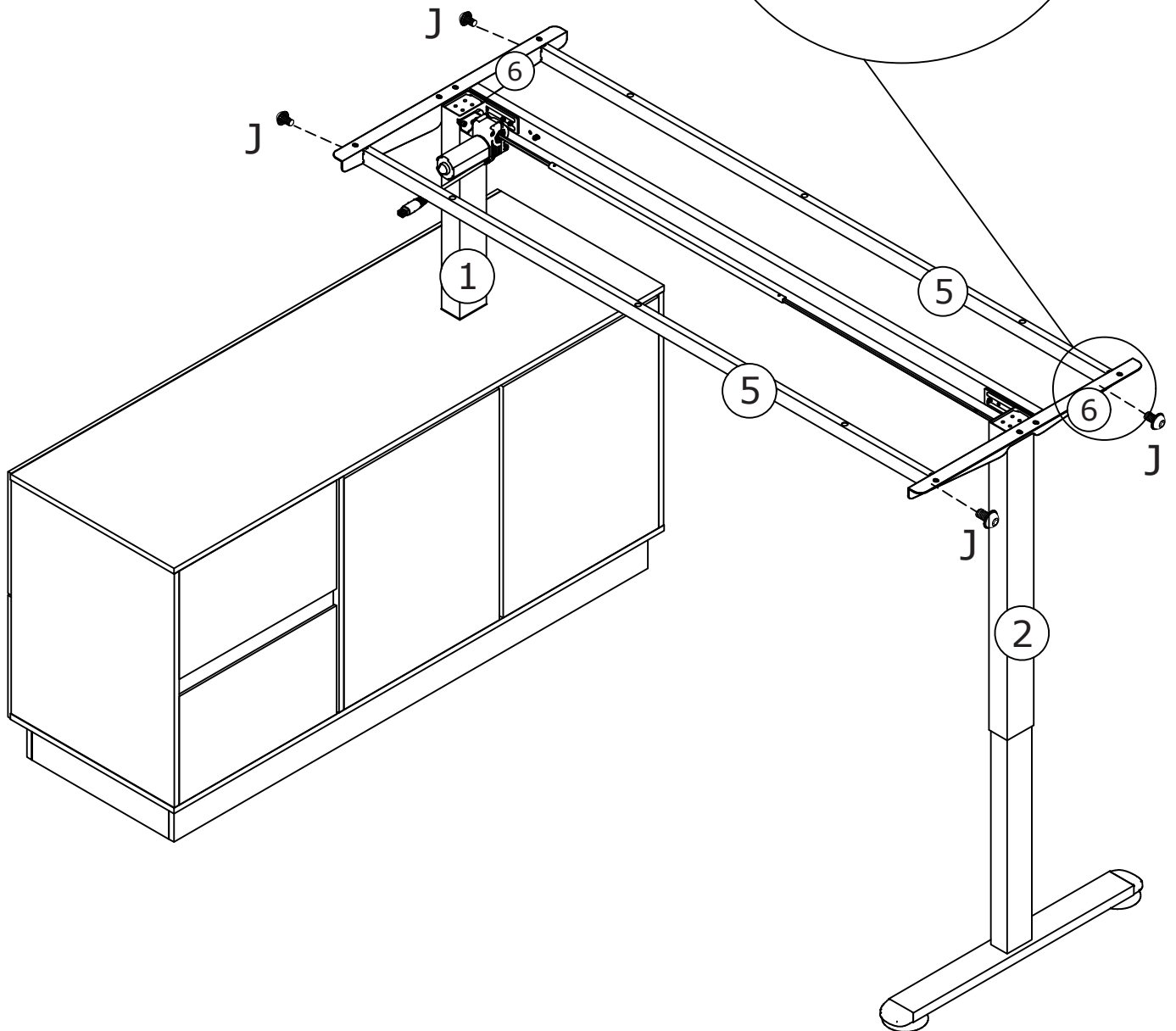
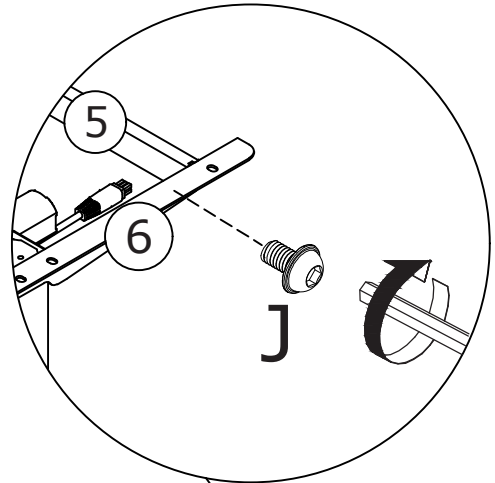
J x 4

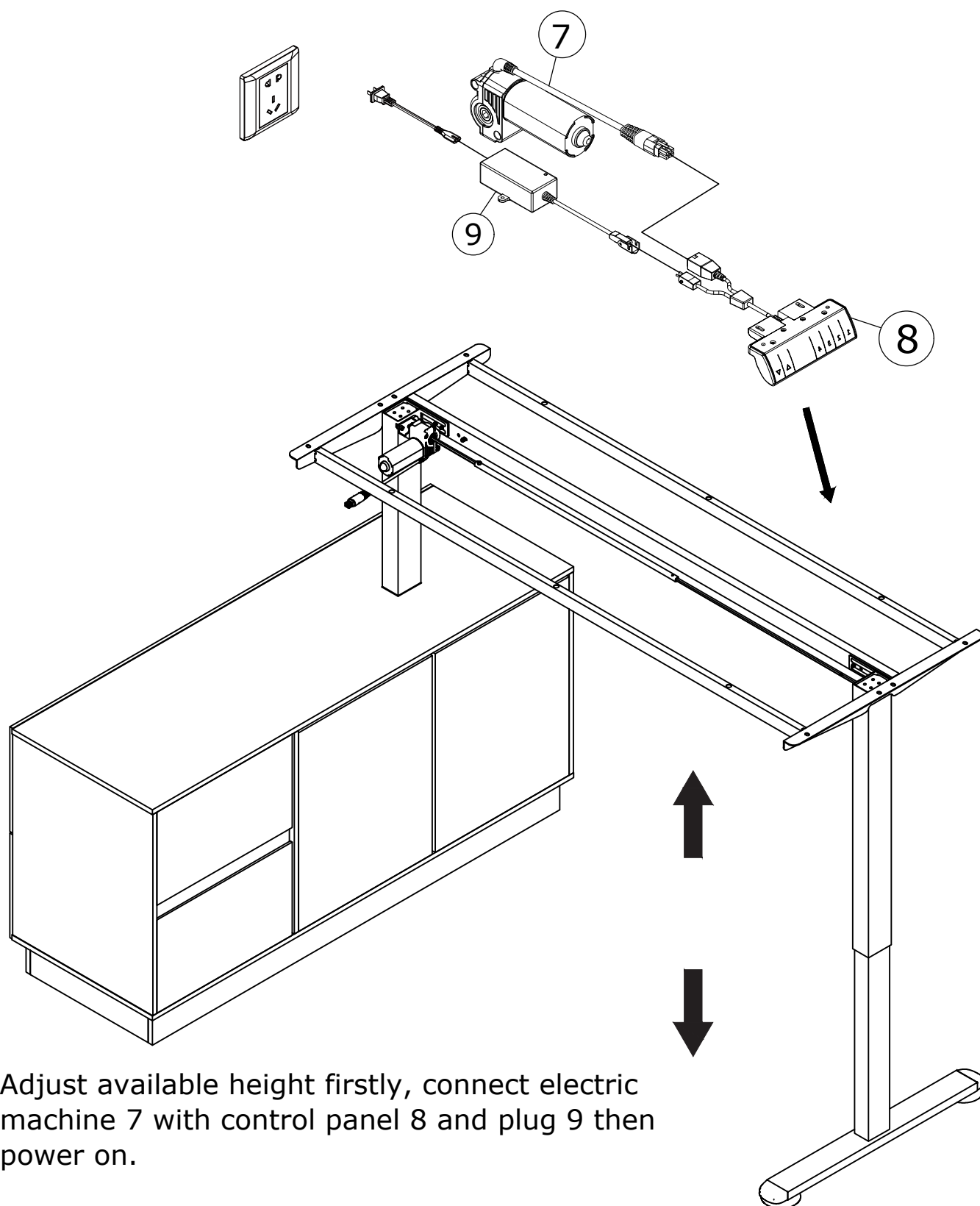


Ø 6 x 12mm



Fix steel frame 5 to steel frame 6 with screw(J) as shown.





Adjust available height firstly, connect electric machine 7 with control panel 8 and plug 9 then power on.

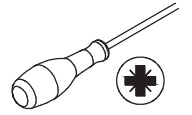


26

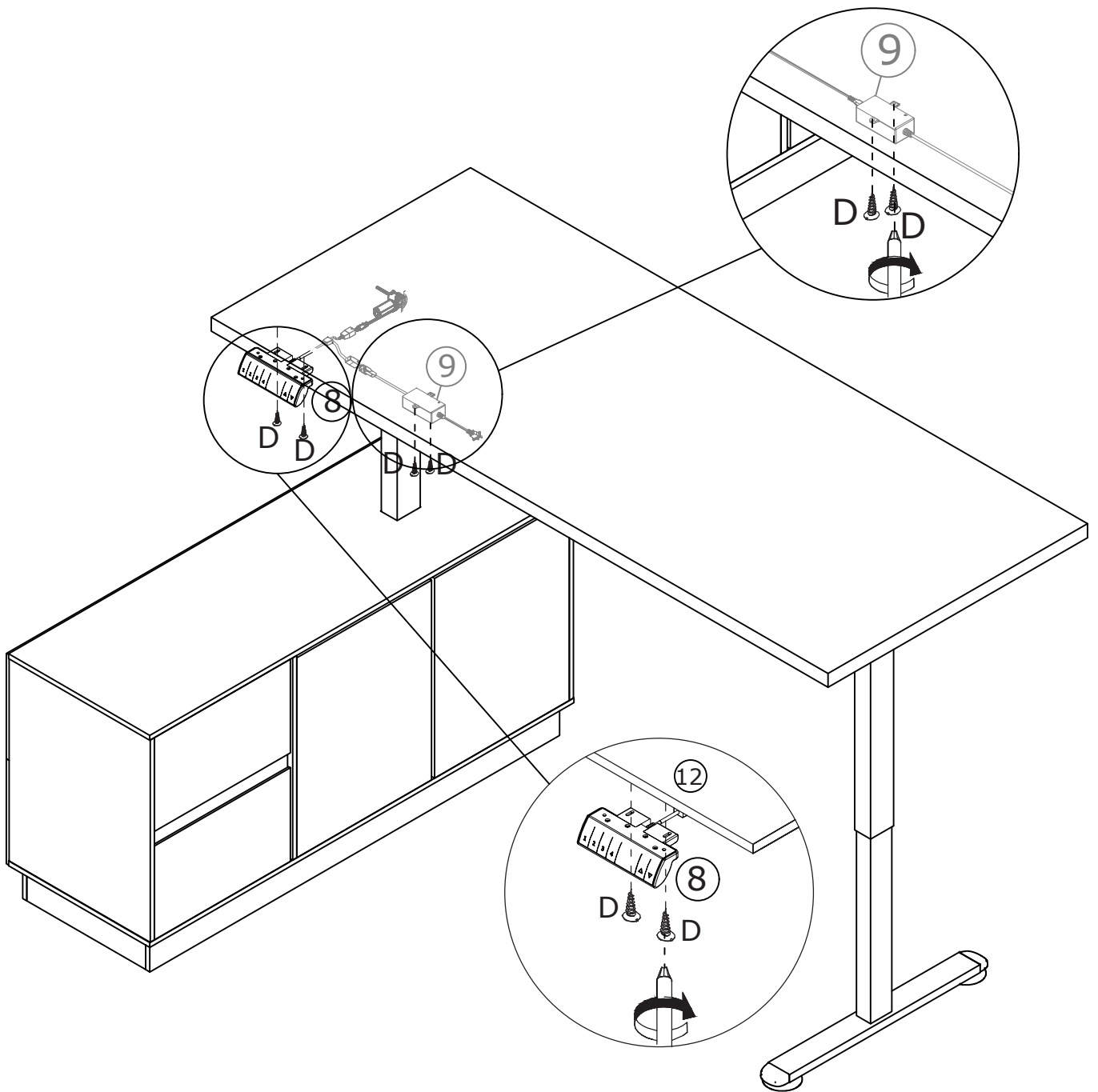
D x 4



CRD3514A



Fix control panel 8 and plug 9 to board 12 with screw(D) as shown.



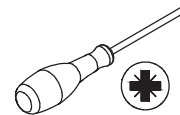
27

D x 8

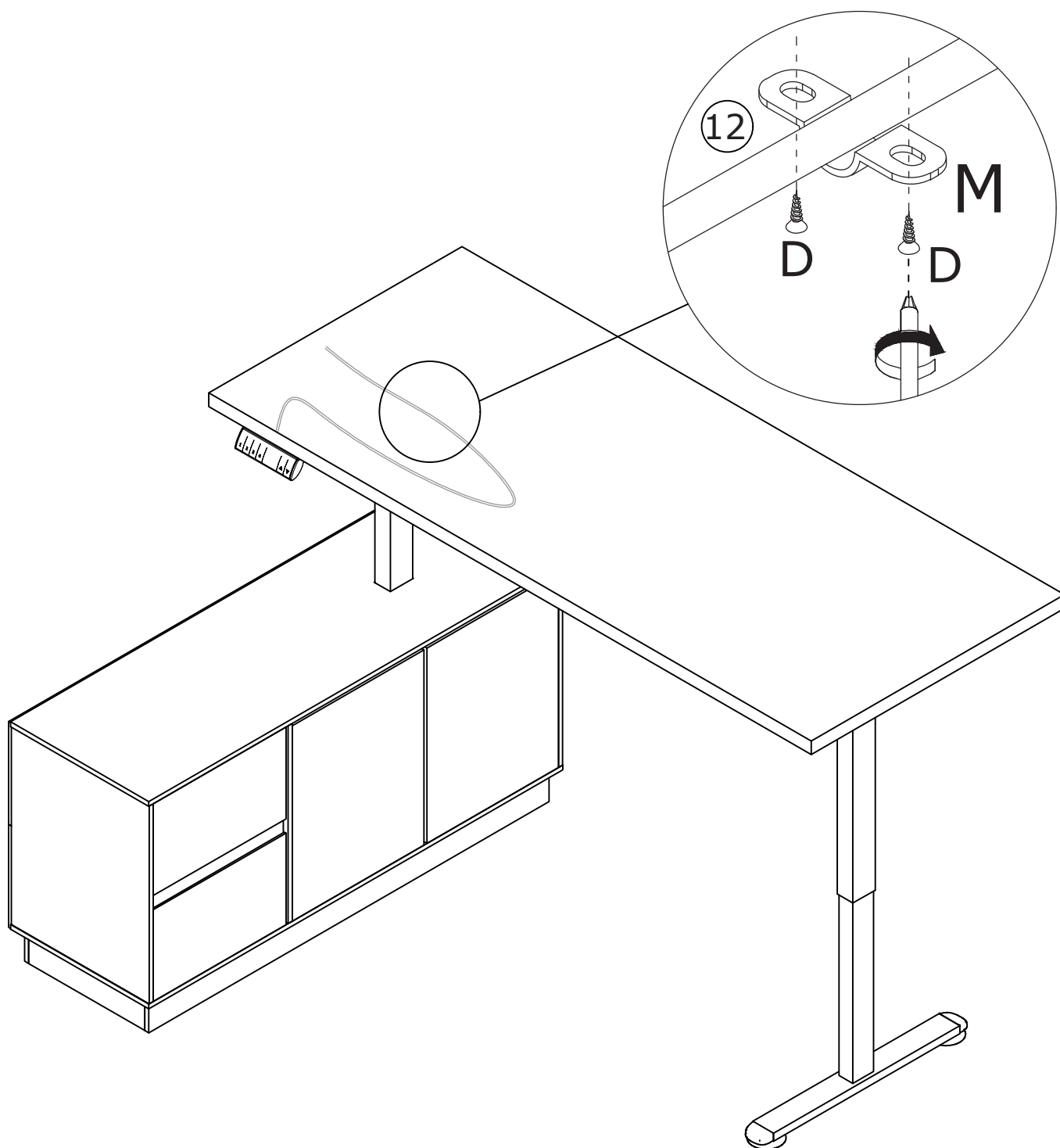


CRD3514A

M x 4



Settle wire with part(M), then fix part (M) to board 12 with screw(D) as shown.



# WARRANTY

## WARRANTY CLAIMS

- There is a 30-day warranty for broken furniture or any other problems that do not work properly. The warranty will start from the date of purchase which must be verified by proof of purchase.
- Before making a claim, we may be able to answer your query, simply call us. Please leave your purchase order number, along with some details of the problem, if you want a replacement part. We will arrange within 48 hours. If there is out of stock, we will reply with a shipping date.
- The product must be used in accordance with the instructions provided. For health reasons.
- For other reasons, if the furniture needs to be returned, it must be cleaned and dried and operated within 30 days of receipt.

## Type of Warranty Claim

- Failure to follow the furniture instructions will invalidate the warranty. Attention please.
- Does not include damage during installation, but includes damage during transportation.

## Scope of responsibility

- Shall not bear any responsibility for misuse or user damage and / or loss of parts during the installation of furniture.
- After using, the damage and scratches of the furniture are not covered by the warranty.

## The Warranty Relates to All Bought in The Us and Covers The Following Areas

- Sheet parts: 1 month from the date of purchase.
- Electrical parts: 1 month from the date of purchase.

# RETURNS

## CHANGED YOUR MIND AND NEED TO RETURN YOU ITEM?

### PLEASE FOLLOW THE BELOW INSTRUCTIONS:

- If you have purchased and have simply changed your mind, follow the retailer's instructions for returns.

### DEFECTIVE ITEMS

- If your item is defective in any way, i.e. it doesn't work but you can't identify why, in the first instance, please call us.

### DAMAGED ITEMS

- If you receive an order with obvious shipping damage from the retailer, then we suggest the delivery is refused. If the delivery has been accepted and then shipping damage is found, please follow the specific instructions advised by the retailer.  
In all circumstances please save all packaging material and paperwork for the order. Please be aware that if you dispose of packaging material or attempt to return the merchandise without contacting the fulfiller, you jeopardise your chances of making a claim, and you may not receive a credit for the return.

### AFTER-SALES CONTACT



adelahu@fufugaga.com



208-820-0068