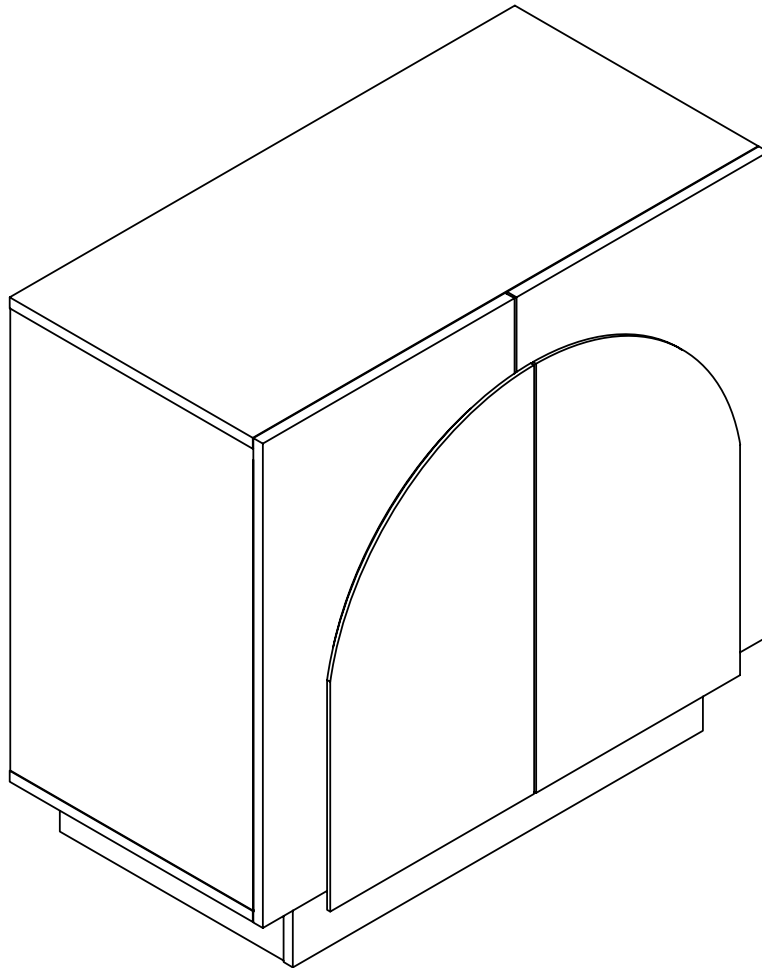


Let's build the

Iris Storage Cabinet

SKU 72020



Scan me!

Free Lifetime
Warranty

nathan james

23-0904-VN

Ok, let's get rolling

This should be easy, just follow our instructions and you will be back to Netflix in no time.

Estimated time for assembly



100:00

What you need

- Some bubbly or your preferred relaxant
- Use the packaging carton as a working surface to prevent product damage during assembly
- Phillips Screwdriver
- Drill
- 1/4" Drill Bit

Weight capacity

Furniture Max Weight Capacity



150
lbs

Top Max. 70 lbs

Adjustable Shelf Max. 30 lbs

Bottom Shelf Max. 50 lbs

Toll-free at 1-866-619-1004
Help@nathanjames.com
Nathanjames.com/help

What's included

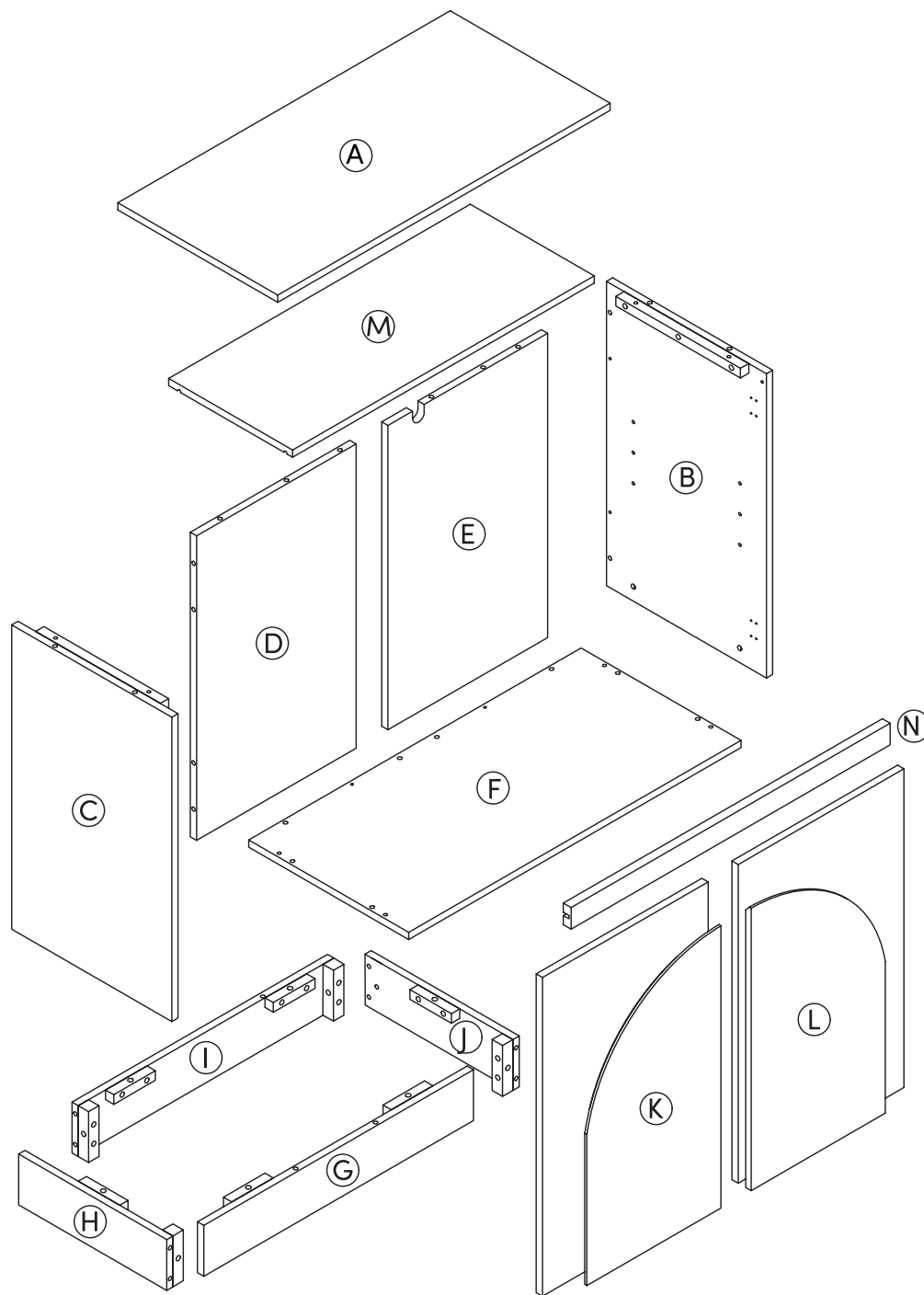
Description	Qty
A Top Panel	1
B Right Side Panel	1
C Left Side Panel	1
D Left Back Panel	1
E Right Back Panel	1
F Bottom Panel	1
G Base Front Panel	1
H Base Right Side Panel	1
I Base Back Panel	1
J Base Left Side Panel	1
K Left Door	1
L Right Door	1
M Adjustable Shelf	1
N Top Front Stretcher	1

Scan me!

Free Lifetime
Warranty



The goods

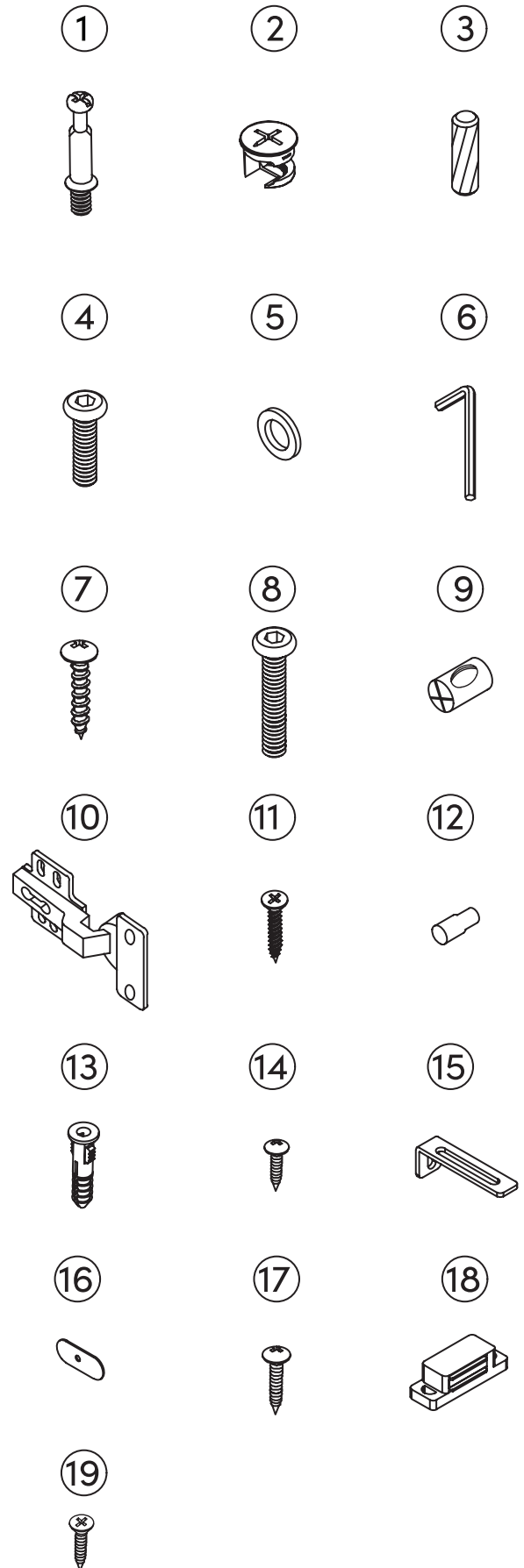


IMPORTANT

1. Do not tighten bolts / screws completely until all bolts / screws are lined up and inserted into holes.
2. Do not over tighten screws and bolts to avoid stripping.

What's included

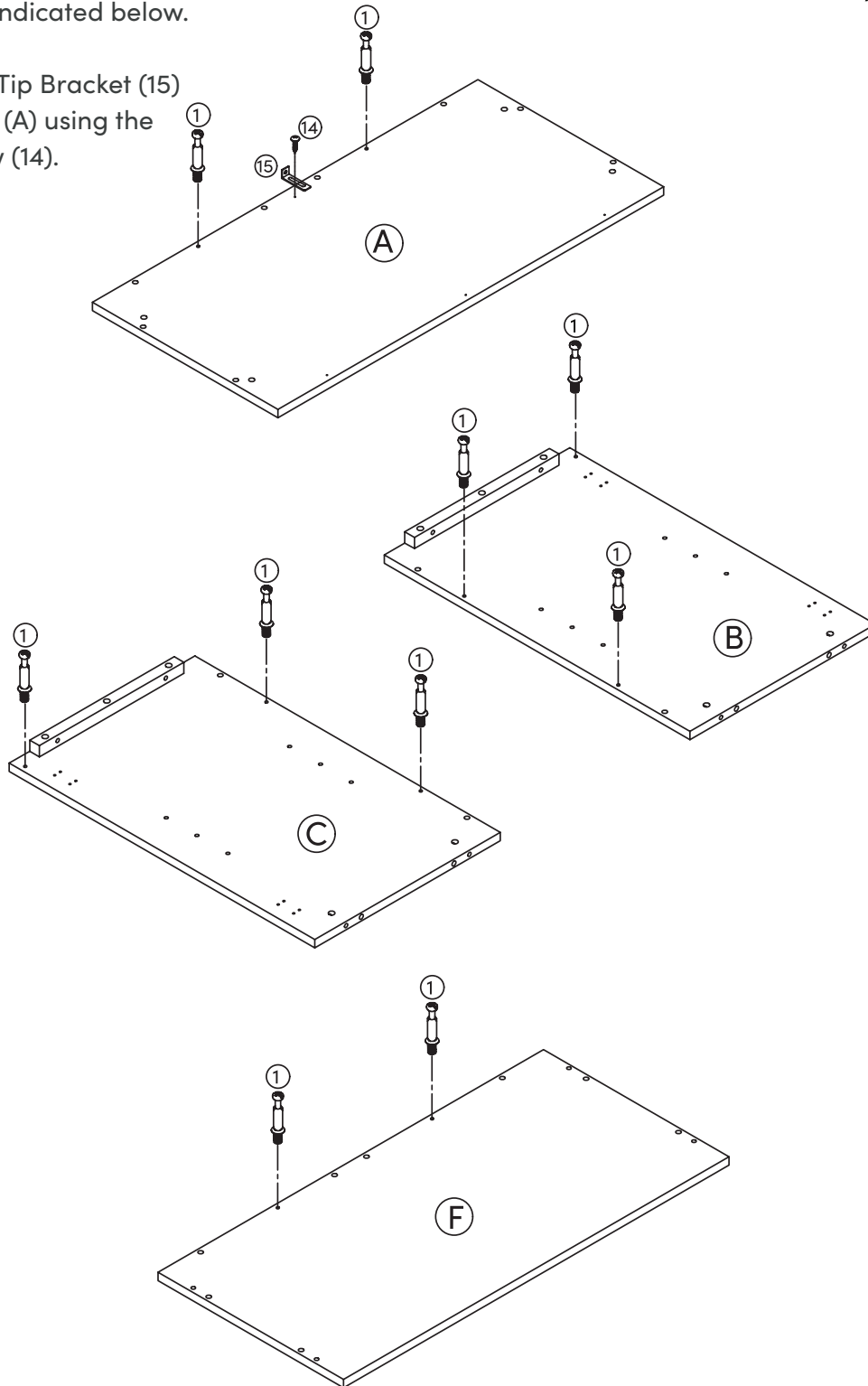
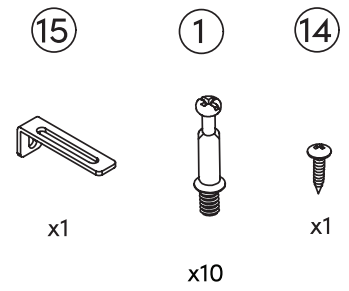
	Description	Qty
1	M6*35mm Cam Bolt	10
2	15*12mm Cam Lock	10
3	8*30mm Wooden Dowel	32
4	1/4**32mm Hex Button Head Bolt	14
5	Flat Washer	18
6	Allen key	1
7	M4*35mm Screw	4
8	1/4**50mm Hex Button Head Bolt	4
9	Barrel Nuts	4
10	Hinge	4
11	M4*14mm Screw	24
12	Shelf Pin	4
13	Wall Anchor	1
14	M4*12mm Screw	1
15	Anti-lip Bracket	1
16	Door Catch Plate	2
17	M3*15mm Screw	4
18	Magnetic Catch	2
19	M3*12mm Screw	2



Step 1

Let's get this thing fired up! Start by putting Cam Bolts (1) into the Top Panel (A), Right Side Panel (B), Left Side Panel (C), and Bottom Panel (F), in the holes indicated below.

Secure the Anti-Tip Bracket (15) to the Top Panel (A) using the M4*12mm Screw (14).



Step 2

Grab your screwdriver for this step! Use the Cam Locks (2) and Wooden Dowels (3) to secure the Left Back Panel (D) to the Left Side Panel (C).

2



x2

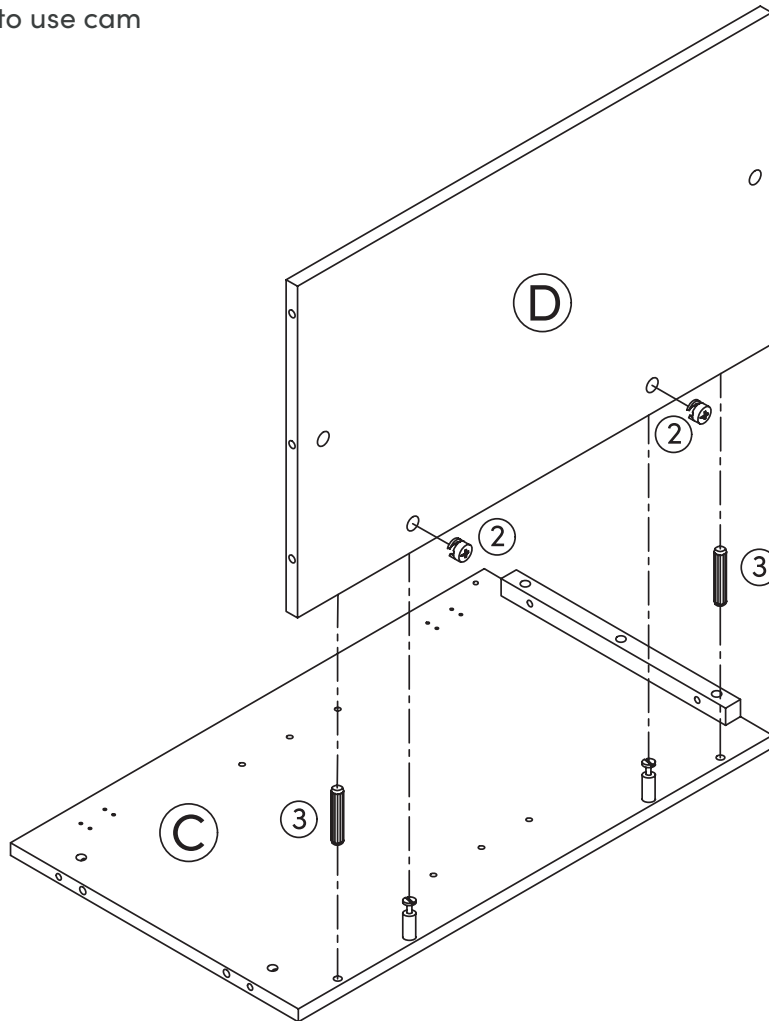
3



x2



See the following page for a quick guide on how to use cam locks!



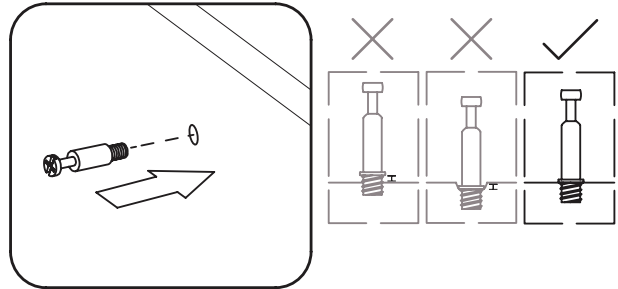
How to use cam locks

Did you know?

Cam locks are used to join two panels together, usually the edge of one to the flat side of another.

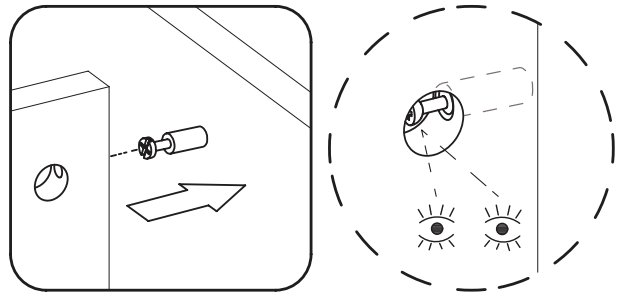
First, your cam bolt (or cam pin) will need to be properly inserted into the flat side of the board.

Important Note: Only tighten the cam bolt until it is secure. Do not over-tighten.



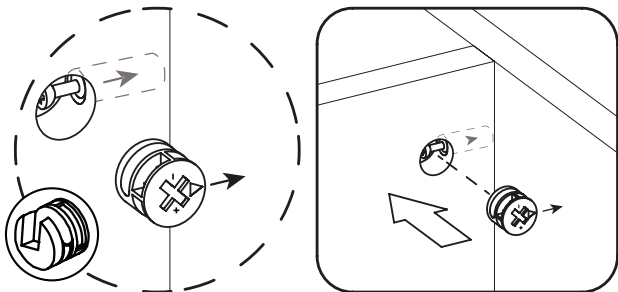
Next, you will fit the proper hole on the edge of the associated joining panel over the cam bolt.

Important Note: When installed properly, the head of the cam bolt will be visible through the larger hole on the side of the joining panel.



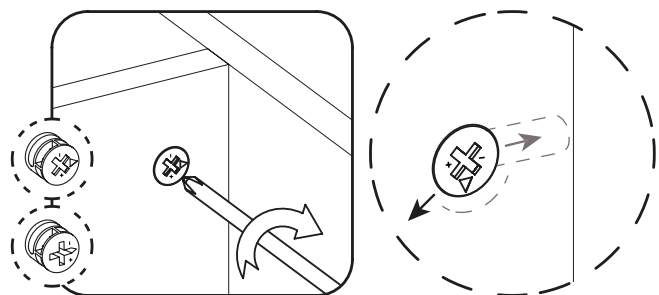
Next, you will notice the cam lock has a “C” shaped back. Commonly, an arrow on the front of the cam lock points in the same direction as the open section on back.

Using these as your cue, insert the cam lock into the large hole so the opening of the “C” fits over the head of the cam bolt.



Using a screwdriver, you will turn the cam lock until it stops, usually between 130° or 180°. You will feel the panels pulling closer until they are secured.

Important Note: Only turn the cam lock until the panels are fully engaged & feel secure. Turning too far may lead to hardware failure.



Still having issues?

If a cam lock seems to be spinning in place or is not “catching” or pulling the panels together as expected, first remove the cam lock & try again while making sure that everything is properly positioned & oriented.

If you are still having issues getting things working as expected, first remove the cam lock then unscrew the cam bolt slightly (less than 1 complete turn) to see if that helps with the alignment of the cam lock & bolt.

Step 3

Don't put your screwdriver away quite yet! Use the Cam Locks (2) and Wooden Dowels (3) to secure the Right Back Panel (E) to the Right Side Panel (B)

2



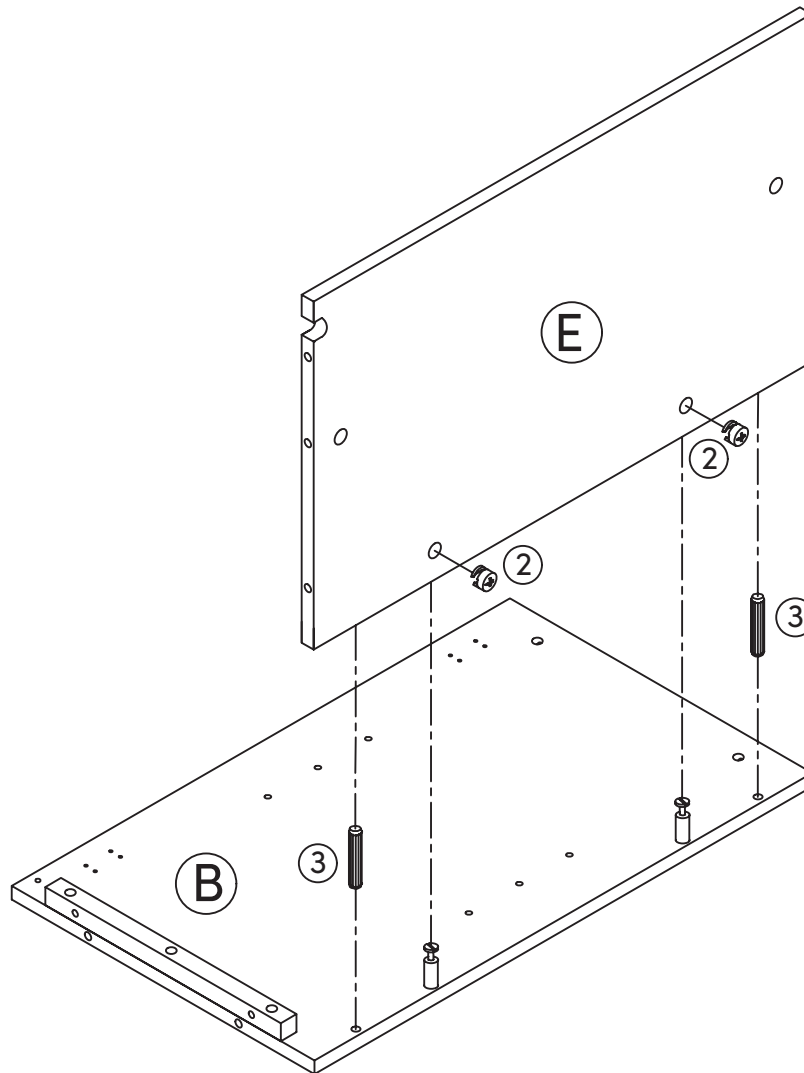
x2

3



x2

Flip back to Page 7 if you need a refresher on how to use cam locks.



Step 4

Now secure the panels (B) and (E) from Step 3 to the Top Panel (A). Tighten to 75%!

2



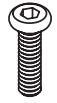
x1

3



x4

4

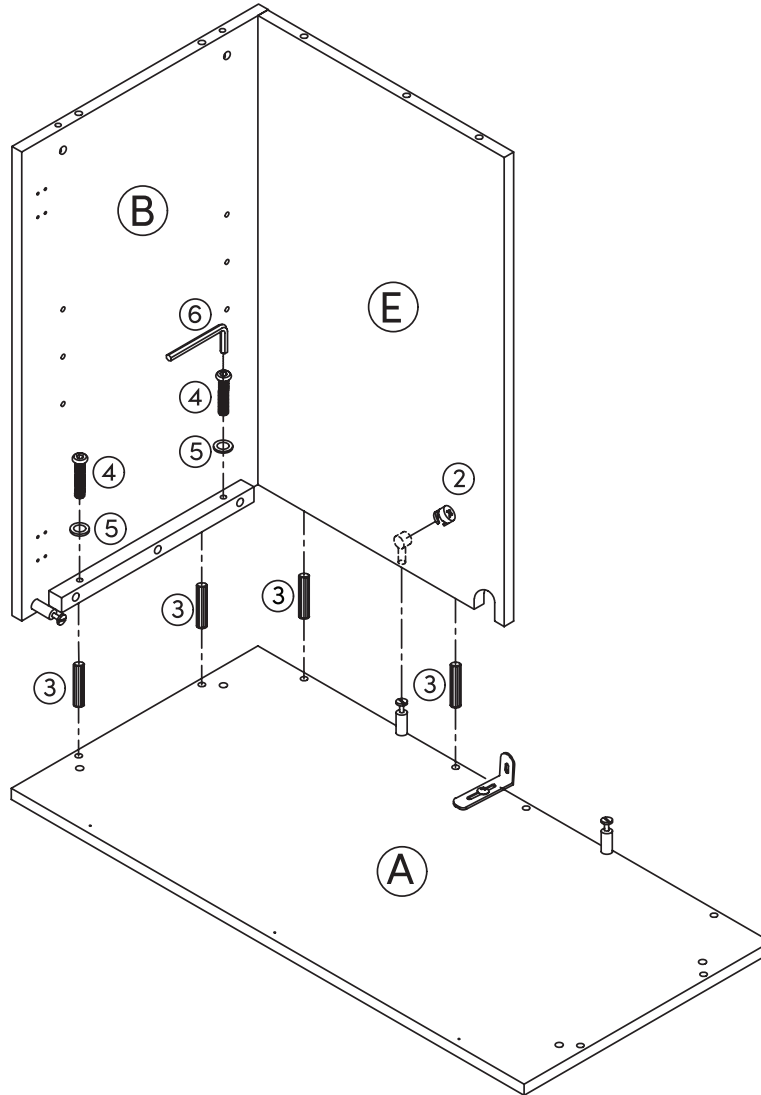
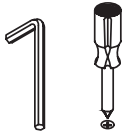


x2

5



x2



Step 5

No, this isn't Deja Vu! Now secure the (D) and (C) panels to the Top Panel (A). Tighten to 75%!

2



x1

3



x4

4

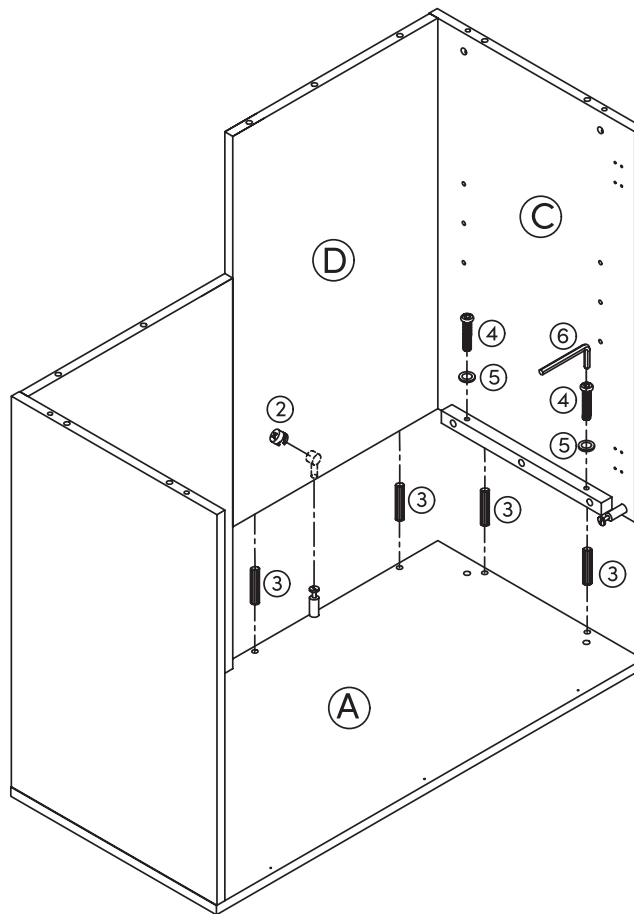
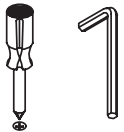


x2

5

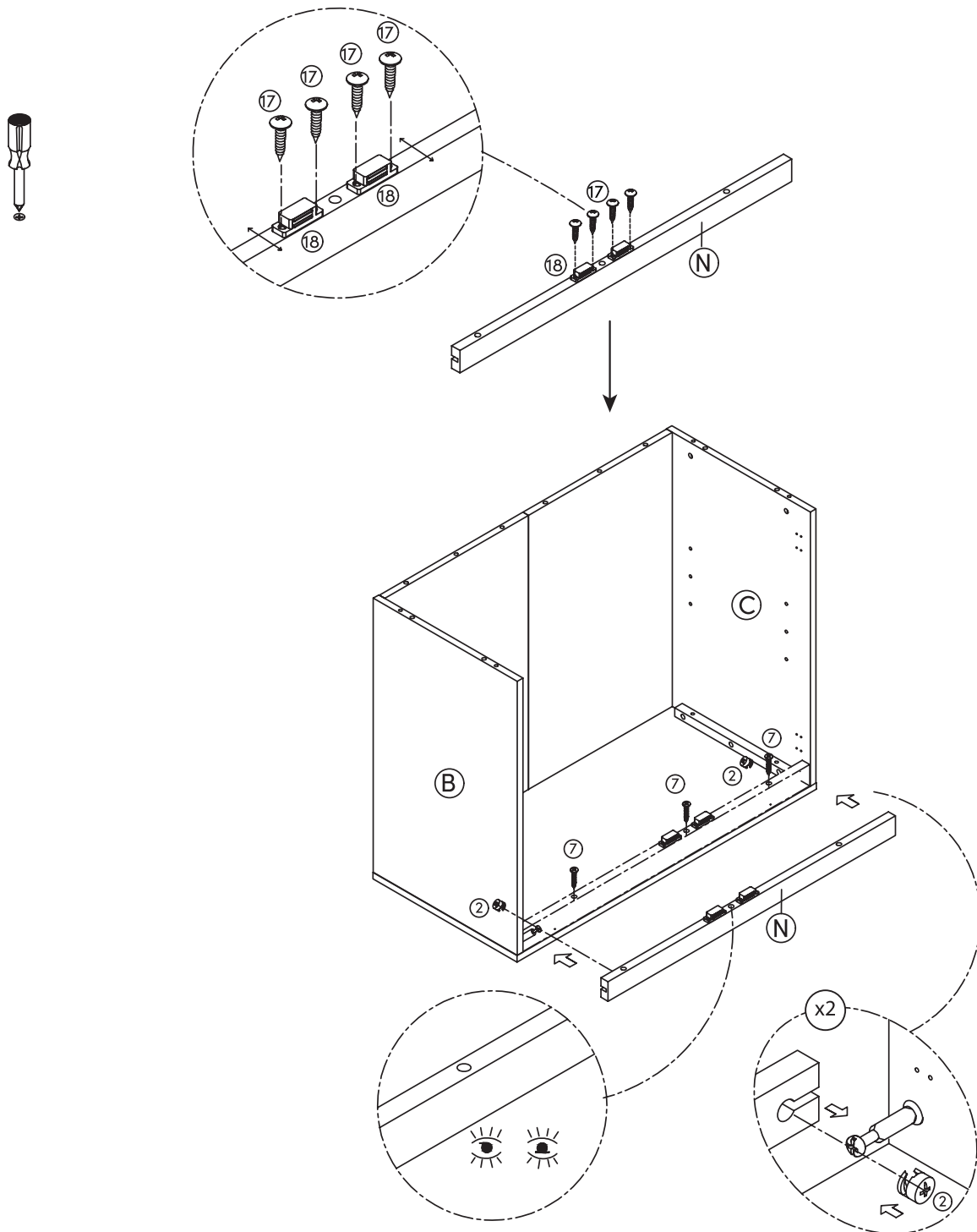
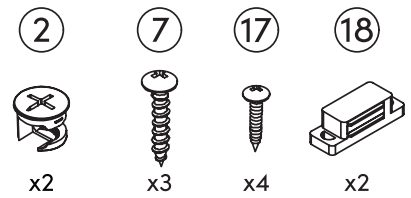


x2



Step 6

Secure the Magnetic Catches (18) to the Top Front Stretcher (N) using the M3*15mm Screws (7). Then, secure the Top Front Stretcher (N) to the unit with the Cam Locks (2) and M4*35mm Screws (7).



Step 7

This is the last step with cam locks, we promise! Join the Bottom Panel (F) to the unit you've assembled so far using the Wooden Dowels (3) and Cam Locks (2).

2

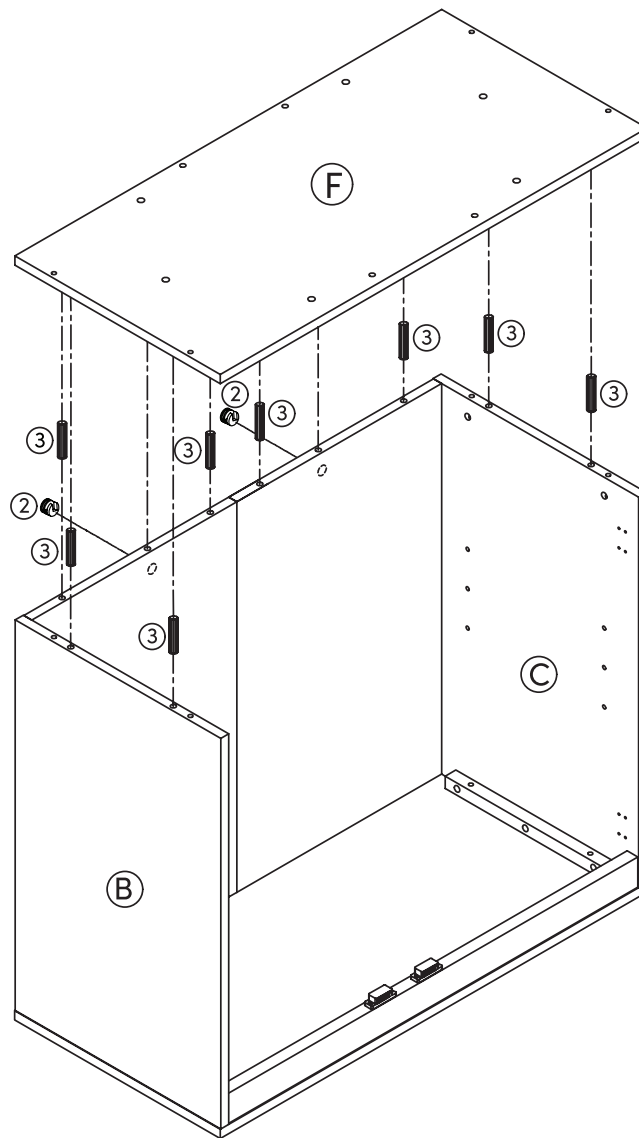
3



x2

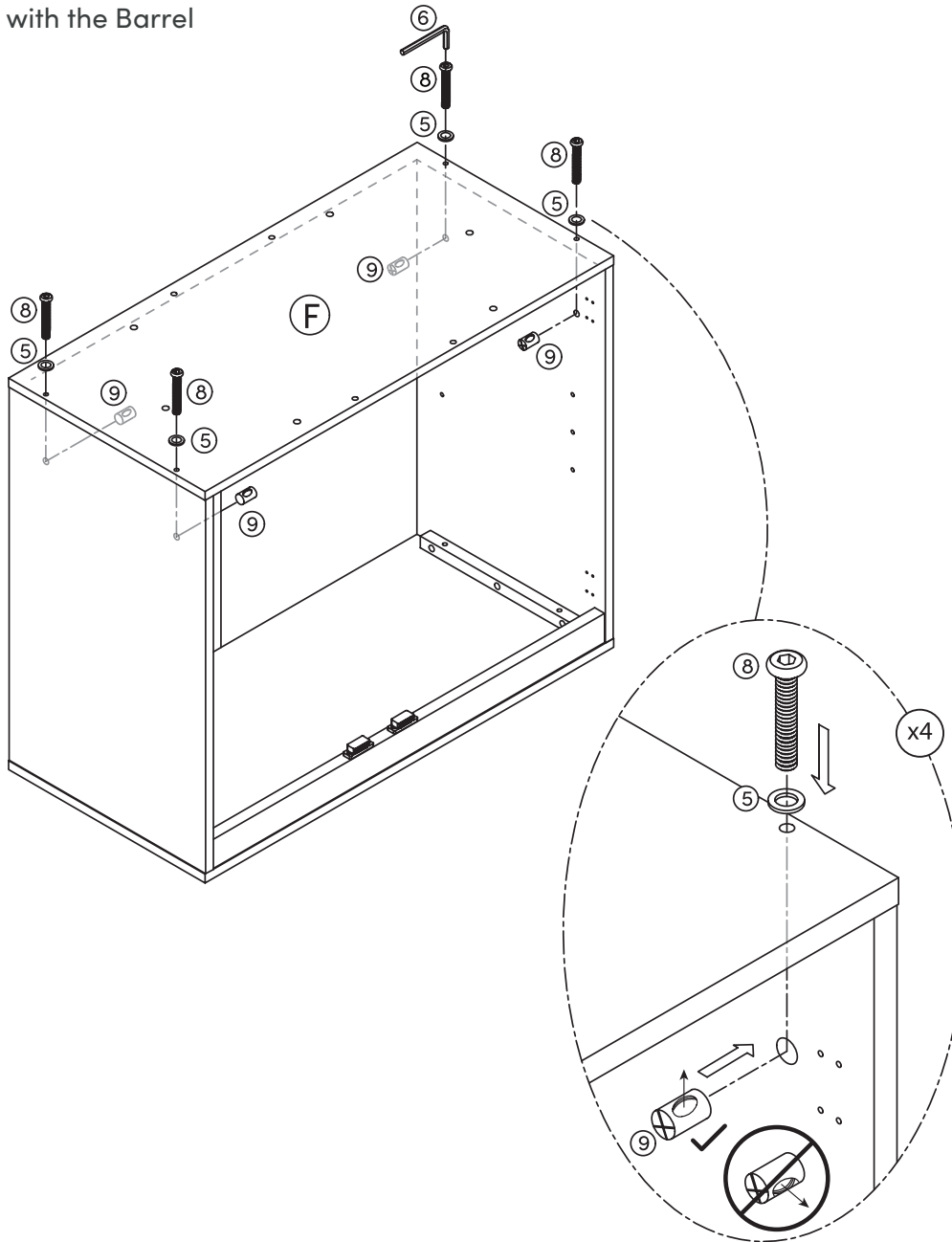
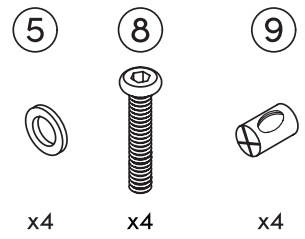


x8



Step 8

Get the Bottom Panel (F) secured using the Flat Washers (5) and Hex Button Head Bolts (8) - be sure to line them up correctly with the Barrel Nuts (9).



Step 9

You are halfway done! Join the Base Back Panel (I) to the Base Left Side Panel (J) together using a Flat Washer (5) and Hex Button Head Bolt (4) and Wooden Dowels (3).

3



x2

4



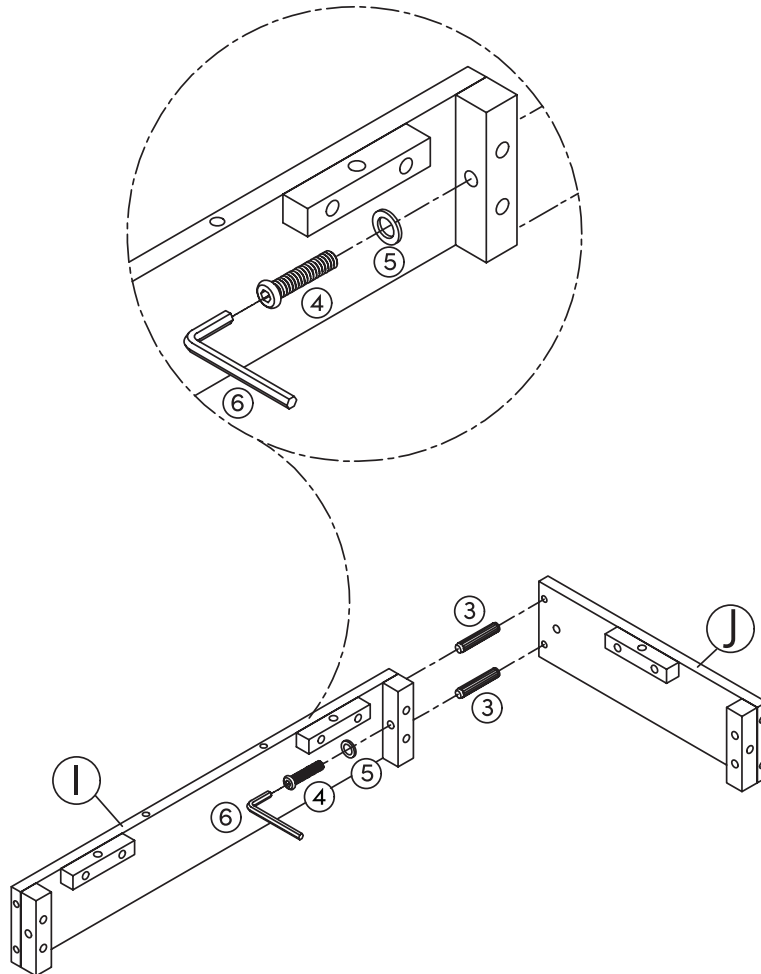
x1

5



x1

Tighten to 75%!



Step 10

Attach the Base Right Side Panel (H) to the Base Back Panel (I) using a Flat Washer (5) and Hex Button Head Bolt (4) and Wooden Dowels (3).

3

4

5



x2

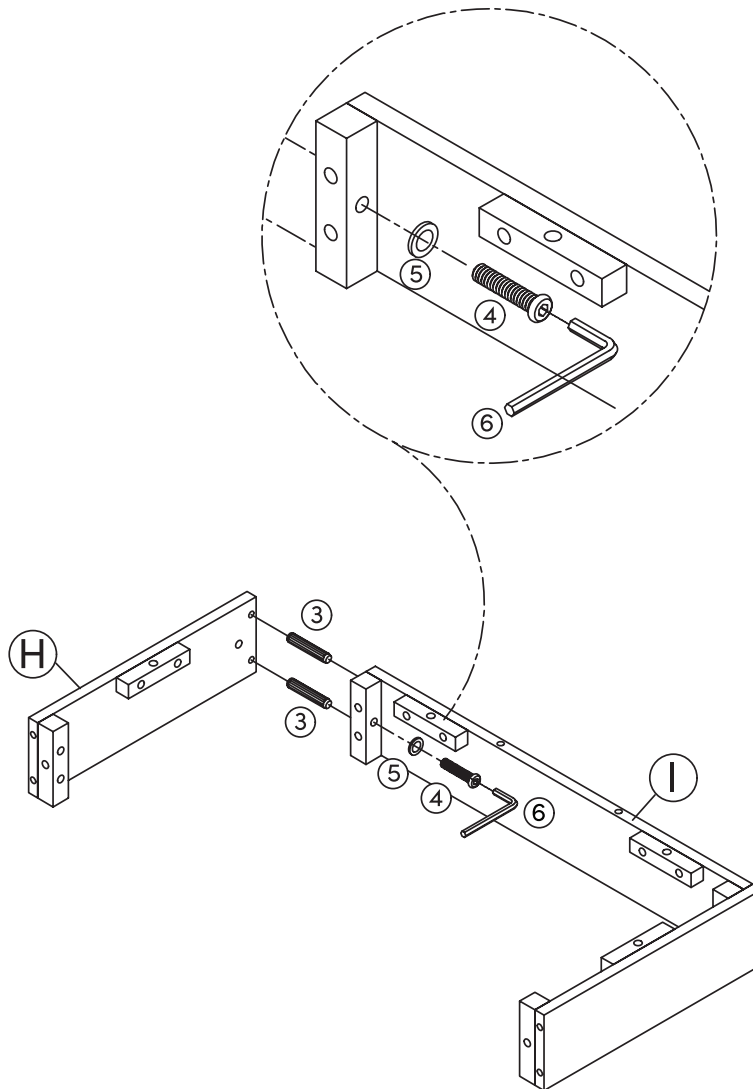


x1



x1

Tighten to 75%!



Step 11

You're a pro at this by now!
Attach the Base Front Panel
(G) to Part (J) and (H) using a
Flat Washer (5) and Hex Button
Head Bolt (4) and the Wooden
Dowels (3).

3

4

5



x4

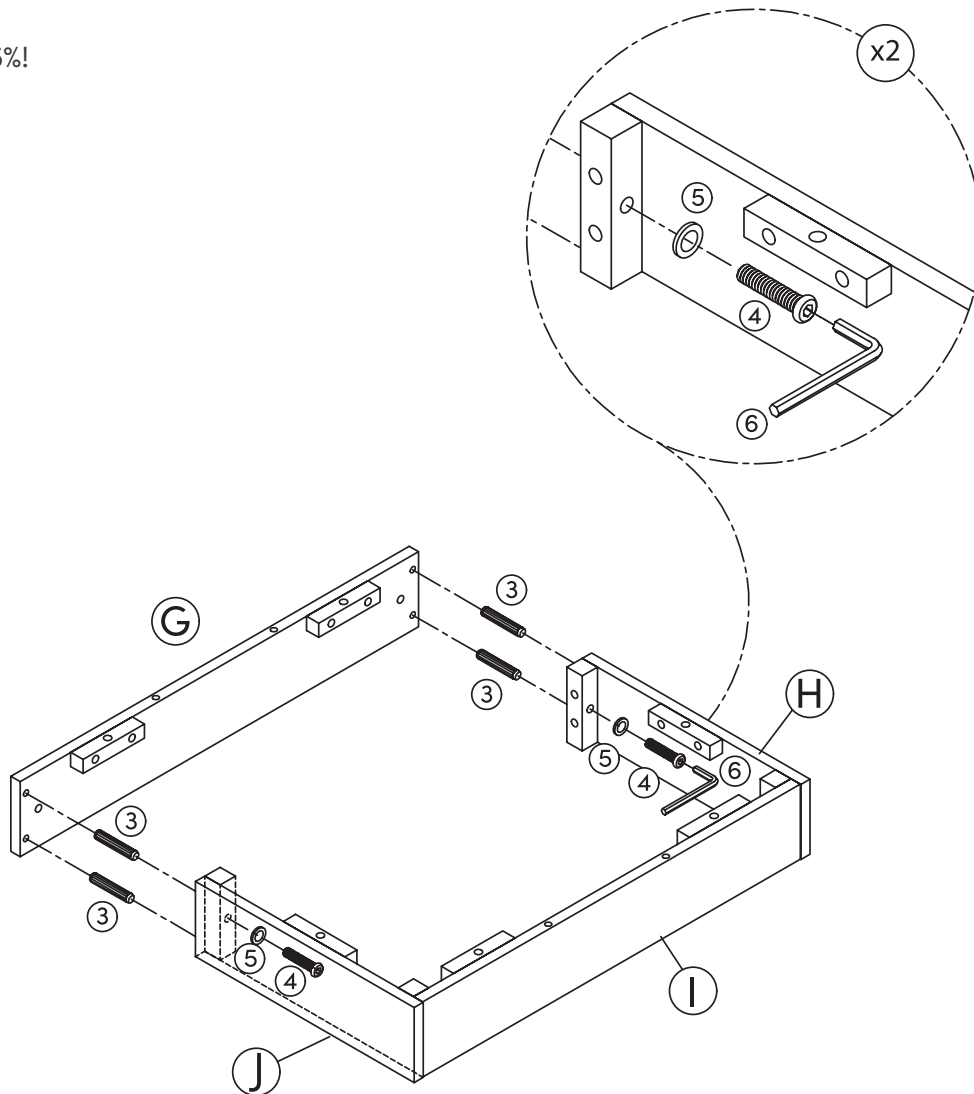
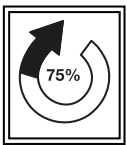


x2



x2

Tighten to 75%!



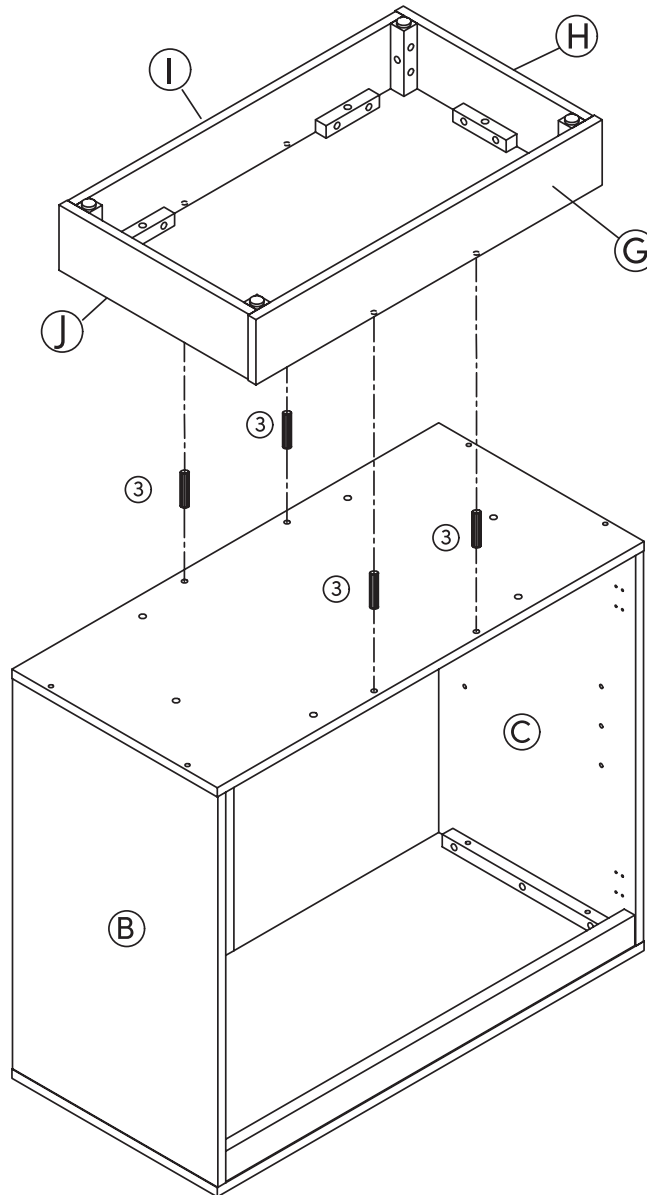
Step 12

Use four Wooden Dowels (3) to join the assembled panel pieces to the unit from Step 8.

3

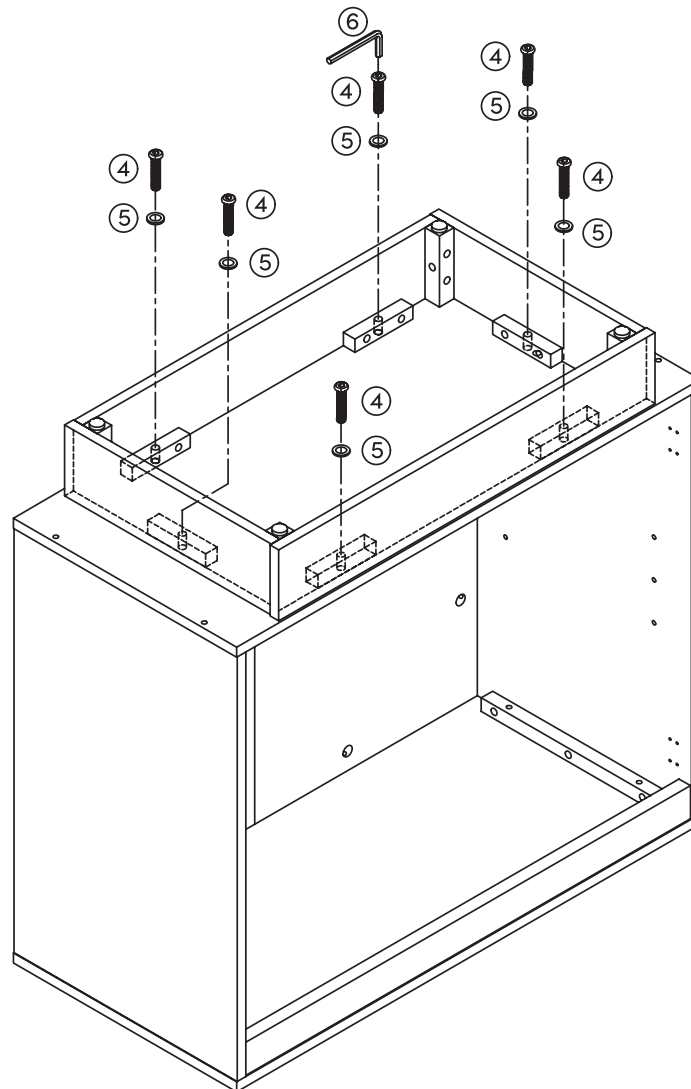
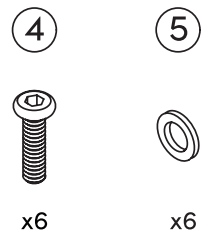


x4

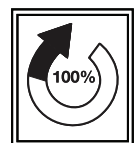


Step 13

Secure using the Flat Washers (5)
and Hex Button Head Bolts (4).

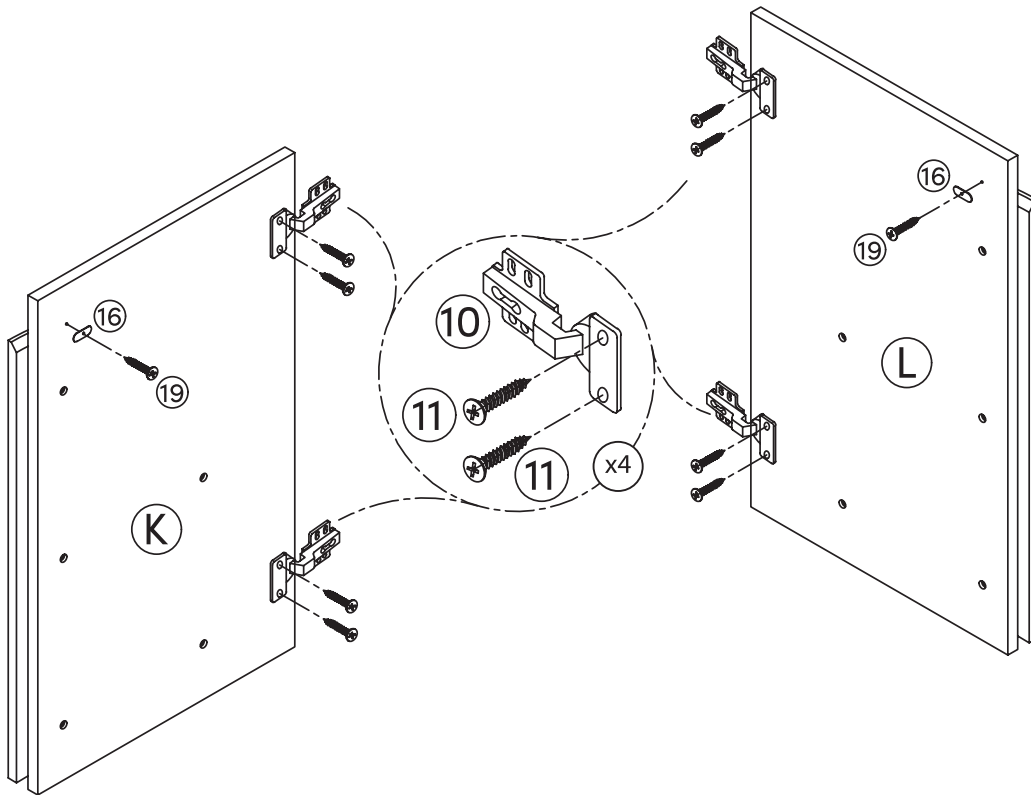
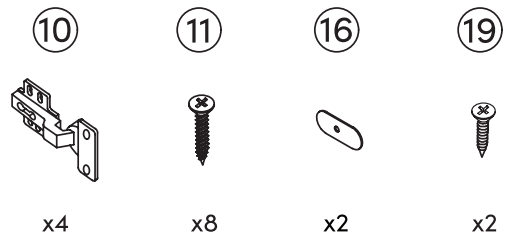


Once everything is lined up and partially secured, go ahead and re-tighten all previous connections to 100% tighten.



Step 14

Shut the front door - you're only five steps away from being done. Speaking of doors - grab the Left (K) and Right (L) doors and secure the four Hinges (10) onto them. Secure the Door Catch Plate (16) to the tops of the doors, too!



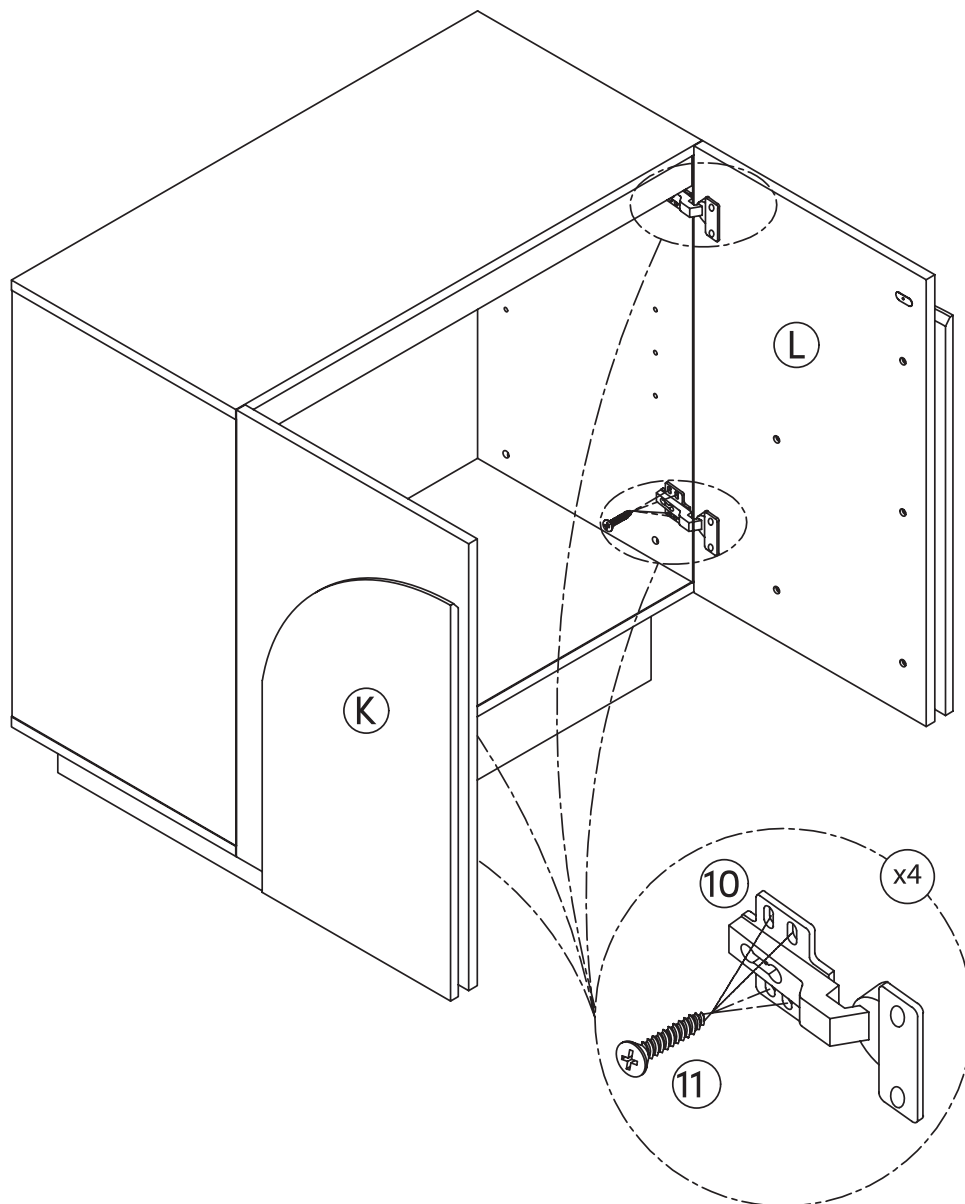
Step 15

It's all coming together!
Secure the doors to the
unit by the Hinges using
the M4*14mm Screws (11).

11



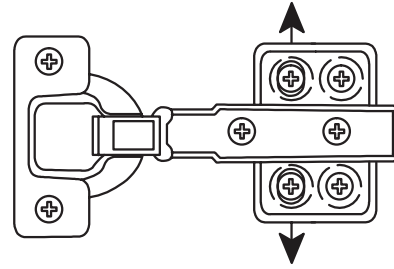
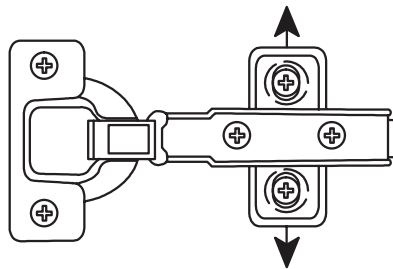
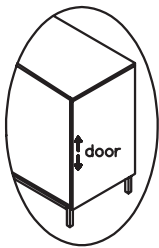
x16



Is your cabinet door looking crooked or unevenly spaced?

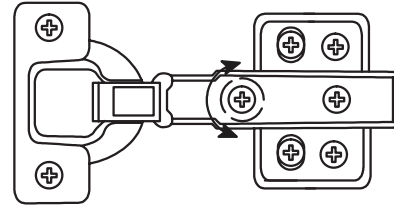
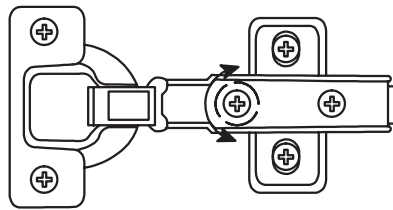
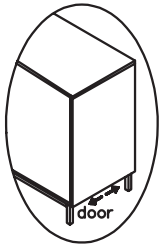
Then you've come to the right place. Follow the illustrations below to get your cabinet door aligned and ready for action.

If your door is too low or too high...



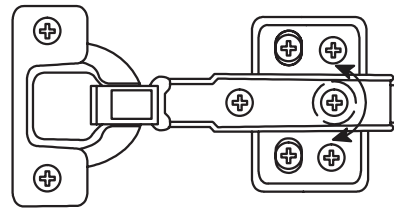
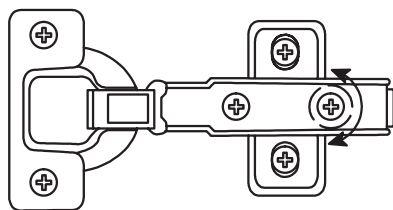
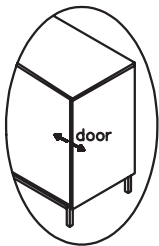
Loosen the height screws, then move the door up or down to make it level.

If the space between your doors is off...



Loosen the side-to-side screws, then screw counter-clockwise to make the gap wider or clockwise to close any gaps.

If you need to adjust the depth of the doors...



Adjust the in-and-out screws until the door is aligned with the side of the cabinet.

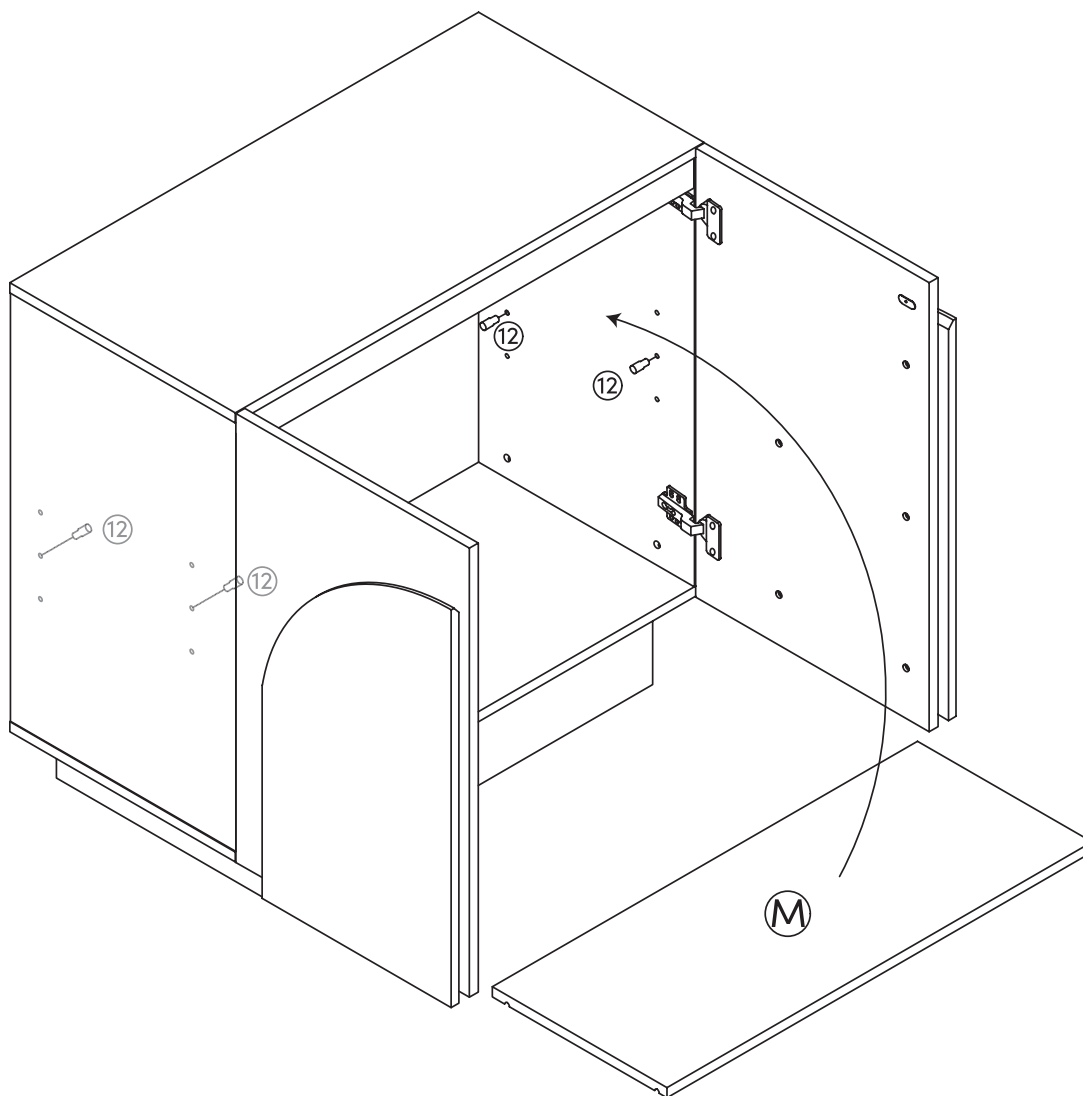
Step 16

Place the Shelf Pins (12) at your desired shelf height and carefully slide the Shelf (M) to rest on top of the pins.

12

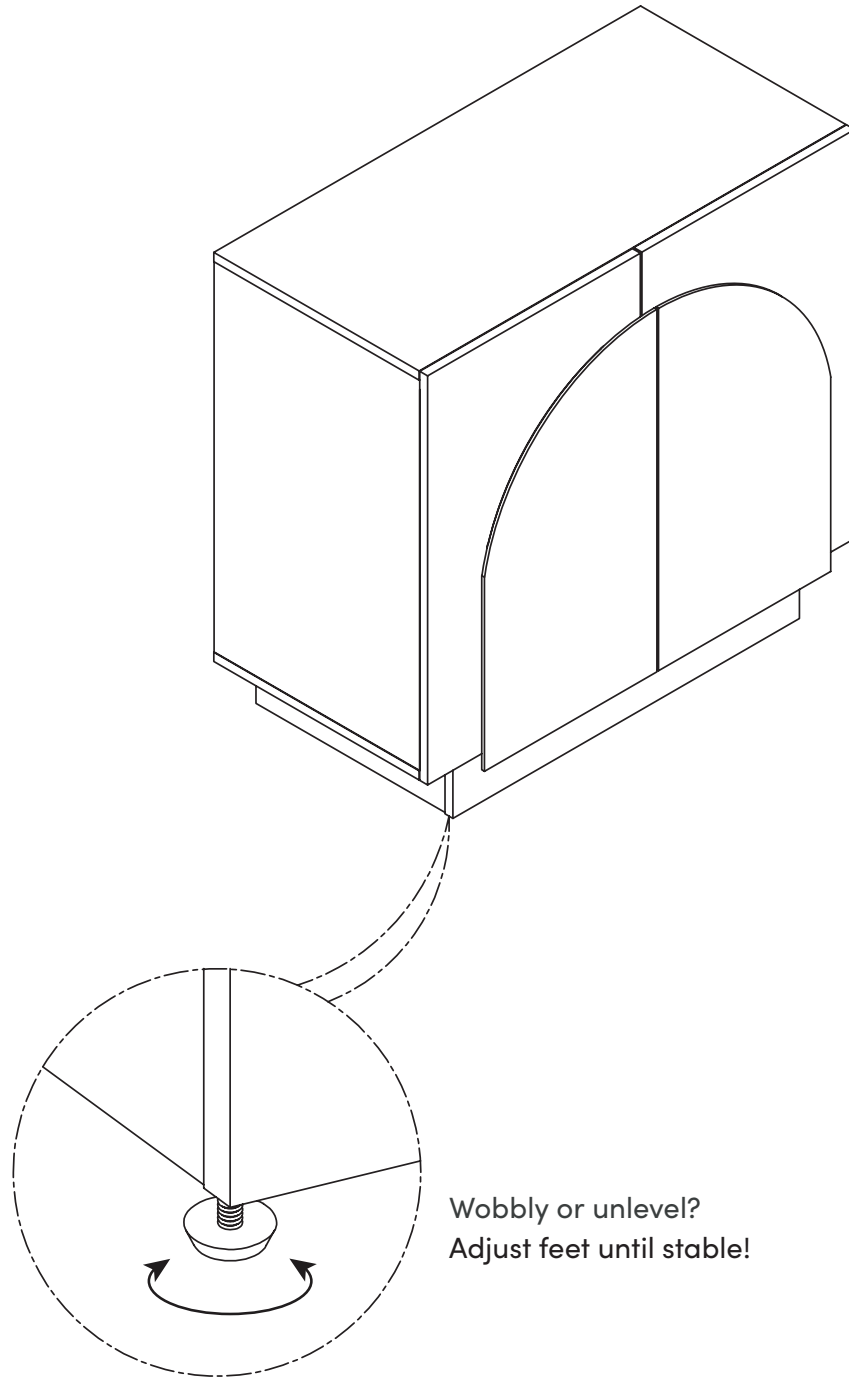


x4



Step 17

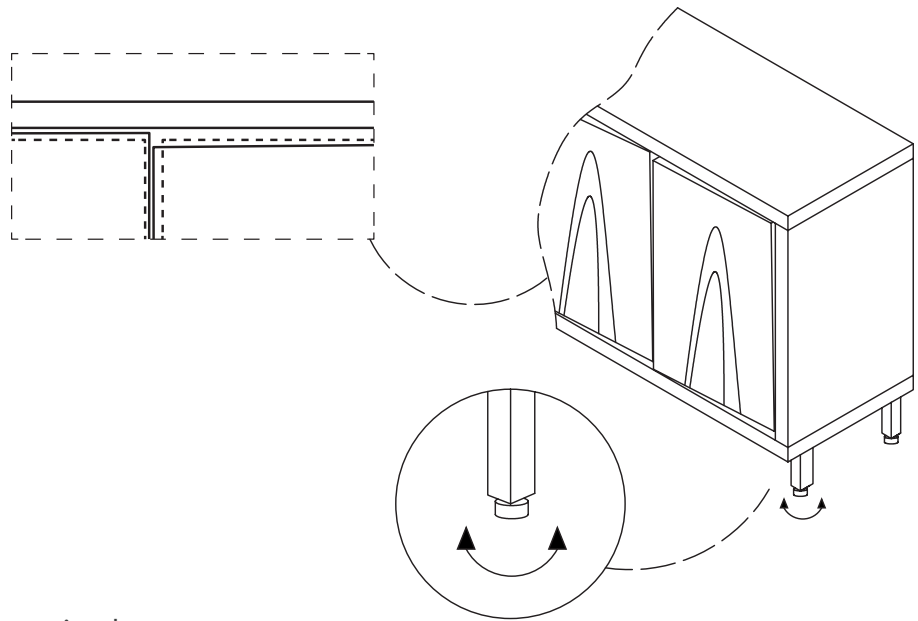
Time for the finishing details!



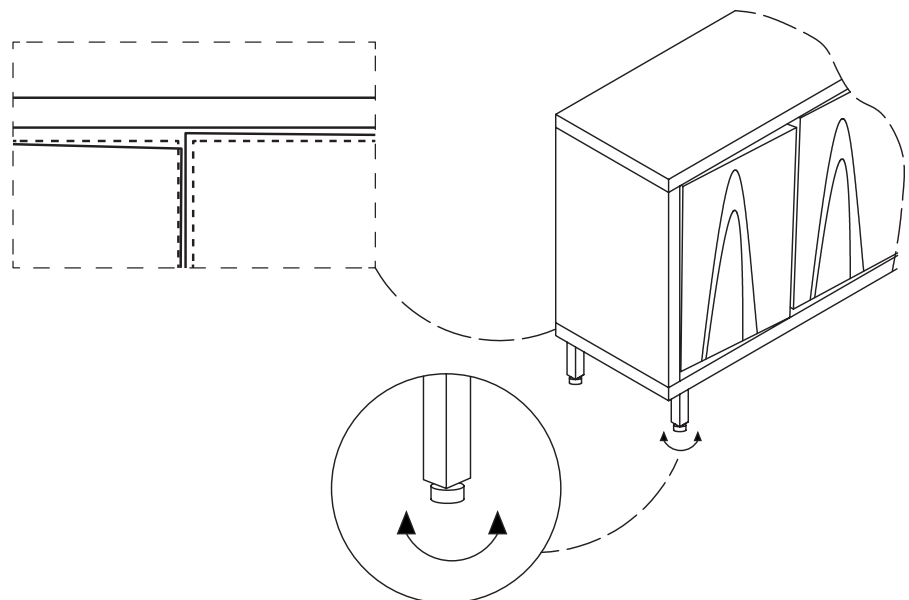
Is your cabinet door looking crooked or unevenly spaced?

If you're still having trouble lining everything up, your next step should be to try to adjust the feet slightly to square up the cabinet & doors. Follow the illustrations below:

If the right door appears to be hanging low, you can adjust the adjustable leveler on the front right until the door is better aligned.



If the left door appears to be hanging low, you can adjust the adjustable leveler on the front left until the door is better aligned.



Step 18

Safety first! Start by drilling a hole in the wall using a 1/4" drill bit and pushing a Wall Anchor (13) into the hole. Then, secure the storage unit to the wall by screwing in a M4*35mm Screw (7) through the Anti-Tip Bracket you installed all the way back from Step 1 and into the Wall Anchor (13).

13



x1

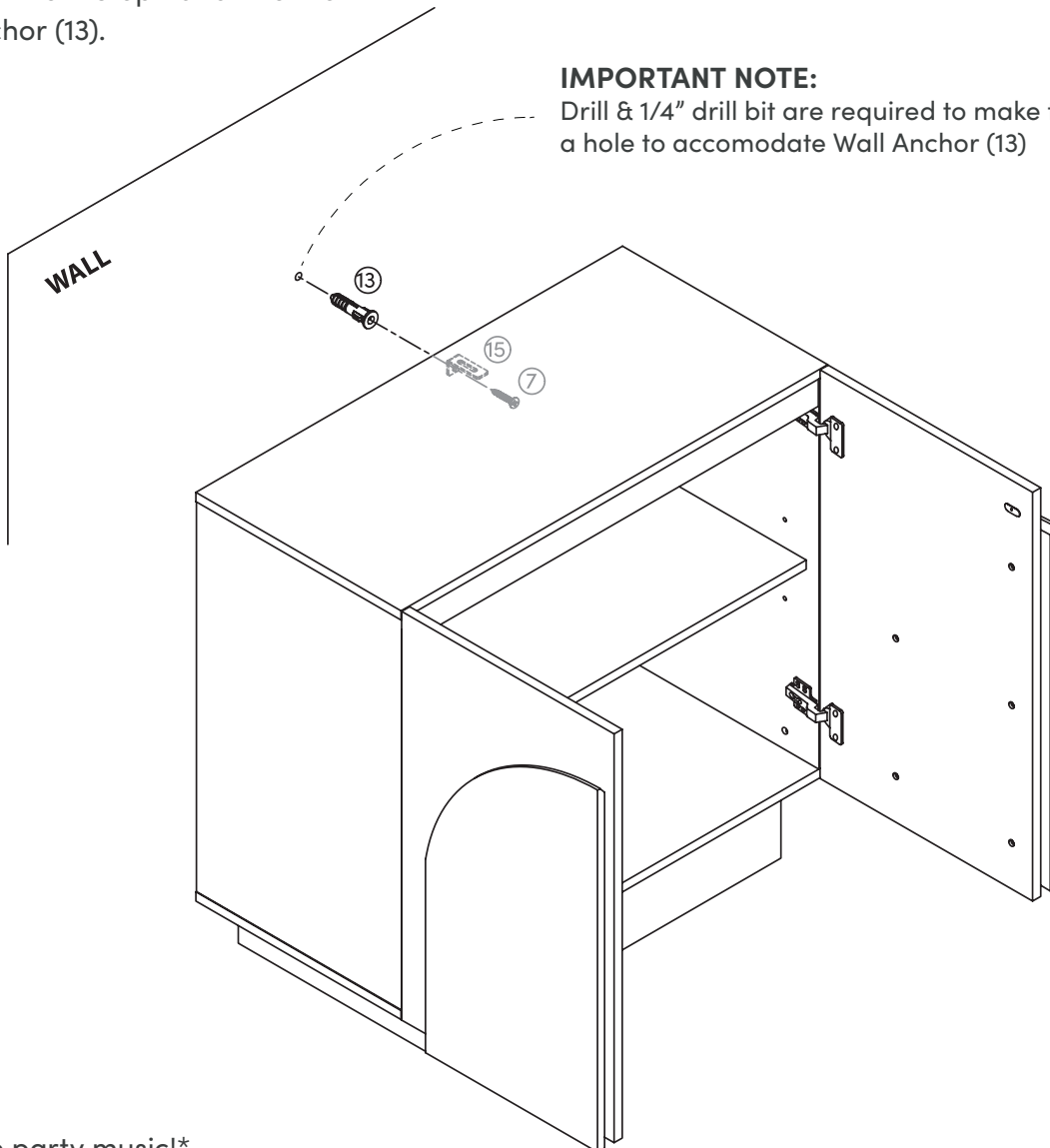
7



x1

IMPORTANT NOTE:

Drill & 1/4" drill bit are required to make the a hole to accomodate Wall Anchor (13)



Cue the party music!

You did it!

No heartburn, when we handle the return

Give us a call **1-866-619-1004** or shoot us a message at **help@nathanjames.com** we will issue you a free replacement with **zero hassle**.

Our way



Give us a call



Replacement



You

Their way



Re-package item



Schedule pick up



Track package



Replacement



You

We really don't want you to go through the hassle of re-packaging your item and sending it back, because let's be honest...nobody has time for that.

Safety first, fun later

We want your product to last as long as possible, so we recommend that you tighten the screws 2 weeks after assembly and for added safety check the tightness of all screws every 2 months.

For proper care and treatment, please check our website at NathanJames.com/products

Safe use of this product starts with you.

Use this product responsibly with the primary concern for your safety. Follow assembly instructions carefully and inspect product upon receipt and each use.

Nathan James and its parent companies cannot be held legally responsible for any injuries or death resulted from failure to follow instructions or improper use of this product.

Do not modify the structure of this product in any way.

Our products have been tested to meet specific safety measures as they were originally intended to be sold. Any modifications will present the risk of creating significant safety issues which NJ will not be responsible for.

Proper use

- DO NOT** use for commercial purposes
- DO NOT** frolic on storage unit
- DO NOT** use storage unit as foot stool
- DO NOT** leave spilled liquid on storage unit
- DO NOT** use if damaged
- DO NOT** make temporary repairs
- DO NOT** use outdoors

We are only in business if you're happy

For starters, thanks for being you.

☎ Toll-free at 1-866-619-1004

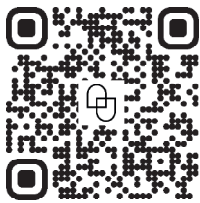
✉ Help@nathanjames.com

🌐 NathanJames.com/help

We do our best to ensure your furniture arrives without any problems, but occasionally mistakes happen—as humans we are imperfect beings. In the event that a part is damaged or missing, we will be more than happy to provide you with replacement part(s) for free.

Warranty

This product comes with a lifetime warranty from the date of purchase. Please use your phone to scan the QR code to register your product or visit <https://goo.gl/i9dk3q>



Did we do alright? Please spread the love!

If you are happy with your product, tell your friends and family about us or even better leave us a review online. Spreading the word gives us the opportunity to make more people happy and keep our prices low for your next purchase.

Brooklyn Burdon

Founder, Nathan James