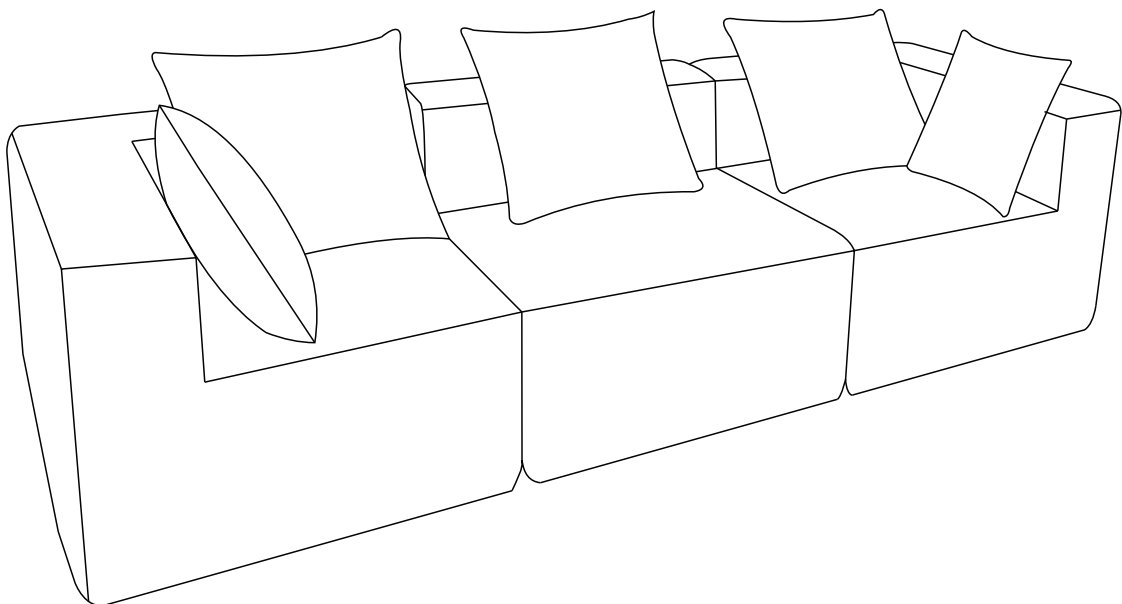
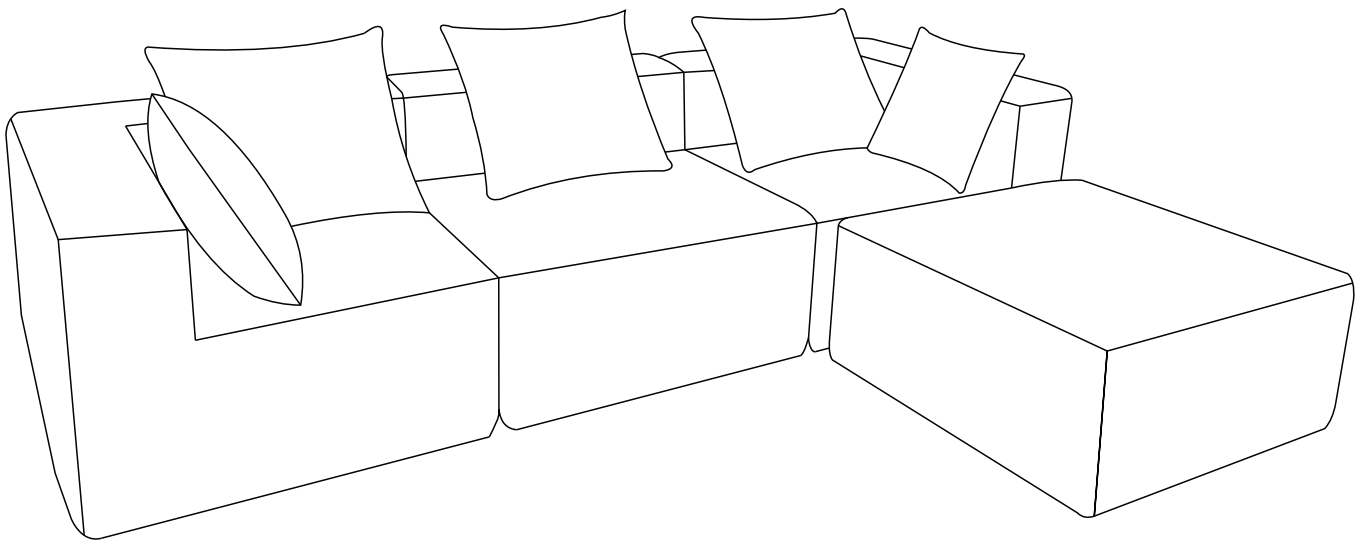


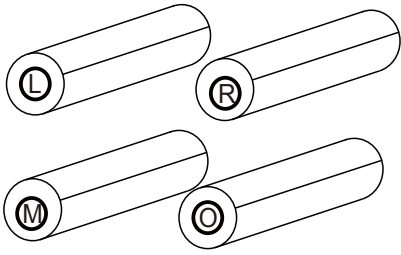
# Instruction Manual

33001



## PART LIST:

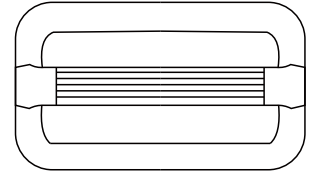
①. Compact sofa



②. Membrane-cutting knife



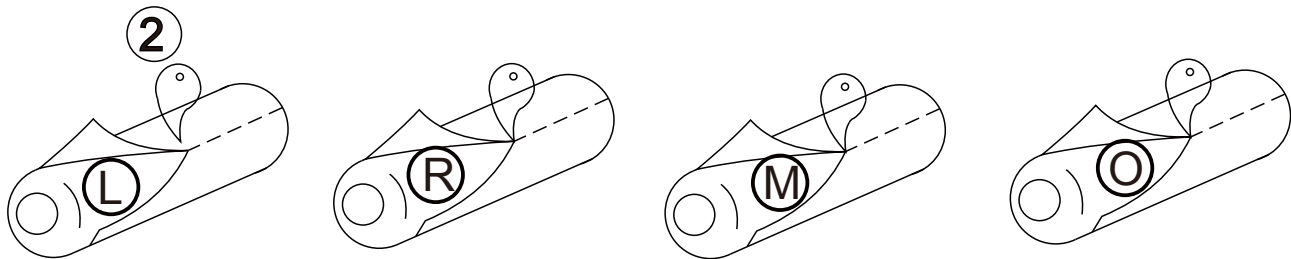
③. Link key\*4



## INSTALLATION STEPS:

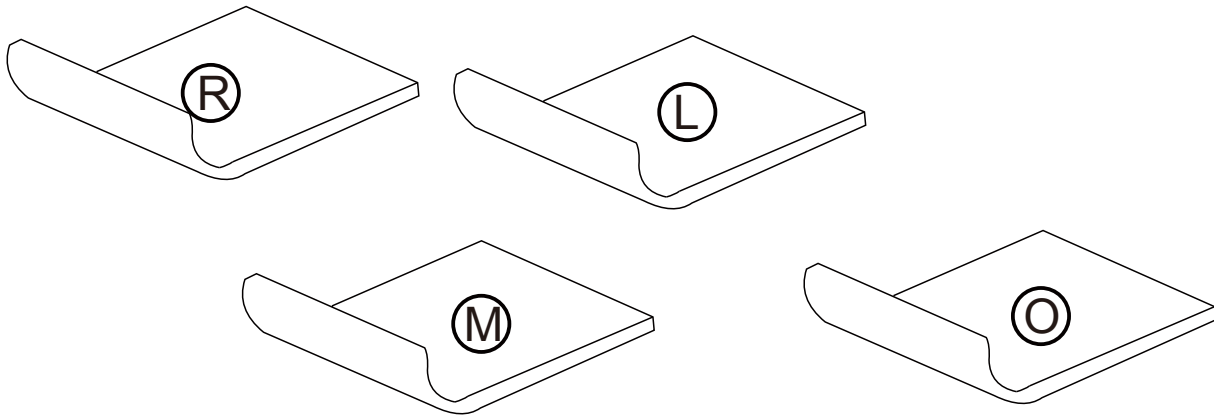
Step 1:

Use the membrane-cutting knife ② to cut through the first layer of the outer packaging film.



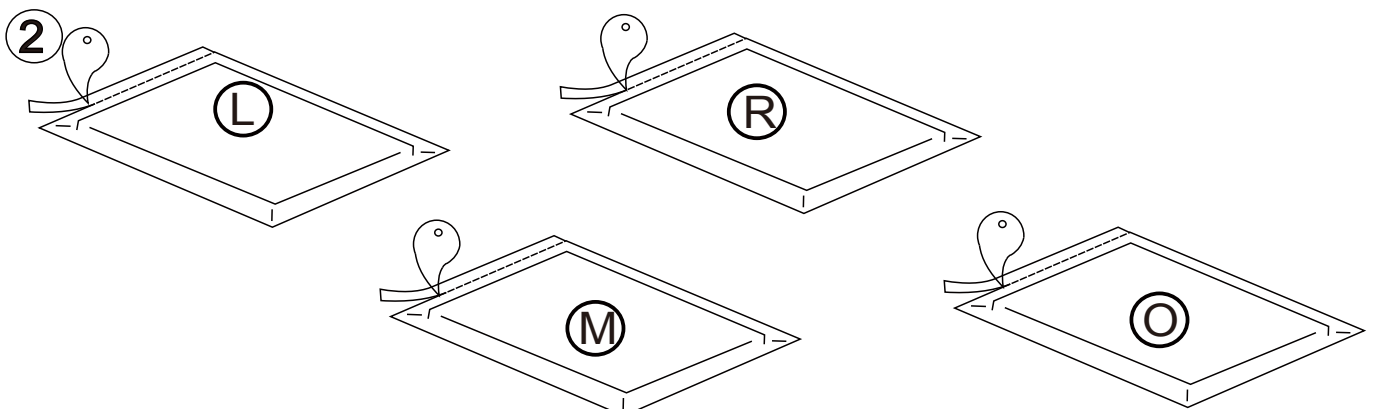
Step 2:

Lift the sofa flat and place it face up.

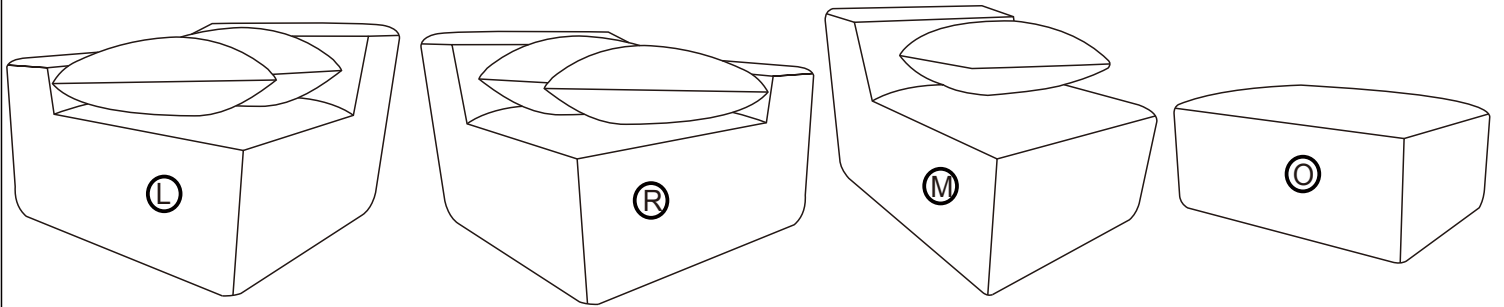


Step 3:

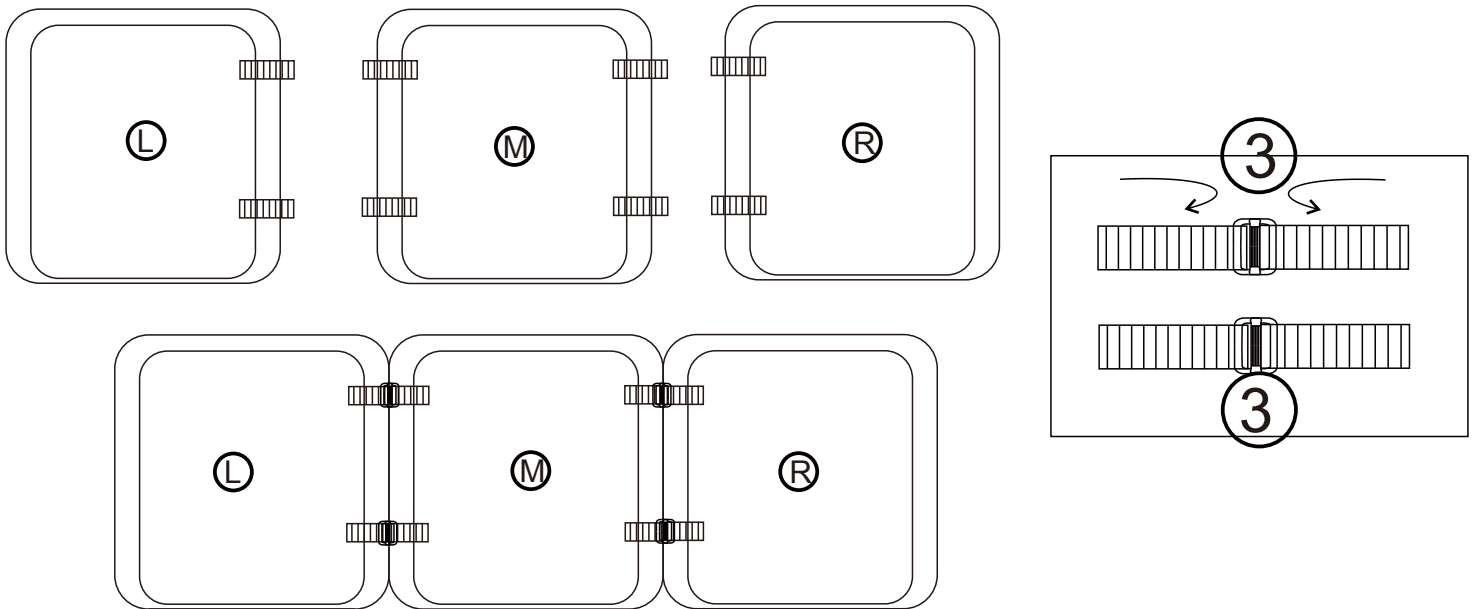
Use the membrane cutting knife ② to cut through the vacuum compression membrane



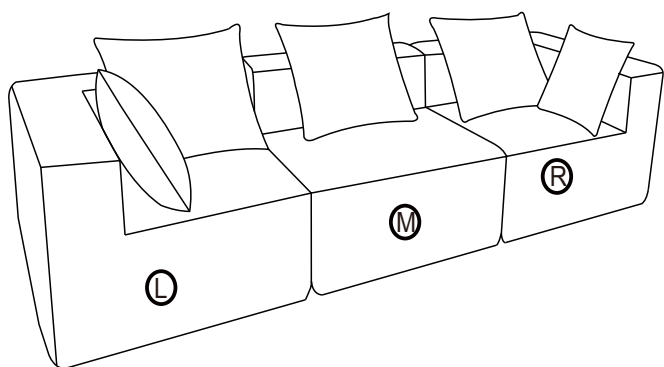
Step 4:  
Wait for the sofa to fully rebound.



Step 5:  
Use the Velcro fasteners at the bottom to connect them with the Link key ③



Three-person Position Diagram



Four-person Seating Plan

