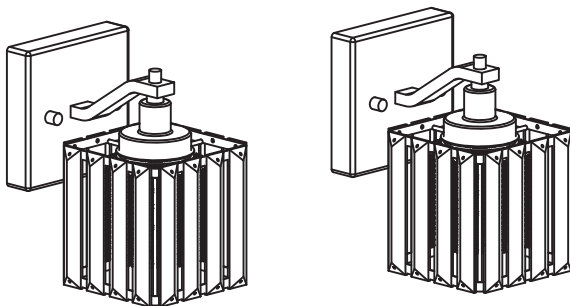


edishinē

# Vanity Light

[Instruction Manual]



Please pay attention to the warning signs  
Read the instructions with caution before operating  
and keep it properly

## Warning:

Risk of fire. Min 75°C supply conductors. Consult a qualified electrician to ensure correct installation. Before installation, please turn off the main power of the circuit breaker to prevent possible electric shock.

Part	Description	Quantity
1	Vanity Light	2pcs
2	Cross Mounting Bracket	2pcs
3	Wire Connectors	6pcs
4	Self Tapping Screw	4pcs
5	Outlet Box Screws	4pcs
6	Instruction Manual	1pc

## Installation Instructions

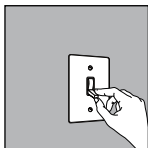


FIG.1 WALL SWITCH

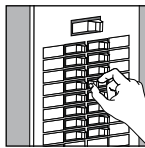


FIG.2 BREAKER PANEL

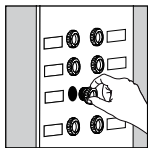


FIG.3 FUSE BOX

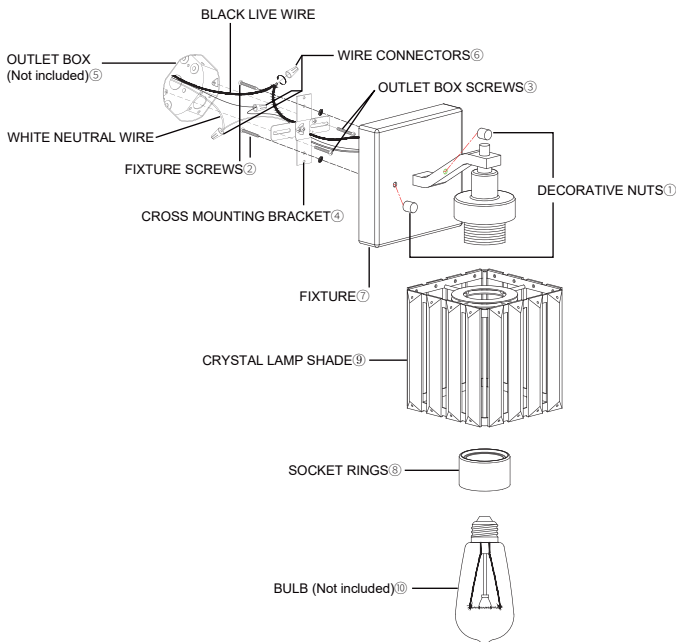
## STEP 01: POWER OFF

FIG.1. Turn the wall switch to the "OFF" position. Depending on which type of fuse box in your home;

FIG.2. Either turn the main (Master) switch to the "OFF" position to cut off the power supply of the entire home, or turn off the individual switch that supplies power to the fixture installation location.

OR

FIG.3. Either turn the main (Master) switch to the "OFF" position to cut off the power supply of the entire home, or unscrew the fuse that supplies or turn off the individual switch that supplies power to the fixture installation location.



## STEP 02: INSTALL THE MOUNTING BAR

Unscrew the DECORATIVE NUTS① from the FIXTURE SCREWS② and use OUTLET BOX SCREWS③ to connect CROSS MOUNTING BRACKET④ to OUTLET BOX(Not included)⑤.

## STEP 03: CONNECT THE WIRE

Connect the fixture wires to the internal wires from the OUTLET BOX(Not included)⑤ with the WIRE CONNECTORS⑥. Make sure that the wires are connected correctly. Black wire to live wire, white wire to neutral wire, ground wire to ground wire. Wrap the ground wire around the screw on the CROSS MOUNTING BRACKET④, then secure the screw to the CROSS MOUNTING BRACKET④.

## STEP 04: FIX THE LIGHT

Use FIXTURE SCREWS② to install FIXTURE⑦ on CROSS MOUNTING BRACKET④ and fix it with DECORATIVE NUTS①. Make sure that the FIXTURE⑦ is perfectly fixed and that the wires are not pinched between the mounting plate and the fixture. Use SOCKET RINGS⑧ to fix CRYSTAL LAMP SHADE⑨ to the FIXTURE⑦ and then install the BULB (Not included)⑩.

## Specifications

- Input Voltage: 120VAC 60Hz
- Max.load Power: incandescent Bulb 60W
- Socket Type: Standard medium E26 (Bulb not included)

## One Year Limited Warranty

Supported by our professional R&D team and QC team, we provide One Year Warranty for materials and workmanship from the purchase date. Please note that the warranty does not cover damage caused by personal misuse or improper installation.

Please attach your Order ID and Name so that our dedicated customer service team can help you better.



Made in China