





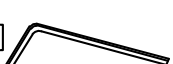
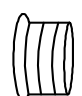
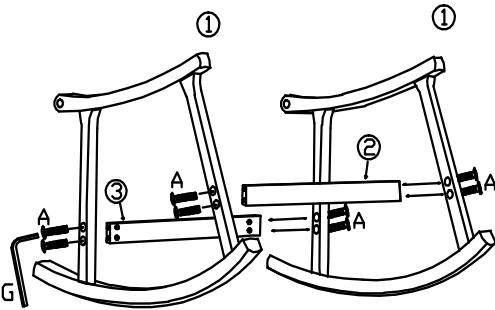


# ASSEMBLE INSTRUCTION

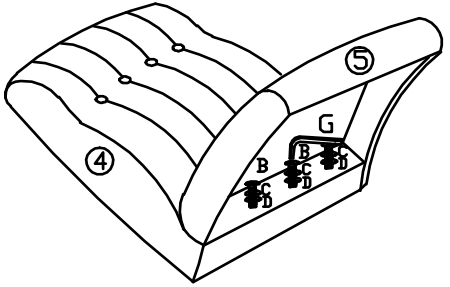
Item No.: RKYF0234

Attention: Do not tighten the screws until you have completed assembly!

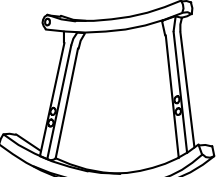
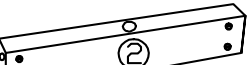

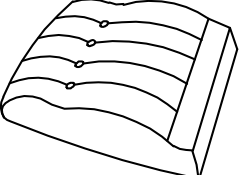
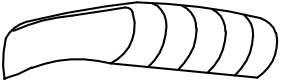
A M8*40mm  ×8	B M8*50mm  ×3
C M8  ×3	D M8*22mm  ×3
E M6*50mm  ×2	F M6*70mm  ×1
G  ×1	H M16  ×10

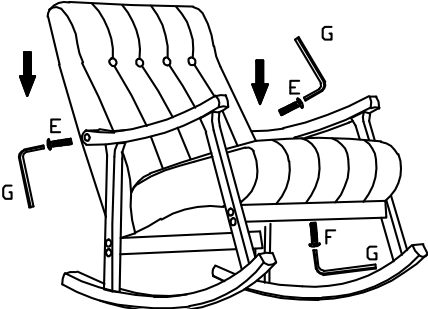


STEP 1: Use bolt A, allen key G to connect front rail and left/right armrest, please don't fasten any bolt until last step

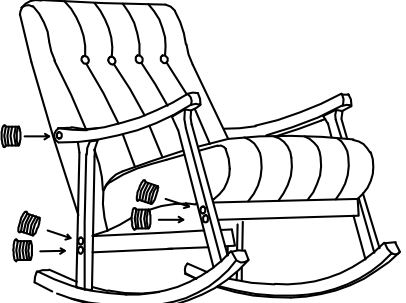


STEP 2: Use bolt B, spring washer C, flat washer D, allen key G to connect seat and back, please don't fasten any bolt until last step

 ① -2pc	 ② -1pc  ③ -1pc
 ④ -1pc	 ⑤ -1pc



STEP 3: Use bolt E/F, allen key G to connect seat/back and armrest, make sure all parts align then fasten all bolts to secure.



Step 4: Attach caps to cover the bolt holes.