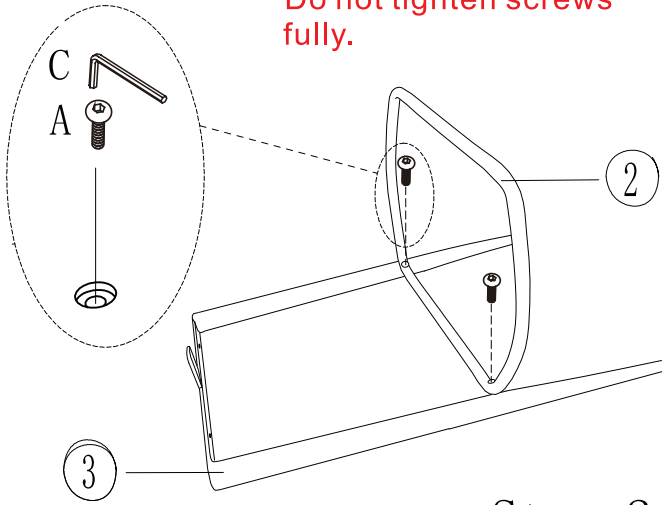


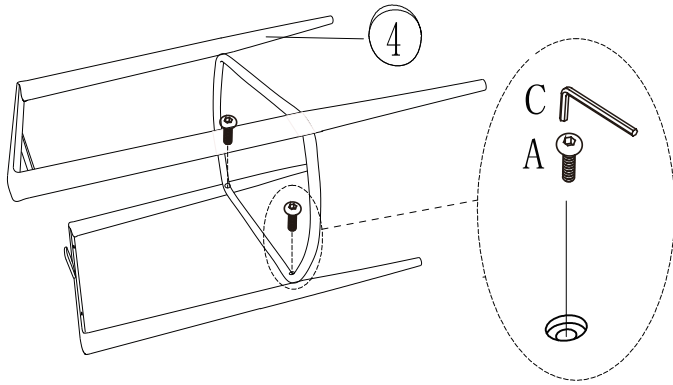
# Assembly Instructions

## Step 1





Mount seat.  
Do not tighten screws  
fully.






## Step 2

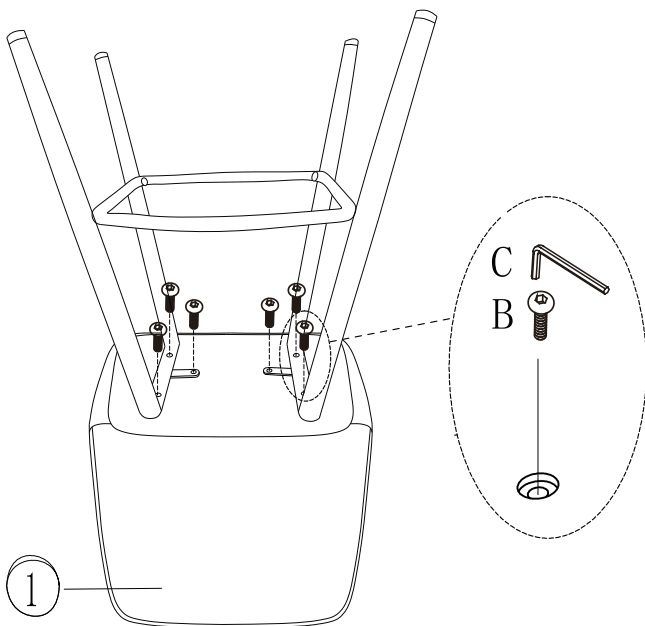


## PART LIST

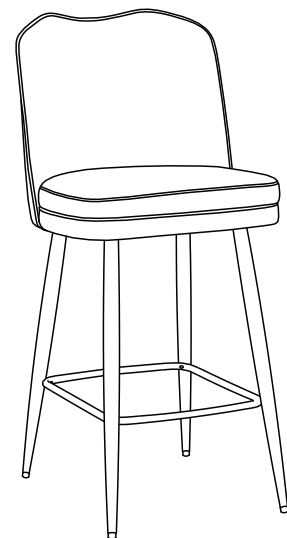
| NO. | DESCRIPTION  | QTY  |
|-----|--|------|
| 1   | Back      | 1PC  |
| 2   | Footring  | 1PC  |
| 3   | Base      | 1PCS |
| 4   | Base      | 1PCS |

| ITEM | PART NAME   | QTY   |
|------|---|-------|
| A    | M6 x 25mm JCBC BOLT  | 4 PCS |
| B    | M6 x 20mm JCBC BOLT  | 6 PCS |
| C    | 5mm ALLEN WRENCH    | 1 PCS |
|      |   |       |
|      |   |       |

## Step 3



## Step 4



Fully tighten all of the screws on this step

Complete