

# **Metal Bar Table**

**Assembly & Care instructions**



**SKU: P25034-D2**

Please read & retain for future reference

## CATALOGS

CARE & INSTRUCTIONS.....	2
PARTS LIST.....	3
SCREW SET LIST.....	4
EXTRA .....	4
SPECIFICATIONS.....	5
INSTALLATION STEPS.....	6

## Care & Instructions

### Care & Instructions

Thank you for ordering this Metal Bar Table. Here are some suggestions that may help you:

1. This set of Metal Bar Table comes one per box.
2. If any parts are damaged or lost, please read this instruction carefully (refer to the parts list on page. 3 and page 4), please feel free to contact us. We will send you a replacement immediately.
3. We hope you can like our products, if you have any other questions, please contact us.




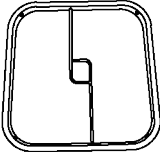
How to contact us:

**Email:**[service@alaulm.com](mailto:service@alaulm.com)

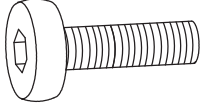
**Web:**[www.alaulm.com](http://www.alaulm.com)



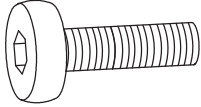
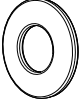
# PARTS LIST

PARTS LIST			
Part	Description	Part Name	Qty
L011		Bar Table Top	1
L012		Bar Table Leg	4
L013		Bar Table Legs Top Frame Connection	1
L014		Bar Table Legs Bottom Frame Connection	1

## SCREW SET LIST

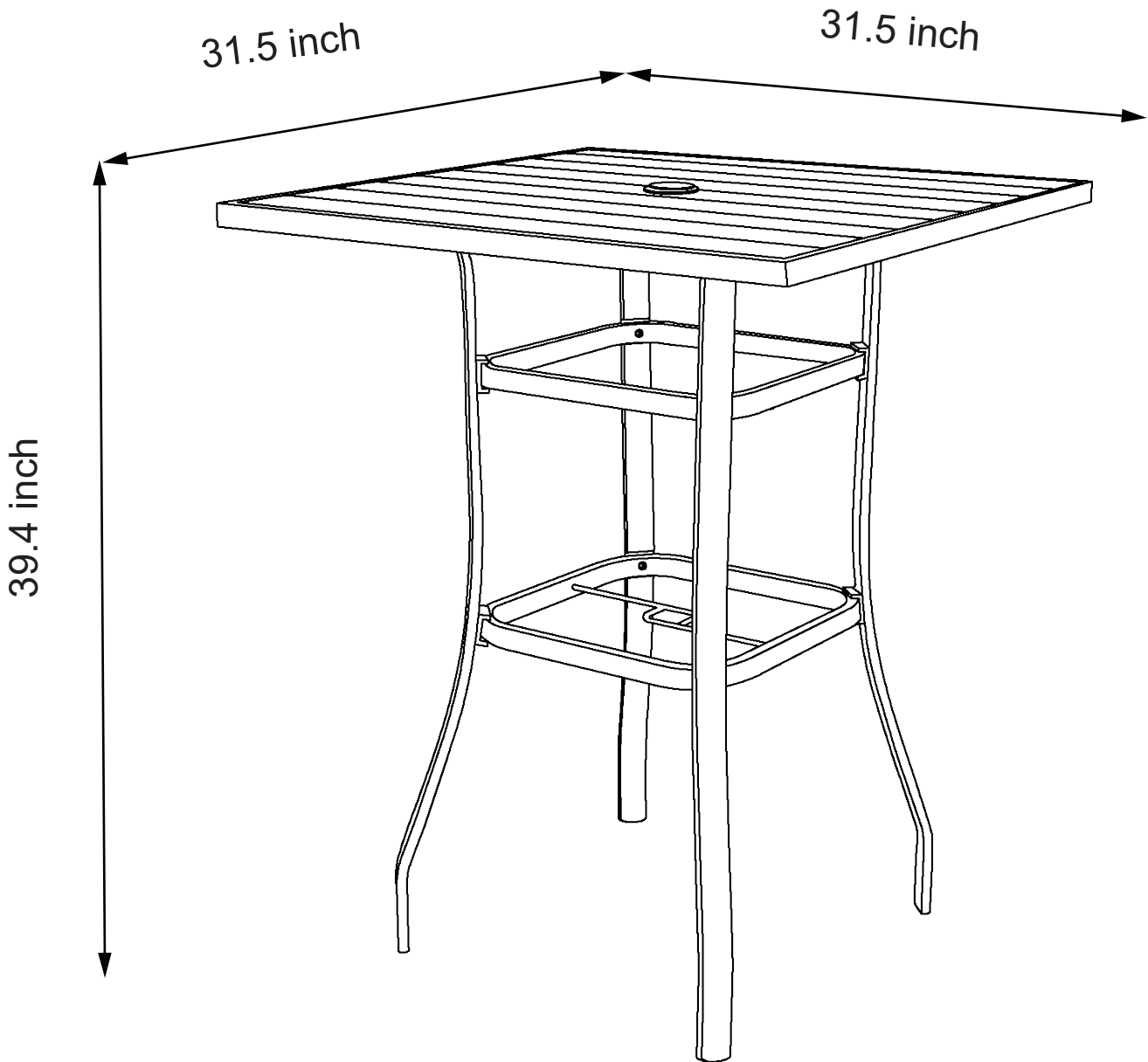
SCREW SET LIST			
Part	Description	Part Name	Qty
A		Bolt M6 × 25	16 PCS
B		M6 Gaskets	16 PCS
D		Allen Wrench M6	1 PC

## EXTRA

EXTRA			
Part	Description	Part Name	Qty
A		Bolt M6 × 25	2 PCS
B		M6 Gaskets	2 PCS

**WARNING:** Failure to locate parts in accordance with these diagrams, or failure to use special parts provided with this equipment, may result in property damage or personal injury.

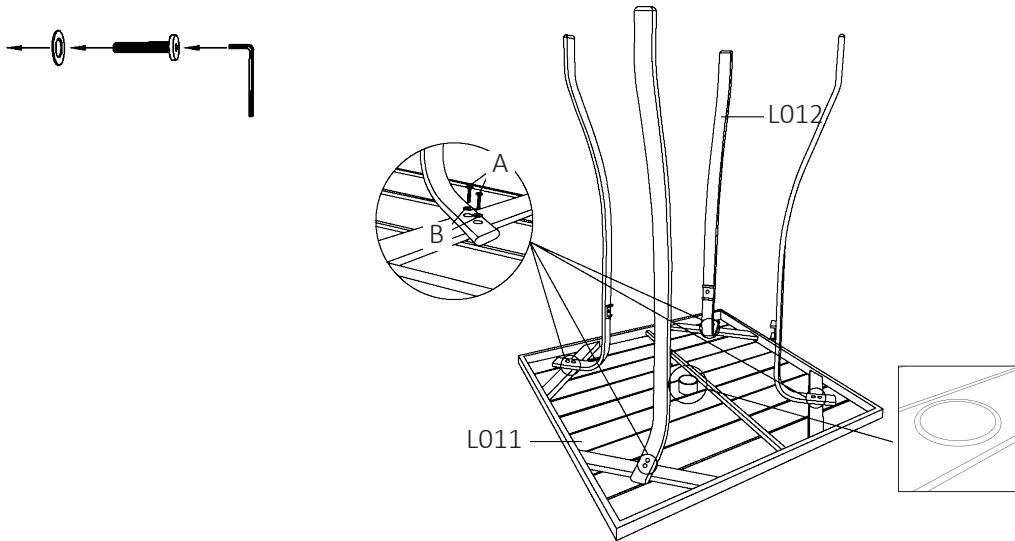
# SPECIFICATIONS



## Step 1

Secure the Bar Table Legs(L012) to the Bar Table Top(L011) with screws(A).

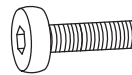
**Note: Do not tighten the Bolt.**



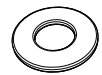
L011x1



L012x4



Ax8

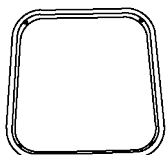
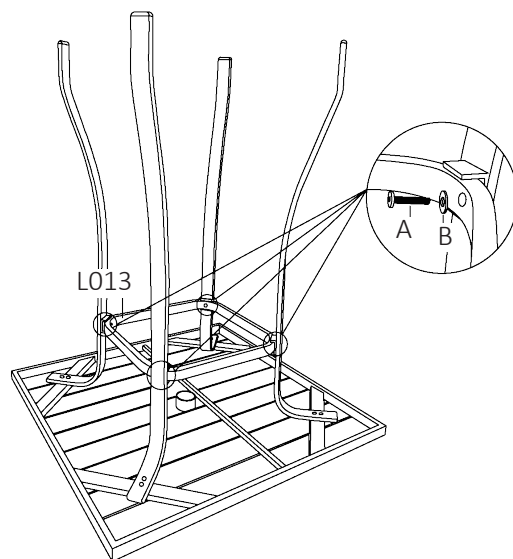


Bx8

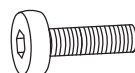
## Step 2

Secure the Bar Table Legs Top Frame Connection(L013) to the Bar Table Legs(L012) with screws(A).

**Note: Do not tighten the Bolt.**



L013x1



Ax4

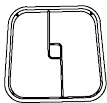
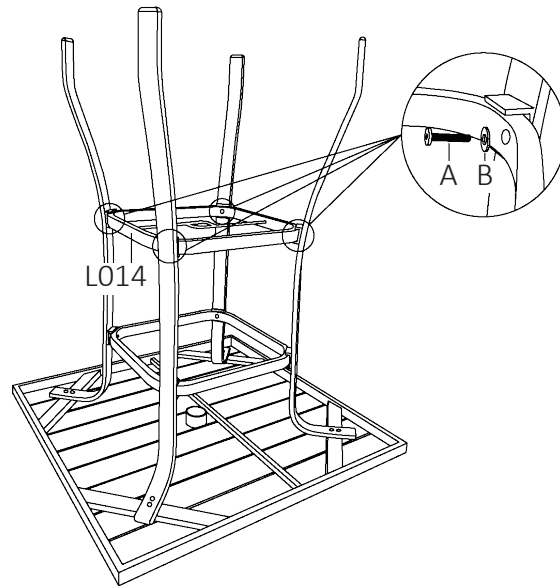


Bx4

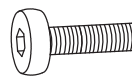
## Step 3

Secure the Bar Table Legs Bottom Frame Connection(L014) to the Bar Table Legs(L012) with screws(A).

**Note: Do not tighten the Bolt.**



L014x1



Ax4

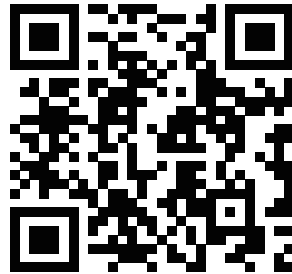


Bx4

## Step 4

Tighten all screws.





**[www.alaulm.com](http://www.alaulm.com)**

Make Your Life Much Better.