

## NOTICE

- \* Please make sure that you have all parts indicated and they are in good condition before you begin assembly of this item. Refer to part list and hardware list below for guidance.
- \* This item should be assembled on a soft surface to prevent scratching the finish during assembly.
- \* This item may require periodic tightening.
- \* If you are having difficulty, our friendly Customer Care team is always here to help.


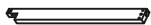
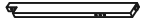
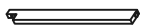
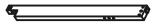



## PREPARATION

- \* Before beginning assembly of product, make sure all parts are present. Compare parts with part contents list and hardware contents list.
- \* If any part is missing or damaged, do not attempt to assemble the product.
- \* Estimated Assembly Time: 30 minutes.
- \* Tools Required for Assembly (included): Allen Key

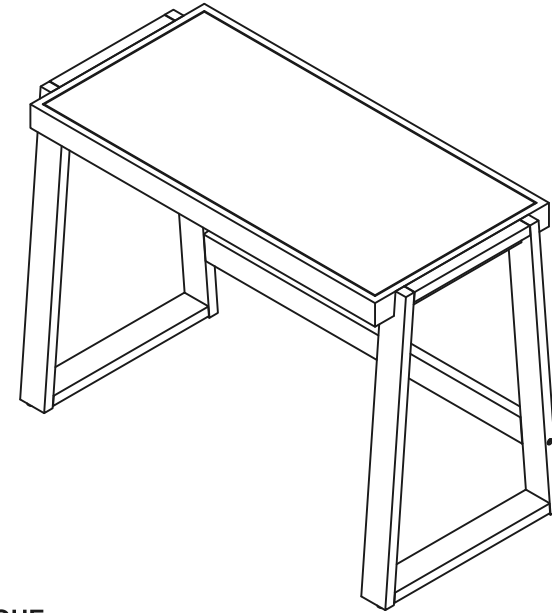
## CARE AND MAINTENANCE

Adhesive felt pads should always be applied to areas of furniture which make direct contact with flooring, said application will prevent damage to the furniture and or surfaces on which the furniture lies. Objects placed on articles of furniture should rest on non abrasive material as to prevent damage to the wood finish. Wipe up spills immediately and avoid common hazards such as hot dishes, harsh solvents and abrasives. Cleaning should be done with a soft lint free cotton cloth dampened with water or furniture polish.

## Part List and Hardware List








PIECE	DESCRIPTION	PICTURE	QUANTITY
A	TOP PANEL		1X
B	FRONT LEFT LEG		1X
C	BACK LEFT LEG		1X
D	FRONT RIGHT LEG		1X
E	BACK RIGHT LEG		1X
F	TOP SUPPORT LEG		2X
G	BOTTOM SUPPORT LEG		2X
H	STRETCHER		1X

Product Dimensions: 42"W x 20"D x 30"H



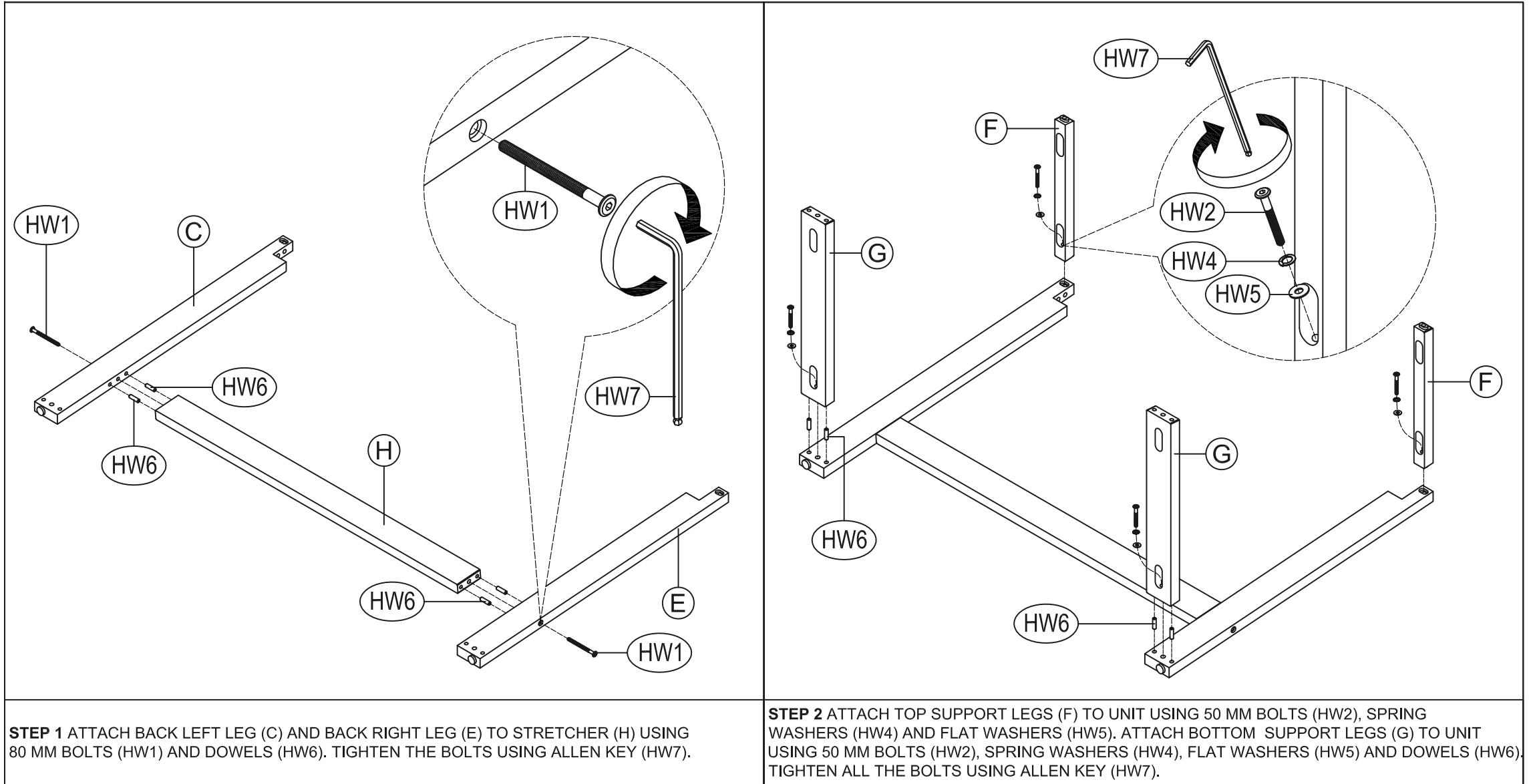
WEIGHT CAPACITY :  
TOP : 100 LBS

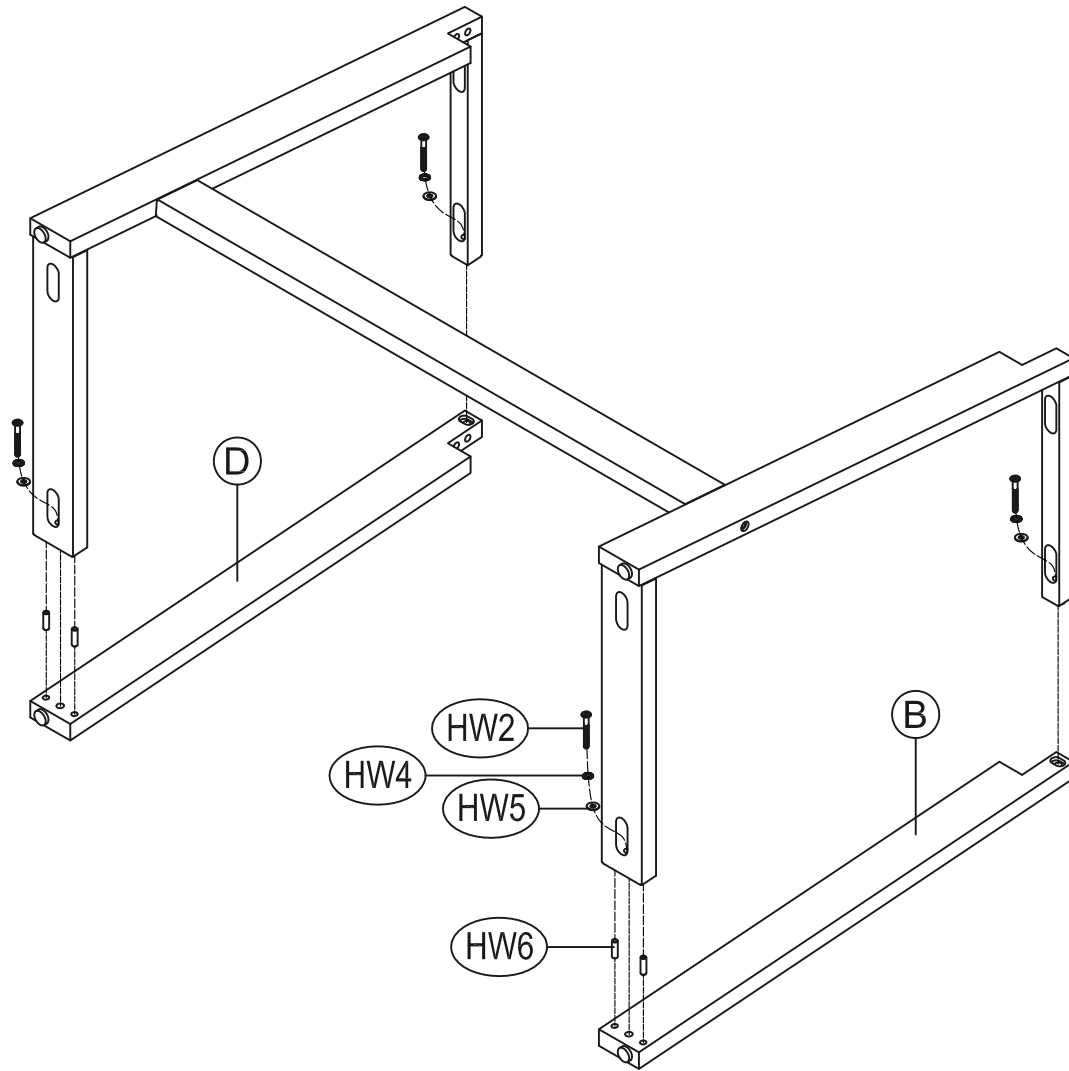
**WARNING: DO NOT OVER TORQUE  
BOLTS/SCREWS**

PIECE	DESCRIPTION	PICTURE	QTY
HW1	80 MM BOLT	M6x80mm 	2X
HW2	50 MM BOLT	M6x50mm 	8X
HW3	35 MM BOLT	M6x35mm 	8X
HW4	SPRING WASHER		16X
HW5	FLAT WASHER		16X
HW6	DOWEL	Ø 8x28mm 	12X
HW7	ALLEN KEY		1X

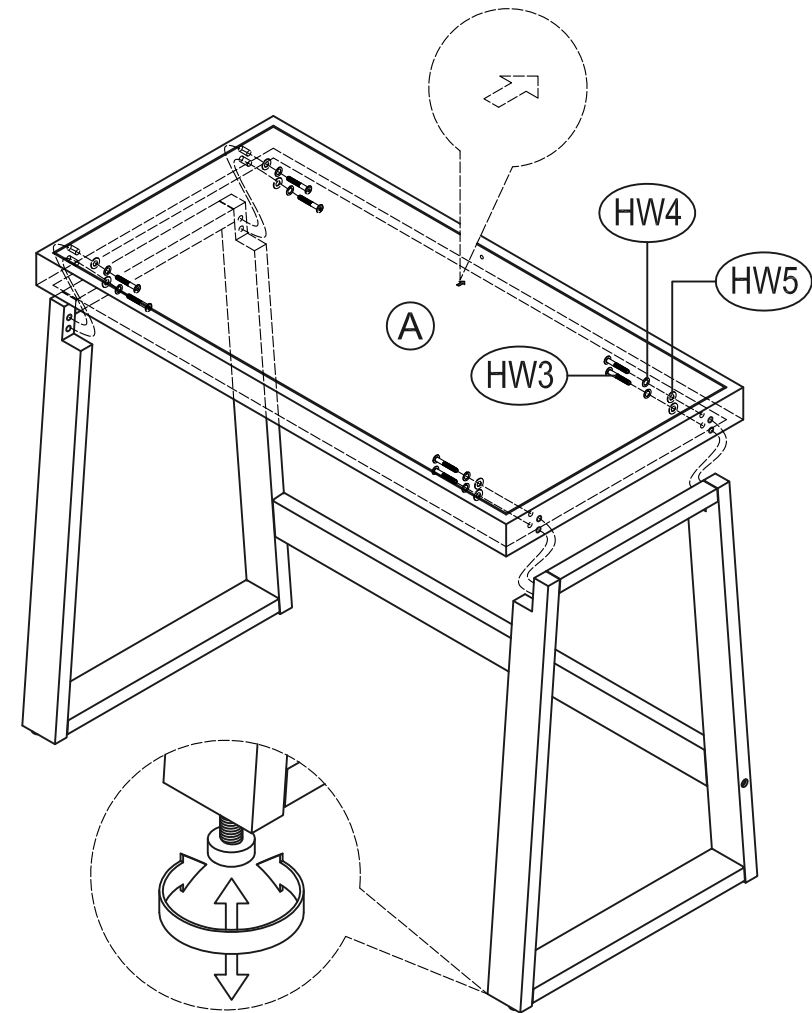
## PREPARATION

- \* Before beginning assembly of product, make sure all parts are present. Compare parts with package contents list and hardware contents list.
- \* If any part is missing or damaged, do not attempt to assemble the product.
- \* Estimated Assembly Time: 30 minutes.
- \* Tools Required for Assembly (included): Allen Key
- \* If you are having difficulty, our friendly Customer Care team is always here to help.





**STEP 3** ATTACH UNIT TO FRONT LEFT LEG (B) AND FRONT RIGHT LEG (D) USING 50 MM BOLTS (HW2), SPRING WASHERS (HW4), FLAT WASHERS (HW5) AND DOWELS (HW6). TIGHTEN THE BOLTS USING ALLEN KEY (HW7).



**STEP 4** ATTACH TOP (A) TO UNIT USING 35 MM BOLTS (HW3), SPRING WASHERS (HW4) AND FLAT WASHERS (HW5). TIGHTEN THE BOLTS USING ALLEN KEY (HW7). ADJUST THE ADJUSTER THAT HAS ALREADY BEEN ASSEMBLED TO THE LEGS TO STABILIZE YOUR UNIT.