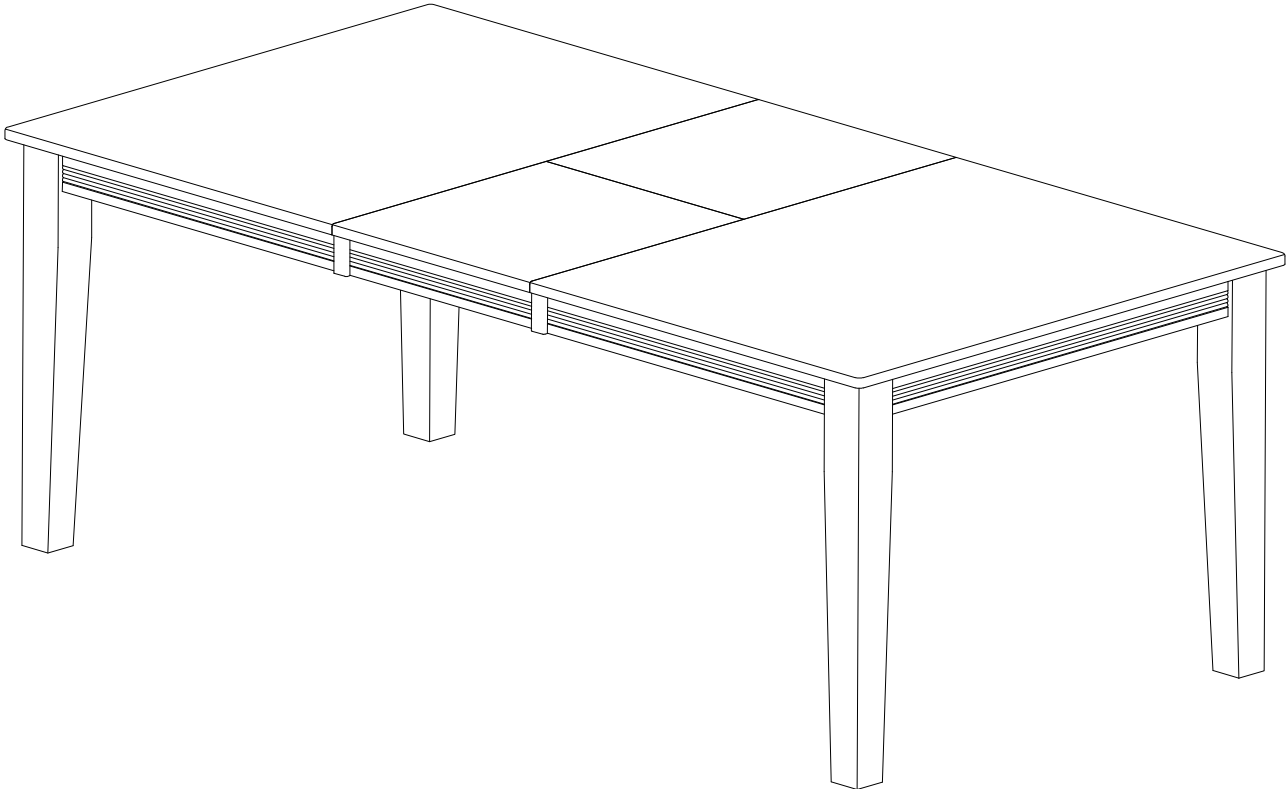


ASSEMBLY INSTRUCTIONS



Description : RECTANGULAR DINING TABLE 40"x78" :
Dimension 40"x(60"/78")x30"H
Cube size : 62.3"x42.3"x6.7"

NW : 112.2 LBS
GW : 121 LBS

RECTANGULAR DINING TABLE 40"x78"

BEFORE ASSEMBLY

Thank you for purchasing this Whitewood Industries Inc.'s quality product. This product has been designed for easy assembly and constructed for durability. Please take the time to read and follow the assembly instructions carefully.

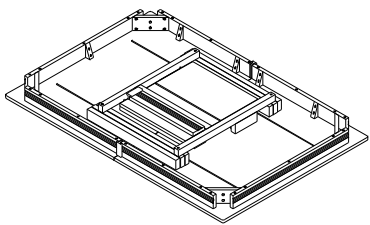
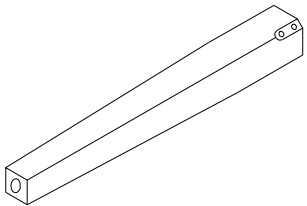
Be sure to check all packing material carefully for small parts, which may have come loose inside the carton during shipment. Please separate, identify, and count all parts and metal hardware. Compare with part list to be sure all parts are present. If hardware is missing or you have difficulty assembling this product, please call for us.

IMPORTANT NOTE:

- Place all wooden parts on a clean and smooth surface such as a rug or carpet to avoid the parts from being scratched.
- Remove all wrapping material, including staples & packing straps before you start to assemble.
- DO NOT tighten all screws, bolts until all completely assembled.
- Keep all hardware parts out of reach of children



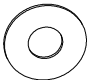
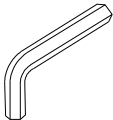
PART LIST

When unpacking, please carefully not to discard any parts with the packaging. Before continuing, please make sure you have all of the following parts:

NO	Description	Qty	Sketch	NO	Description	Qty	Sketch
A	Top	1		B	Leg	4	

HARDWARE LIST

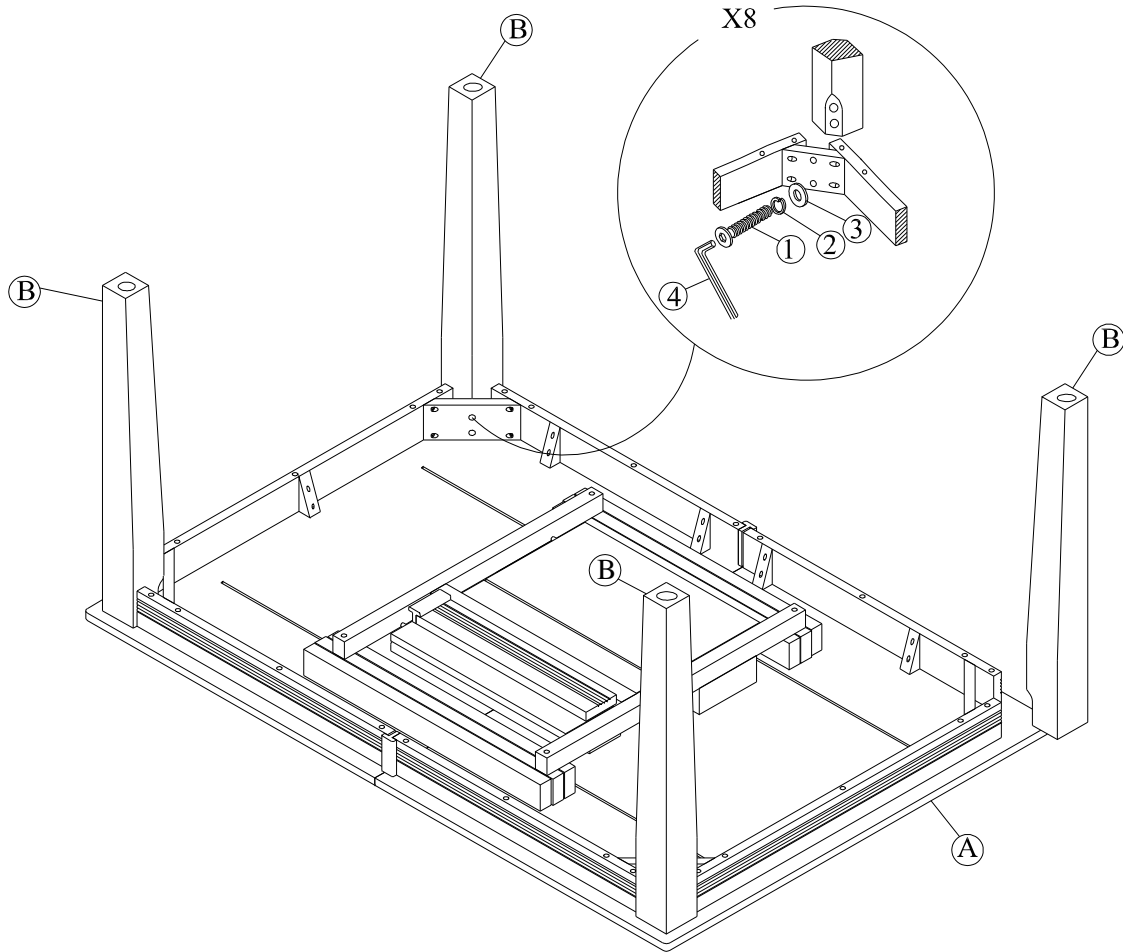
When unpacking, please carefully not to discard any parts with the packaging. Before continuing, please make sure you have all of the following hardware:

NO	Description	Qty	Sketch	NO	Description	Qty	Sketch
1	Bolt (M8x70mm)	8		2	Lock washer (Φ8.5xΦ13mm)	8	
3	Flat washer (Φ8.5xΦ19mm)	8		4	Allen key (4mm)	1	

RECTANGULAR DINING TABLE 40"x78"

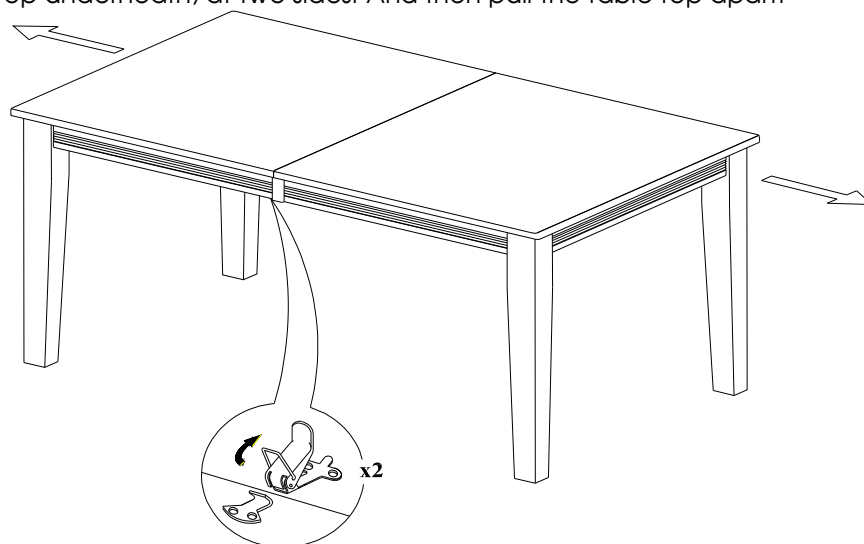
STEP 1

Place legs (B) in position as shown below. Use bolts (1) and washers (2),(3) to attach legs, tighten with the Allen key (4).



STEP 2

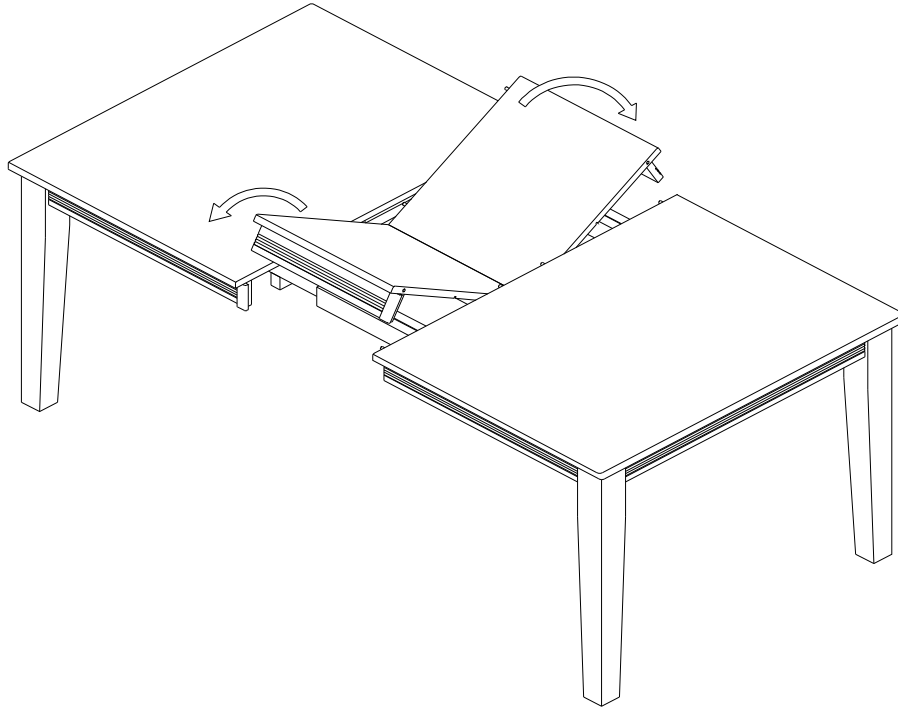
Unlock the table top underneath, at two sides. And then pull the table top apart.



RECTANGULAR DINING TABLE 40"x78"

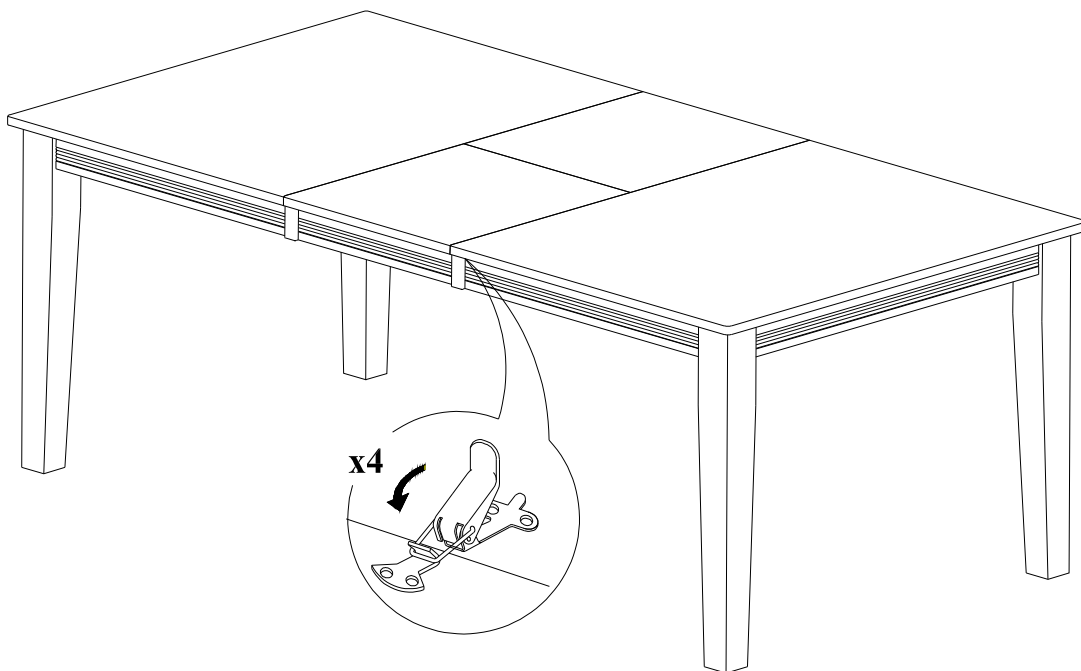
STEP 3

Place the leaf in the center of the open table top. Push the table top closed.



STEP 4

Lock the mechanism underneath 2 sides of the table top as shown below.



RECTANGULAR DINING TABLE 40"x78"