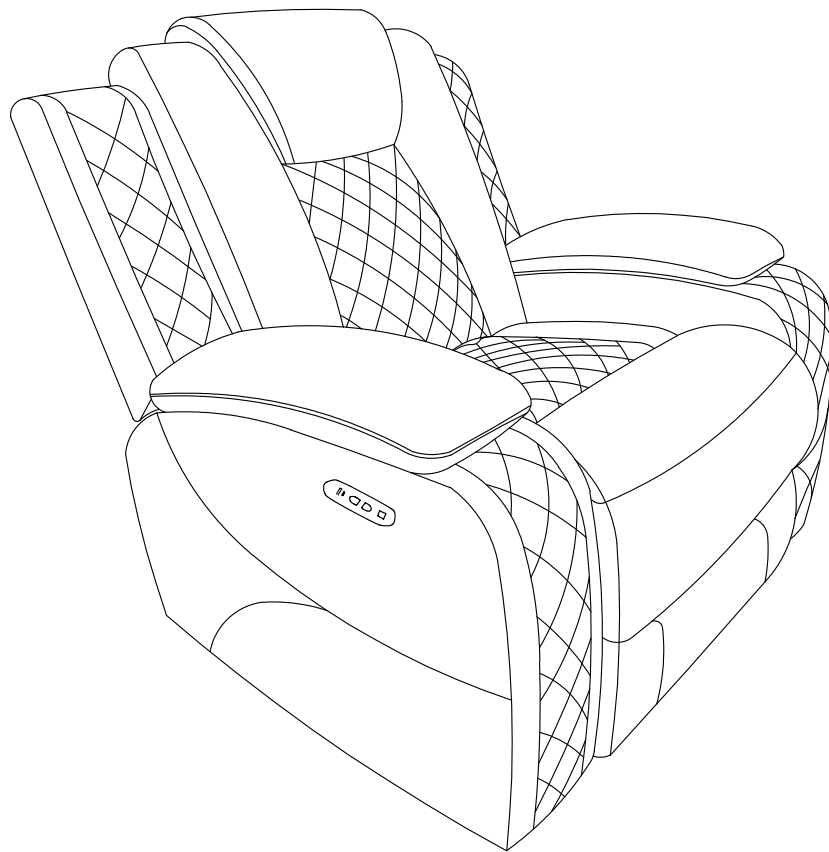


ASSEMBLY INSTRUCTIONS








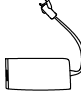
ASSEMBLY TIPS:

1. Remove hardware from box and sort by size.
2. Please check to see that all hardware and parts are present prior to start of assembly.
3. Please follow attached instructions in the same sequence as numbered to assure fast & easy assembly.



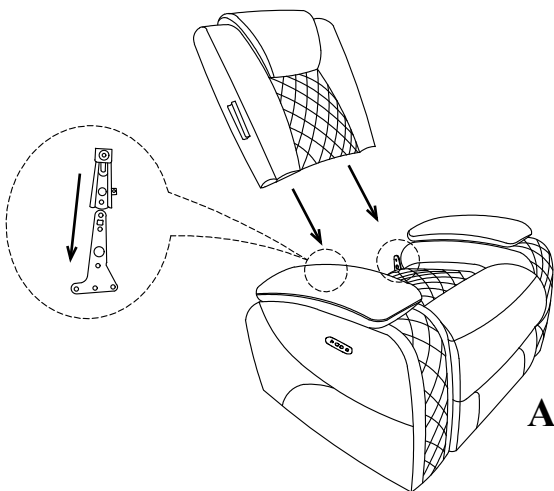
WARNING!

1. Don't attempt to repair or modify parts that are broken or defective. Please contact the store immediately.
2. This product is for home use only and not intended for commercial establishments.

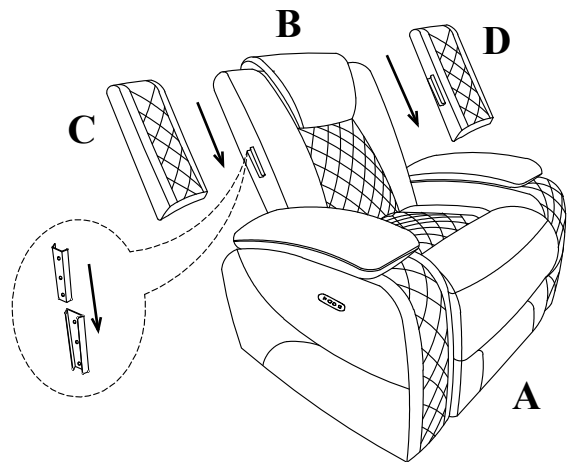
A	SEAT BASE		1PC	B	BACKREST		1PC
C	LEFT WING		1PC	D	RIGHT WING		1PC
E	Power cord		1PC	F	Transformer		1PC

STEP 1:

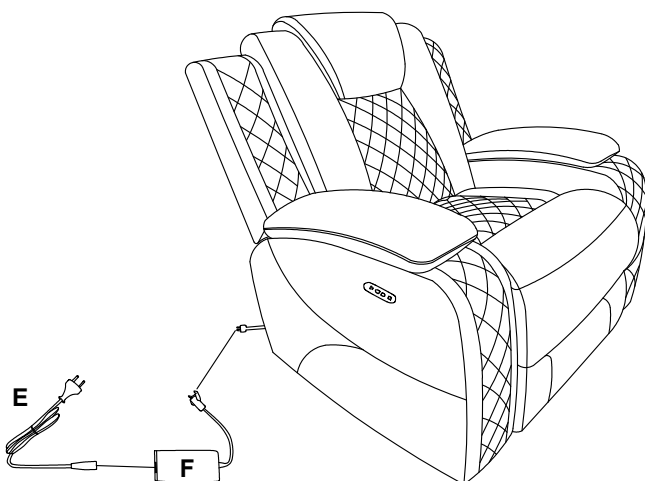
B



STEP 2:



STEP 3:



STEP 4:

COMPLETE

