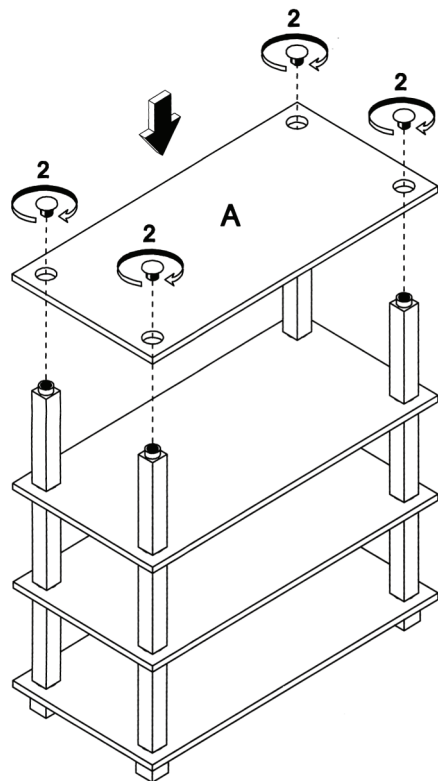
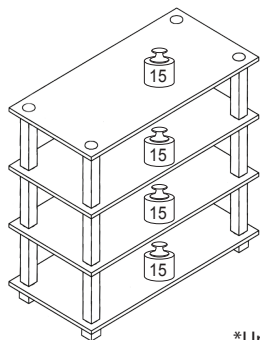


STEP 2

Tighten Top Cap (2) to Panel (A), as shown.



Recommended Maximum Weight



*Unit in Pound(lbs)

WARNING:

>This unit has been designed to support the maximum loads shown. Exceeding these load limits could cause sagging, instability, product collapse, and/or serious injury.

>DO NOT allow children to climb on unit.

>Put heavier items on lower shelves.



Assembly Instruction

Furinno Turn-S-Tube 4-Tier Shoe Rack

MODEL : **13081**

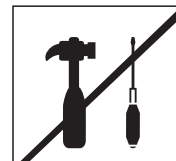
DIMENSION : 23.6"(W) x 22.3"(H) x 11.6"(D)

00:10

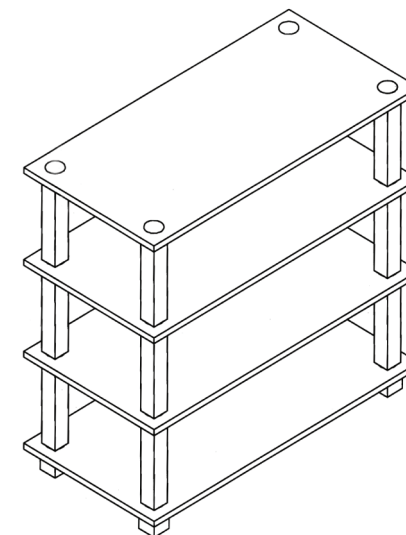
Approx. 10 minutes



Recomm. 1 Person



No Tools Required



Customer Service

Tel/Fax: 281.500.9372

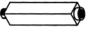


Toll Free: 773.299.8111 (Mon - Fri 9am - 5pm)


Email: support@furinno.com

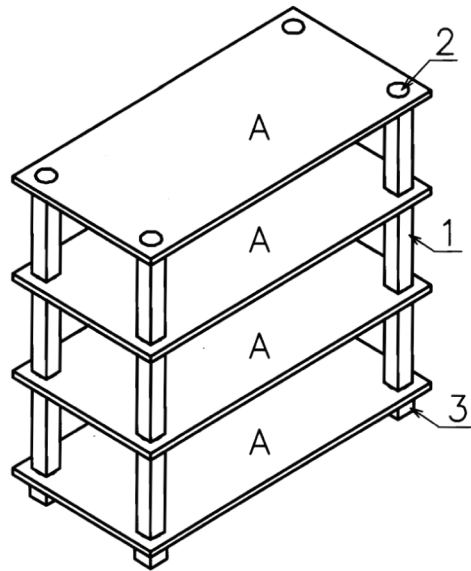
www.furinno.com

Find us on
f Facebook

Pinterest

No	Hardware List	Qty
1	Square Pole 	12pcs
2	Top Cap 	4pcs
3	Square Leg 	4pcs

No	Parts List	Qty
A	Shelf Panel 	4pcs



USEFUL HINTS BEFORE YOU START:

1. Read each step carefully before starting.
2. It is important that each step is performed in correct order to avoid difficulties.
3. Identify, sort and count the parts before assembly.
4. Assemble your furniture on packaging cardboard to prevent scratch or damage.
5. Clean the product with mild cleanser using soft damped cloth. Do not use harsh or abrasive cleanser.
6. Using incompatible hardware might cause damage to product.

STEP 1

Tighten Square Pole(1) & Square Leg(3) to Panel (A), as shown.

