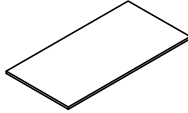
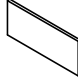
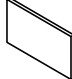

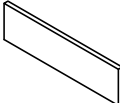
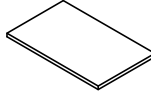

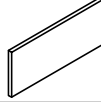
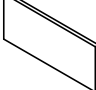
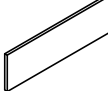
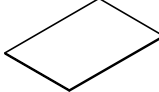
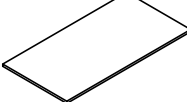
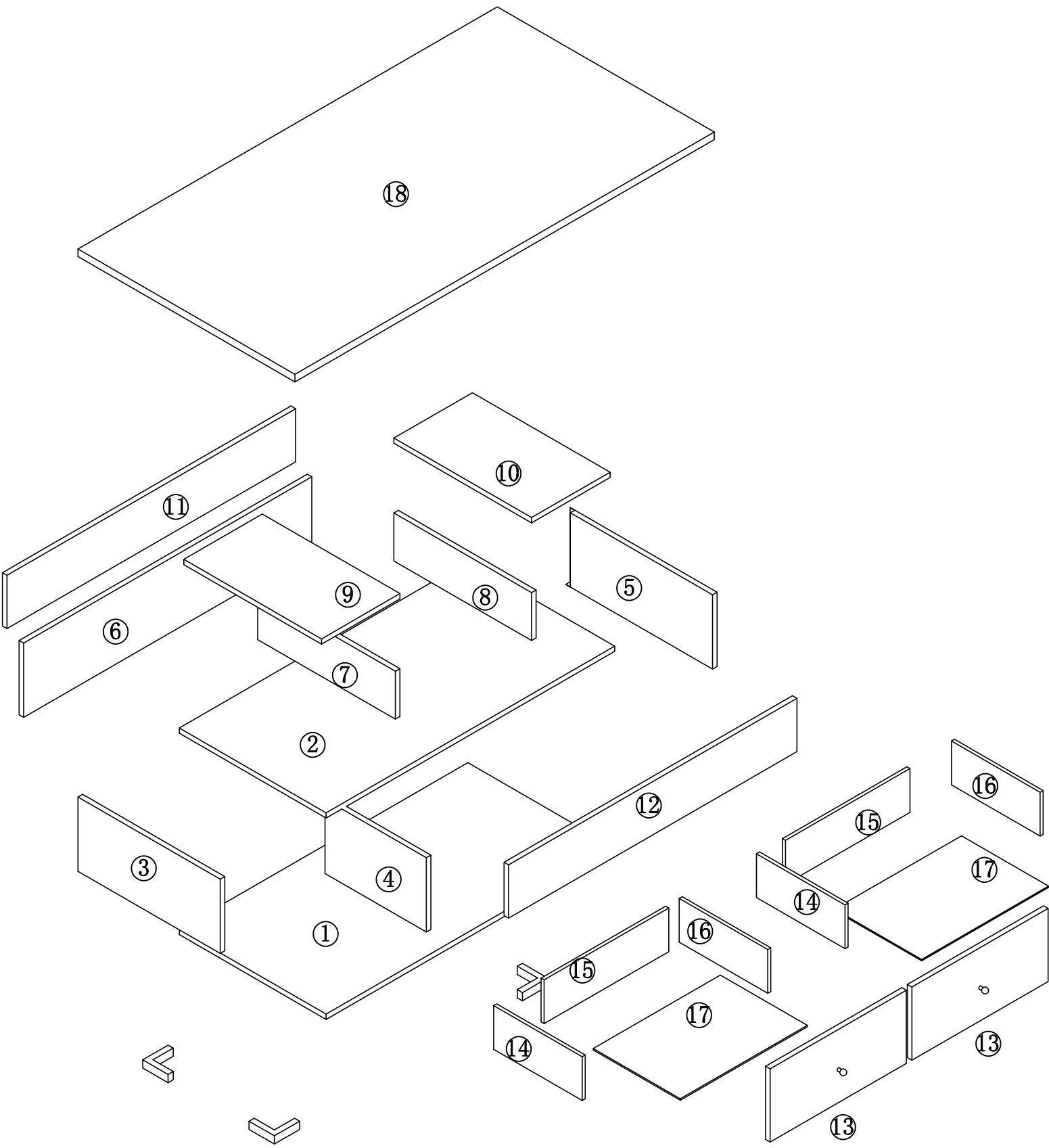


# ASSEMBLY INSTRUCTION



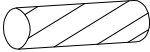





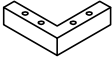
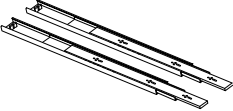

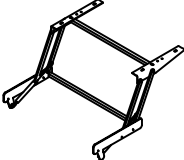
Thank you for purchasing the quality product. Be sure to check all packing material carefully for small parts which may have come loose inside the carton during shipment. Separate, Identify and count all parts and metal hardware. Compare with all parts listed to be sure all parts are present. If any part(s) are missing or damaged, please contact your local furniture dealer. For efficient and speedy service, please indicate the model number and code letter of part(s) needed.

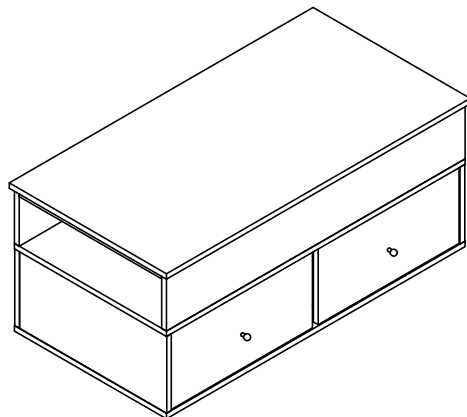
\*\*Do not fully tighten screws until fully assembled\*\*

COMPONENT PARTS			
DESCRIPTION	PART NAME		QTY (PCS)
①/②	1140*580*16mm		2
③/⑤	562*254*16mm		2
④	400*254*16mm		1
⑥	1138*254*16mm		1
⑦/⑧	546*164*16mm		2
⑨/⑩	546*310*16mm		2
⑪/⑫	1140*182*16mm		2
⑬	541*250*16mm		1
⑭/⑯	350*150*12mm		4
⑰	495*150*12mm		2
⑱	505*344*5mm		2
⑲	1160*600*18mm		1



# HARDWARE REQUIRED

Ⓐ		L=42mm	52pcs
Ⓑ		∅15*13.5	52pcs
Ⓒ		∅8*30	40pcs
Ⓓ		/	8pcs
Ⓔ		M4*30	24pcs
Ⓕ		M3*12	16pcs
Ⓖ		M4*16	10pcs
Ⓘ		/	2pcs
Ⓙ		/	4pcs
Ⓚ		300mm	2pa
Ⓜ		M4*16	4PCS
Ⓝ		/	1PCS



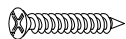
## Attention

\*\*\*Some number parts listed on the instruction sheet may not be in parts bag as they may be assembled. Carefully check parts and packing materials prior to ordering replacements.\*\*\*

# How to assemble :

## STEP 1

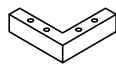
Ⓔ



M4\*30

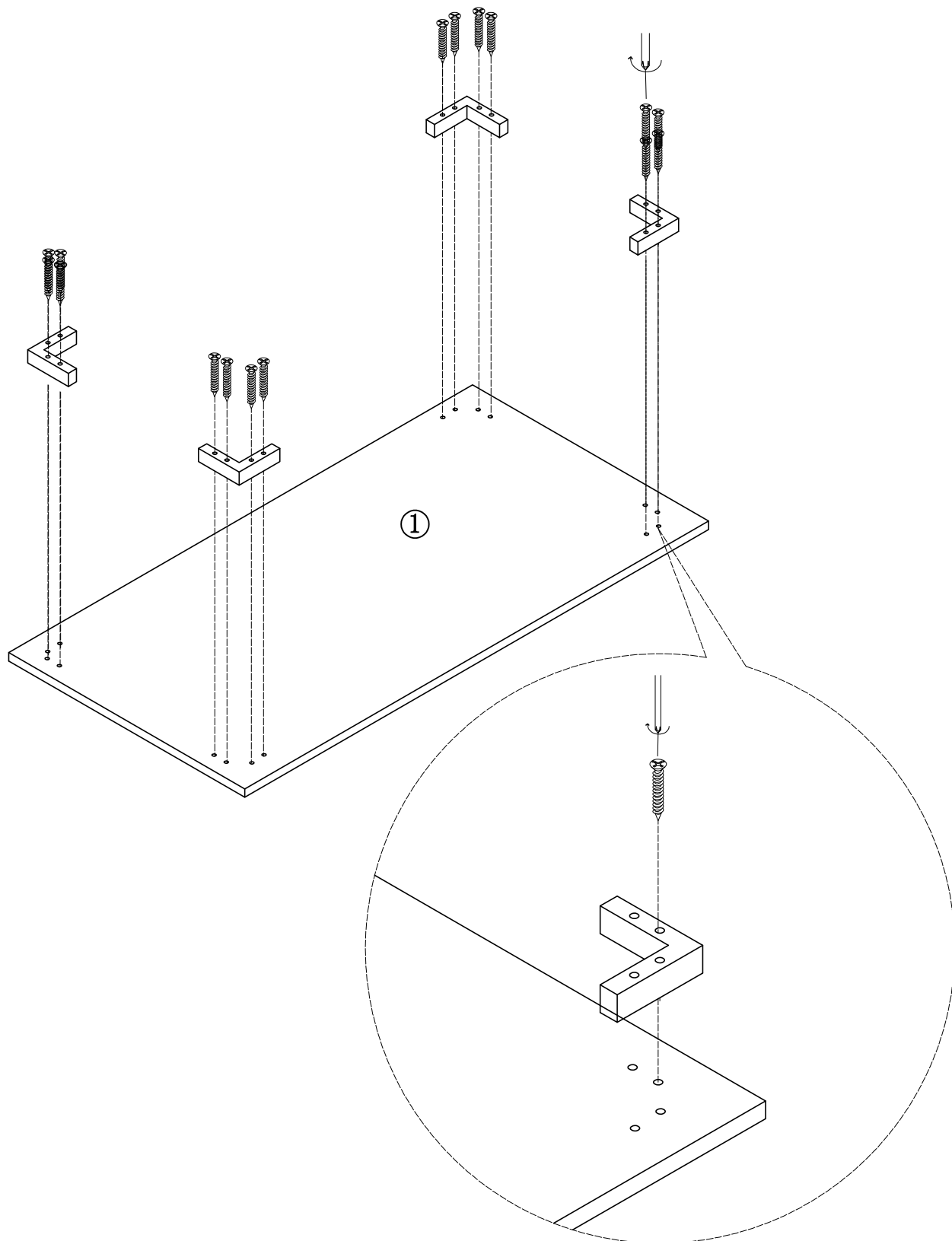
24pcs

Ⓙ



/

4pcs



# How to assemble :

## STEP 2

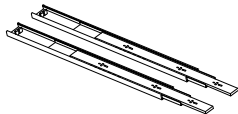
ⓕ



M3\*12

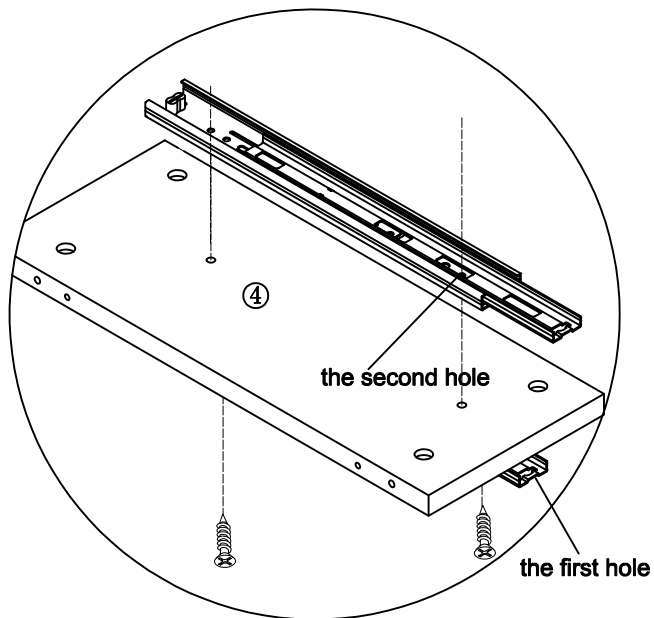
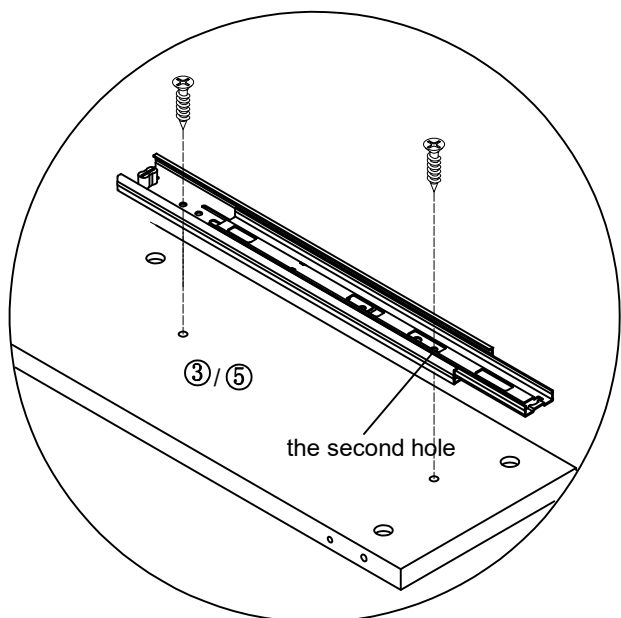
8pcs

Ⓚ



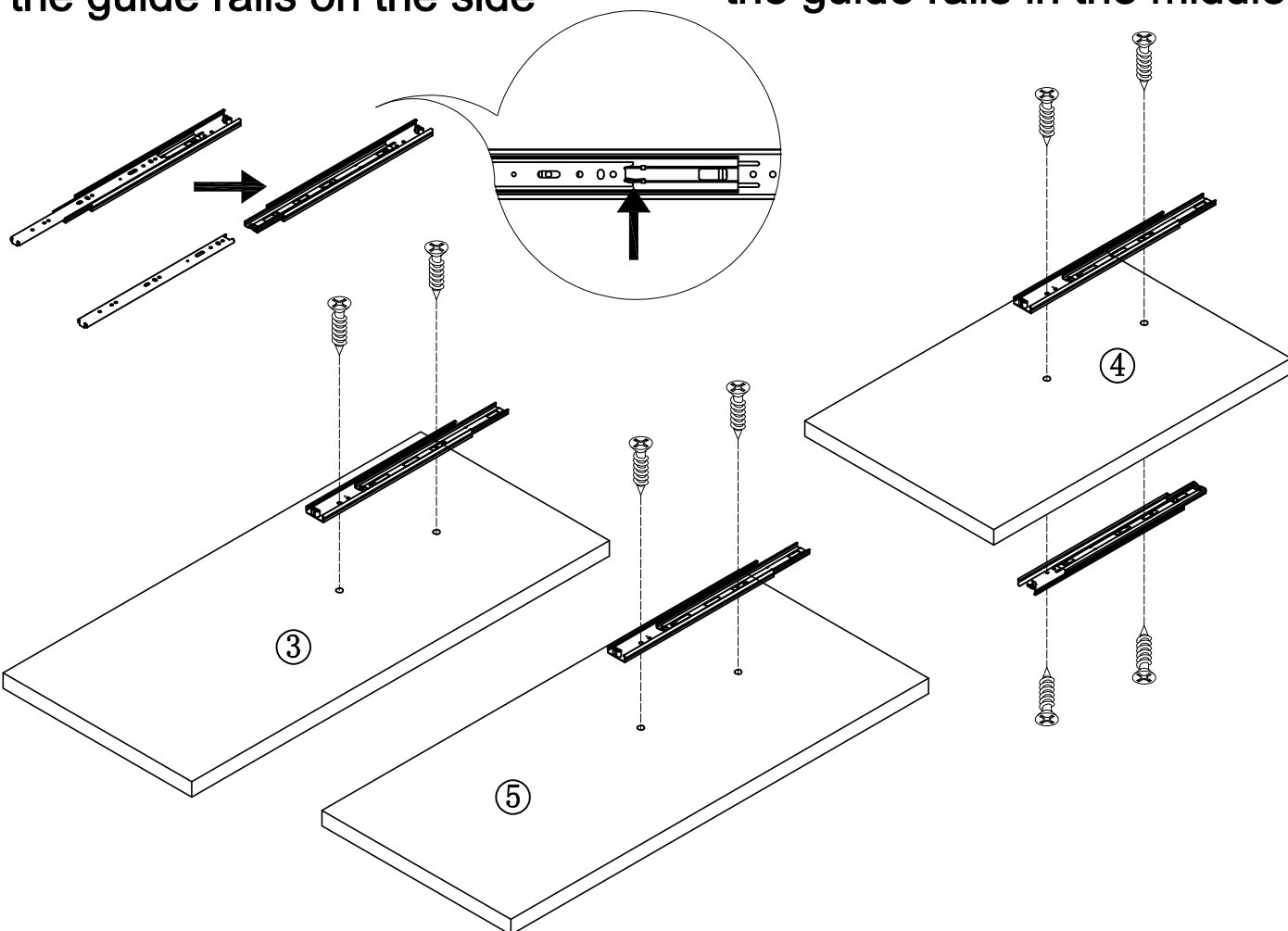
300mm

2pa



the guide rails on the side

the guide rails in the middle



# How to assemble :

## STEP 3

Ⓐ



L=42mm

4pcs

Ⓑ



φ15\*13.5

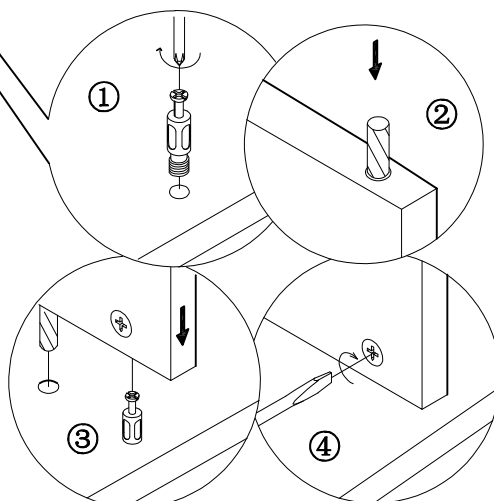
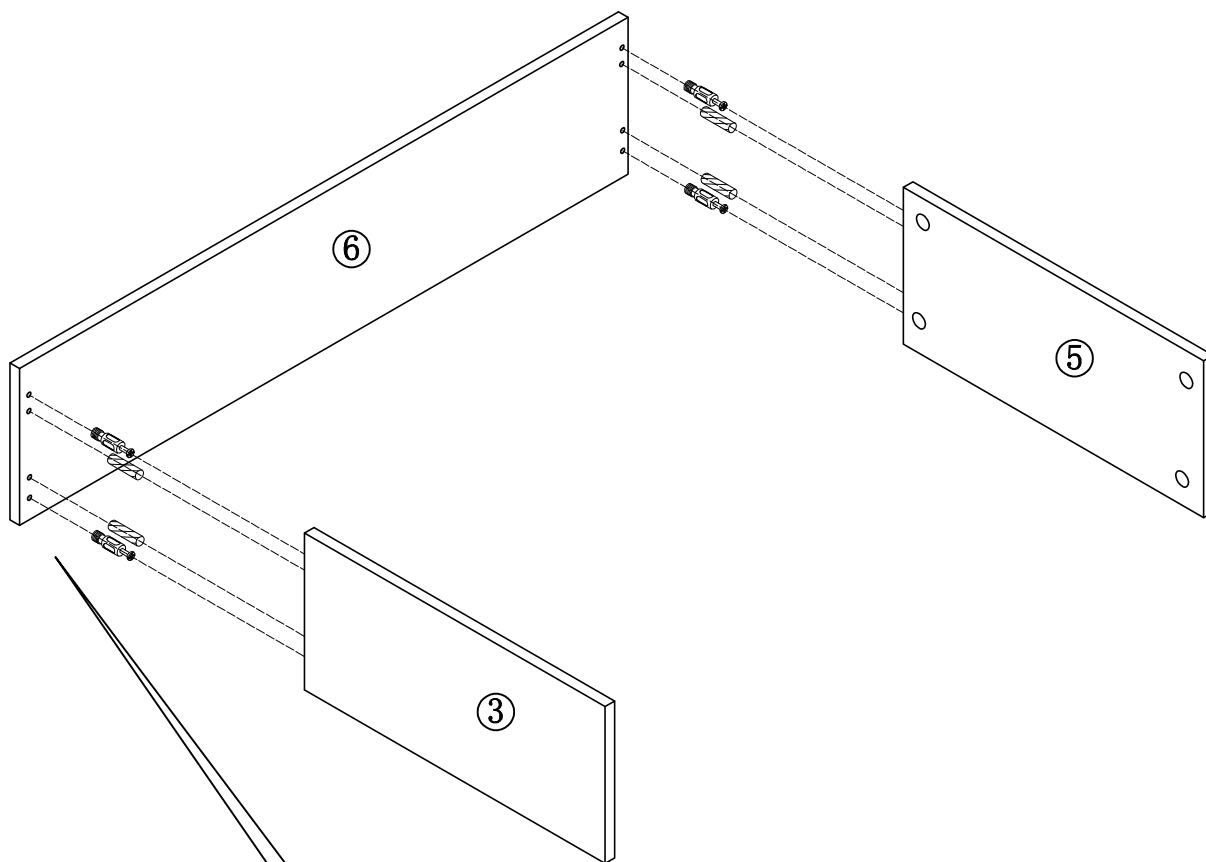
4pcs

Ⓒ



φ8\*30

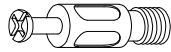
4pcs



# How to assemble :

## STEP 4

Ⓐ



L=42mm

6pcs

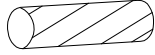
Ⓑ



∅15\*13.5

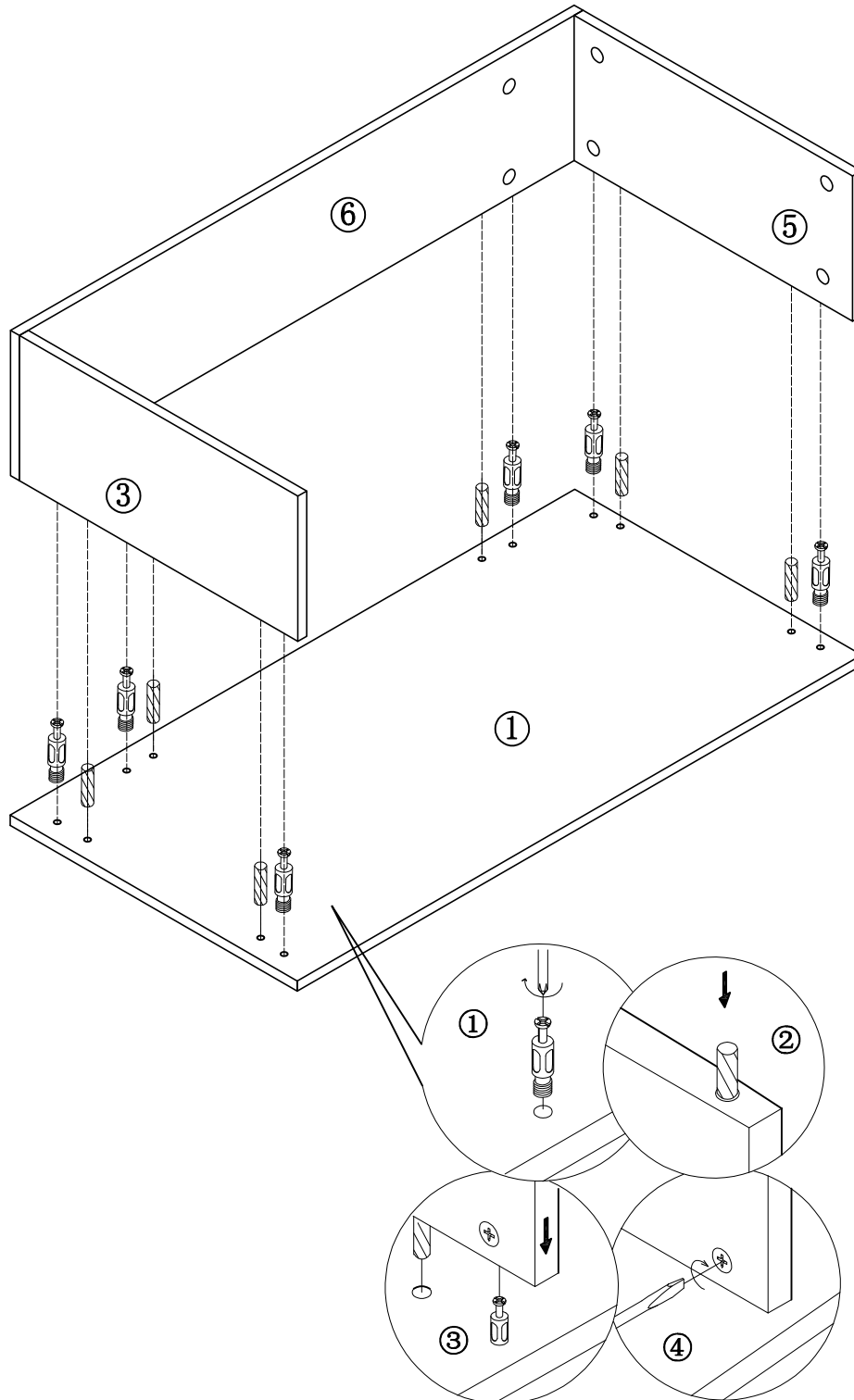
6pcs

Ⓒ



∅8\*30

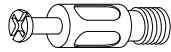
6pcs



# How to assemble :

## STEP 5

Ⓐ



L=42mm

2pcs

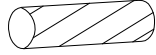
Ⓑ



φ15\*13.5

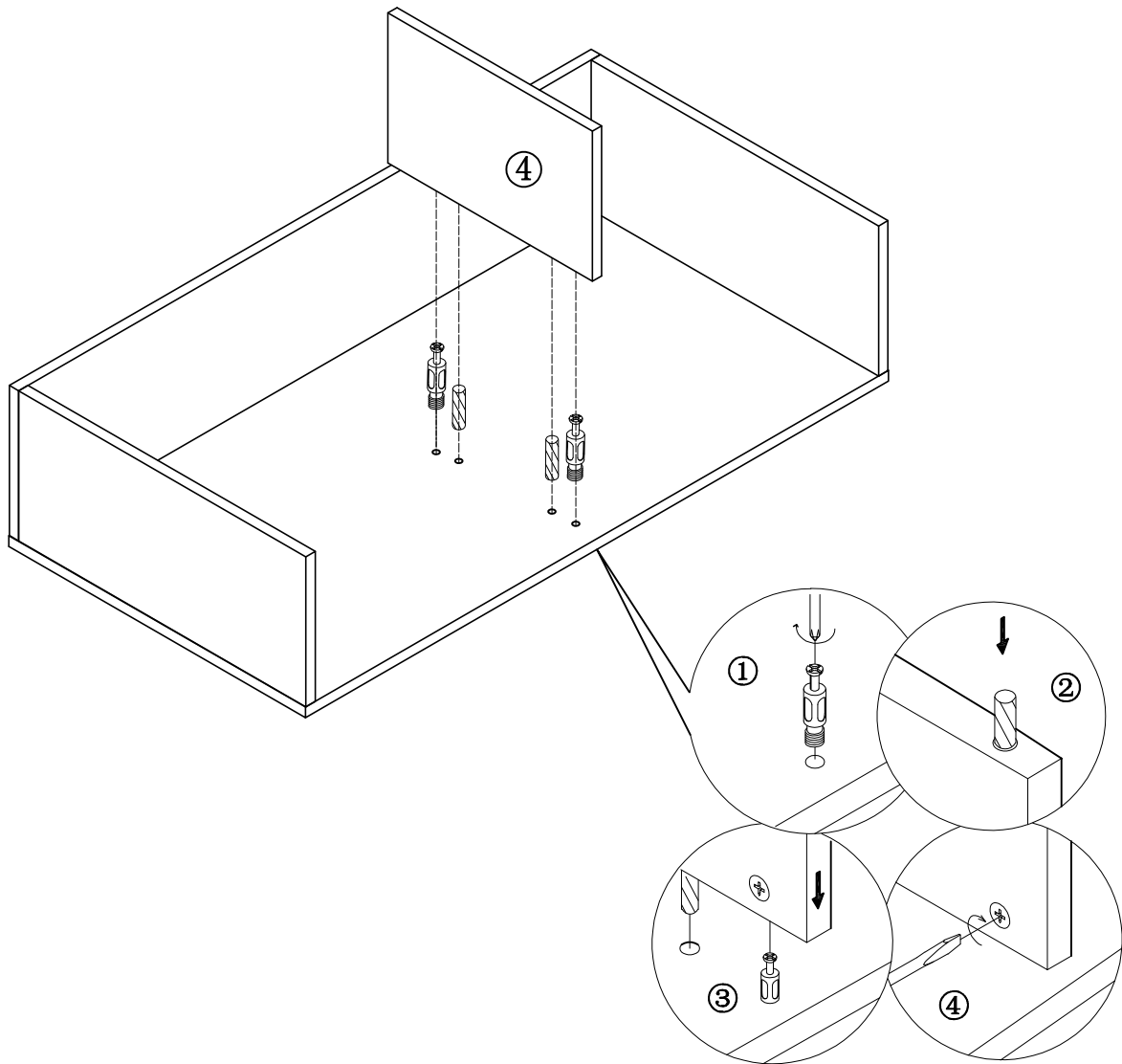
2pcs

Ⓒ



φ8\*30

2pcs



# How to assemble :

## STEP 6

Ⓐ



L=42mm

8pcs

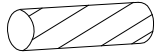
Ⓑ



φ15\*13.5

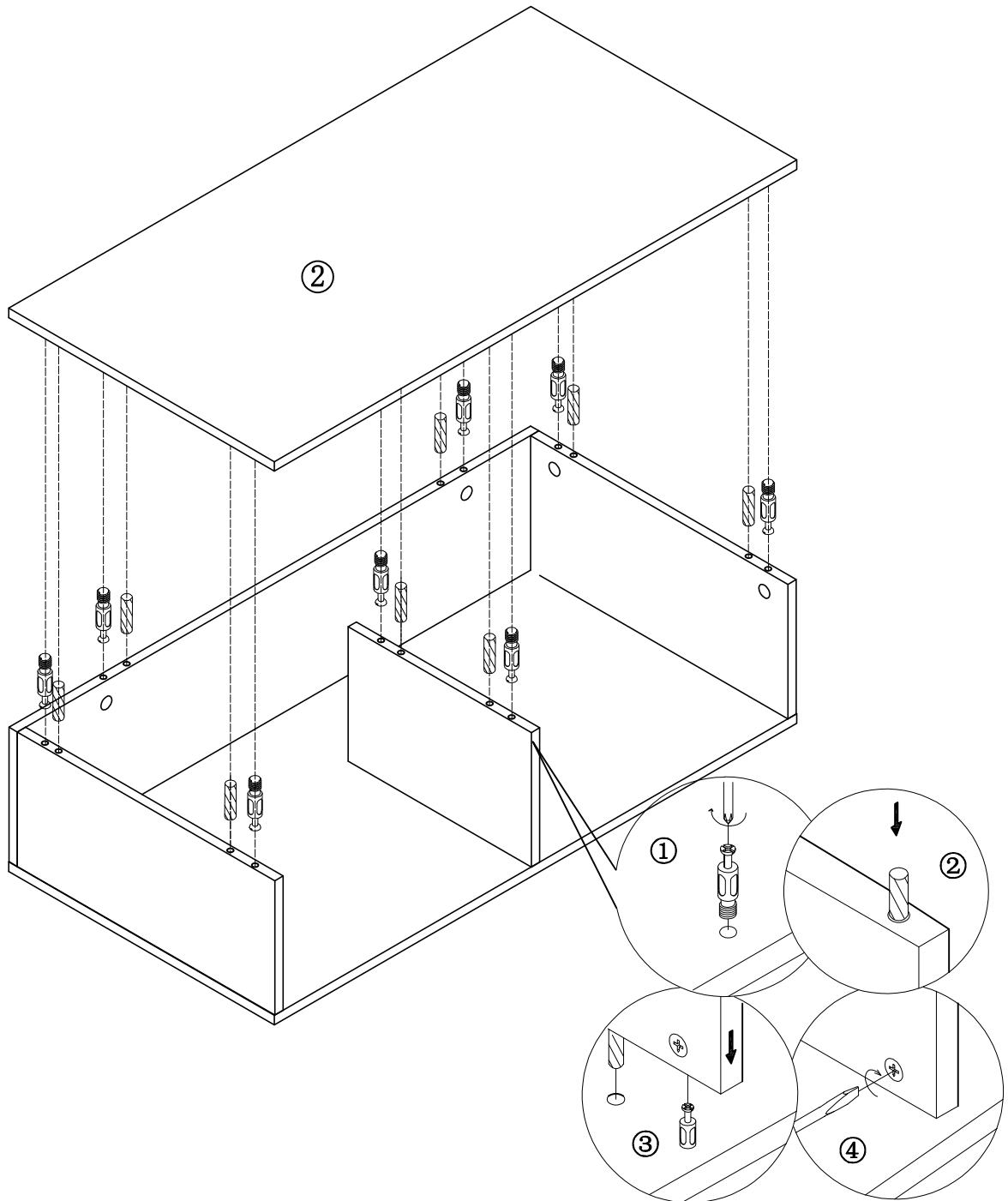
8pcs

Ⓒ



φ8\*30

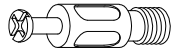
8pcs



# How to assemble :

## STEP 7

Ⓐ



L=42mm

4pcs

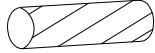
Ⓑ



φ15\*13.5

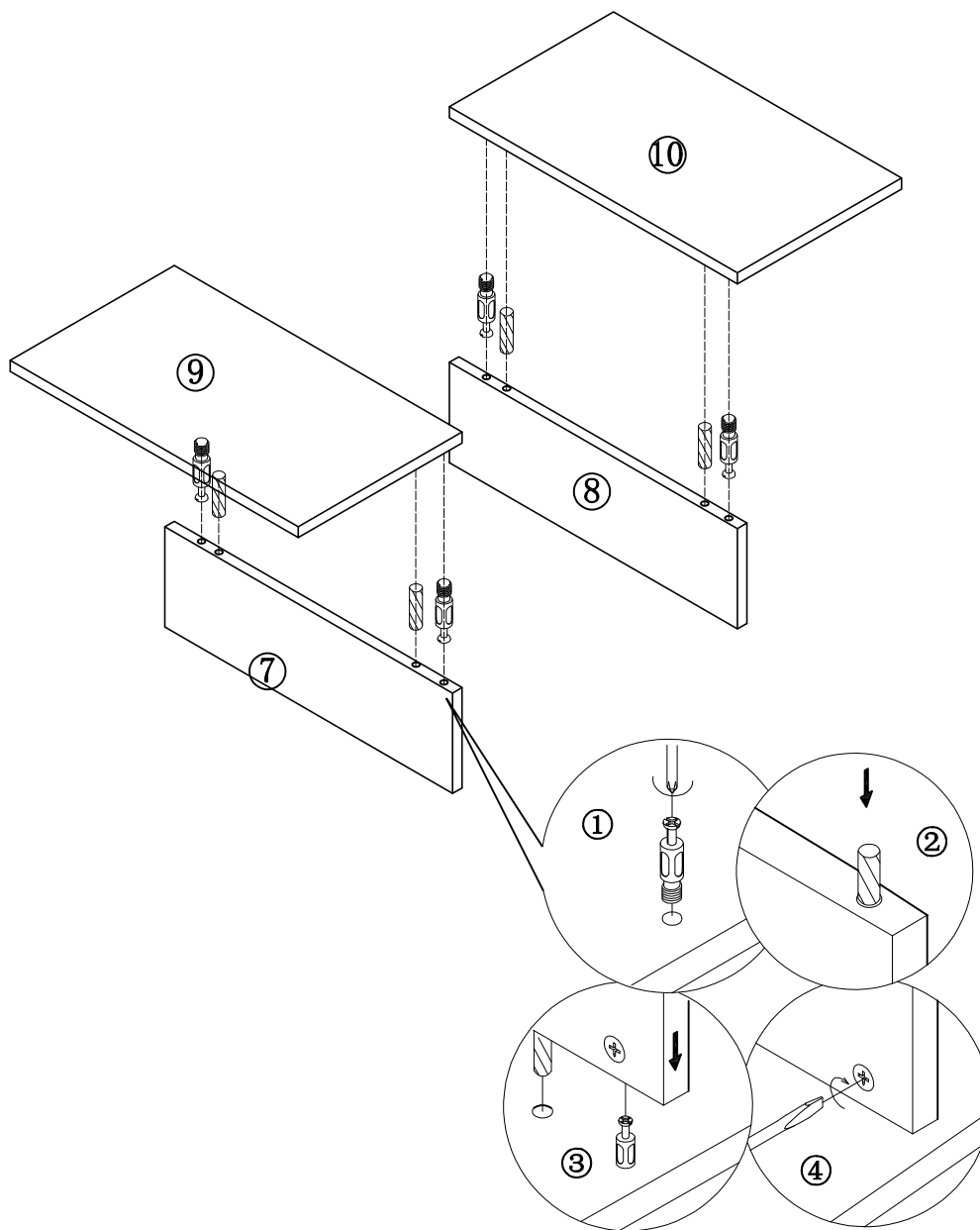
4pcs

Ⓒ



φ8\*30

4pcs



# How to assemble :

## STEP 8

Ⓐ



L=42mm

16pcs

Ⓑ



φ15\*13.5

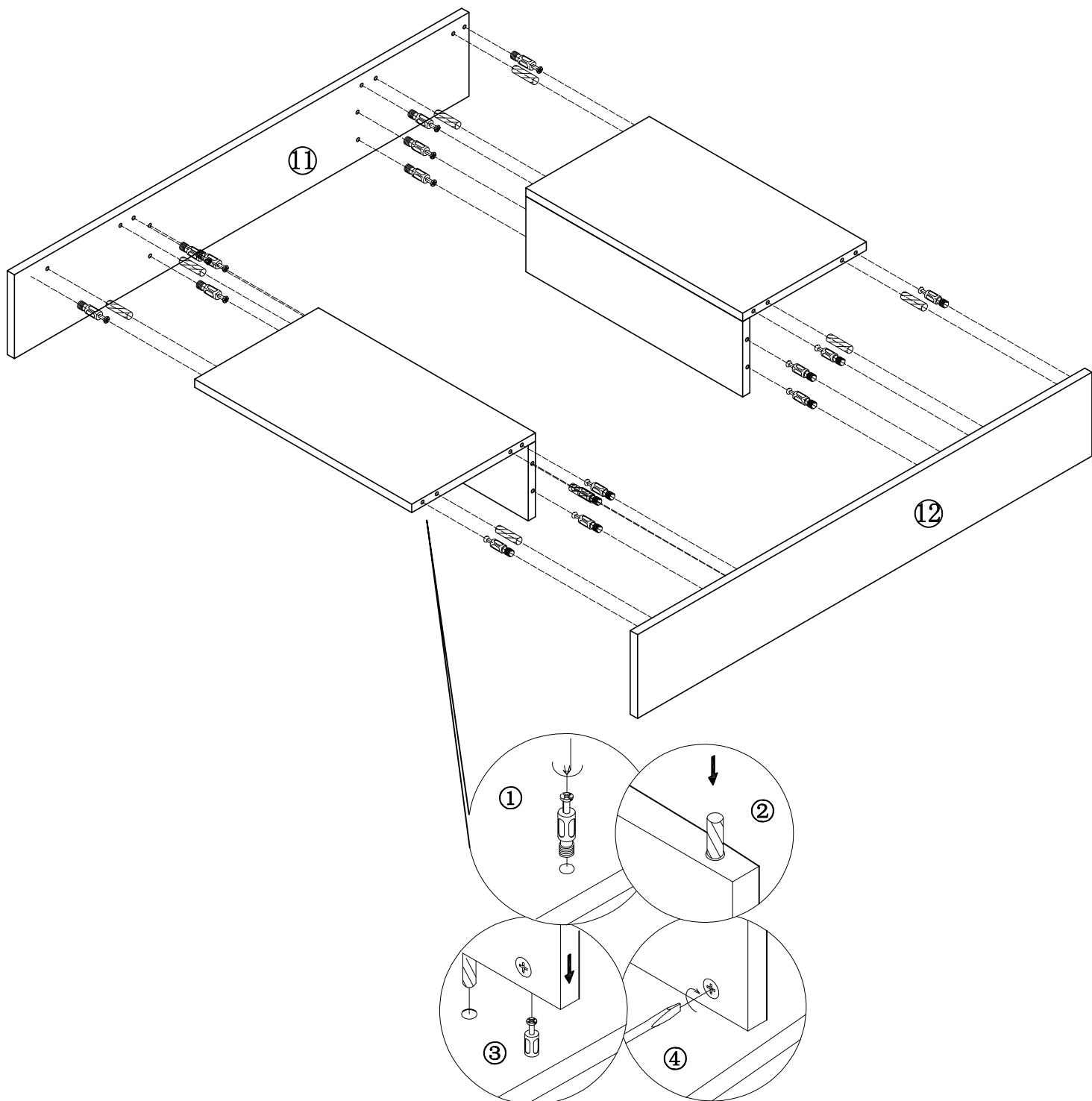
16pcs

Ⓒ



φ8\*30

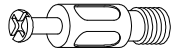
8pcs



# How to assemble :

## STEP 9

Ⓐ



L=42mm

12pcs

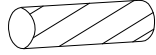
Ⓑ



φ15\*13.5

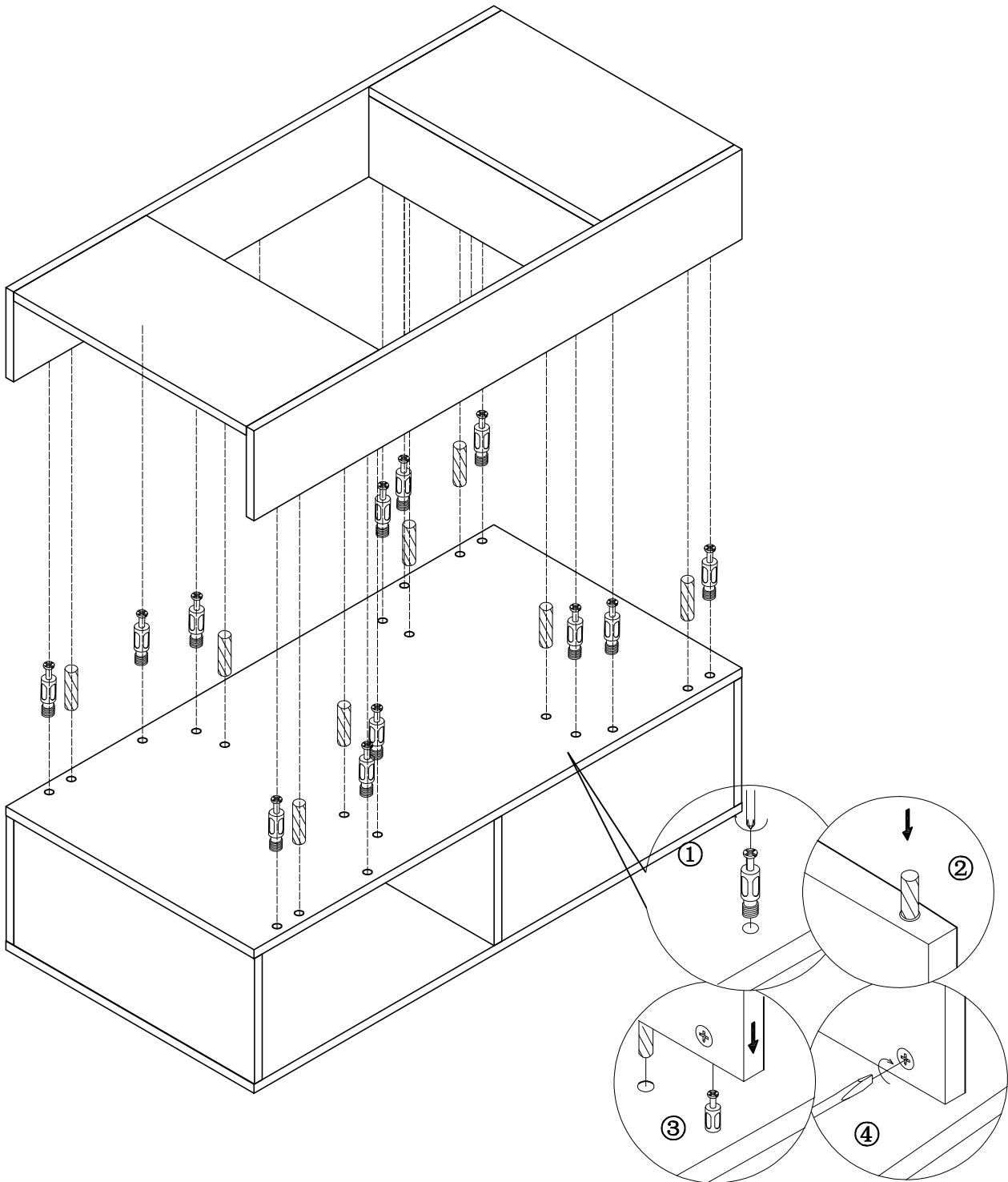
12pcs

Ⓒ




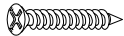


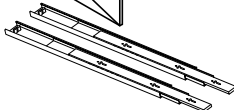
φ8\*30

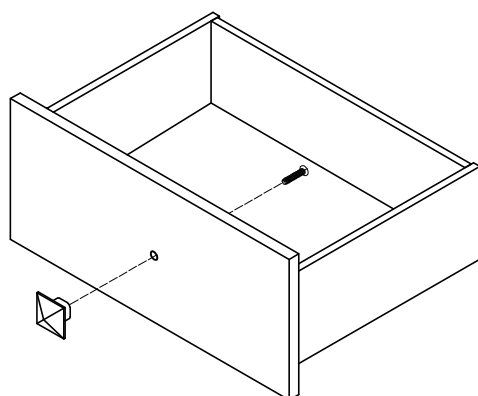
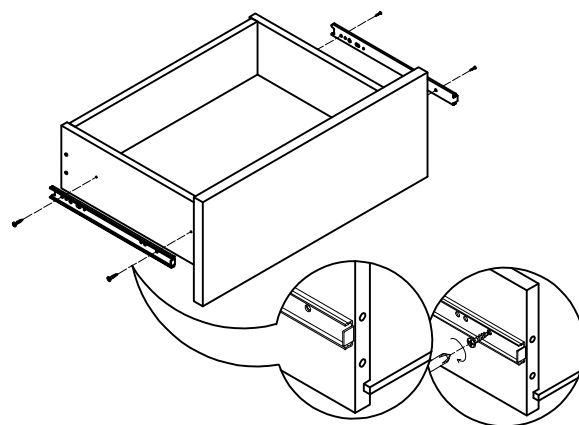
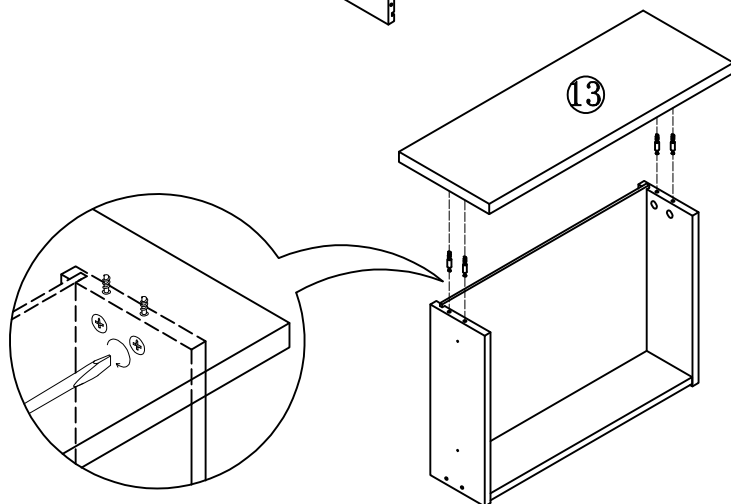
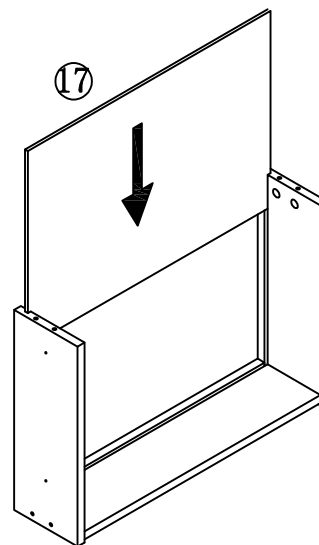
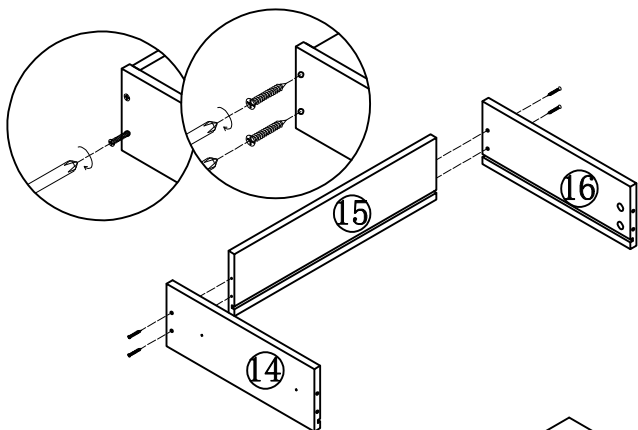
8pcs



# How to assemble :

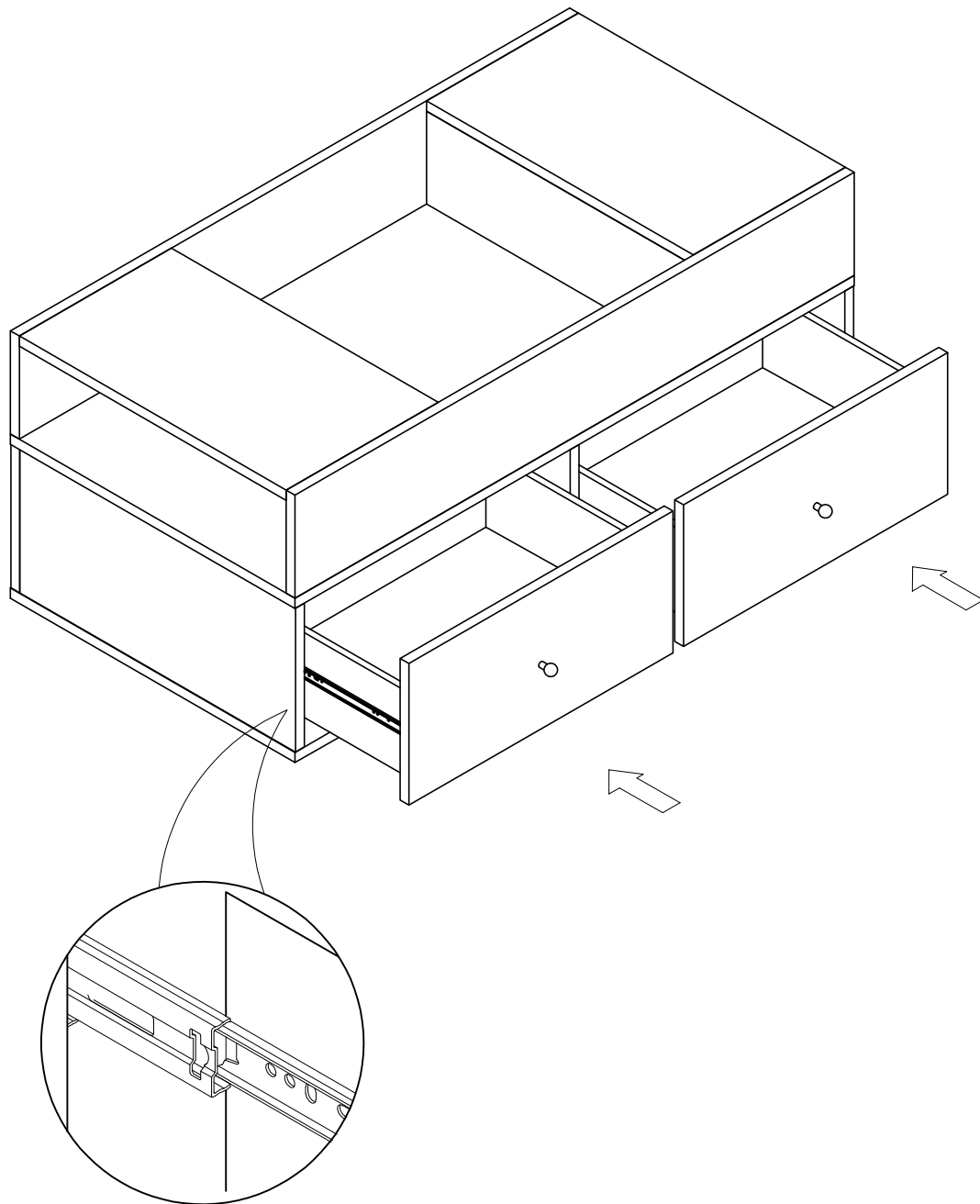
## STEP 10

Ⓓ		/	8pcs
Ⓔ		M4*30	8pcs
Ⓕ		M3*12	8pcs
Ⓘ		/	2pcs
Ⓚ		300mm	2pa



# How to assemble :

## STEP 11



# How to assemble :

## STEP 12

Ⓜ



M4\*16

10pcs

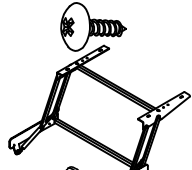
Ⓜ



M4\*16

4PCS

Ⓜ



/

1PCS

