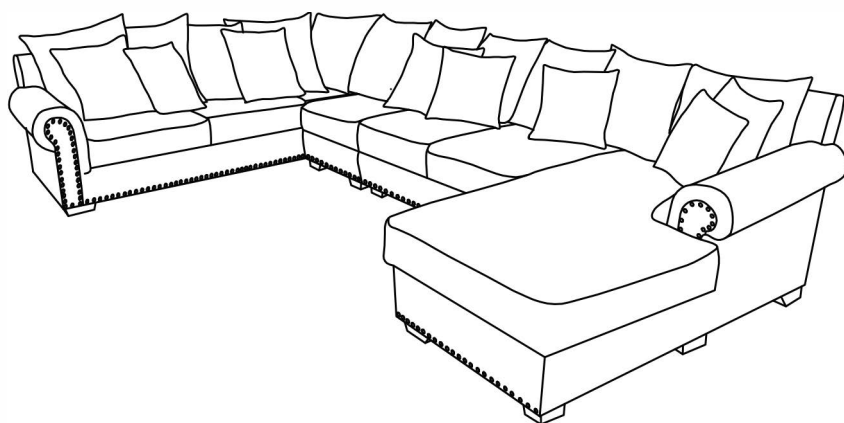


ASSEMBLY INSTRUCTIONS

TOOLS REQUIRED



Allen Wrench
(Included)



2 - People
Recommended

ASSEMBLY RATING



EASY —————> DIFFICULT

The Assembly Rating is a 5-point system showing the level of effort needed to assemble a specific product.



CHECK BEFORE STARTING



Are you missing anything?

Double-check all parts, hardware and accessories listed on Page 6 are accounted for.



Check out our Quick Tips!

We recommend reviewing the pre-assembly handouts. Even experts need a refresher now and then!



Prep Time!

Please review the assembly instructions and all diagrams prior to assembling. Arrange parts as recommended on Page 7 and group identical hardware together to make assembling easier.

PRE ASSEMBLY INTRODUCTION

We understand building ready-to-assemble furniture can be a challenging experience for some. To help avoid confusion, we have provided some helpful tips that may speed up the process.



Teamwork

ALWAYS have at least two people to help with transporting and assembling the product to avoid potential injury and/or damage.



Suitable Location

Assembling near the area of the intended location is highly recommended.



Sufficient Space

Make sure you have enough space to move around during the assembly.



Avoid Scratches

Use cardboard, blankets or a carpeted area while assembling furniture to prevent scratches.



Flat Surface

Make sure the furniture rests on a flat and level surface with each leg evenly touching the floor.

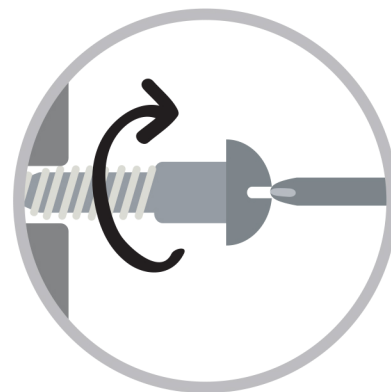
ASSEMBLY AND CARE ADVICE



FAILURE TO FOLLOW THE GUIDELINES BELOW MAY RESULT IN INJURY AND/OR PROPERTY DAMAGE.



Position each part correctly and insert screws or bolts into their respective holes.



Turn clockwise to tighten and only tighten when step is completed or when instructed to do so.



Use the appropriate hand tools or power tools for assembly. Select steps, such as tightening screws and/or bolts, may require hand tools to avoid causing damage during assembly.



Save the instructions and store any supplied tools for later maintenance.



After two weeks, check and tighten any loose hardware and repeat again every six months thereafter.

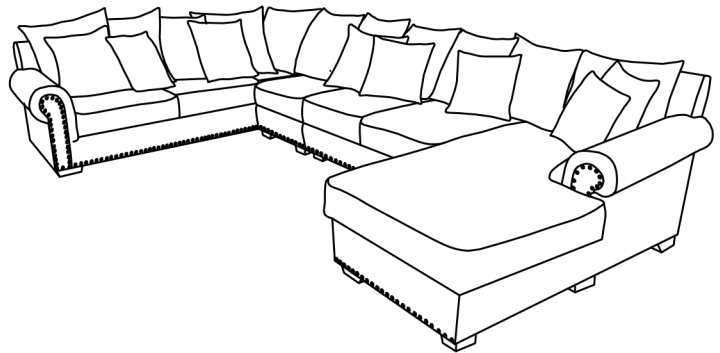
IT IS THE USER'S RESPONSIBILITY TO MAINTAIN THE FURNITURE. THE HARDWARE MAY LOOSEN OVER TIME AND MAY CAUSE THE FURNITURE TO BE WOBBLY AND UNABLE TO SUPPORT ITS INTENDED WEIGHT CAPACITY. THIS MAY LEAD TO COLLAPSE AND MAY CAUSE SERIOUS INJURY.

SOFA

CM6156

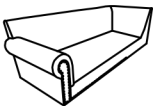


- Please keep instructions for future reference.
- Check the quantity and irregularity of parts and hardware before you start.



PARTS

#1 1pc



Left Sofa

#2 2pcs



Sofa Seat Cushion 1

#3 1pc



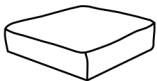
Sofa Seat Cushion 1

#4 1pc



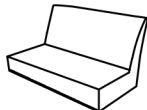
Armless Chair

#5 1pc



Chair Seat Cushion

#6 1pc



Loveseat

#7 2pcs



Loveseat Seat Cushion

#8 1pc



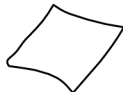
Right Chaise

#9 1pc



Chaise Seat Cushion

#10 11pcs



Big Pillow

#11 4pcs



Small Pillow

#12 4pcs



Flower Pillow

#13 17pcs



Leg

#14 1pc



Support Leg

HARDWARE

#A 17pcs



Bolt Ø5/16" x 3-1/2"

#B 17pcs



Lock Washer Ø5/16"

#C 17pcs

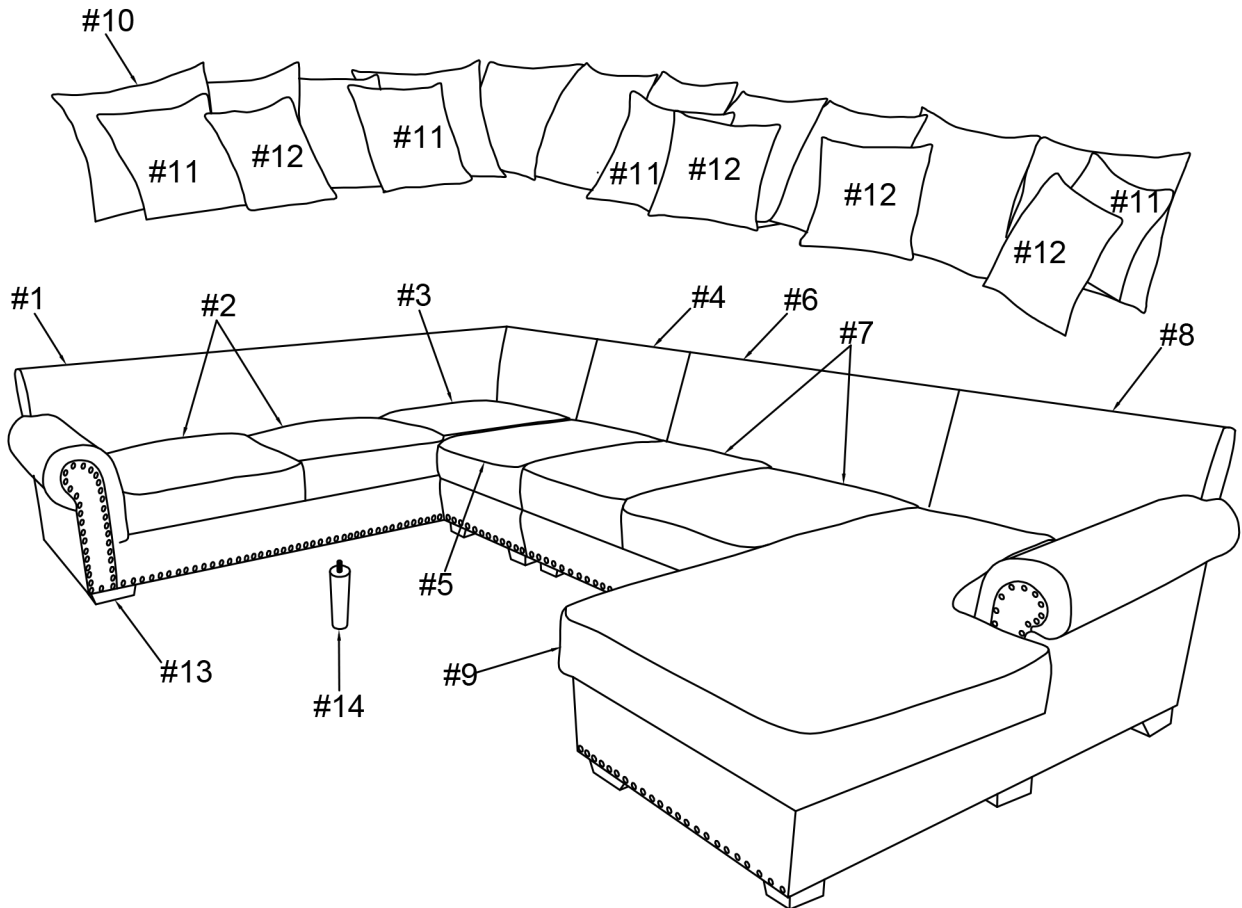


Flat Washer Ø5/16"

#D 1pc

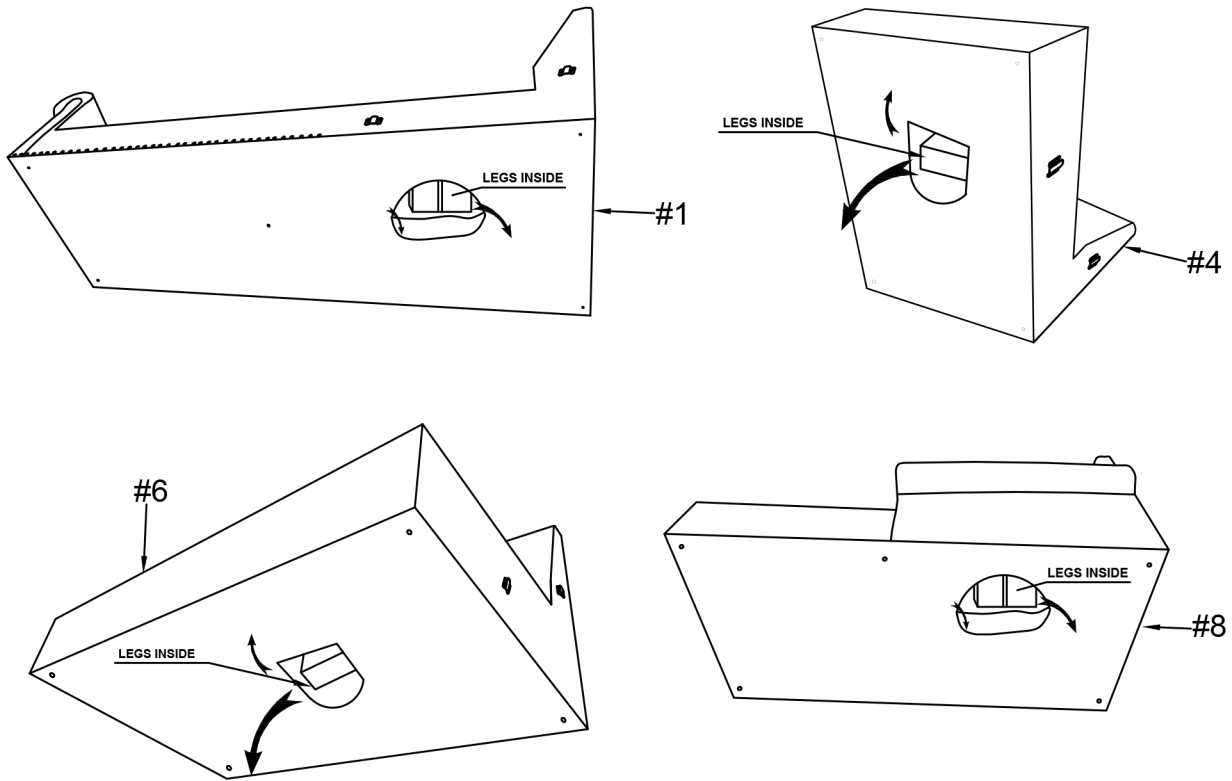


Allen Key 5mm



Exploded View

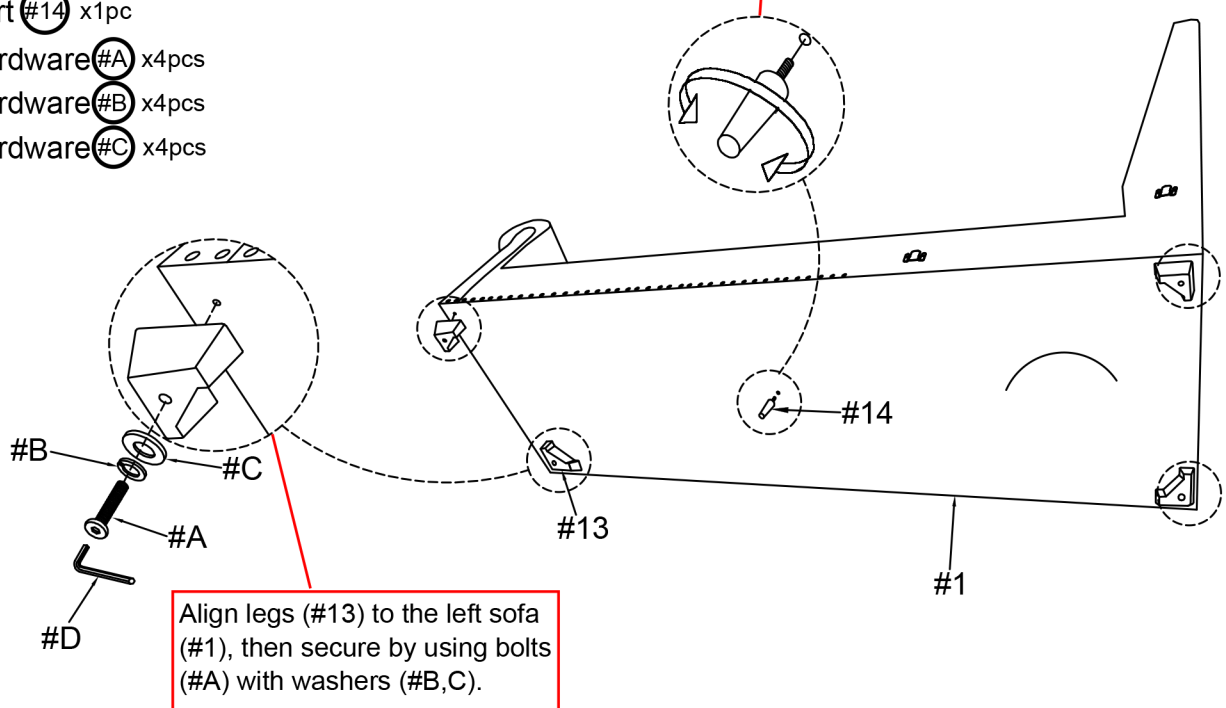
1



2

- Part #1 x1pc
- Part #13 x4pcs
- Part #14 x1pc
- Hardware #A x4pcs
- Hardware #B x4pcs
- Hardware #C x4pcs

Attach support leg (#14) to the left sofa (#1).

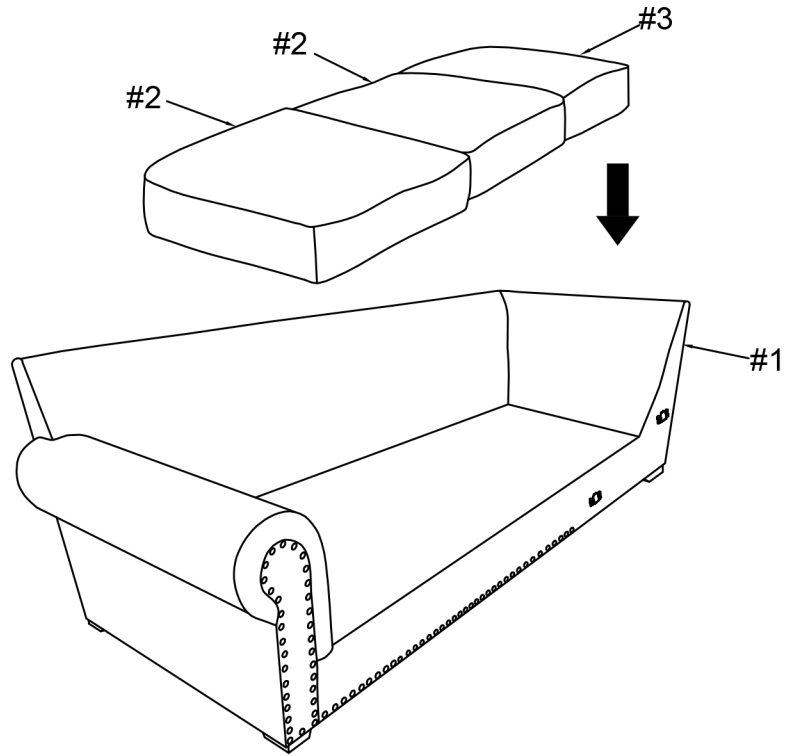


ASSEMBLY INSTRUCTIONS

3

Part #2 x2pcs

Part #3 x1pc



4

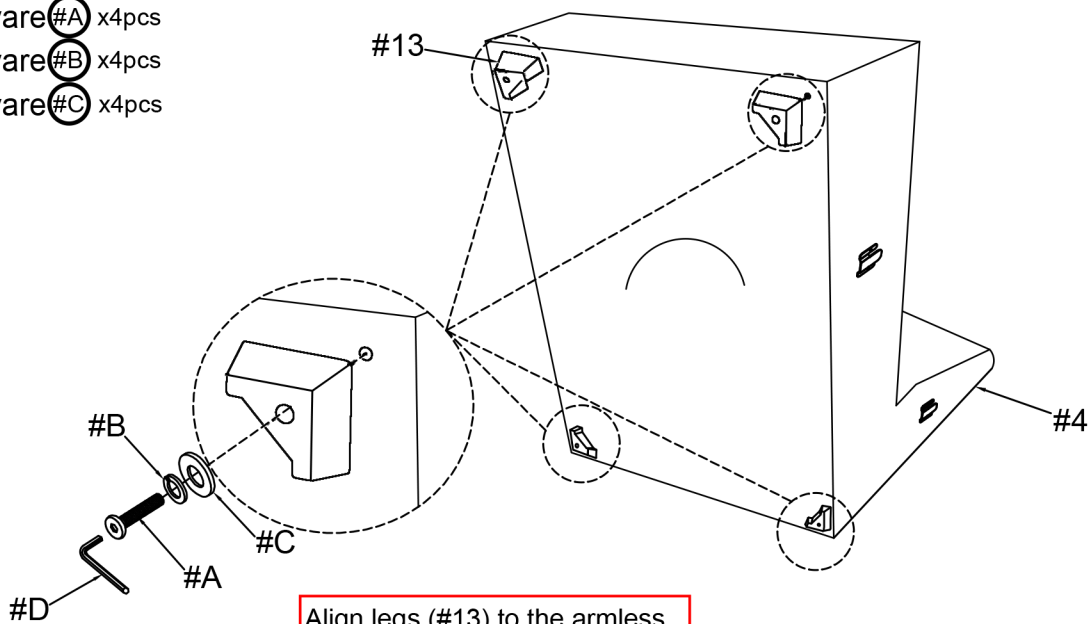
Part #4 x1pc

Part #13 x4pcs

Hardware #A x4pcs

Hardware #B x4pcs

Hardware #C x4pcs

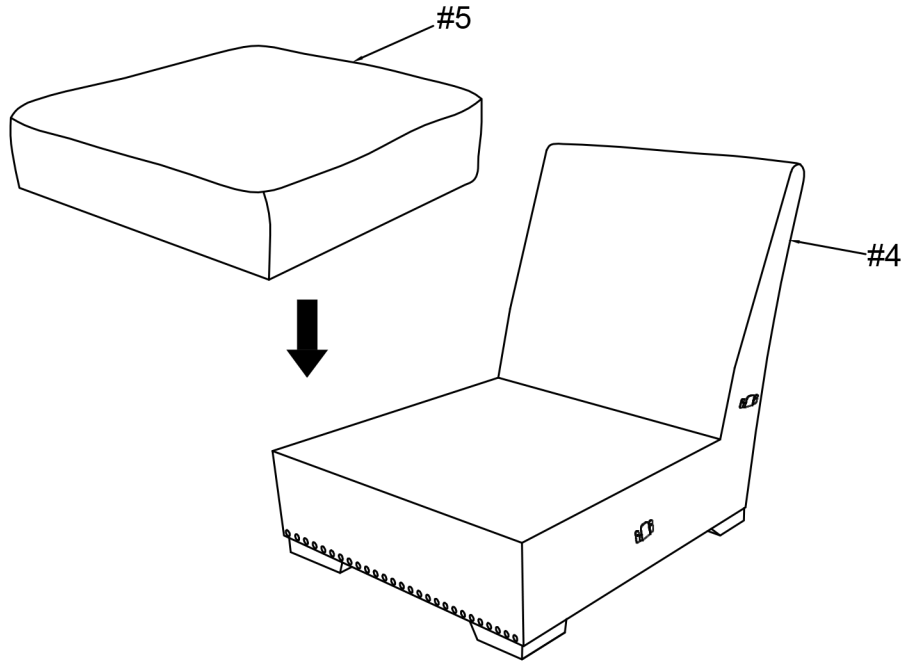


Align legs (#13) to the armless chair (#4), then secure by using bolts (#A) with washers (#B,C).

ASSEMBLY INSTRUCTIONS

5

Part #5 x1pc



6

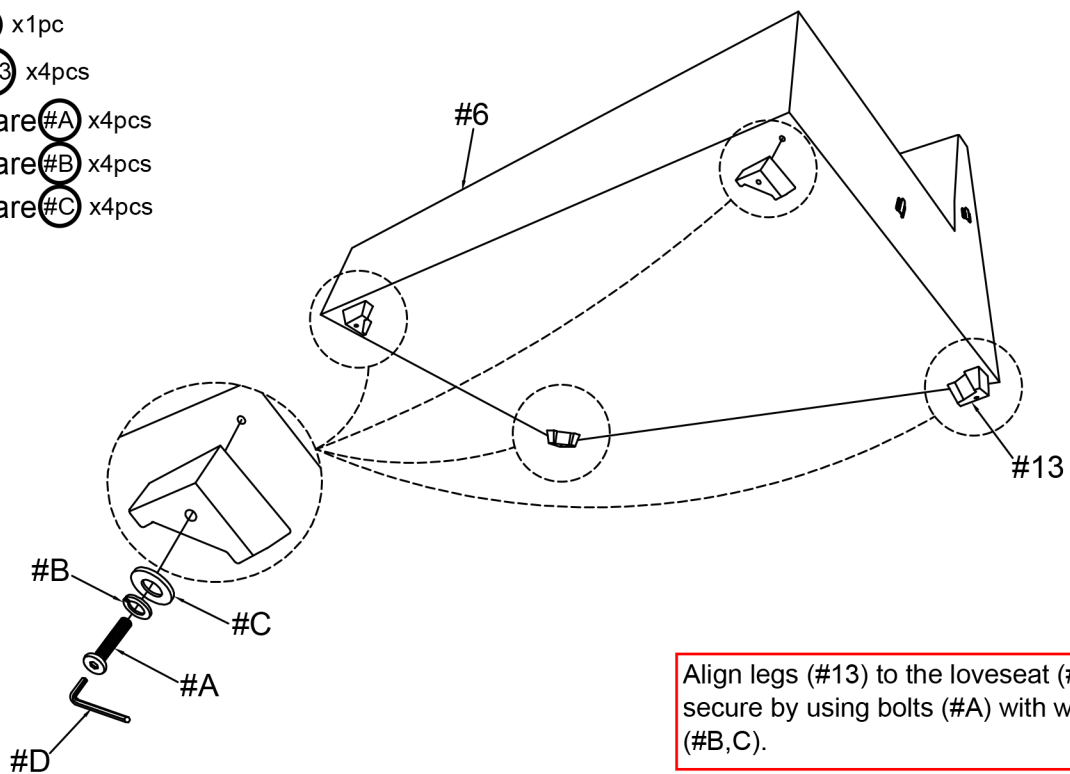
Part #6 x1pc

Part #13 x4pcs

Hardware #A x4pcs

Hardware #B x4pcs

Hardware #C x4pcs

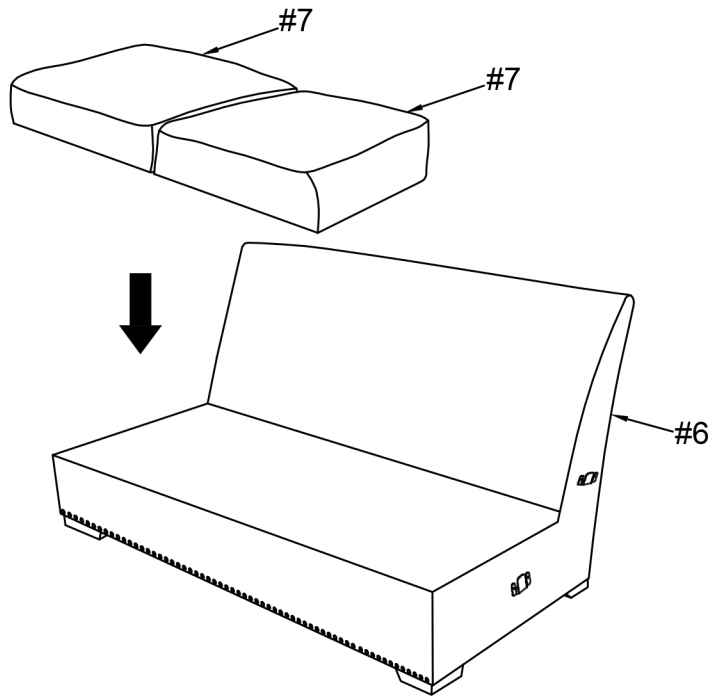


Align legs (#13) to the loveseat (#6), then secure by using bolts (#A) with washers (#B,C).

ASSEMBLY INSTRUCTIONS

7

Part #7 x2pcs



8

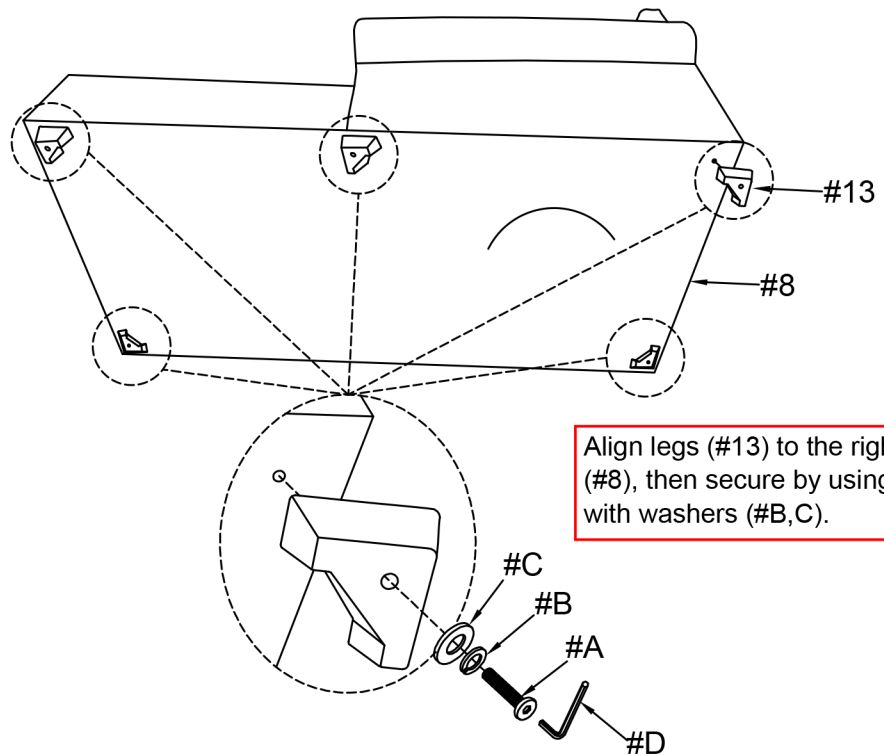
Part #8 x1pc

Part #13 x5pcs

Hardware #A x5pcs

Hardware #B x5pcs

Hardware #C x5pcs

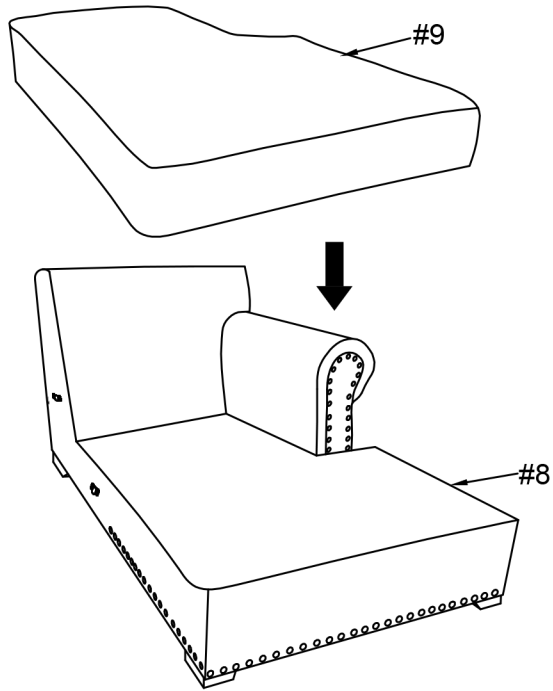


Align legs (#13) to the right chaise (#8), then secure by using bolts (#A) with washers (#B,C).

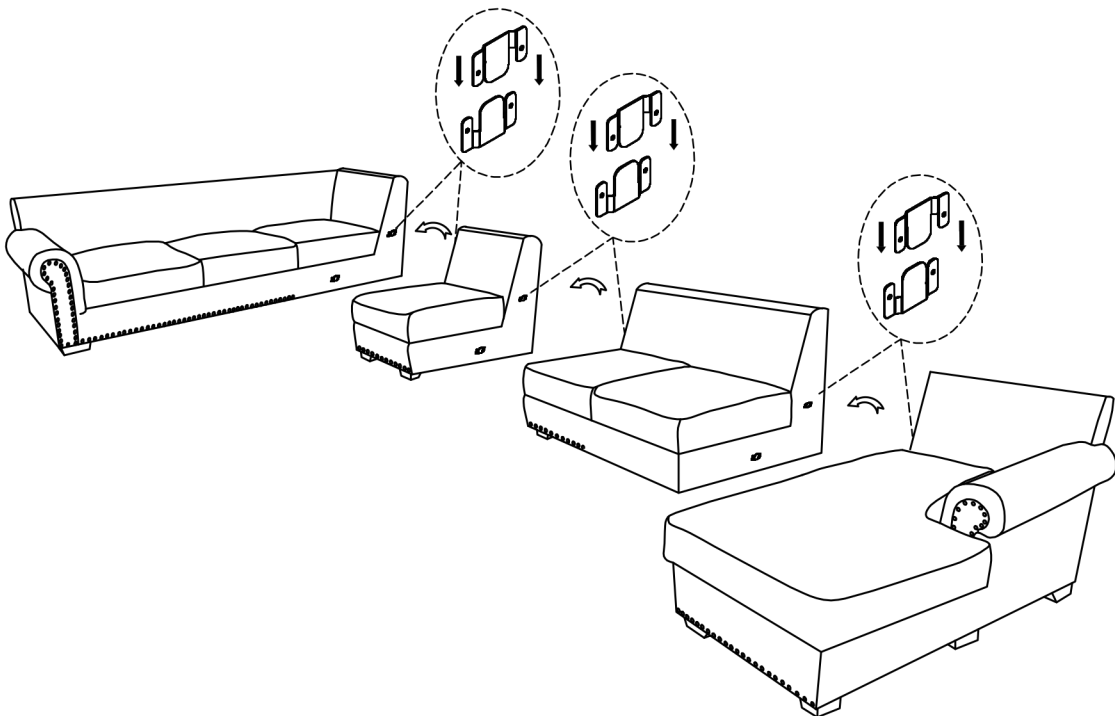
ASSEMBLY INSTRUCTIONS

9

Part #9 x1pc



10



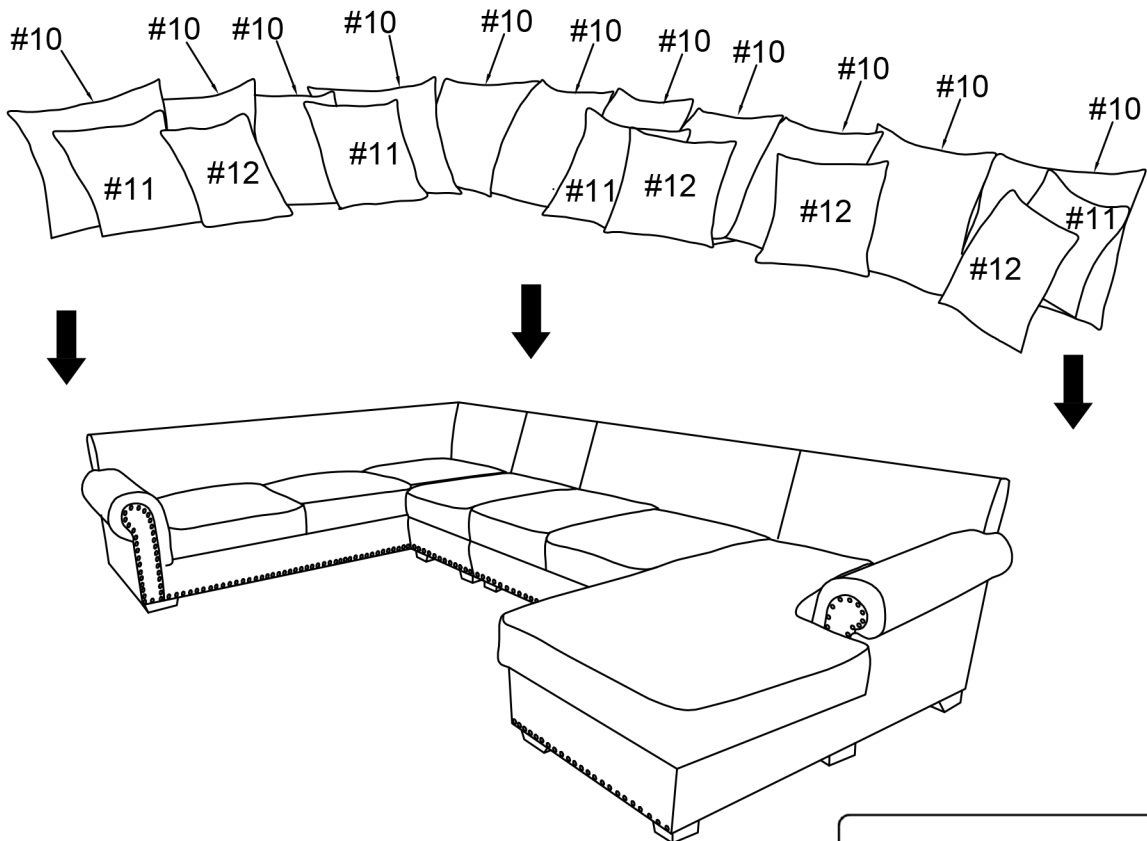
ASSEMBLY INSTRUCTIONS

11

Part #10 x11pcs

Part #11 x4pcs

Part #12 x4pcs



ASSEMBLY COMPLETED



Please ensure the furniture rests on an even and flat surface. If the product wobbles or feels loose, double-check all bolts and/or screws are properly tightened and secured.



Keep this handy!

Please retain this instruction manual and any order-related information for future reference.



Lift, don't drag!

To avoid damage to product please always LIFT the product when transporting or adjusting the placement.