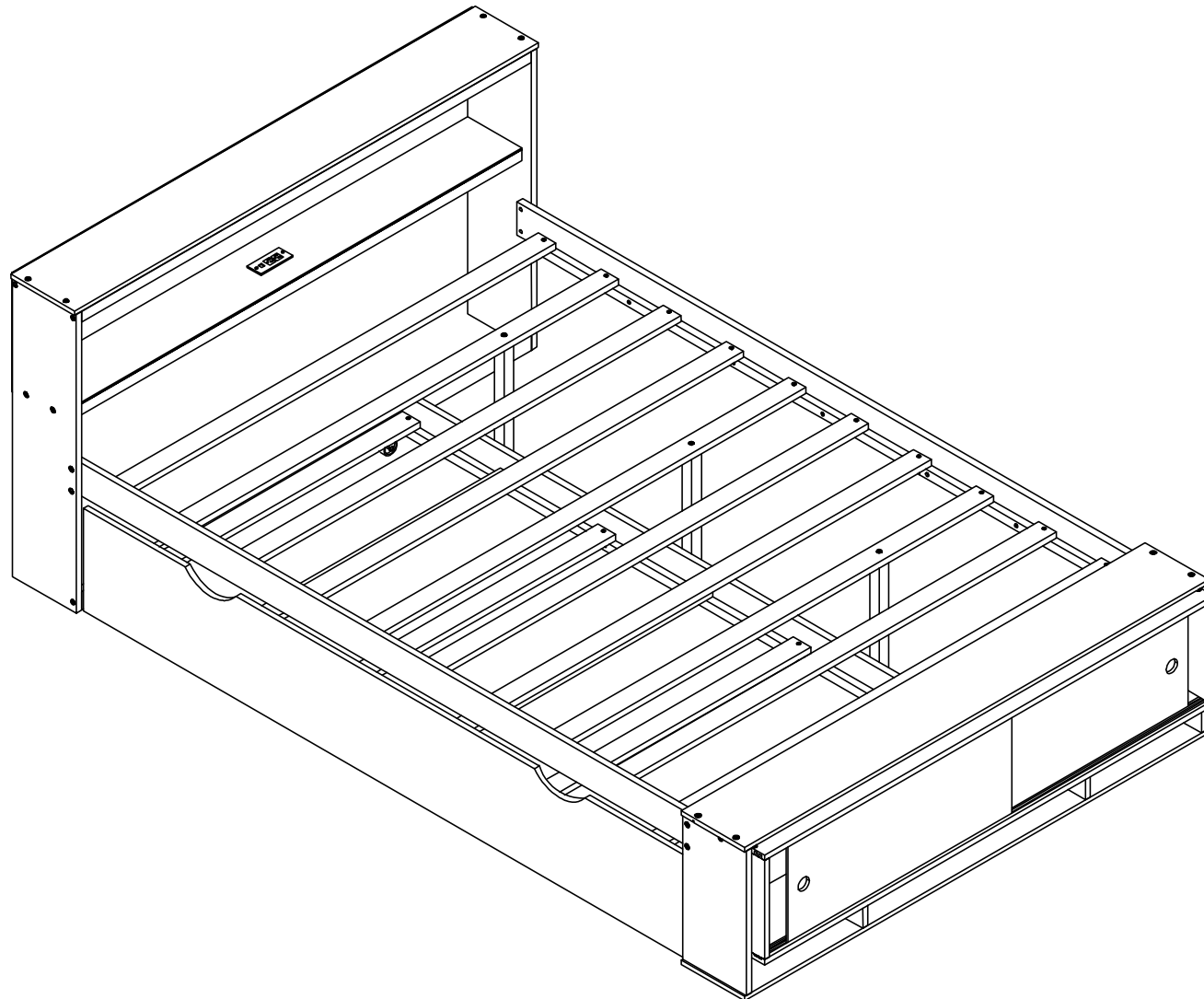


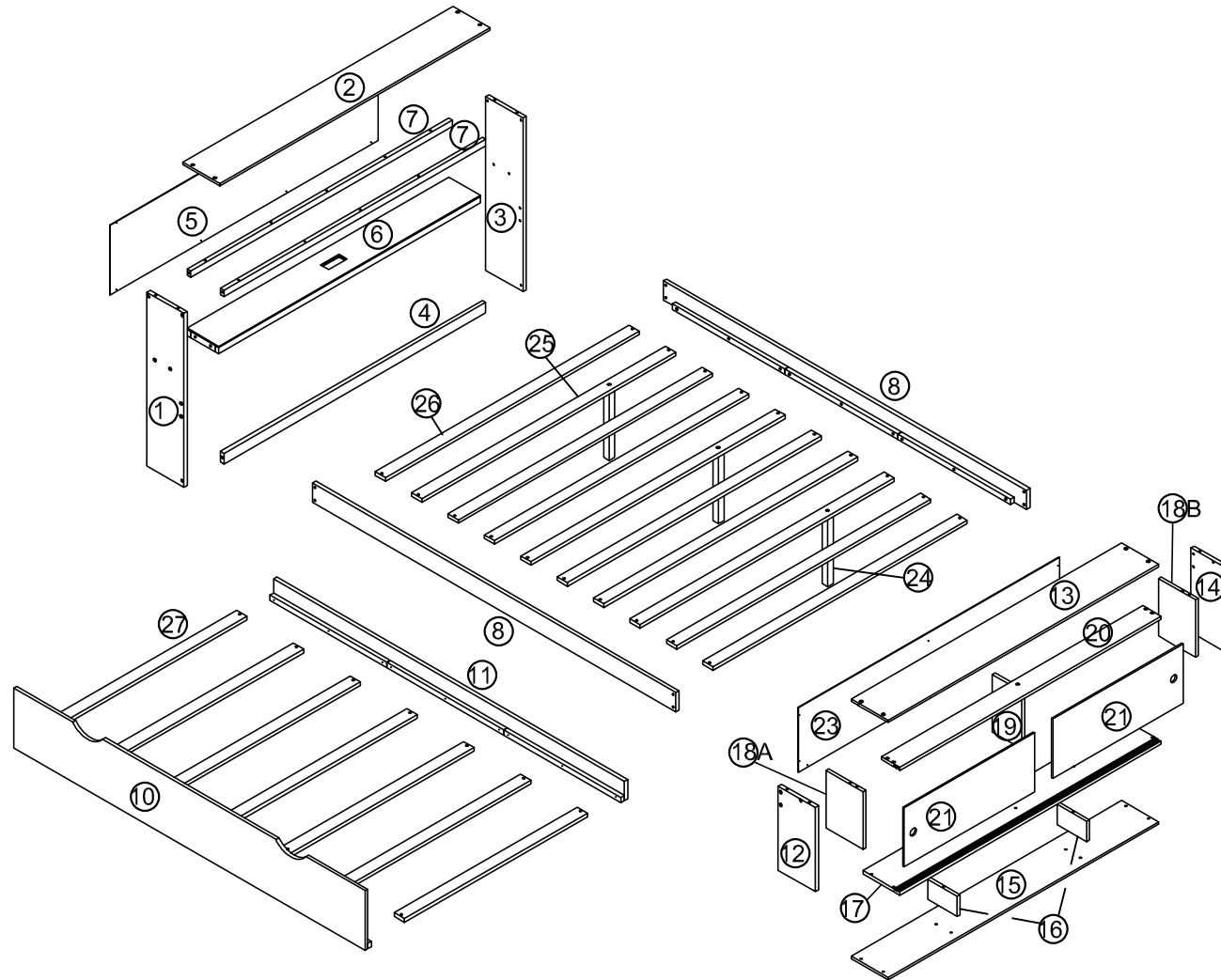
ASSEMBLY INSTRUCTION INSTRUCTIONS DEMONTAGE

SKU CODE: WF325743 + WF325744




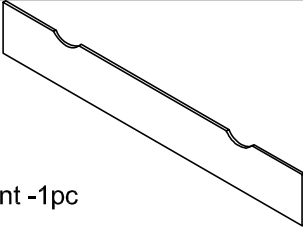
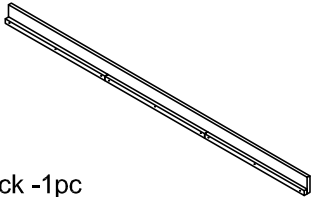

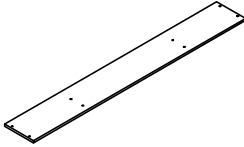
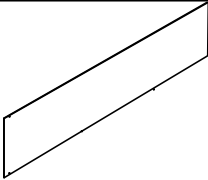
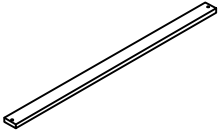

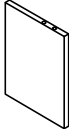
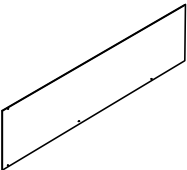
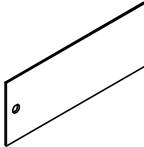
ASSEMBLY INSTRUCTION

INSTRUCTIONS DEMONTAGE


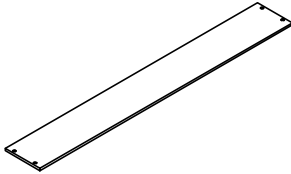

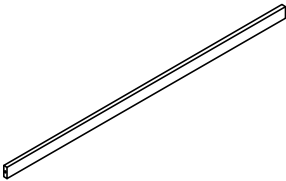
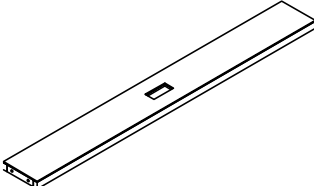
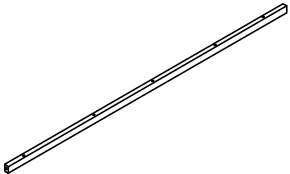

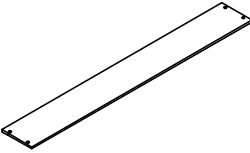



Part List (Box 1- WF325743)

Liste des pièces

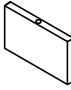
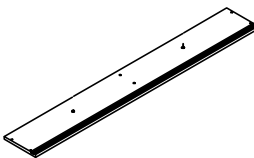
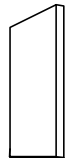
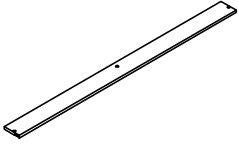
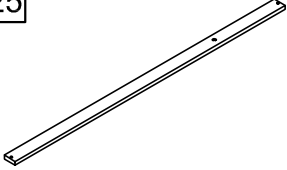
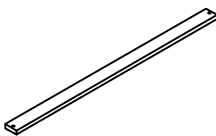
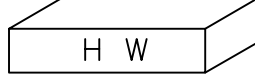
<p>8</p>  <p>Side Rail - 2pcs Barres de bois</p>	<p>10</p>  <p>Drawer Front -1pc Planche</p>	<p>11</p>  <p>Drawer Back -1pc Planche</p>
<p>24</p>  <p>Leg Center: 3pcs Barres de bois</p>	<p>15</p>  <p>Bottom Panel (2) -1pc Planche</p>	<p>5</p>  <p>Back Panel (Head Board) -1pc Planche</p>
<p>27</p>  <p>Drawer rail - 7pcs Barres de bois</p>	<p>18A</p>  <p>Side Panel Left -1pc Planche</p>	<p>18B</p>  <p>Side Panel Right -1pc Planche</p>
<p>23</p>  <p>Back Panel (2) - 1pc Planche</p>	<p>21</p>  <p>Door -2 pcs Planche</p>	

Part List (Box 2- WF325744)

<p>1</p>  <p>Side Panel (Left Head Board) -1pc Planche</p>	<p>2</p>  <p>Top Panel (Head Board)-1pc Planche</p>	<p>3</p>  <p>Side Panel (Right Head Board) -1pc Planche</p>
<p>4</p>  <p>Front rail (Head Board) -1pc Barres de bois</p>	<p>6</p>  <p>Adjustable Shelf (Head Board)-1pc Planche</p>	<p>7</p>  <p>Top Rail(Head Board)- 2pcs Barres de bois</p>
<p>12</p>  <p>Side Panel Left (2)-1pc Planche</p>	<p>13</p>  <p>Top Panel (2) - 1pc Planche</p>	<p>14</p>  <p>Side Panel Right (2)-1pc Planche</p>


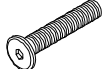
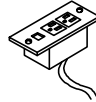
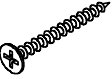



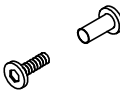
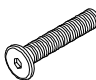

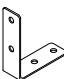
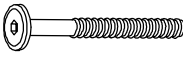

Part List (Box 2 - WF325744)

Liste des pièces

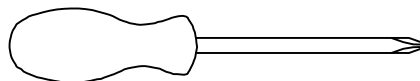
<p>16</p>  <p>Partition(2) - 2pcs Planche</p>	<p>17</p>  <p>Adjustable Shelf (2)-1pc Planche</p>	<p>19</p>  <p>Partition (2)- 1pc Planche</p>	
<p>20</p>  <p>Top Panel (2) -1pc Planche</p>	<p>25</p>  <p>Slats (1): 3pcs Barres de bois</p>	<p>26</p>  <p>Slats (2): 7pcs Barres de bois</p>	<p>Hardware Quincaillerie</p> 

Hardware List (Box 2 - WF325744)

Liste du matériel

<p>A</p>  <p>80x30x4 mm Allen key (2pc) Clé Allen</p>	<p>B</p>  <p>1/4 x30 mm Hex-Head bolts (34pcs) Boulon</p>	<p>C</p>  <p>USB - 1pc</p>
<p>D</p>  <p>Ø4x25 mm Screws (44pcs) Vis</p>	<p>E</p>  <p>Ø4x15 mm Screws (24pcs) Vis</p>	<p>F</p>  <p>45x25x50 Wheel (4pcs) Roulettes de tiroir</p>
<p>G</p>  <p>Ø3.5x12 mm Screws (29 pcs) Vis</p>	<p>H</p>  <p>Connector Bolts M6x24mm and Nuts M6x15mm (8pcs) Boulons de connexion & Écrous</p>	<p>K</p>  <p>1/4 x25 mm Hex-Head bolts (4pcs) Boulon</p>
<p>L</p>  <p>Patt 01(2pcs) Patte</p>	<p>M</p>  <p>Patt 02(2pcs) Patte</p>	<p>N</p>  <p>(Ø13)1/4"x50mm Hex-Head bolts (6pcs) Boulon</p>
<p>P</p>  <p>1/4"x12mm(9.5mm) Horizontal-Hole bolts (6pcs) Boulons à trou horizontal</p>		

ASSEMBLY TOOLS REQUIRED (NOT INCLUDED)
OUTILS D'ASSEMBLAGE REQUIS (NON INCLUS)

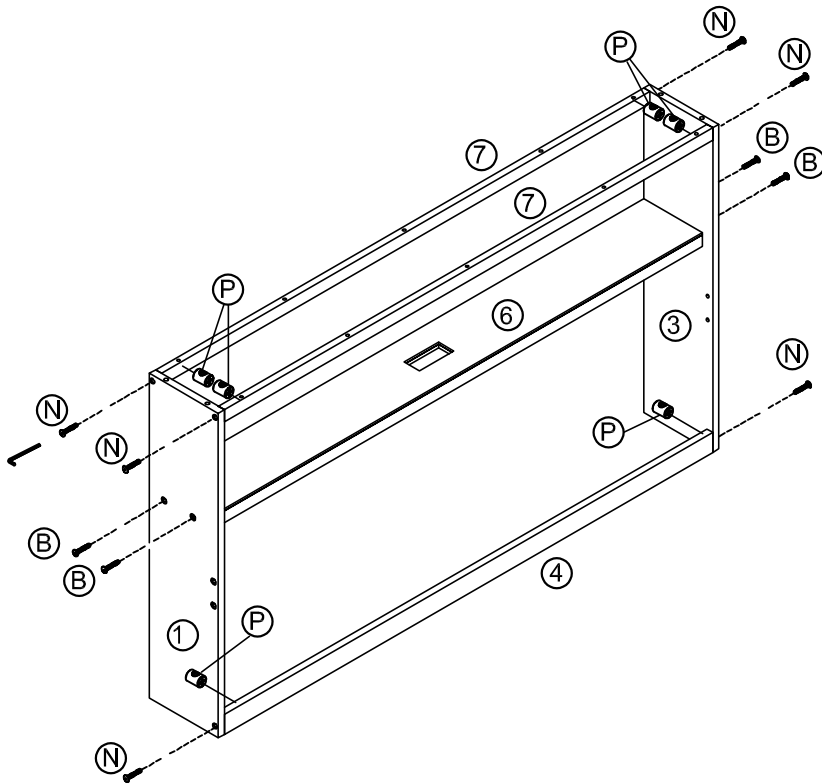






PLEASE BE CAREFUL DO NOT DAMAGE THE HOLE

POSITION WHEN YOU USE POWER TOOLS !

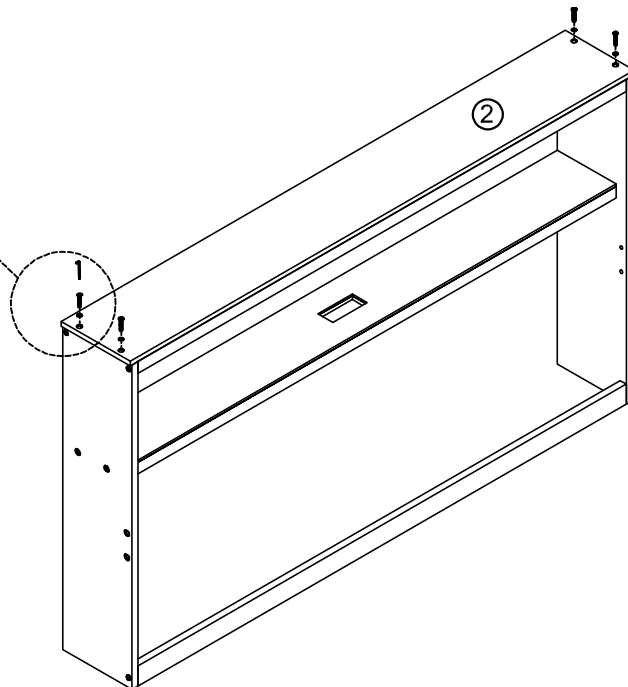
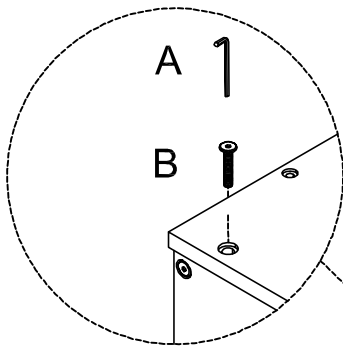
VEUILLEZ FAIRE ATTENTION DE NE PAS ENDOMMAGER LE TROU,
LA POSITION LORSQUE VOUS UTILISEZ DES OUTILS ELECTRIQUES



STEP 1:
ÉTAPE 1



A 	B 
1PC	4PCS
N 	P 
6PCS	6PCS

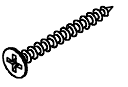
STEP 2:
ÉTAPE 2



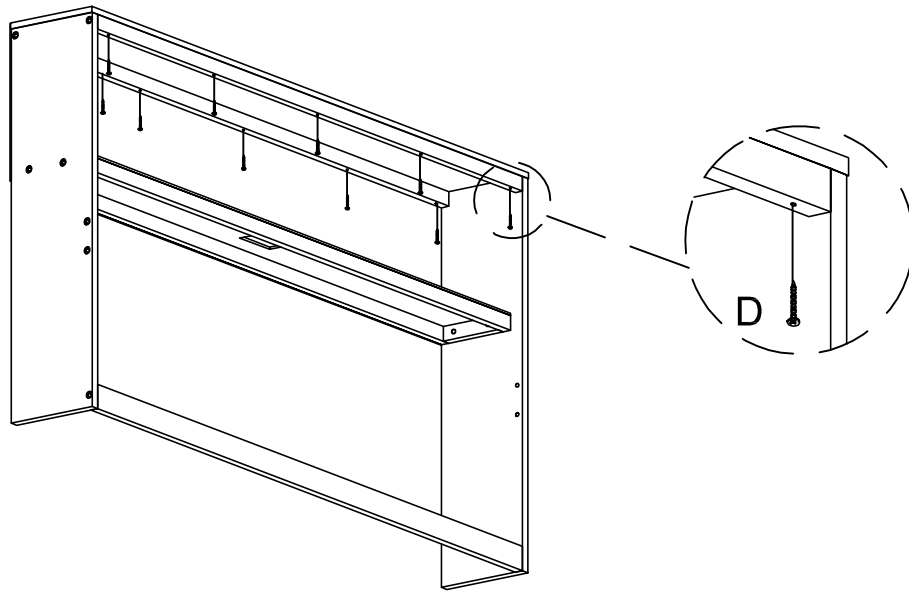
A 	B 
1PC	4PCS

STEP 3:
ÉTAPE 3

D



10PCS

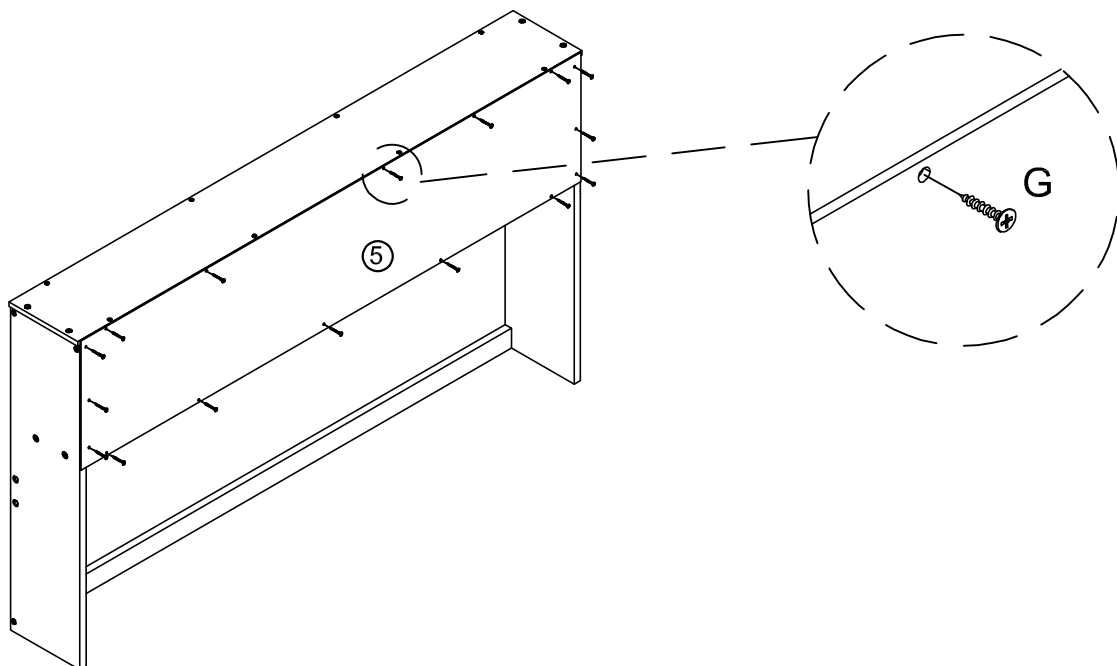


STEP 4:
ÉTAPE 4



G

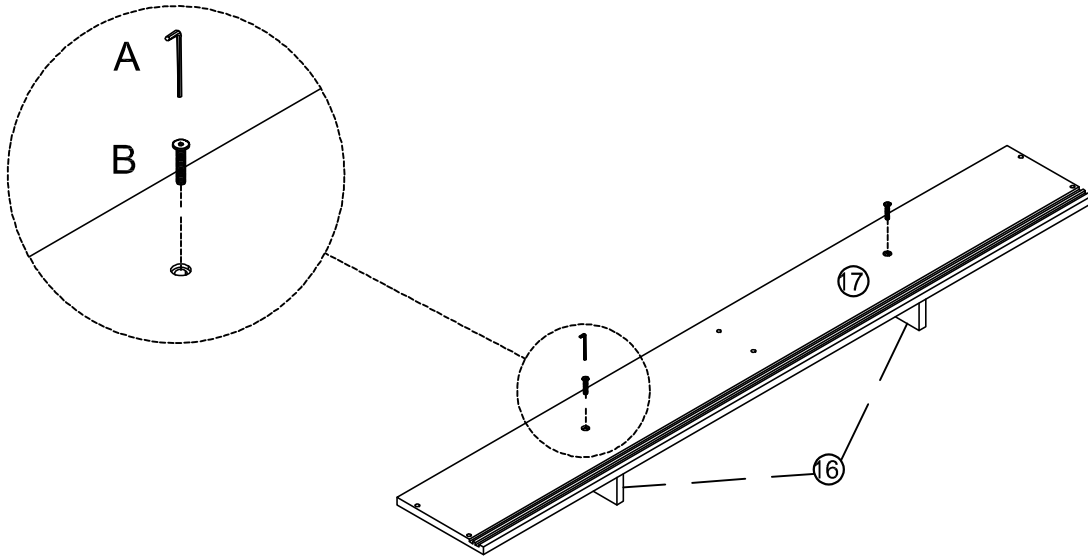


16PCS





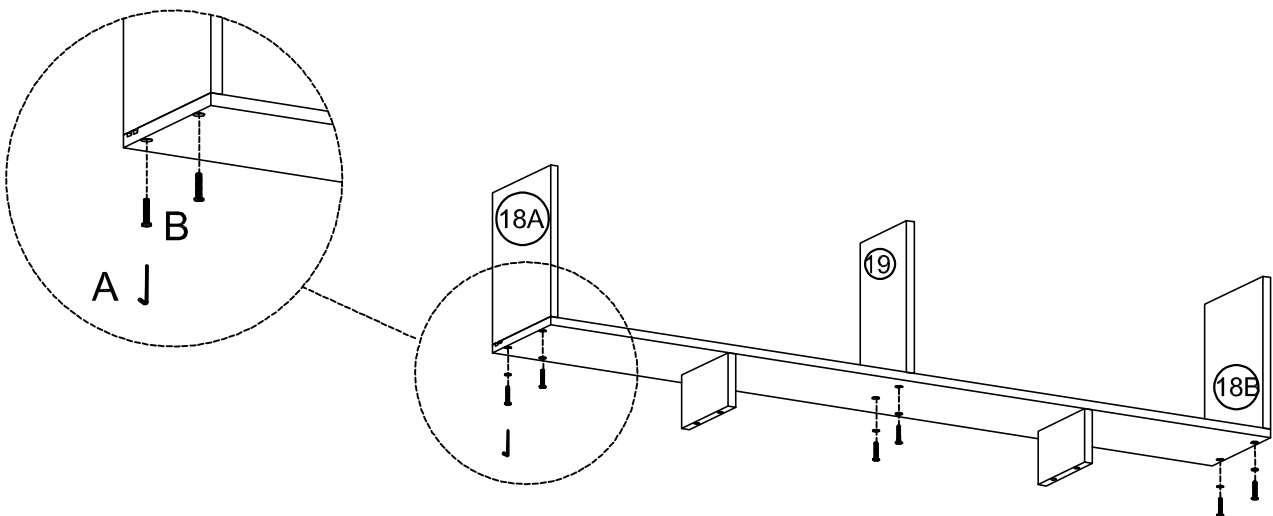
STEP 5:
ÉTAPE 5

A	B
	
1PC	2PCS

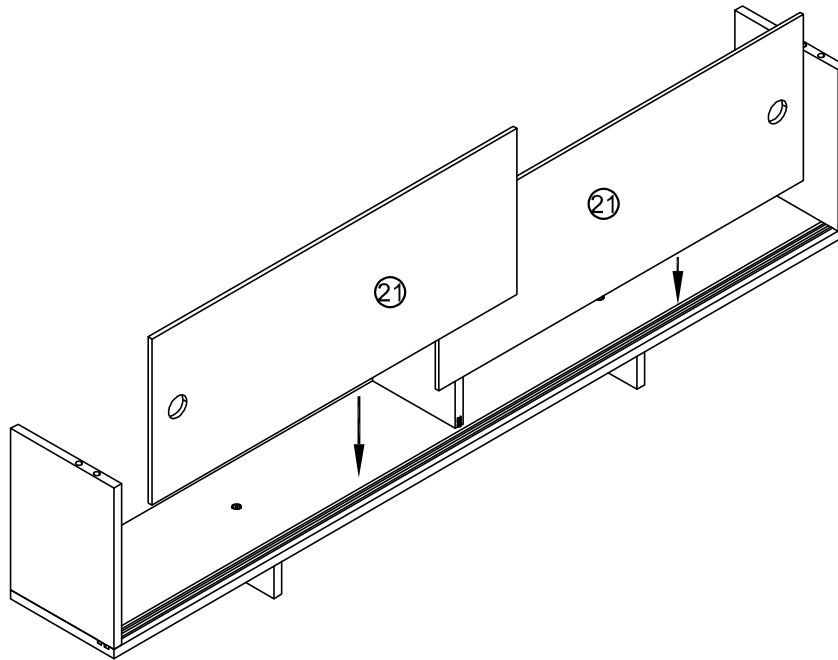


STEP 6:
ÉTAPE 6



A	B
	
1PC	6PCS

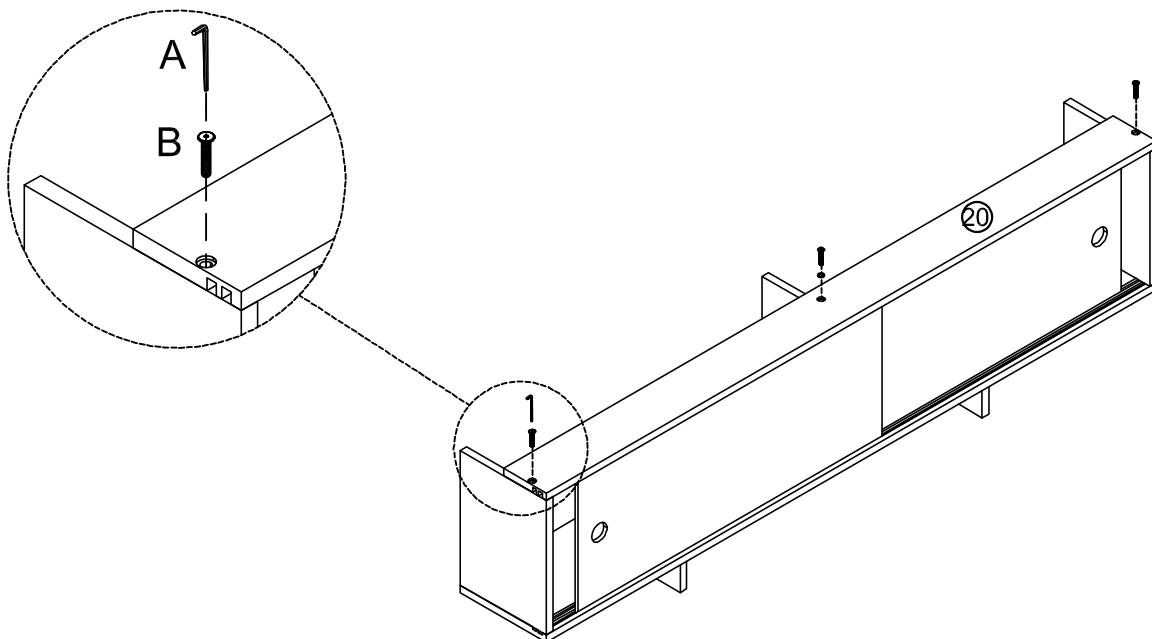


STEP 7:
ÉTAPE 7




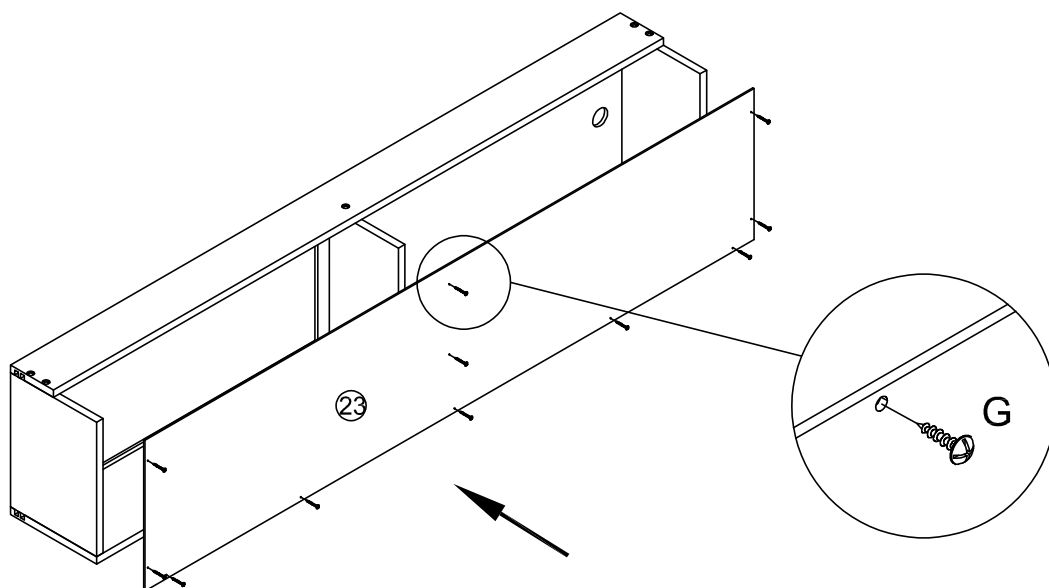
STEP 8:
ÉTAPE 8

A	B
	
1PC	3PCS





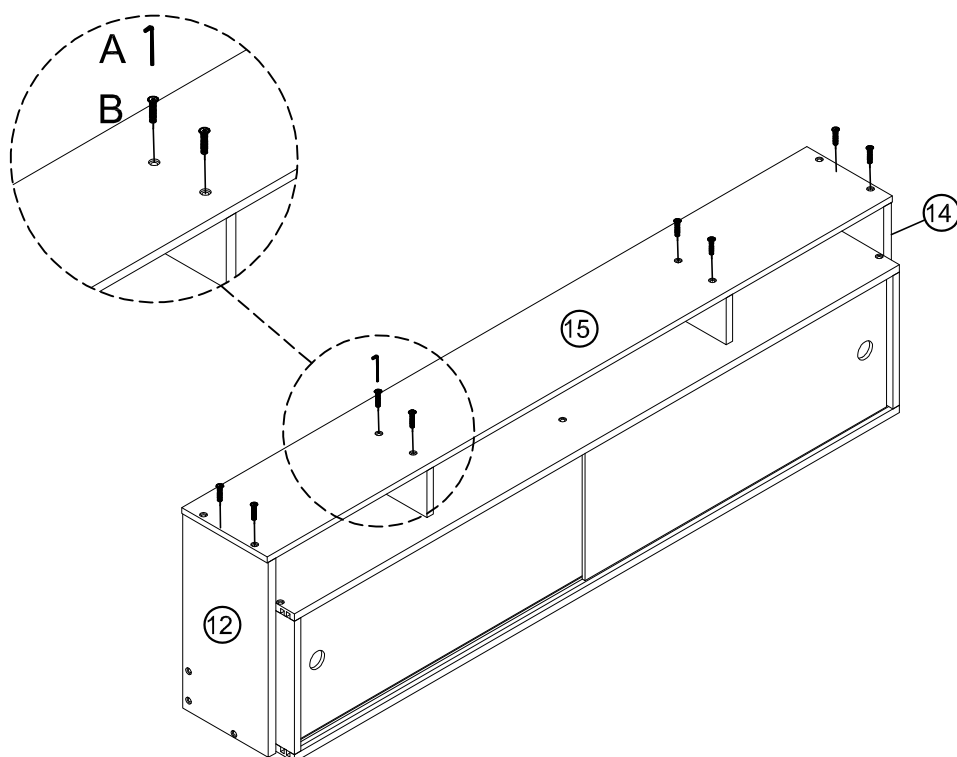
STEP 9:
ÉTAPE 9

G

11PCS






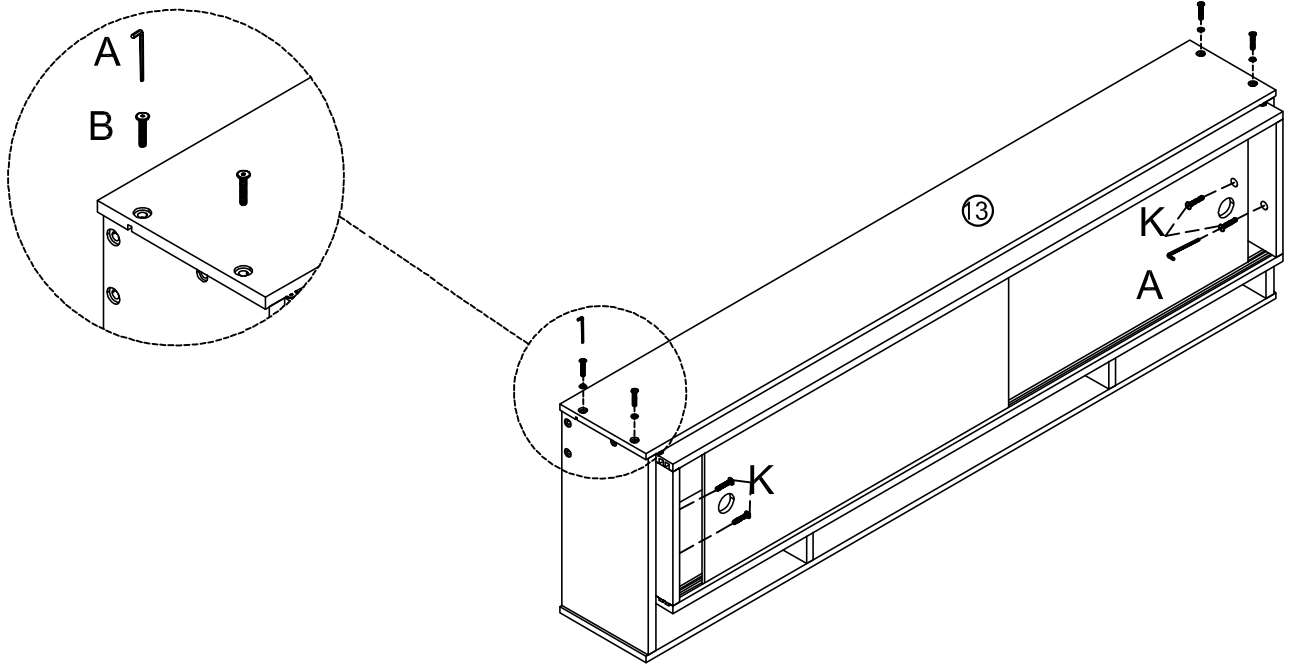
STEP 10:
ÉTAPE 10

A	B
	
1PC	8PCS






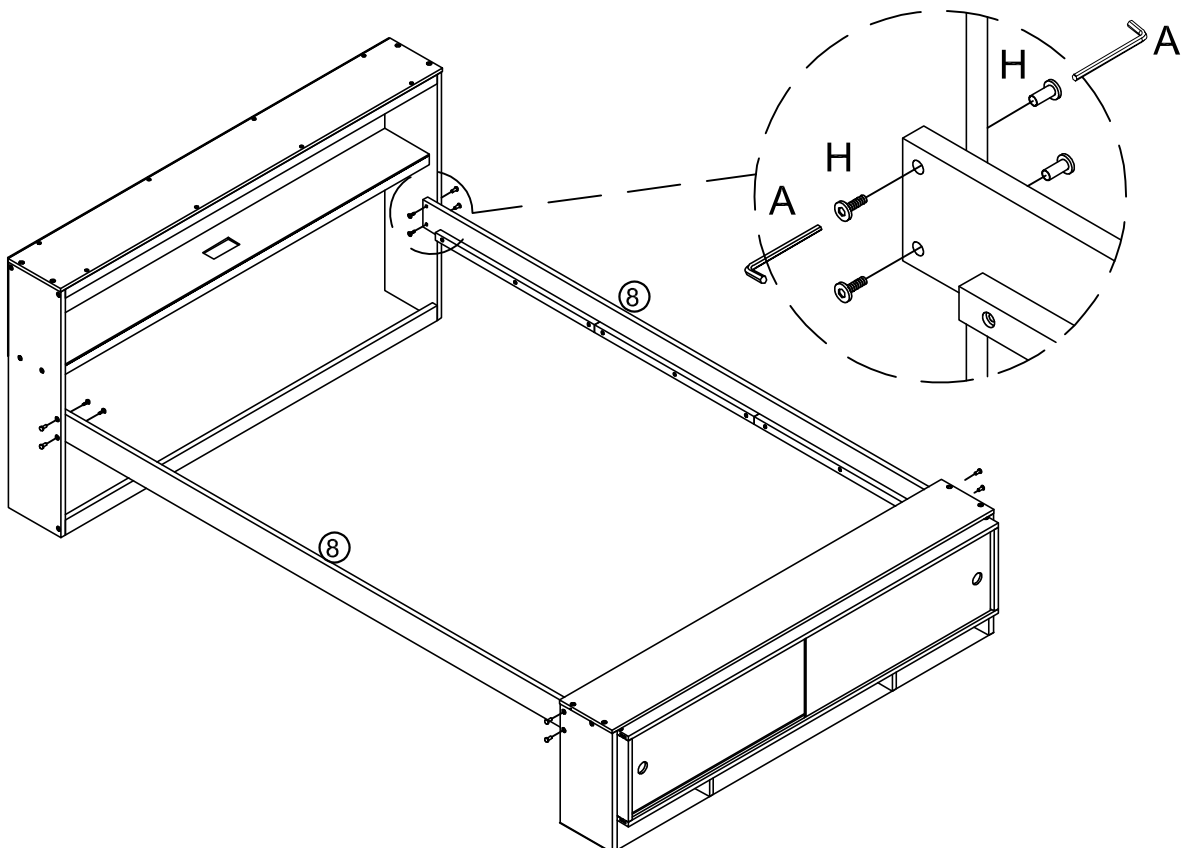
STEP 11:
ÉTAPE 11

K	A	B
		
4PCS	1PC	4PCS





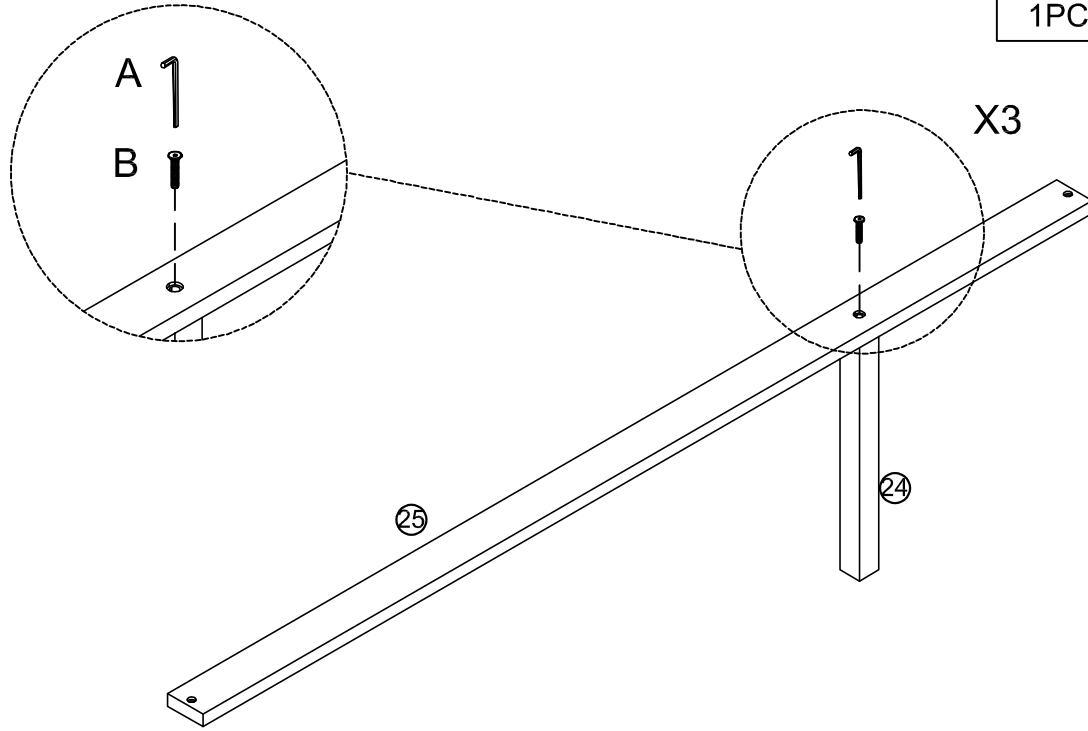
STEP 12:
ÉTAPE 12

A	H
	 
2PCS	8PCS




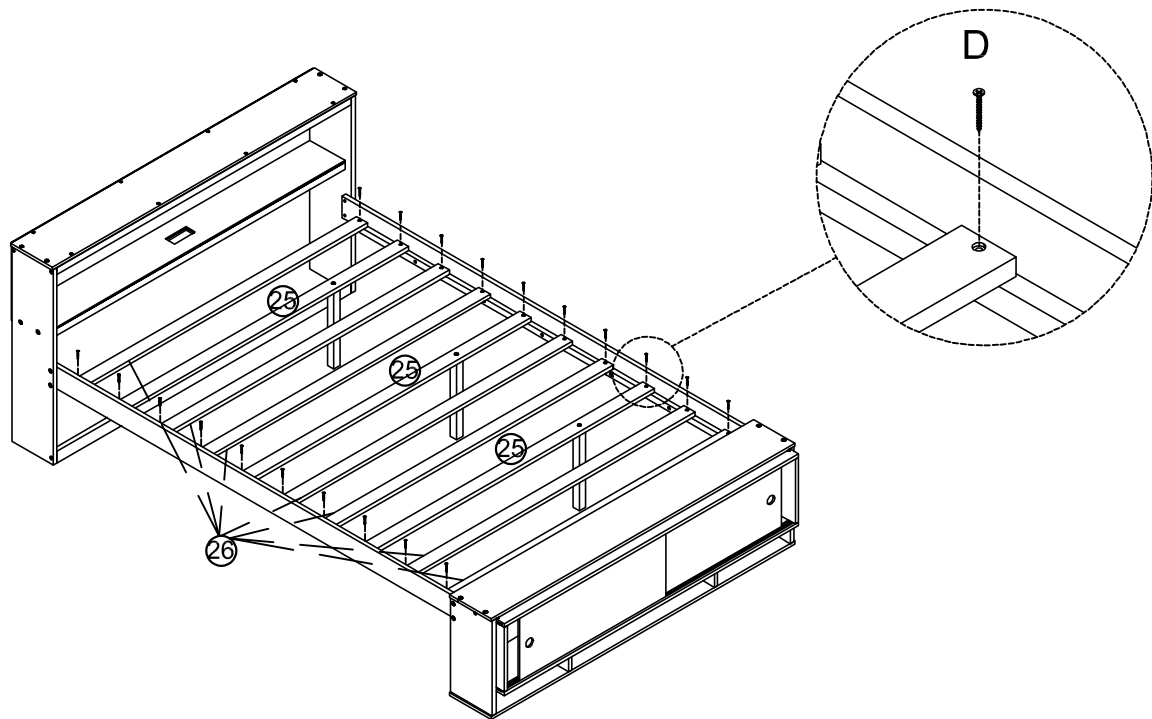
STEP 13:
ÉTAPE 13

A	B
	
1PC	3PCS

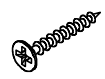



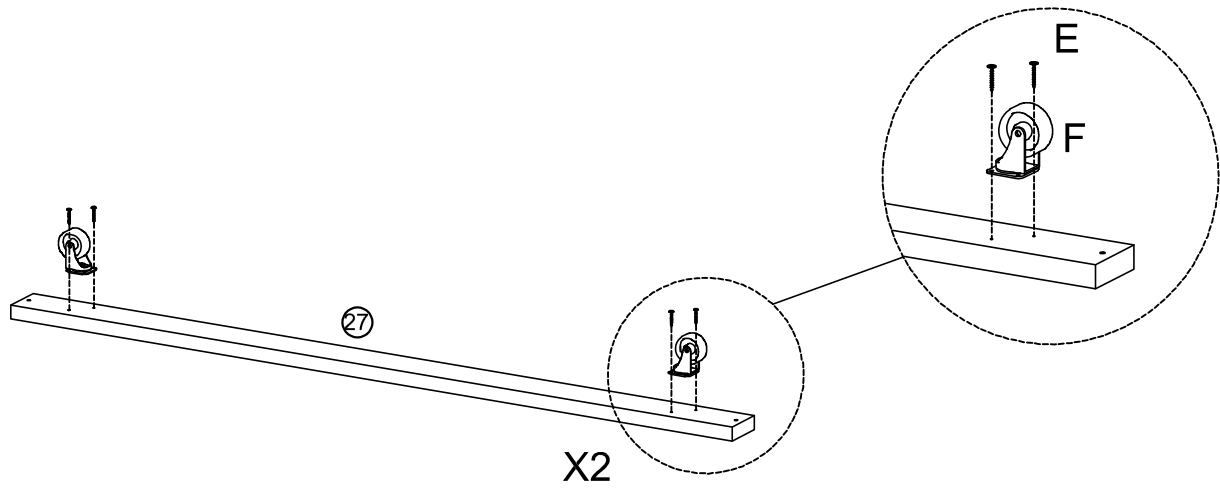
STEP 14:
ÉTAPE 14

D

20PCS

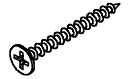


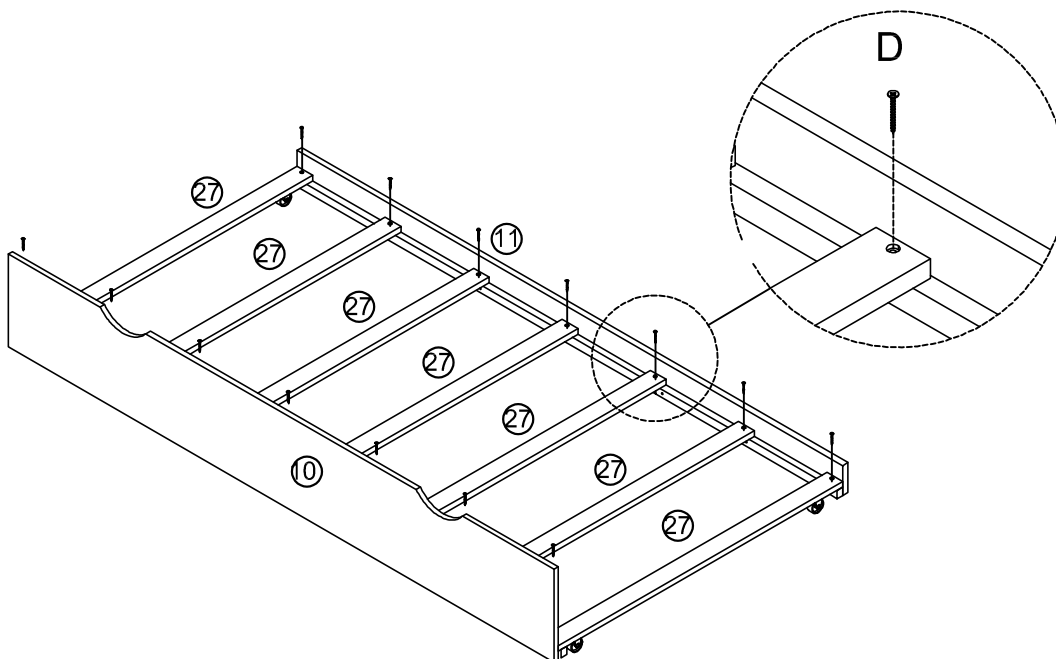
STEP 15:
ÉTAPE 15

E	F
	
8PCS	4PCS



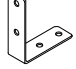


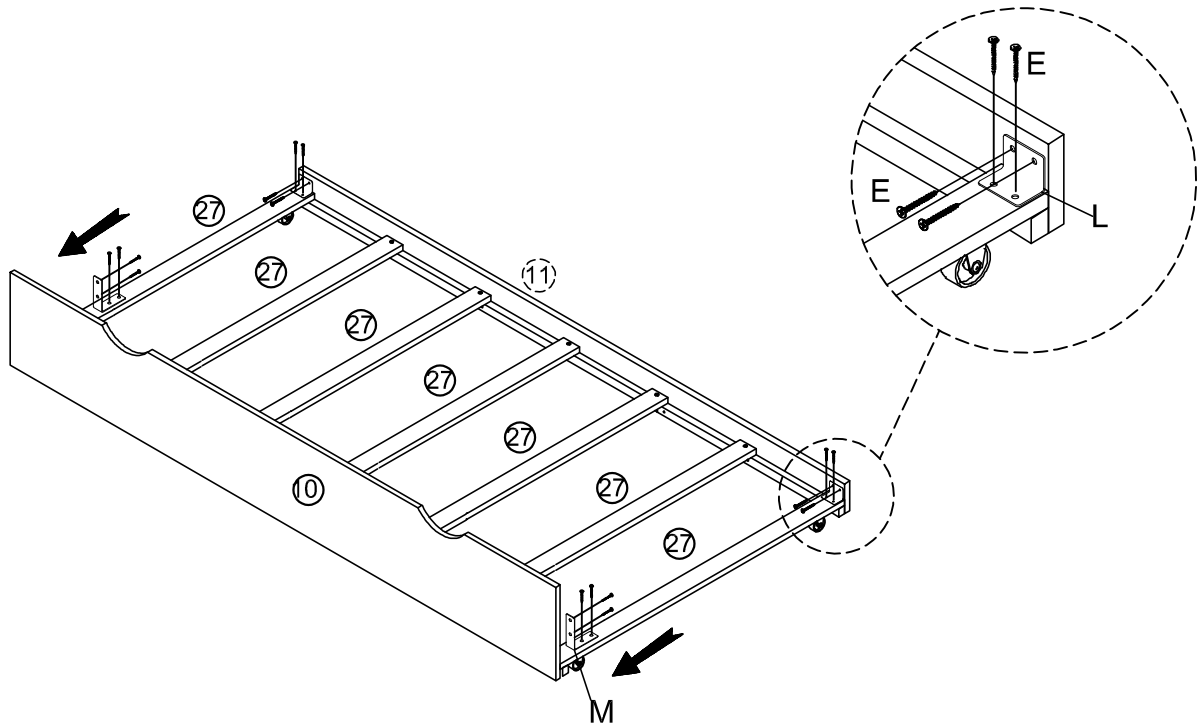
STEP 16:
ÉTAPE 16

D

14PCS


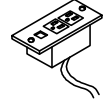


STEP 17:
ÉTAPE 17

E	L	M
		
16PCS	2PCS	2PCS



STEP 18:
ÉTAPE 18

G	C
	
2PCS	1PC

