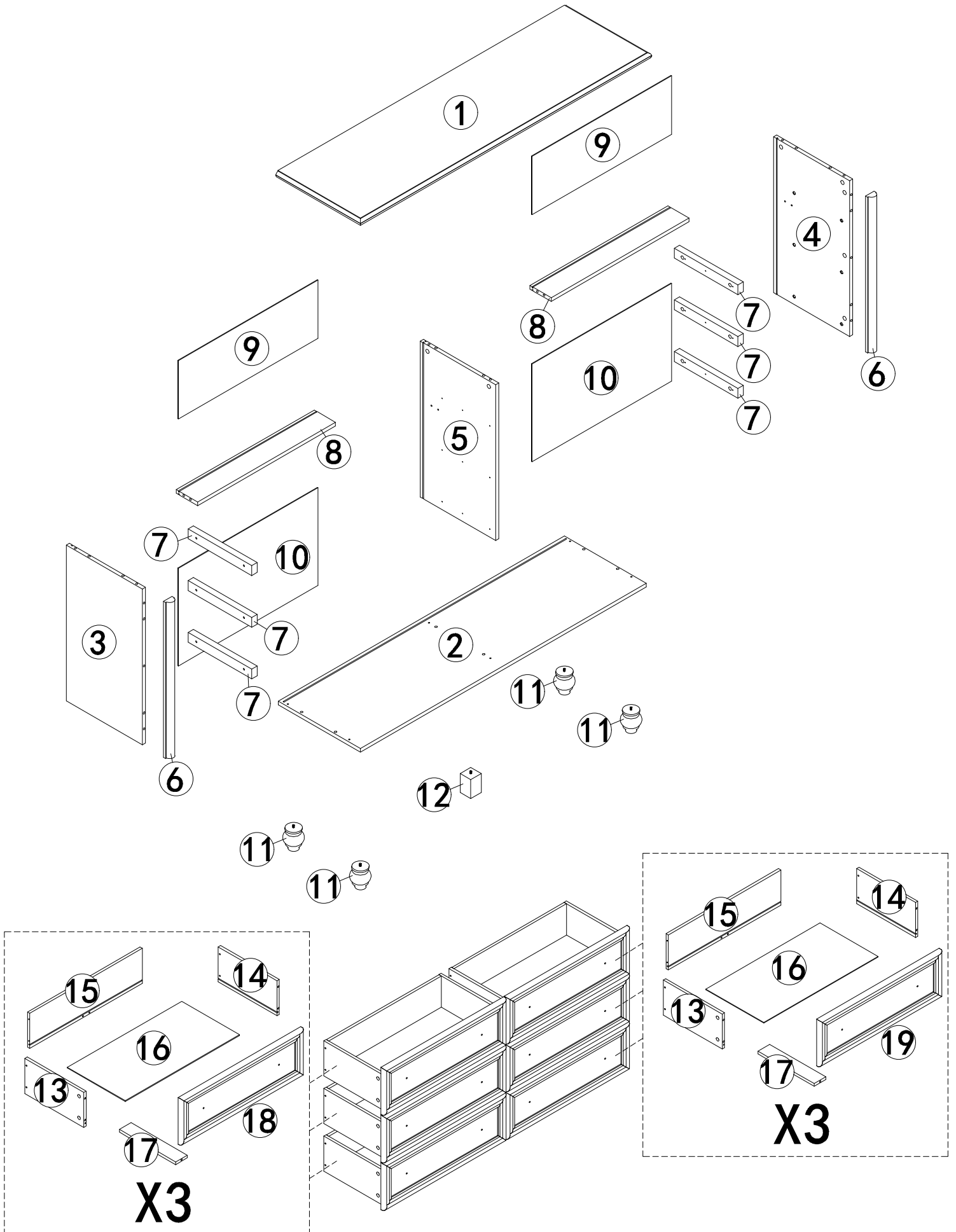


# Assembly Instructions

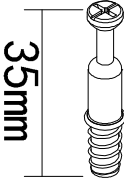

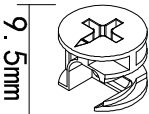

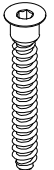
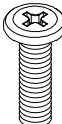
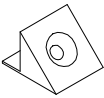
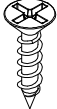
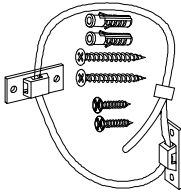

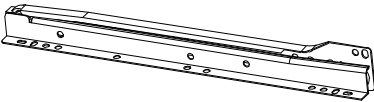


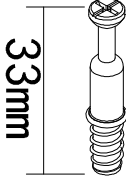

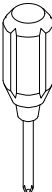


Instructions for use: The cabinet legs should be designed to avoid lateral stress. When moving, please lift vertically off the ground. Dragging may cause loose connectors, affecting stability and service life

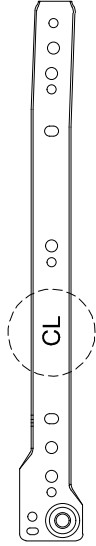
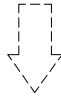
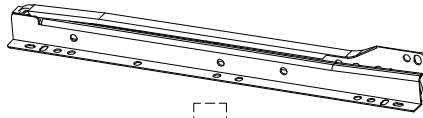
# PART LIST



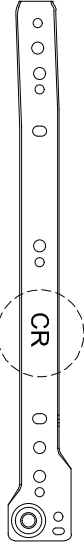
# HARDWARE LIST

<p><b>A</b></p>  <p>35mm</p> <p>Ø6x35mm (20+2)PCS</p>	<p><b>B</b></p>  <p>11.5mm</p> <p>Ø15x11.5mm (20+2)PCS</p>	<p><b>C</b></p>  <p>9.5mm</p> <p>Ø15x9.5mm (30+2)PCS</p>
<p><b>D</b></p>  <p>Ø8x30mm (16+2)PCS</p>	<p><b>E</b></p>  <p>Ø5x40mm (42+3)PCS</p>	<p><b>F</b></p>  <p>Ø6x25mm 12PCS</p>
<p><b>G</b></p>  <p>(16+2)PCS</p>	<p><b>H</b></p>  <p>Ø3x15mm (16+2)PCS</p>	<p><b>I</b></p>  <p>2SET</p>
<p><b>J</b></p>  <p>Ø3x12mm (72+5)PCS</p>	<p><b>K</b></p>  <p>6SET</p>	<p><b>L</b></p>  <p>12PCS</p>
<p><b>M</b></p>  <p>Ø4x12mm (12+1)PCS</p>	<p><b>N</b></p>  <p>33mm</p> <p>Ø6x33mm (30+2)PCS</p>	 <p>1PC</p>
 <p>1PC</p>		

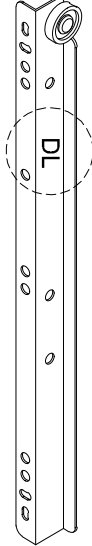
**! K X 6SET**



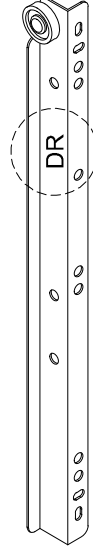
**CL**



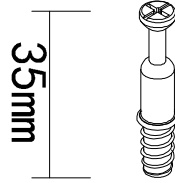
**CR**



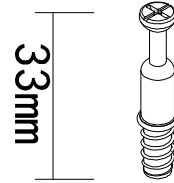
**DL**



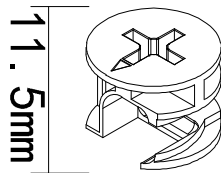
**DR**



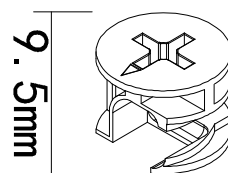
**A**



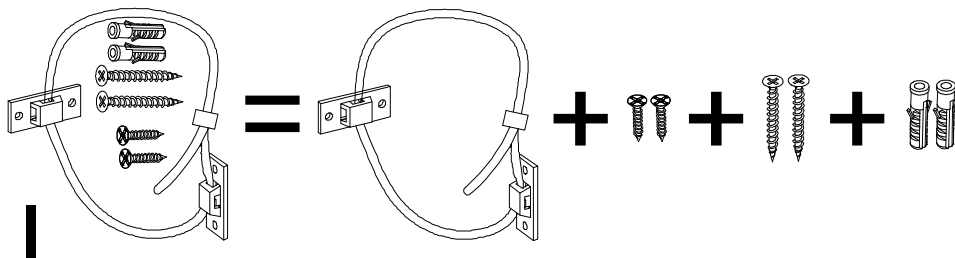
**N**



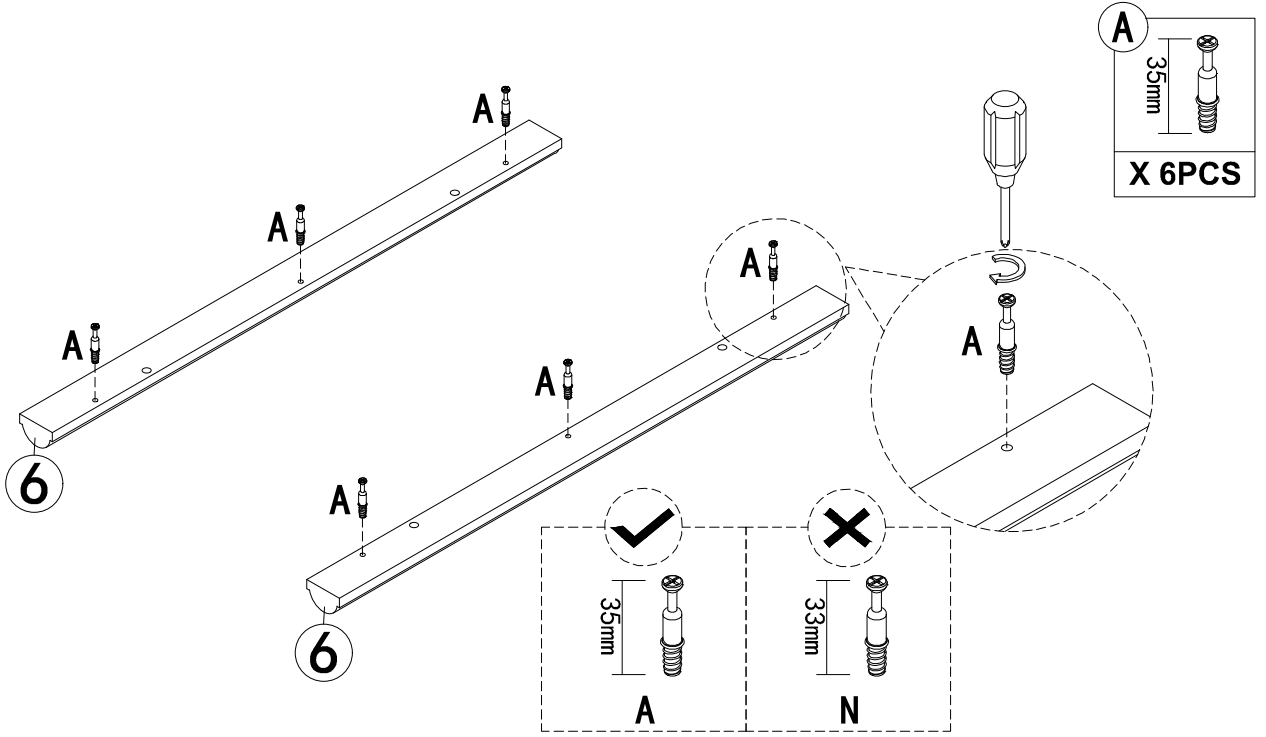
**B**



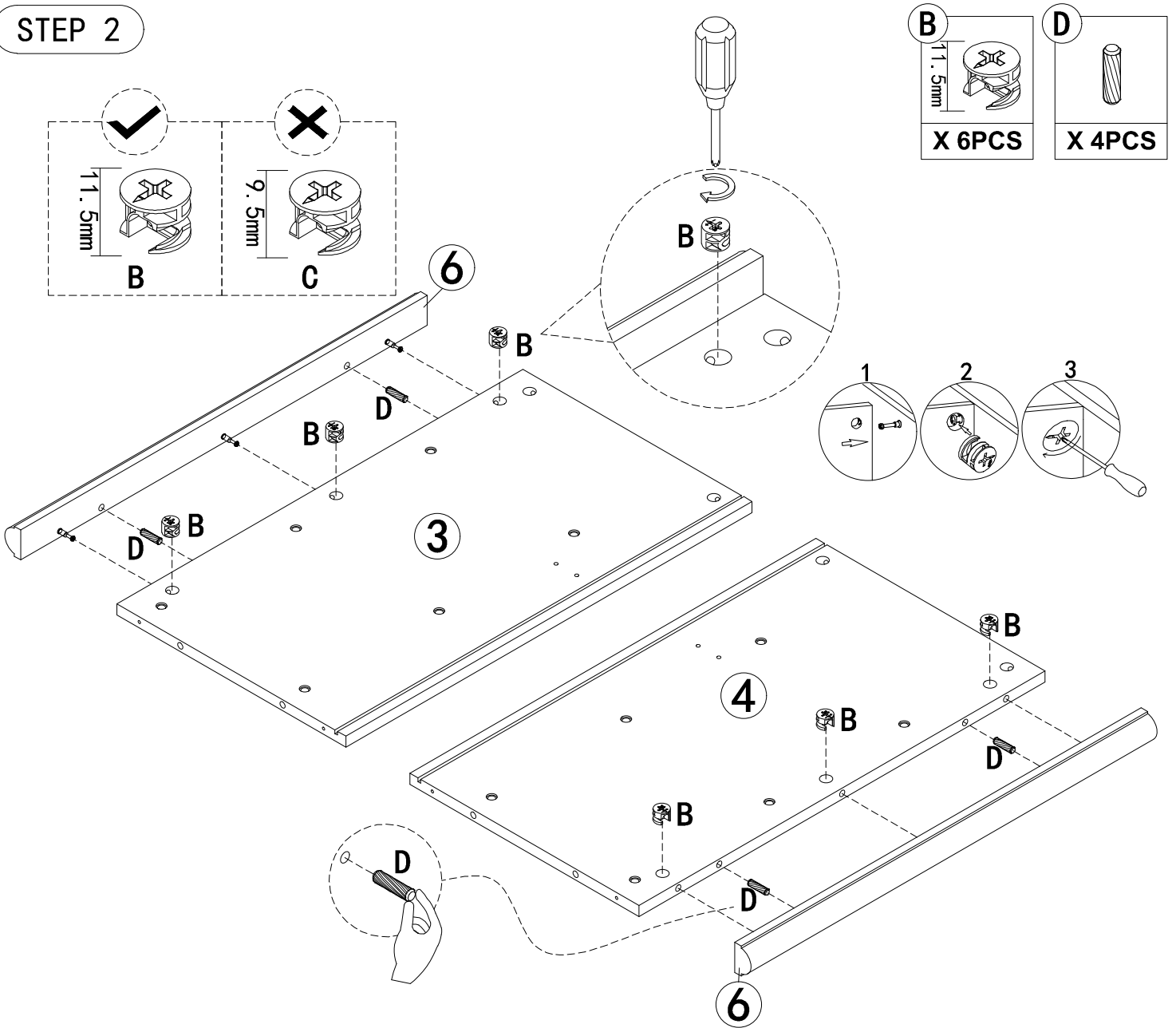
**C**



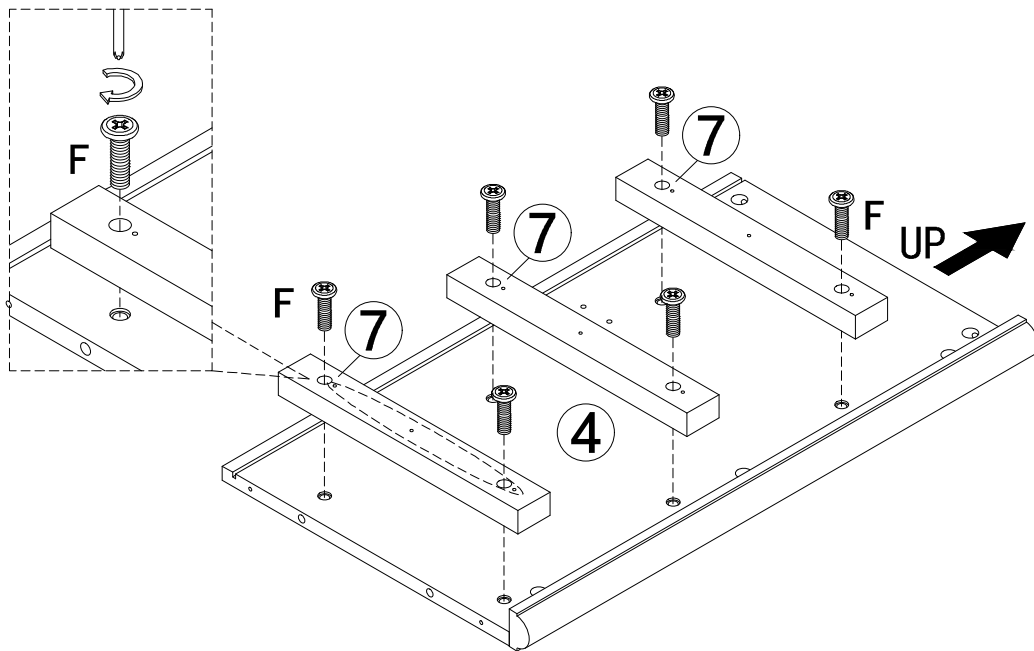
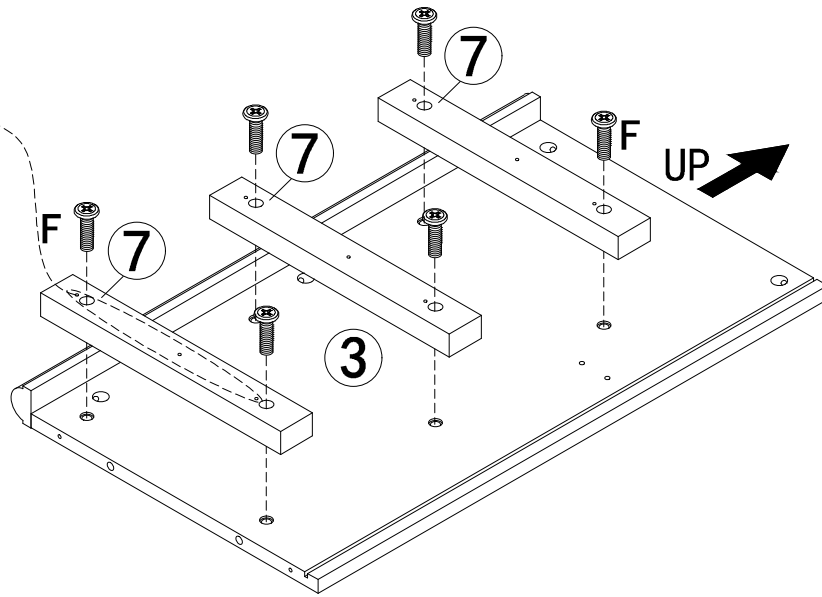
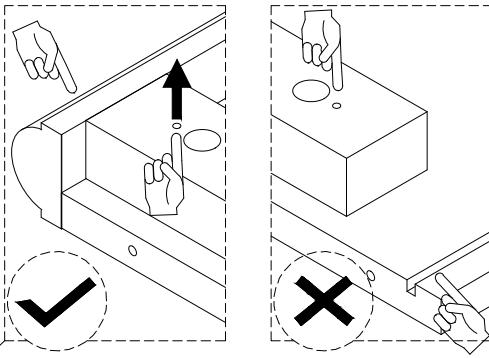
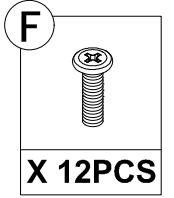
STEP 1



STEP 2

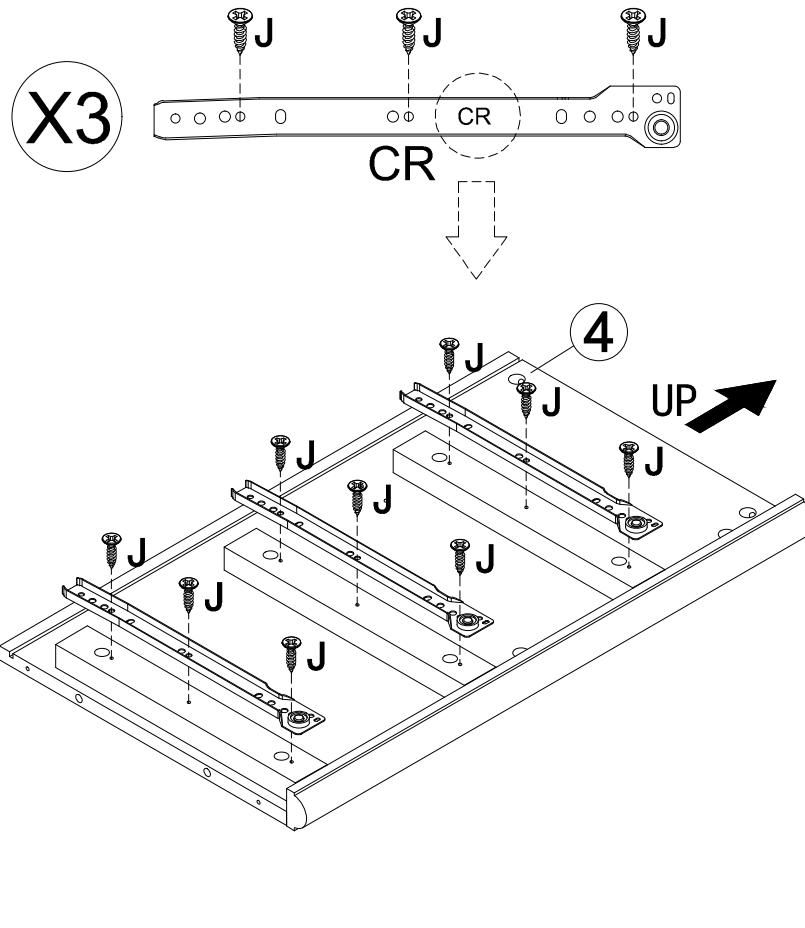
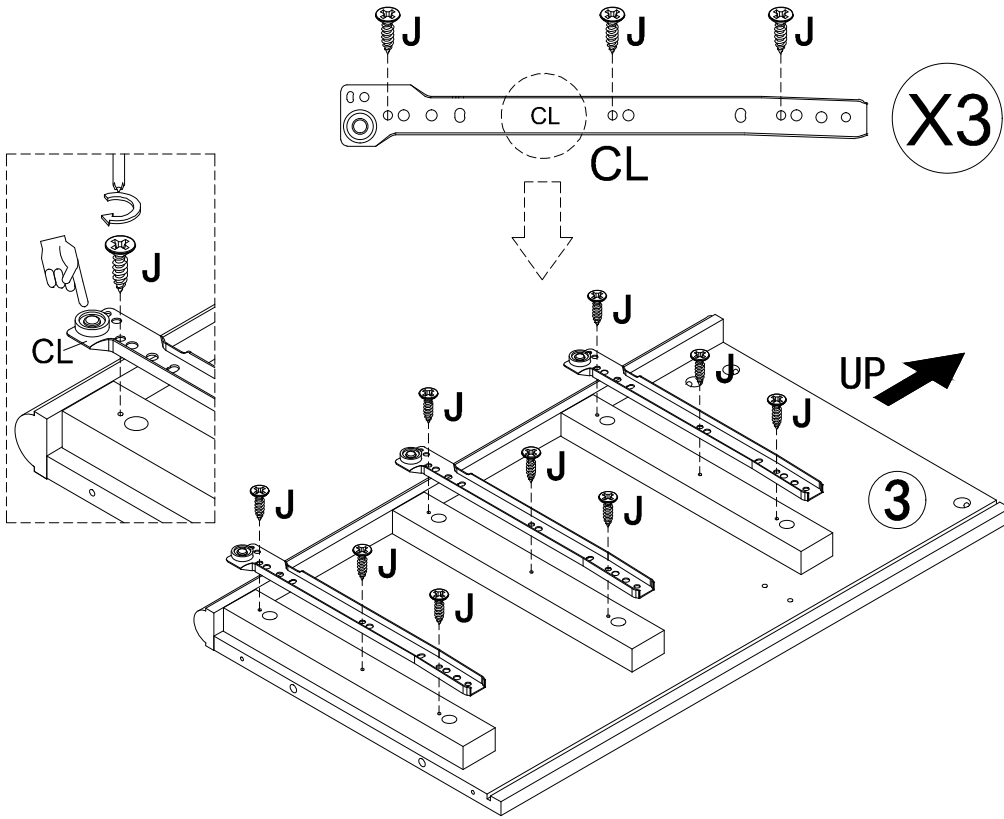


STEP 3

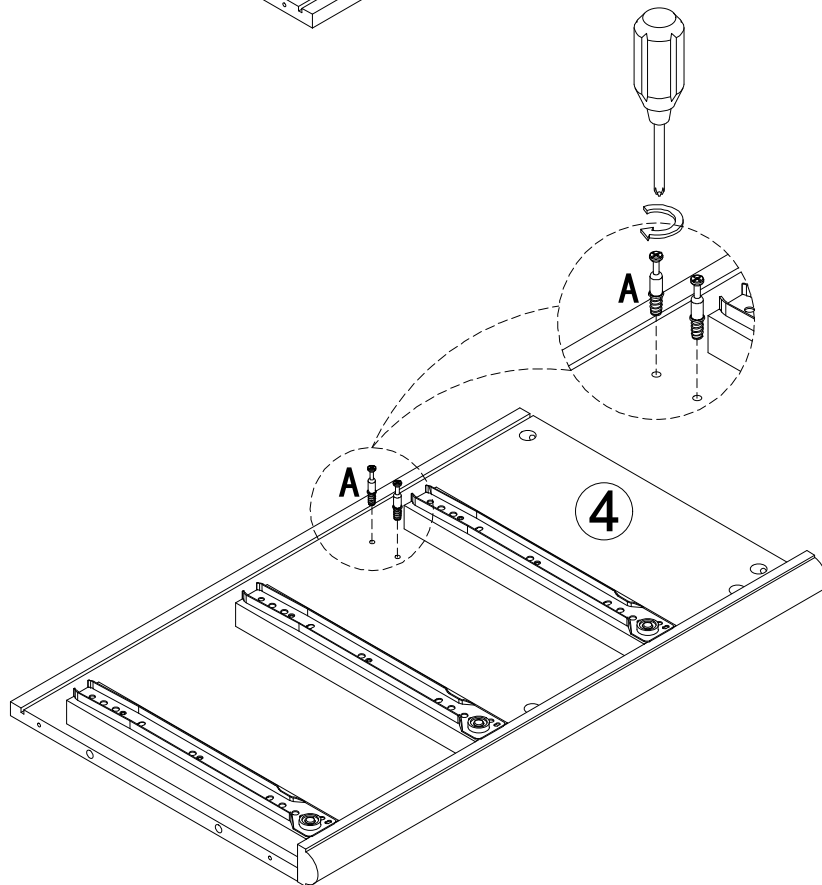
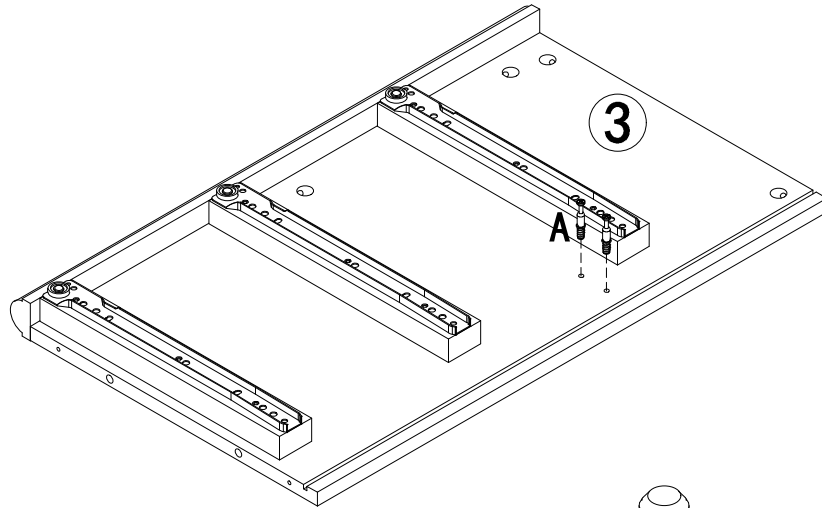
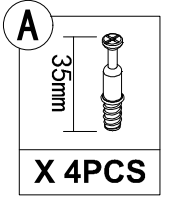
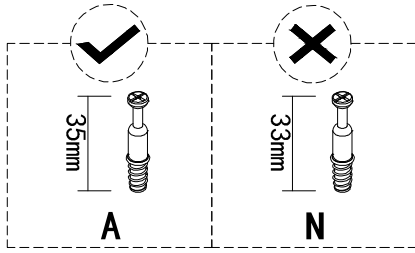


STEP 4

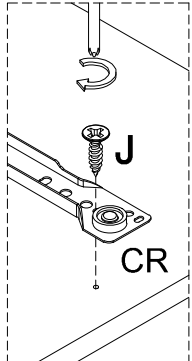
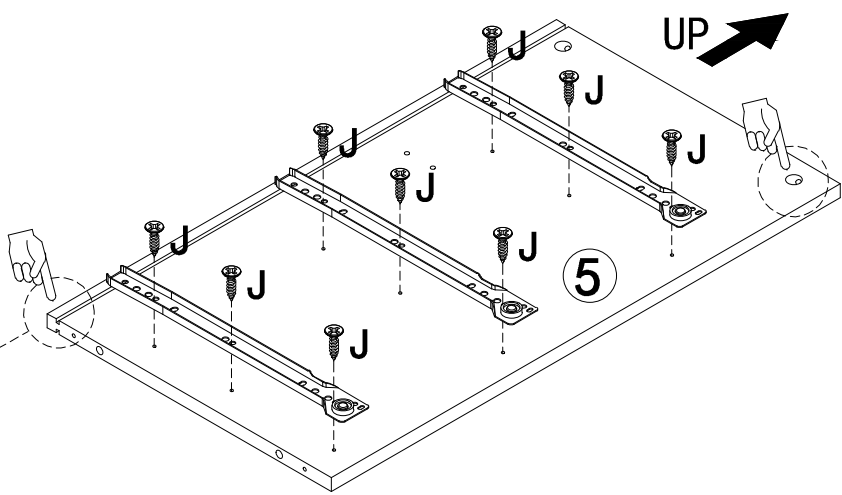
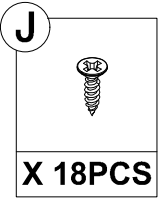
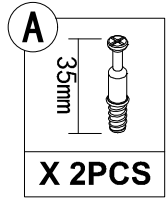
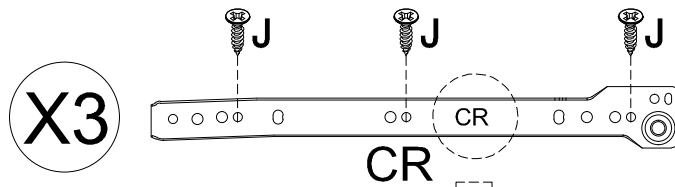
J  
X 18PCS



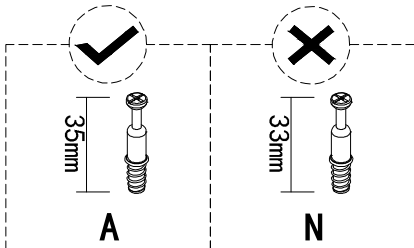
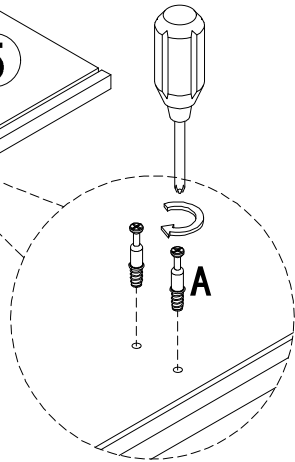
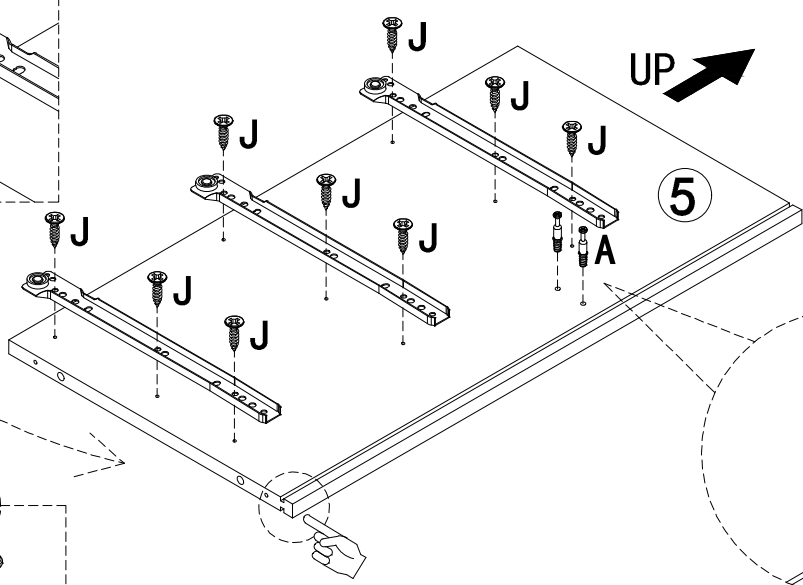
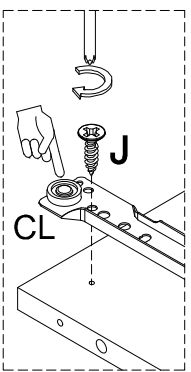
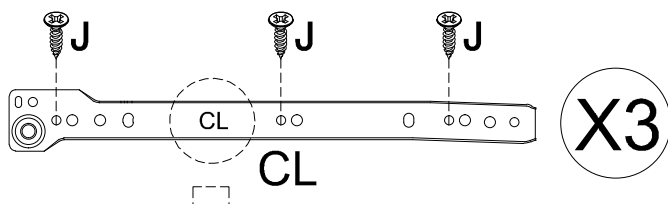
STEP 5




STEP 6

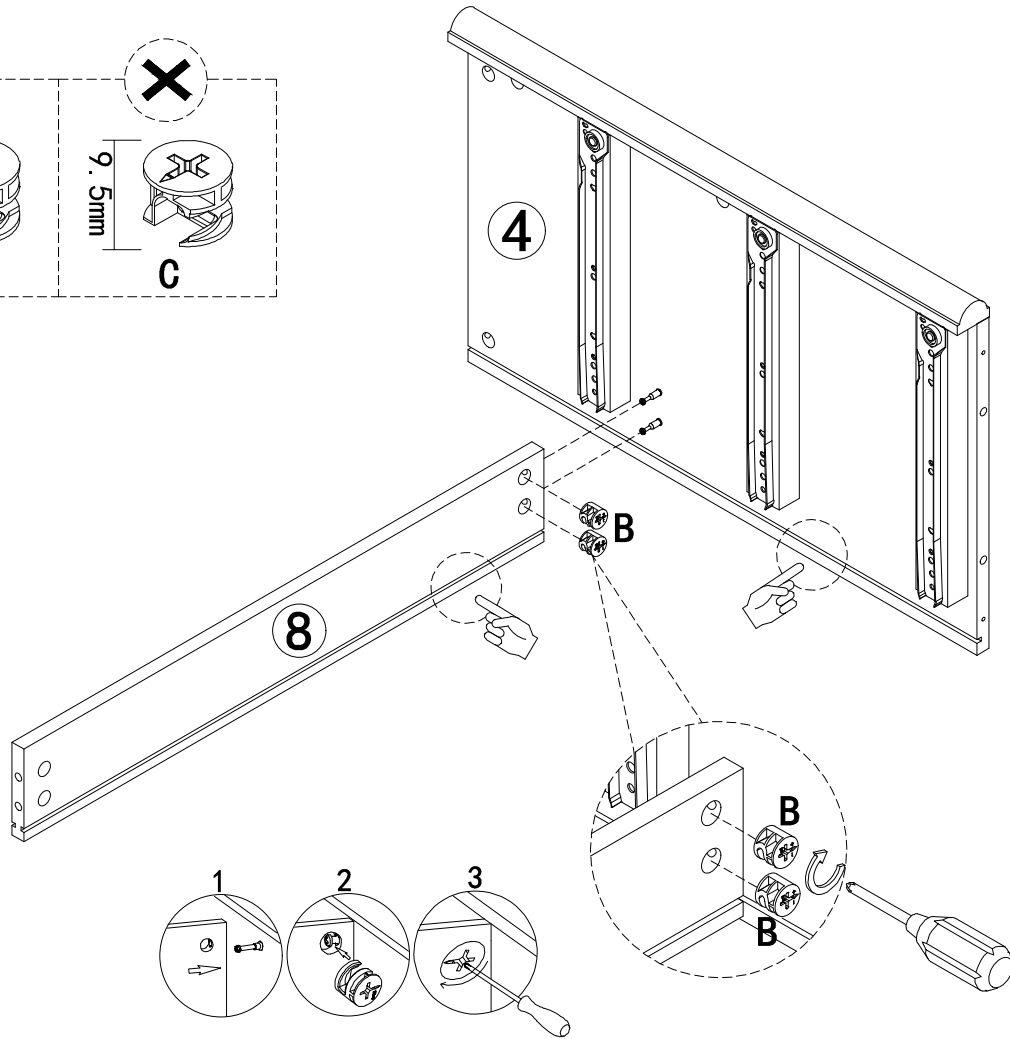
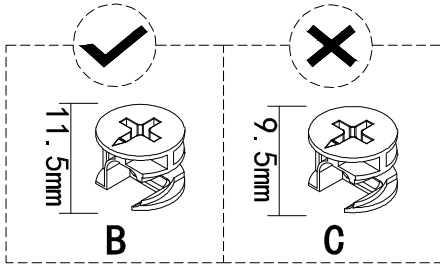


ROTATE 180°

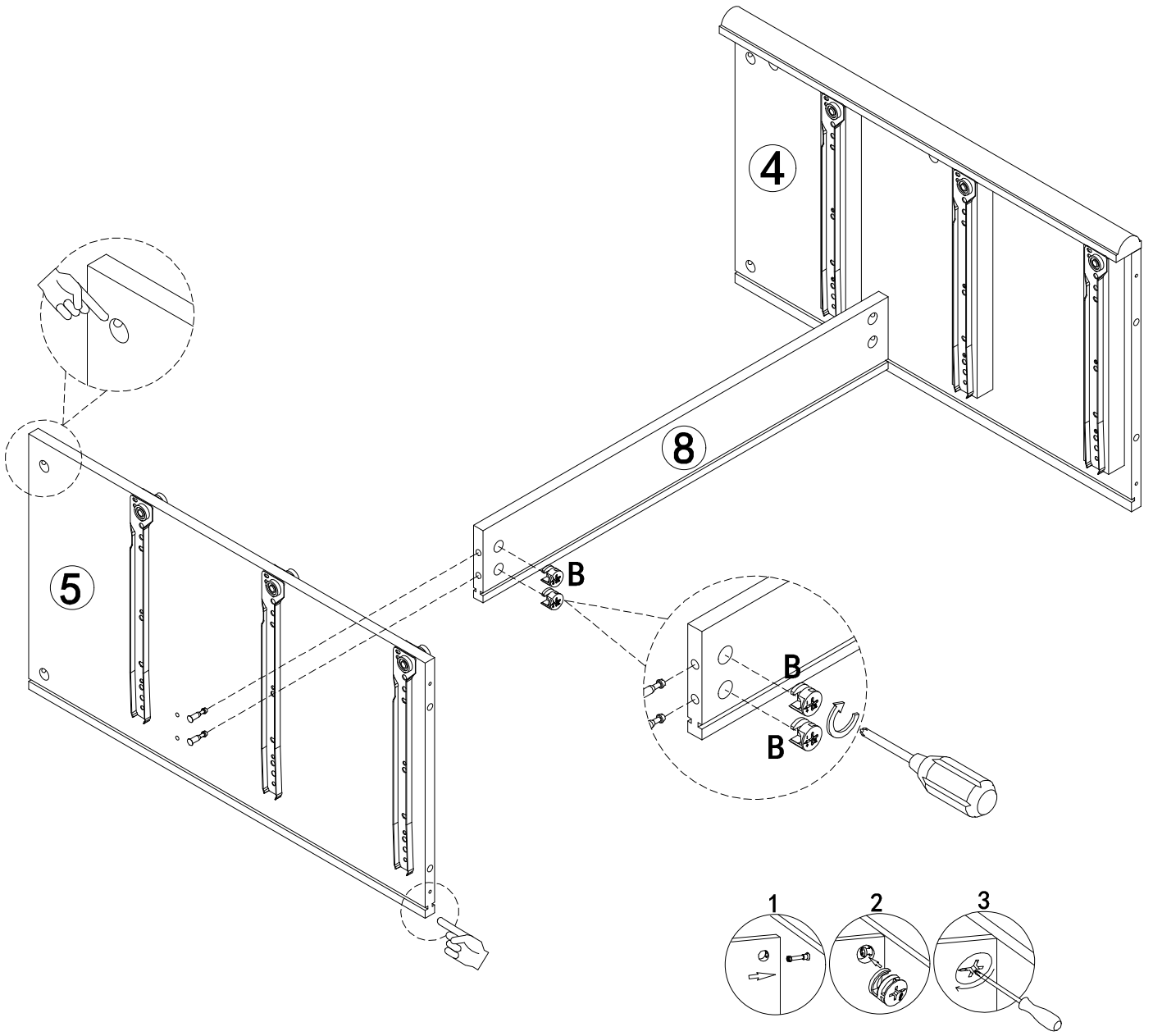
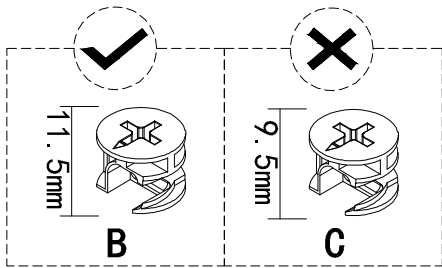
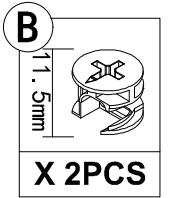


STEP 7

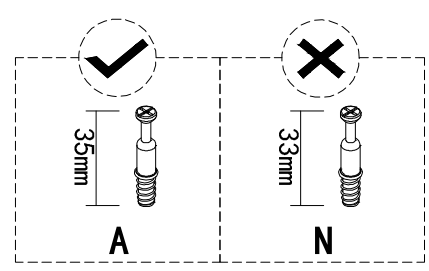
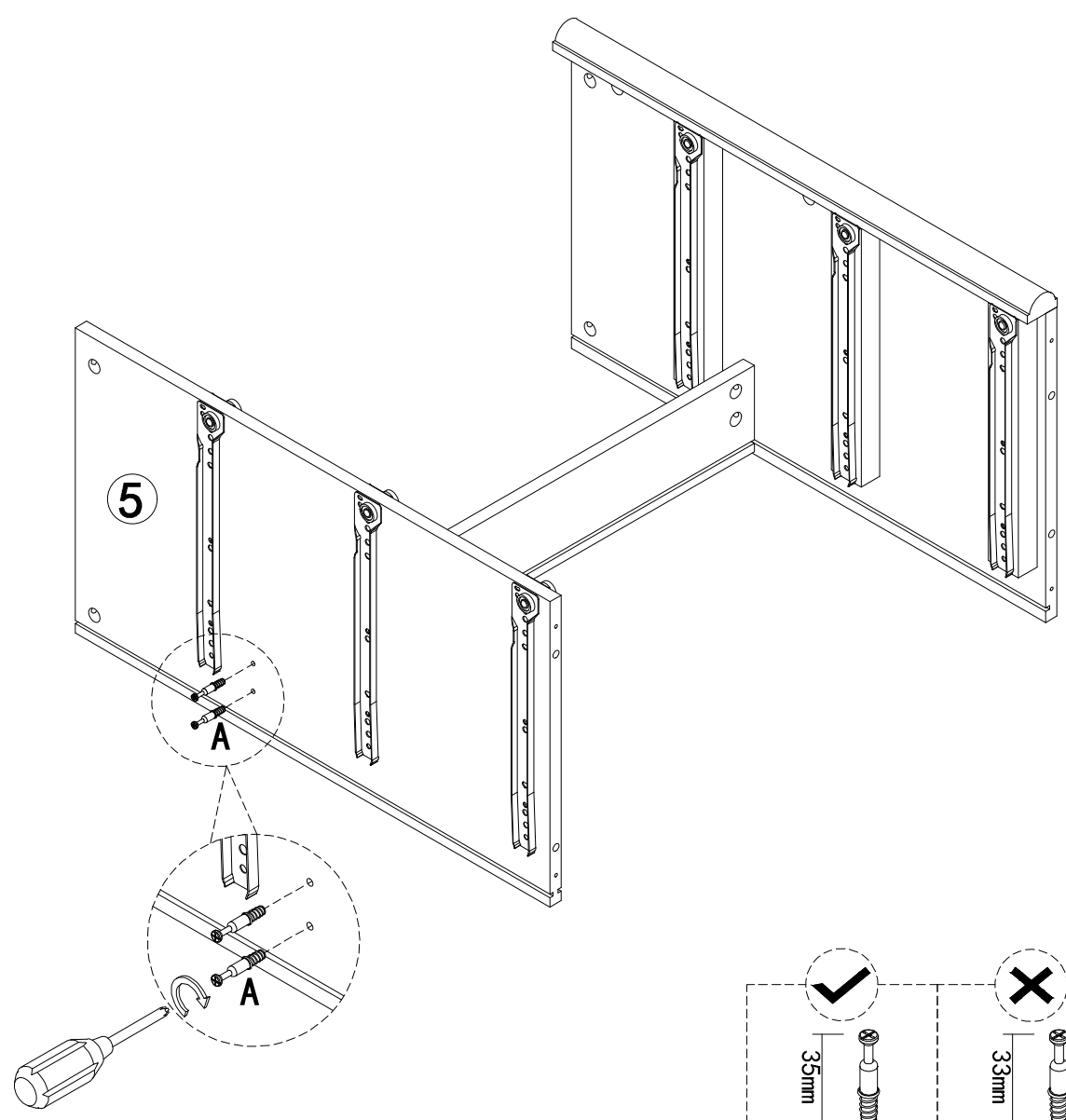
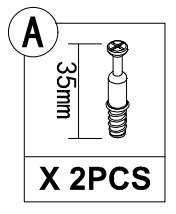
**B**  
11.5mm  
  
**X 2PCS**



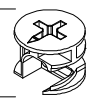
STEP 8

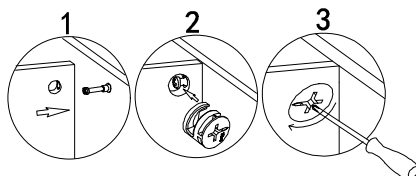
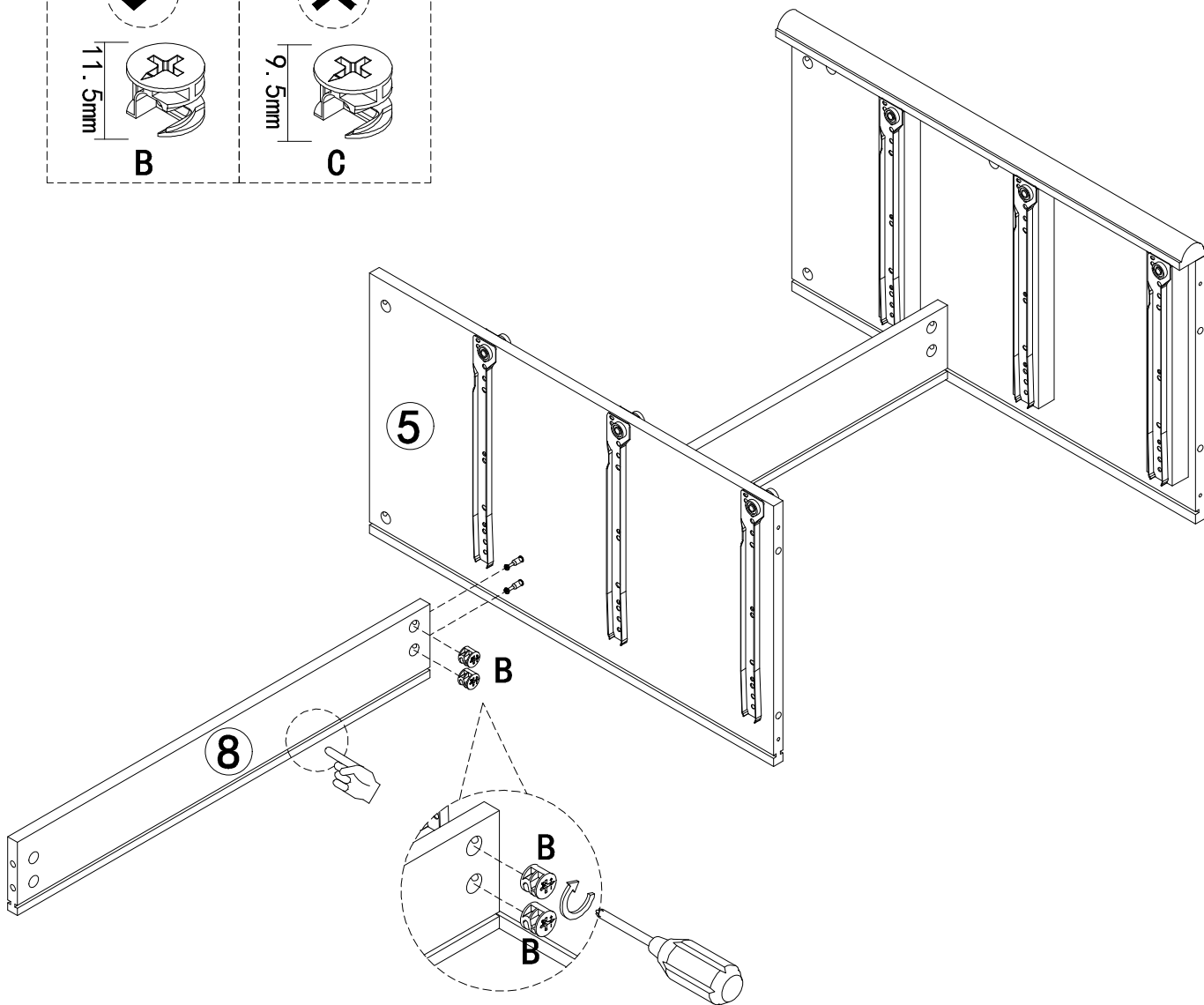
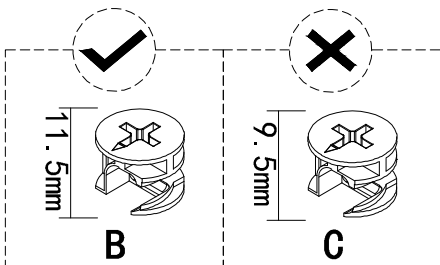


STEP 9

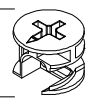


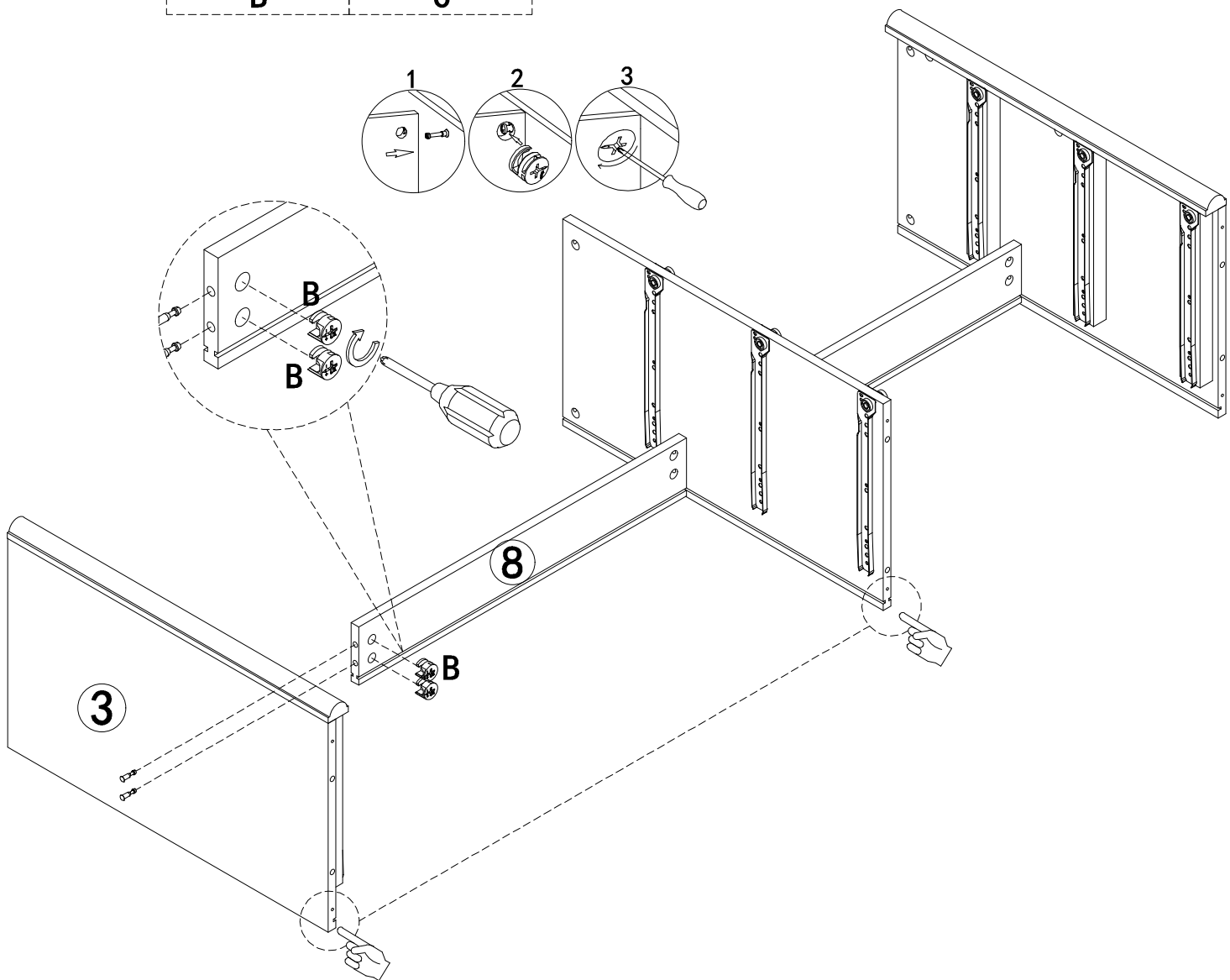
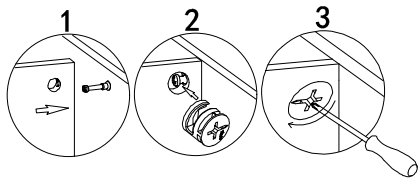
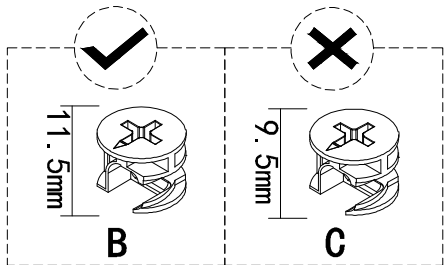
STEP 10

**B**  
11.5mm  
  
**X 2PCS**

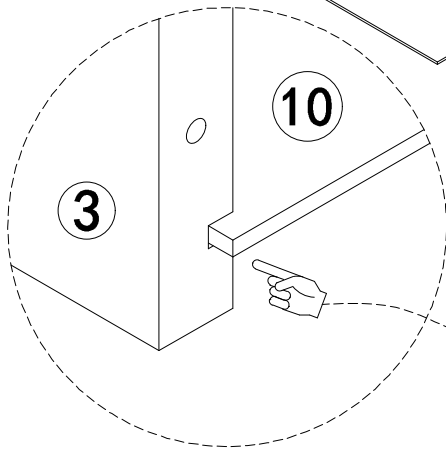
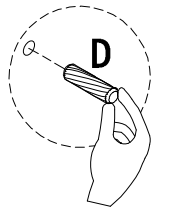
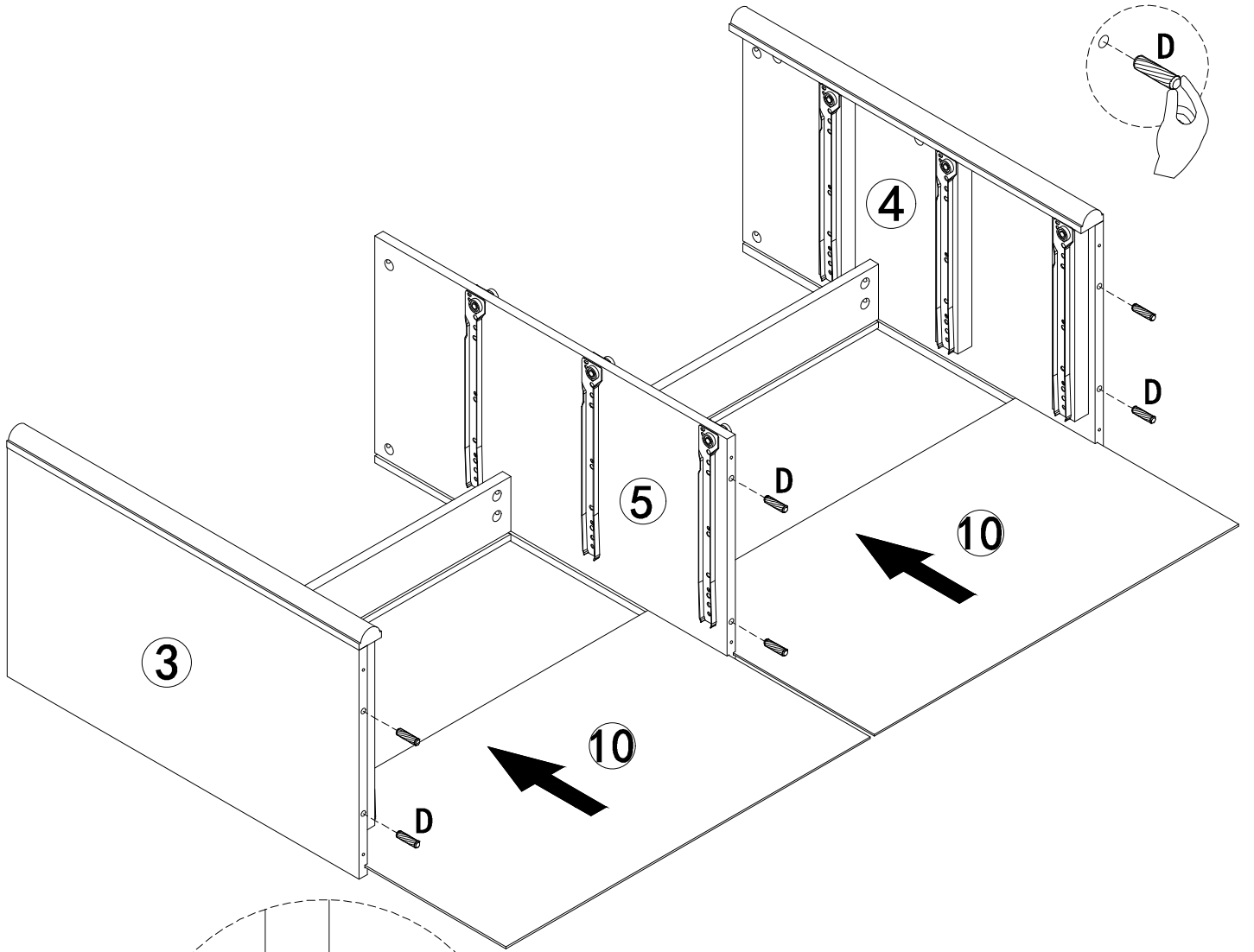
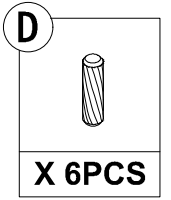


STEP 11

**B**  
11.5mm  
  
**X 2PCS**

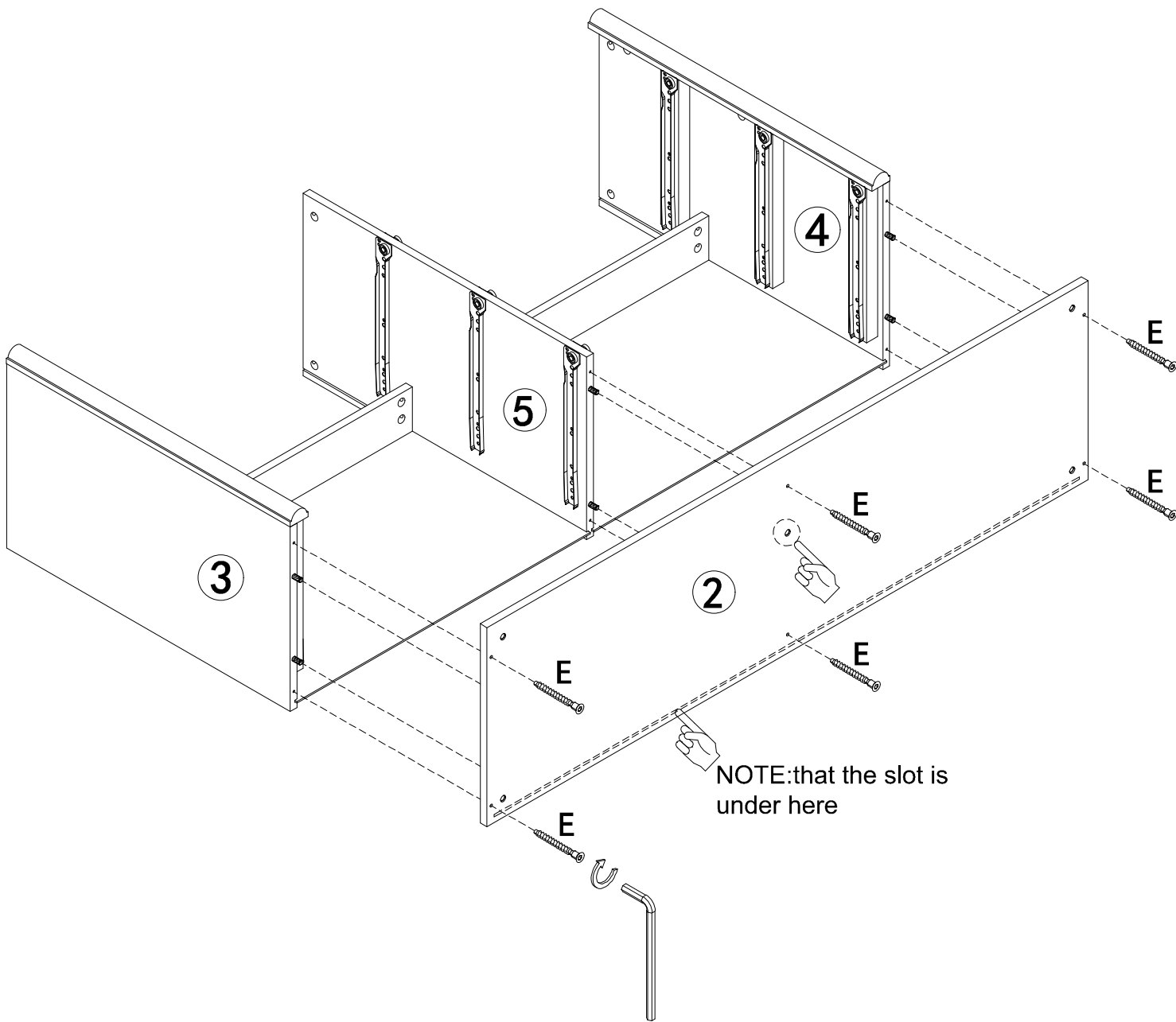
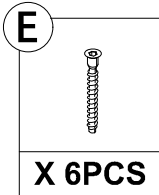


STEP 12

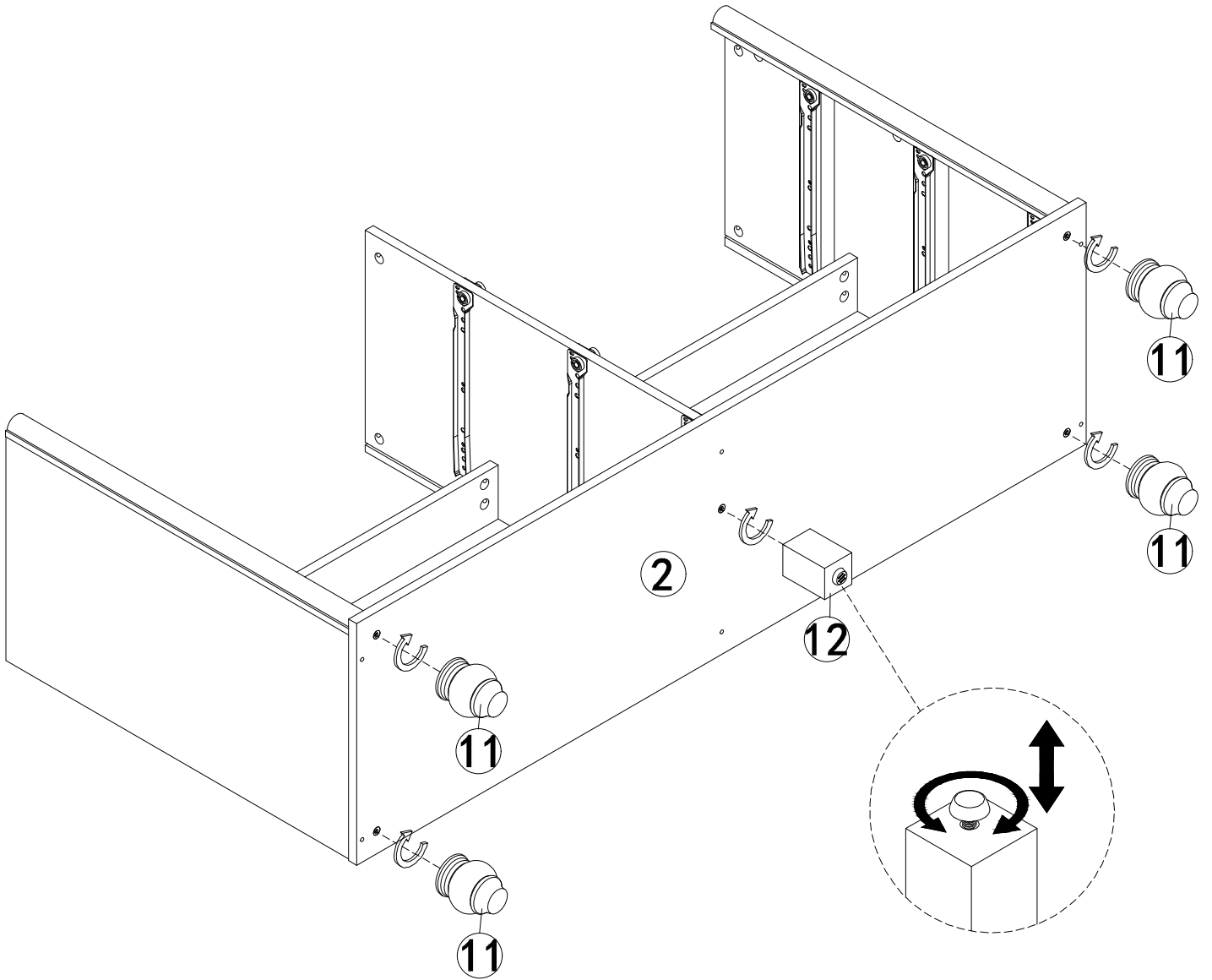


NOTE:#10 must be inserted in place

STEP 13




STEP 14

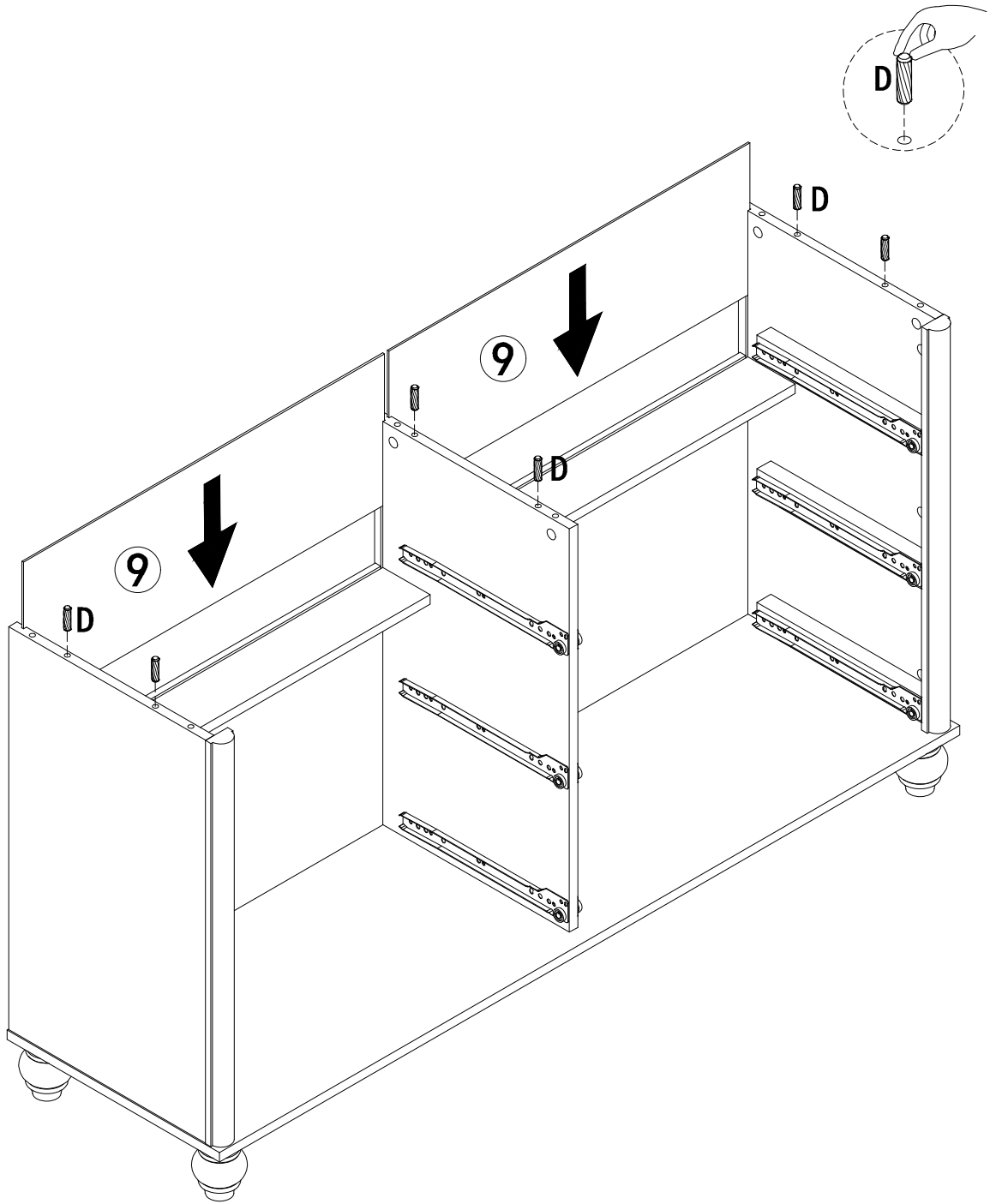


STEP 15

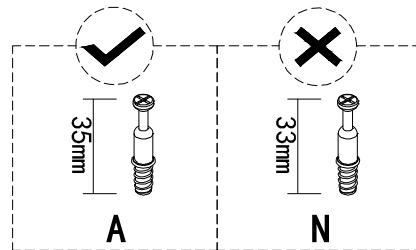
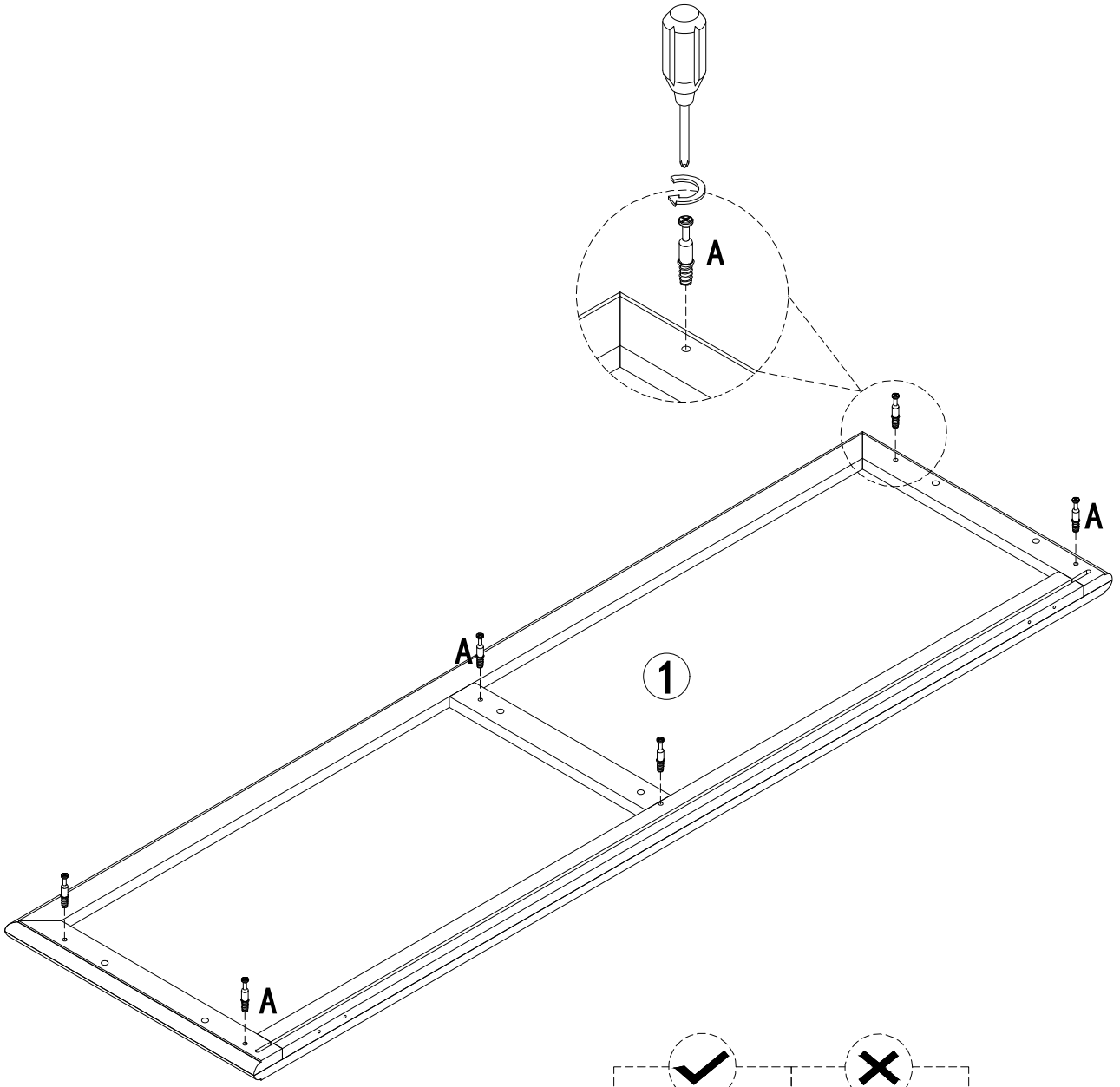
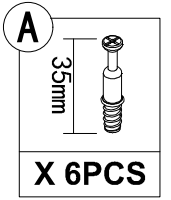
**D**



**X 6PCS**

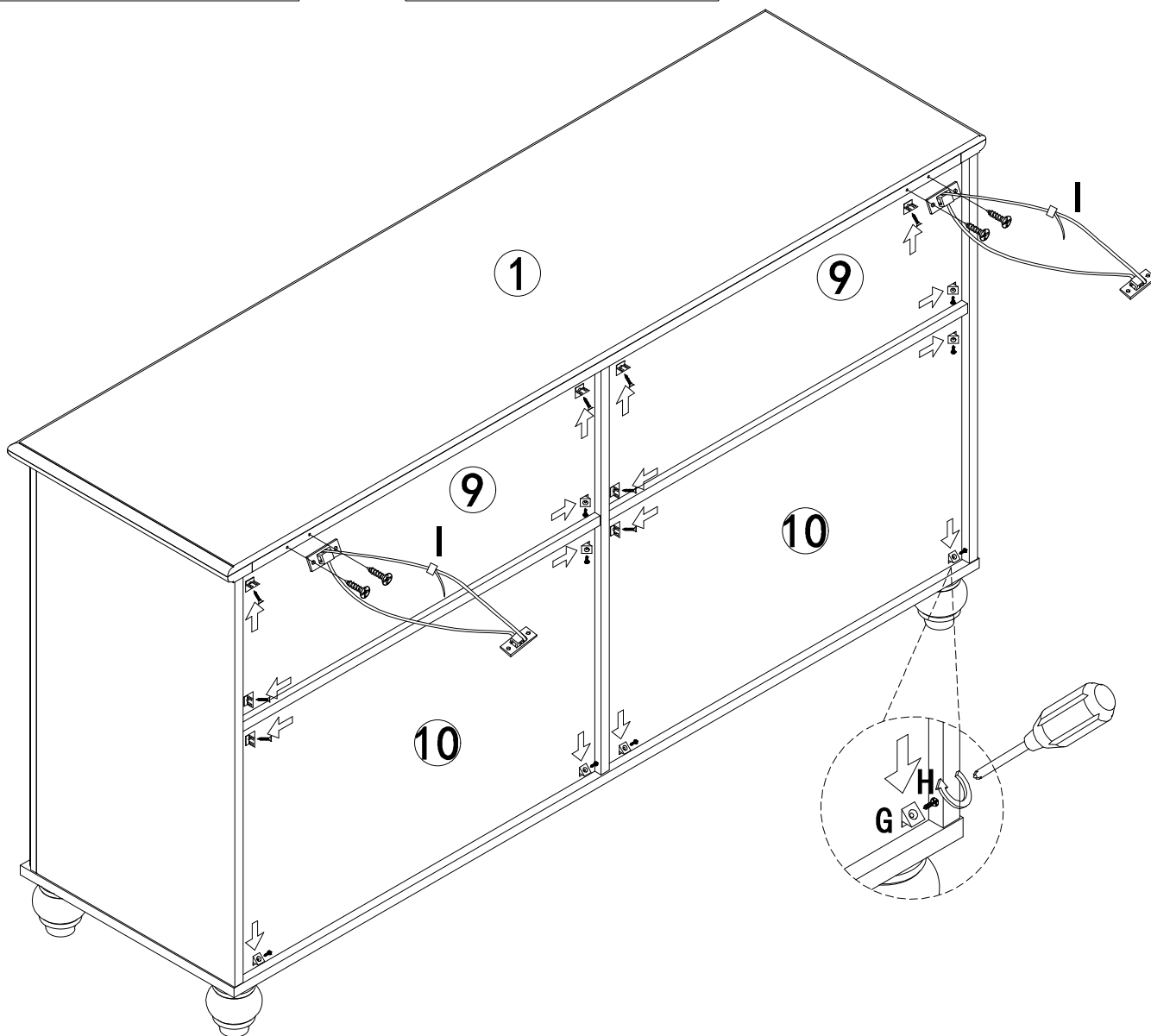
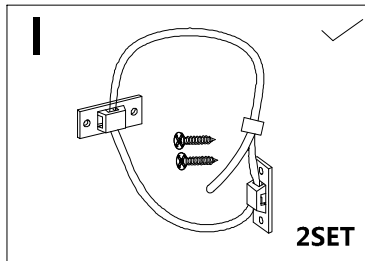
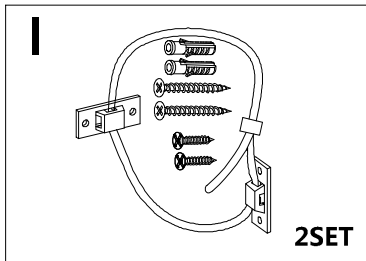
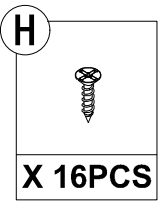
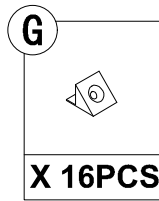
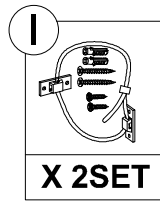


STEP 16

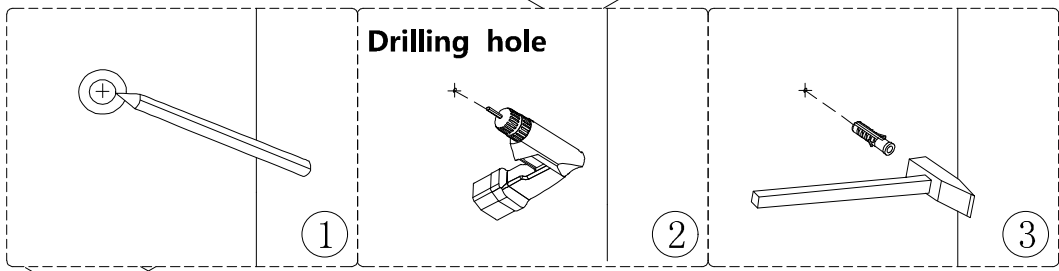




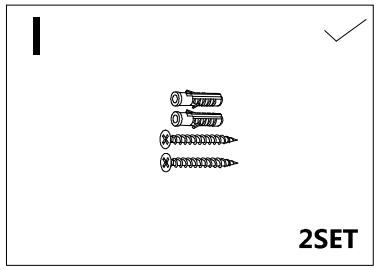
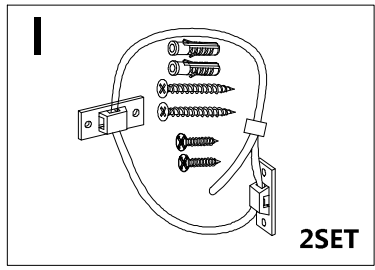
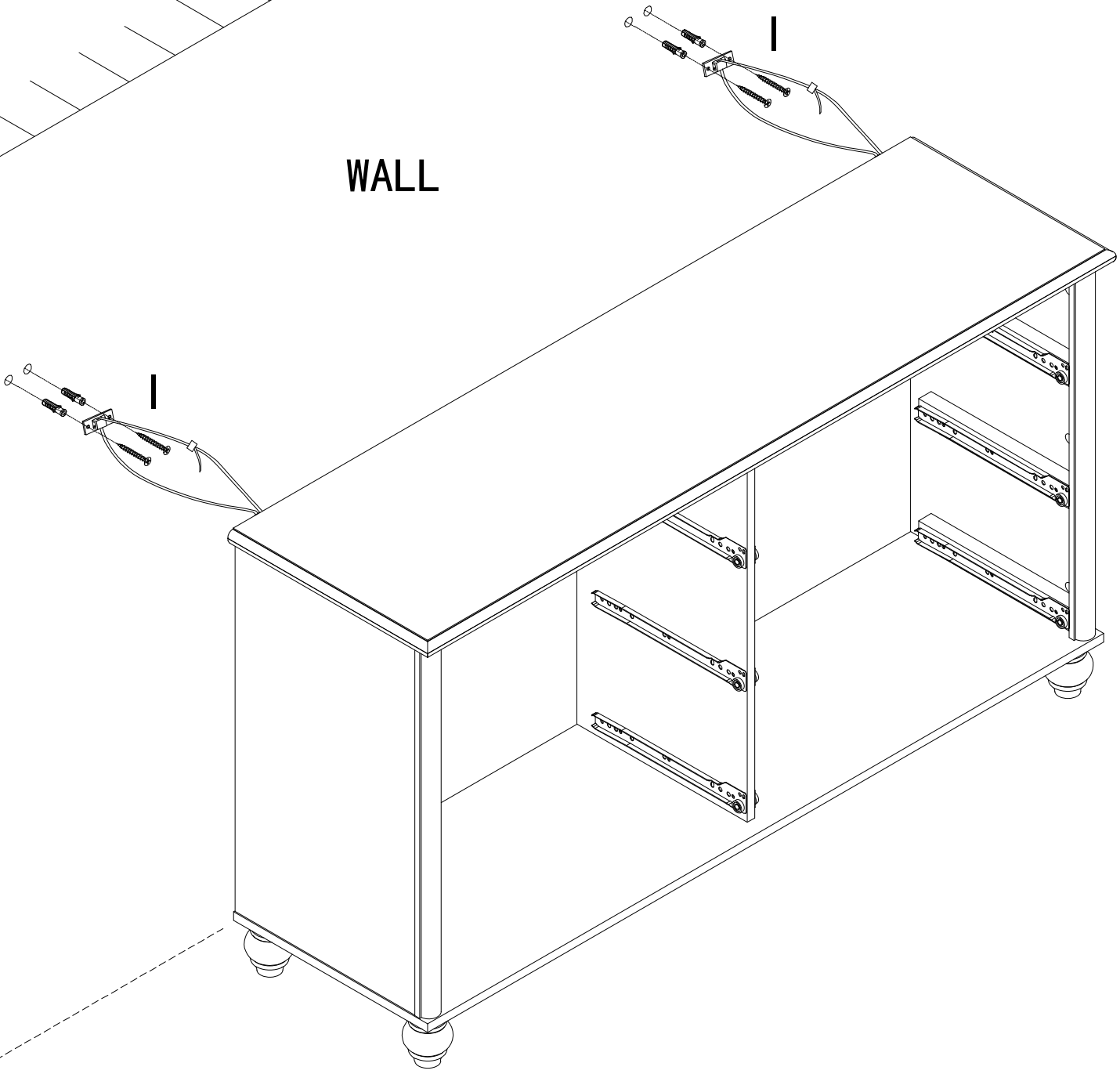
STEP 18



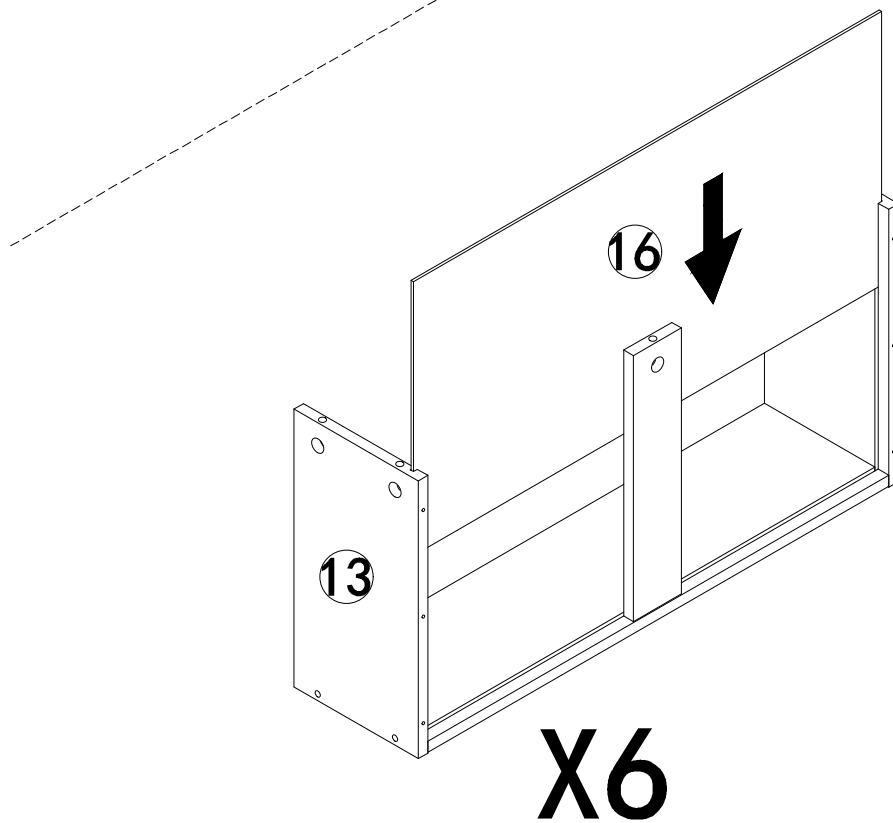
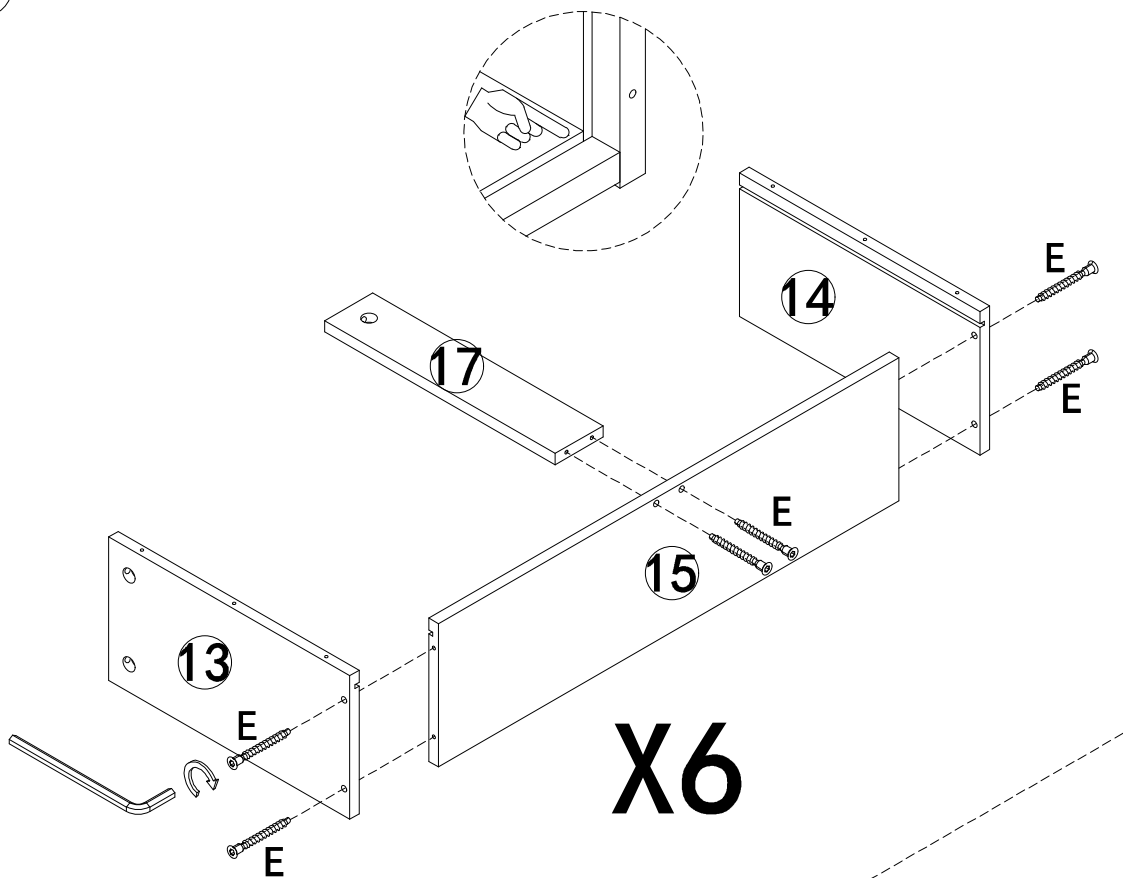
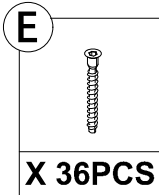
STEP 19



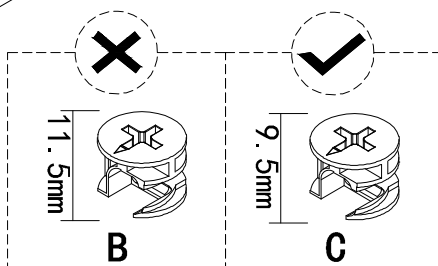
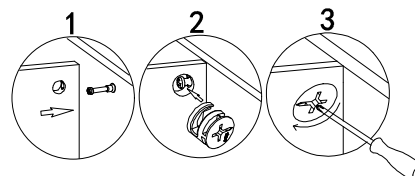
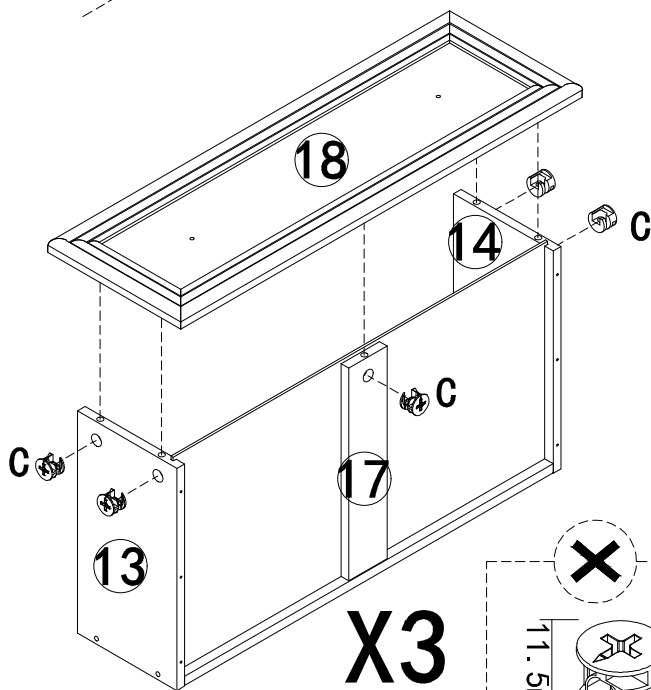
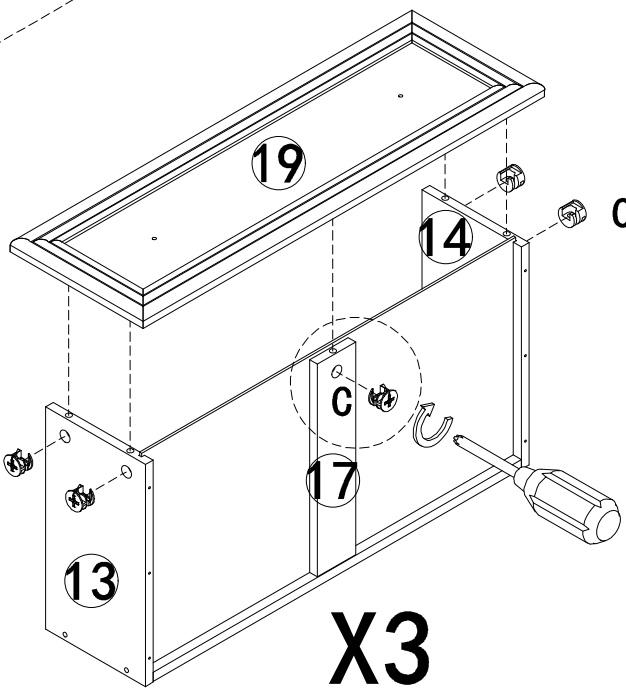
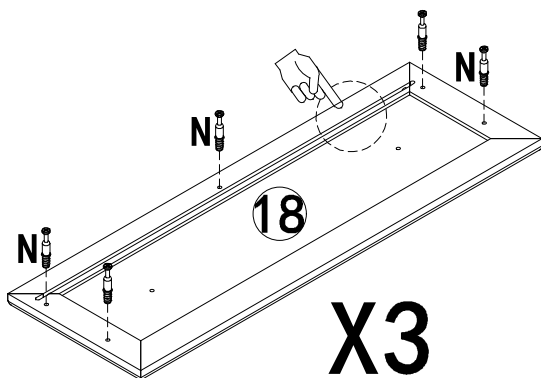
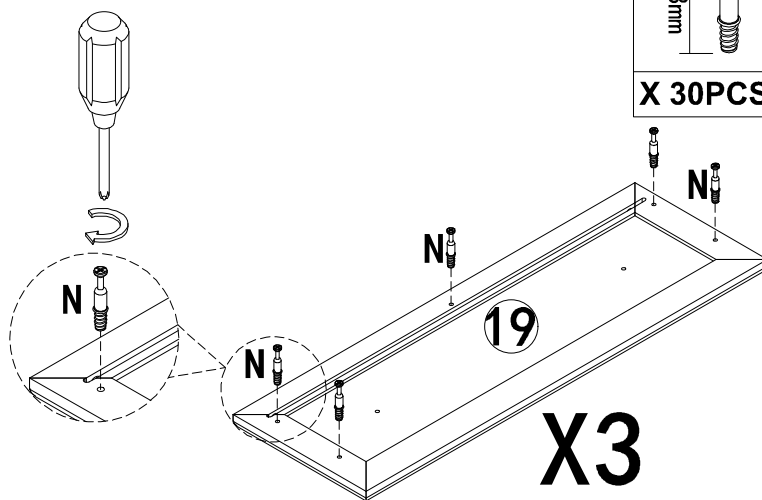
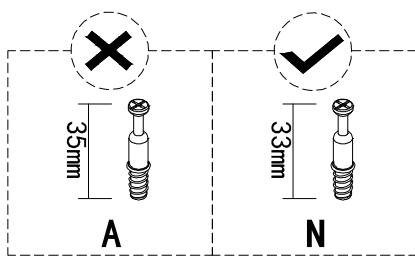
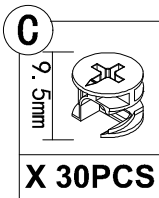
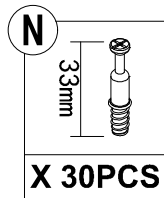
WALL



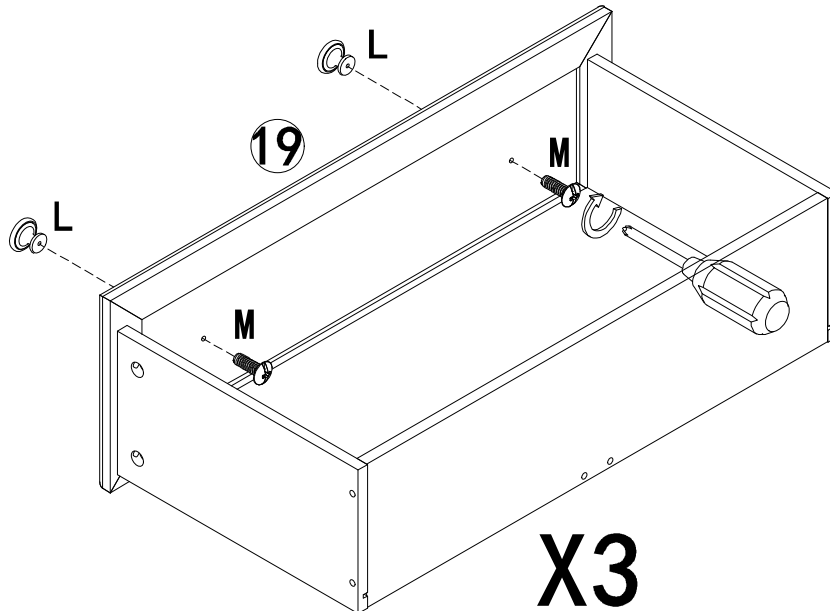
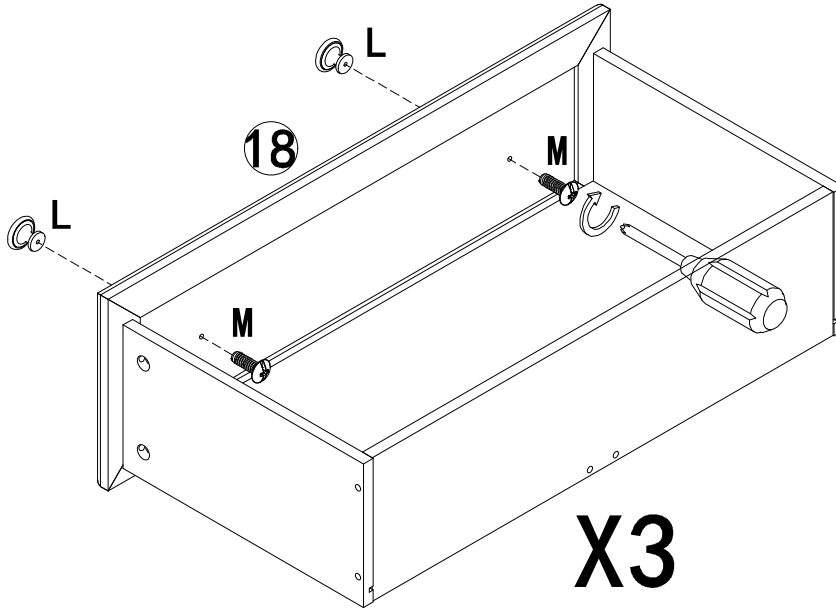
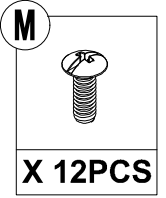
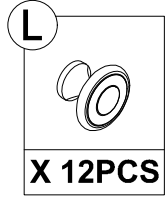
STEP 20



STEP 21




STEP 22

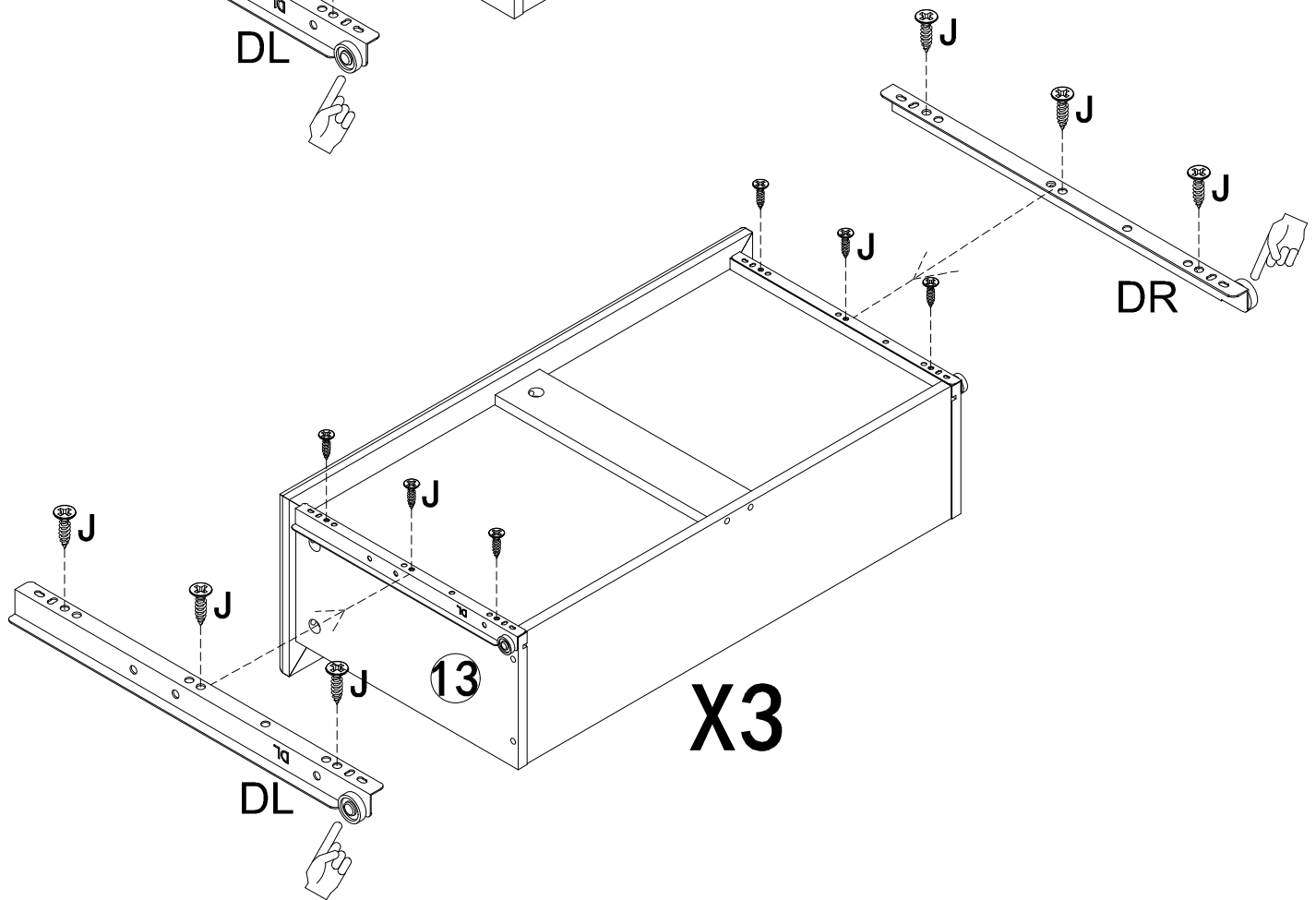
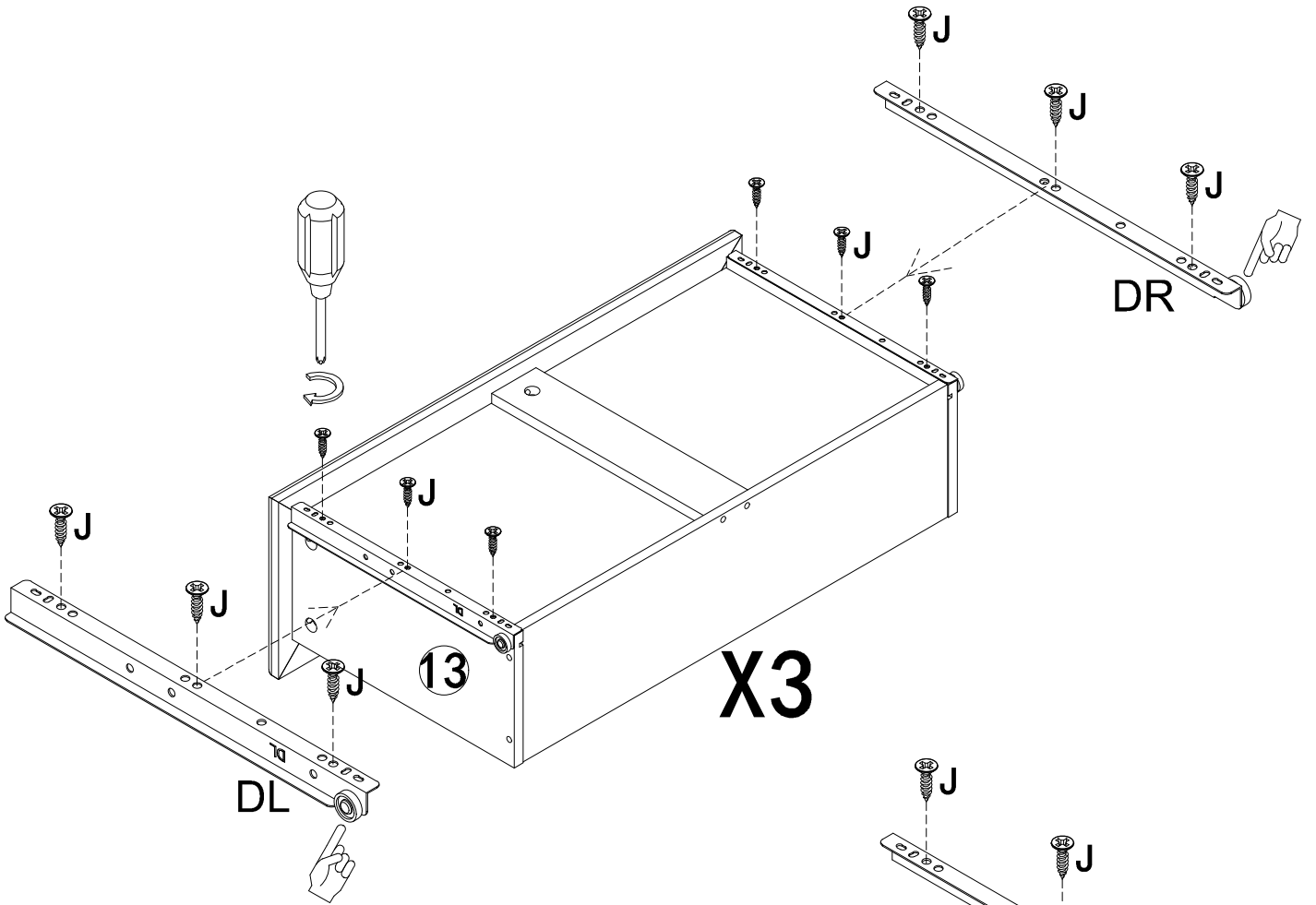


STEP 23

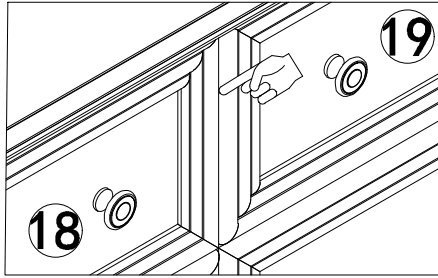
**J**



**X 36PCS**



STEP 24



Note: Please insert the drawer into the corresponding position according to the number

