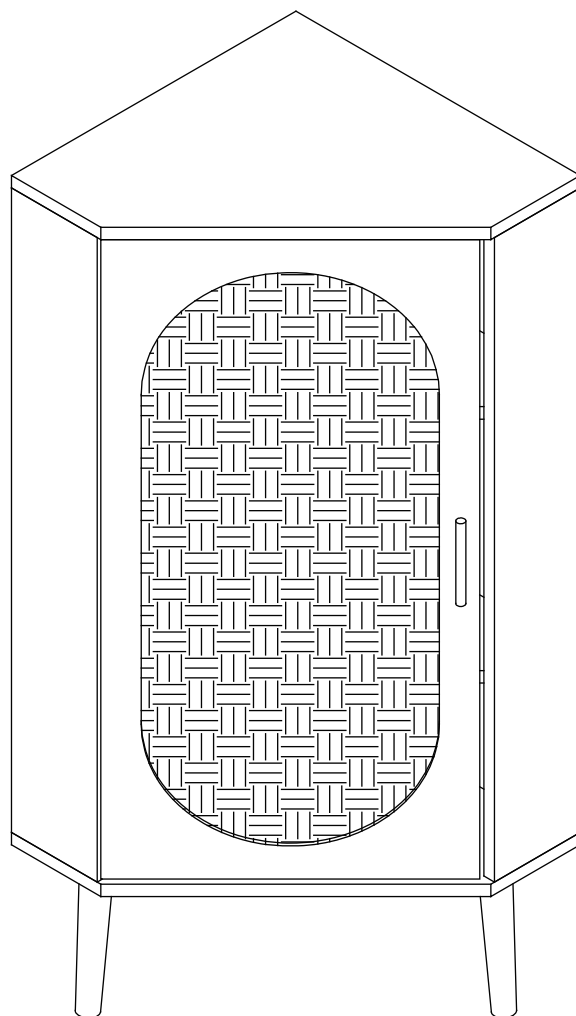


Installation Instruction



Product name

Corner Cabinet

Assembling

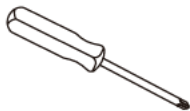
Estimated time for assembly



30 : 00

What you need

- Use the packaging carton as a working surface to prevent product damage during assembly
- Phillips head screwdriver



Weight Limitation



55

lbs table top

| 11

lbs per shelf

What's included

Code	Description	Qty
A	Cam Bolt M6X35MM	12
B	Cam Lock 15X12MM	12
C	Screw M4X35MM	11
D	Screw M3X14MM	4
E	Screw M3X10MM	4
F	Magnetic Door Catcher	2
G	Metal Pin	2
H	Wooden Dowel M8X30MM	18
I	Foot Metal Plate	3
J	Screw M4X12MM	15
K	Metal Shelf Support	12
L	Bolt M4x20MM	2
M	Handle	1
N	Metal Plate	2
O	Anchor	2
P	Screw M4X45MM	2

The Hardware

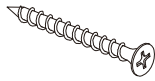
A



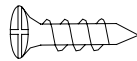
B



C



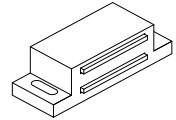
D



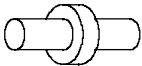
E



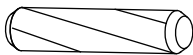
F



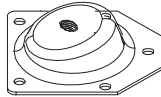
G



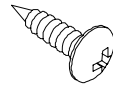
H



I



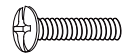
J



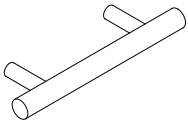
K



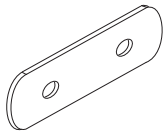
L



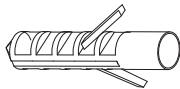
M



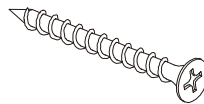
N



O



P



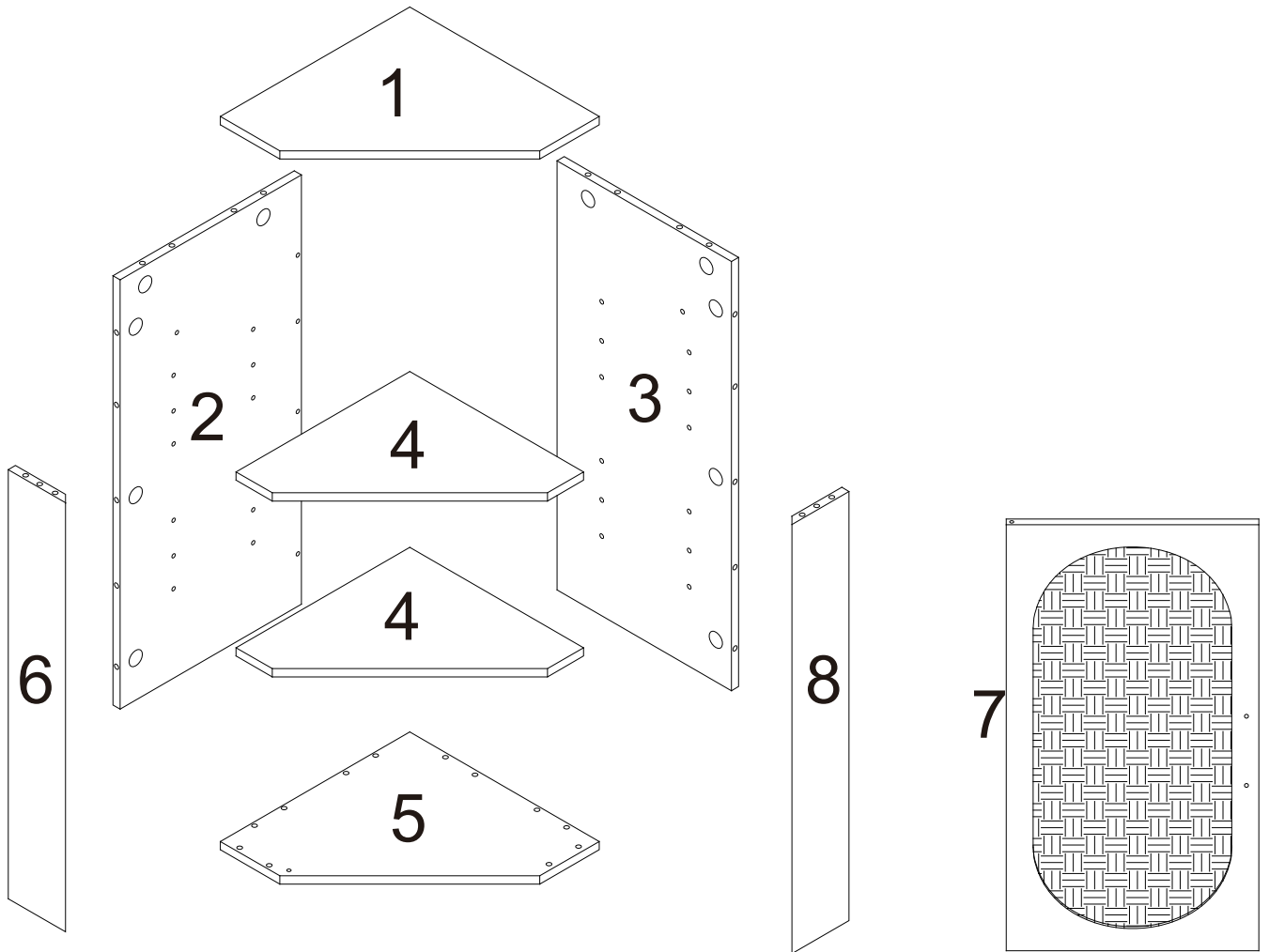
IMPORTANT:


1. Do not tighten bolts / screws completely until all bolts / screws are lined up and inserted into holes.
2. Do not over tighten screws and bolts to avoid stripping.
3. Please use hand tools to assemble this product. Do not use power tools.

Included Accessories

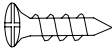
Code	Description	Qty
1	Cabinet Top	1
2	Left Back Panel	1
3	Right Back Panel	1
4	Shelf	2
5	Bottom Panel	1
6	Left Side Panel	1
7	Door	1
8	Right Side Panel	1
9	feet	3

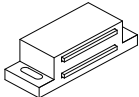
The Accessoriess

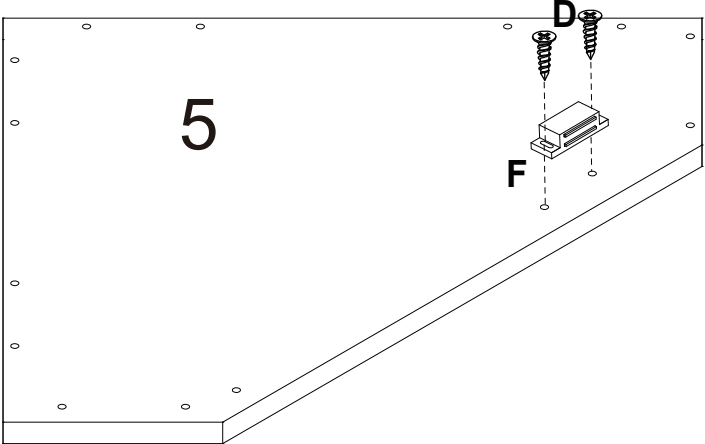
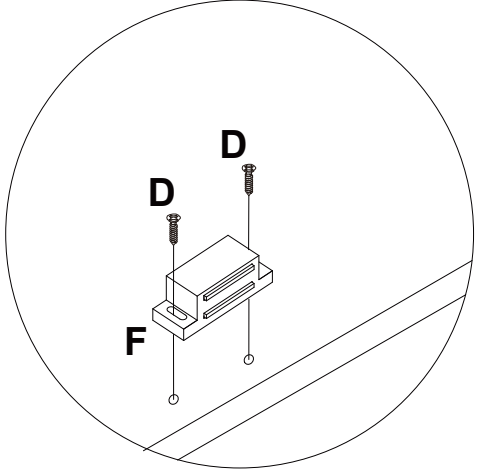
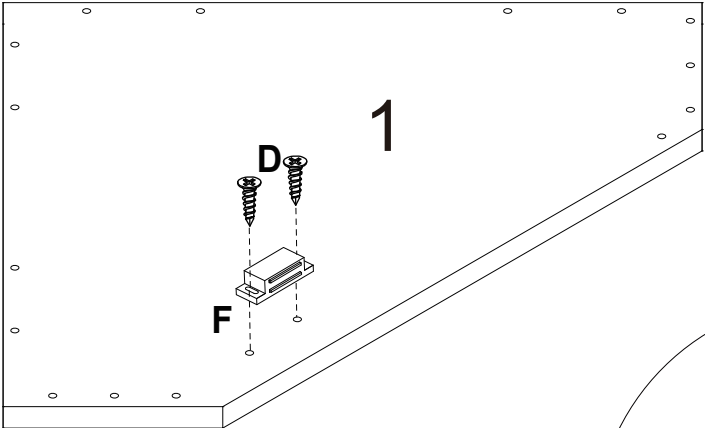


 9 x 3

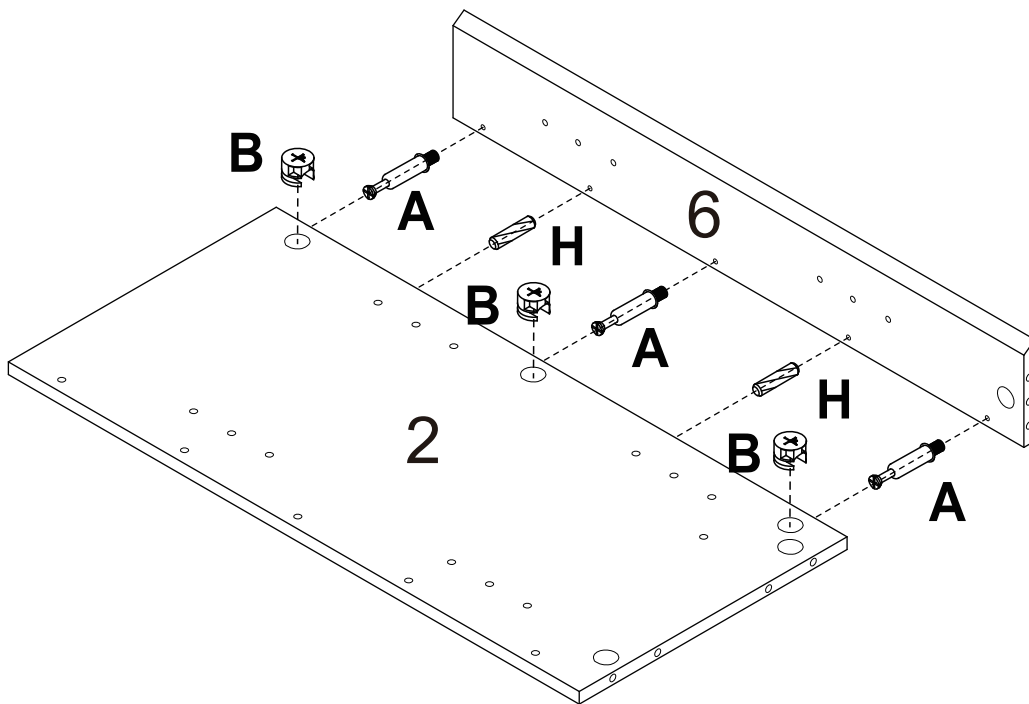
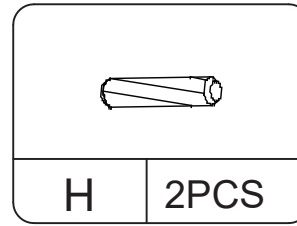
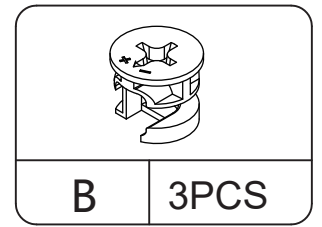
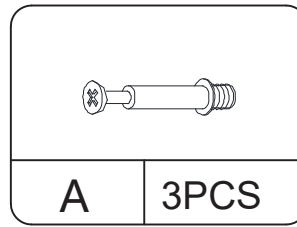
Step 1

	
D	4PCS

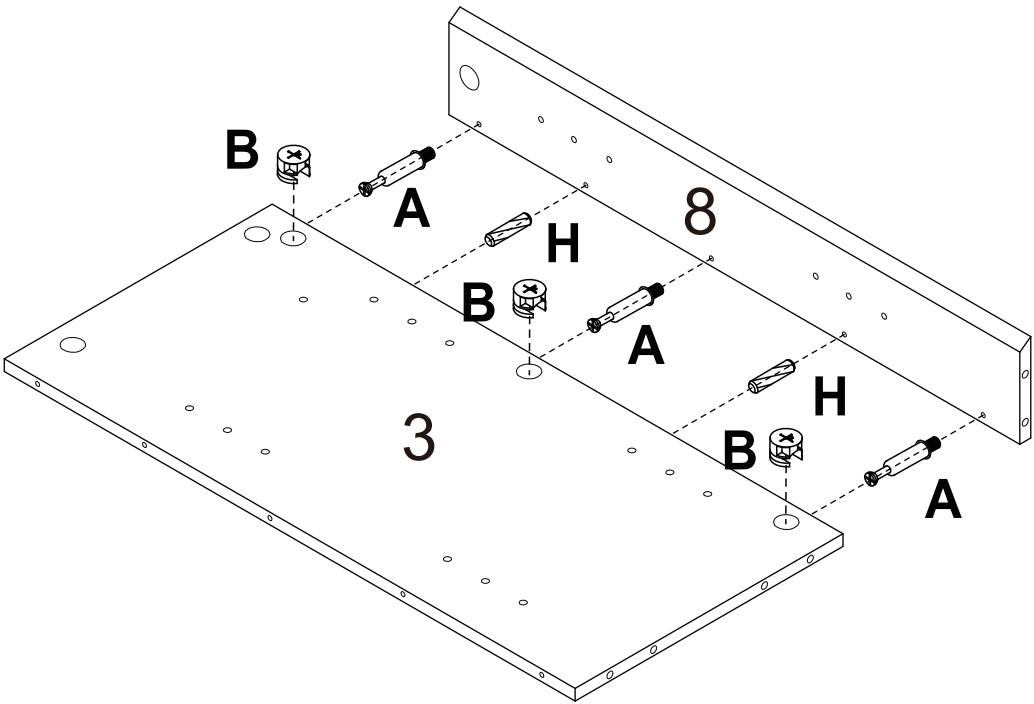
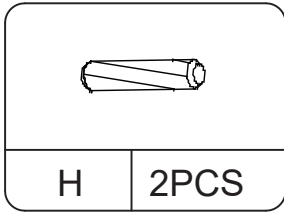
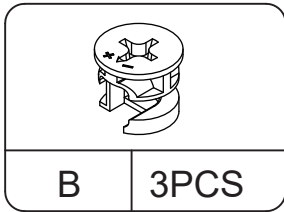
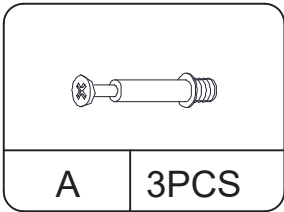
	
F	2PCS



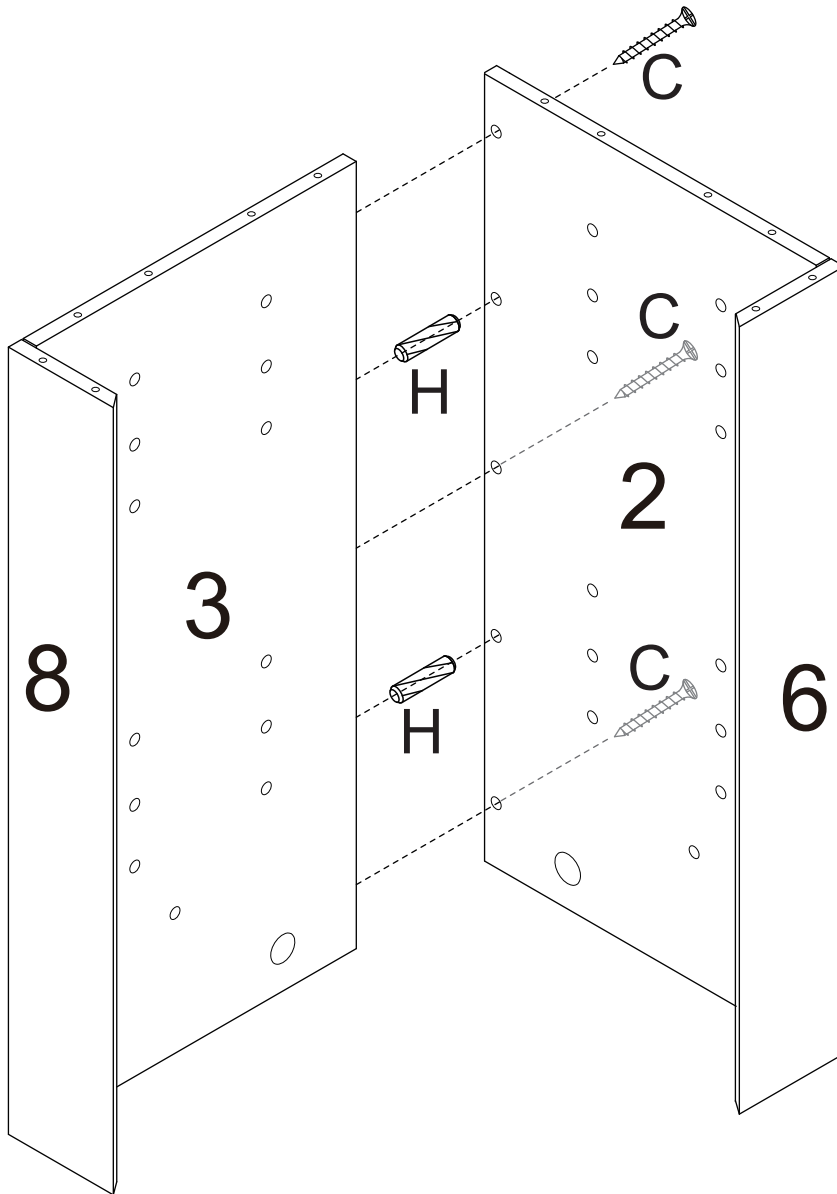
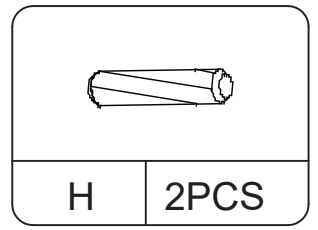
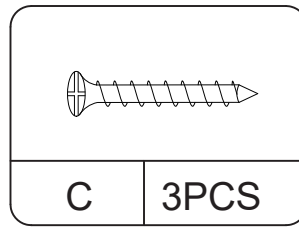
Step 2



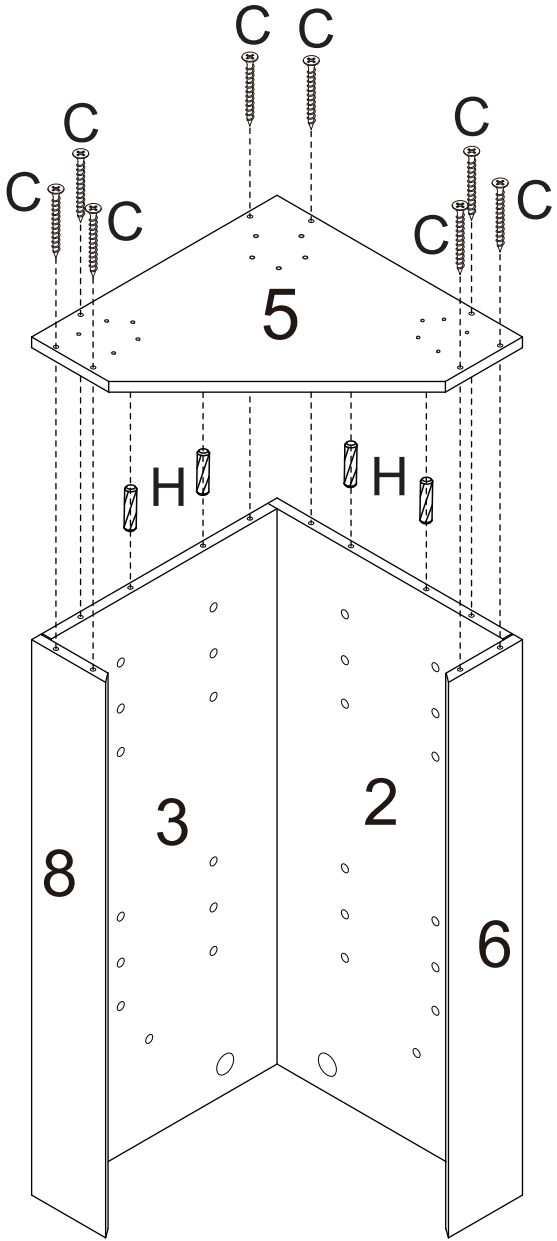
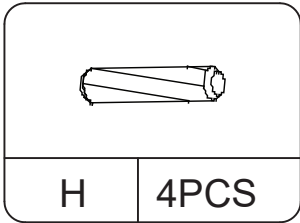
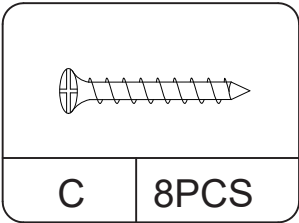
Step 3



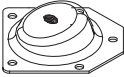
Step 4

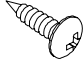


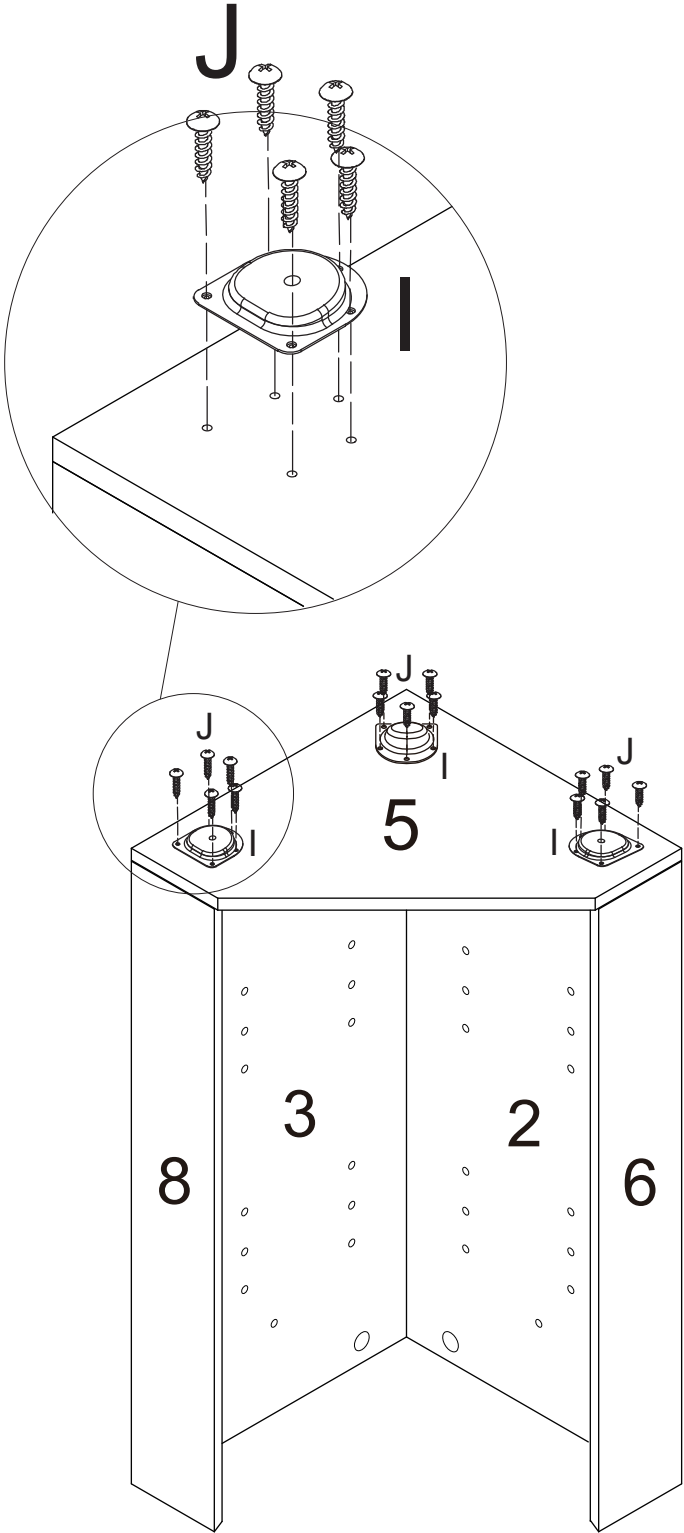
Step 5



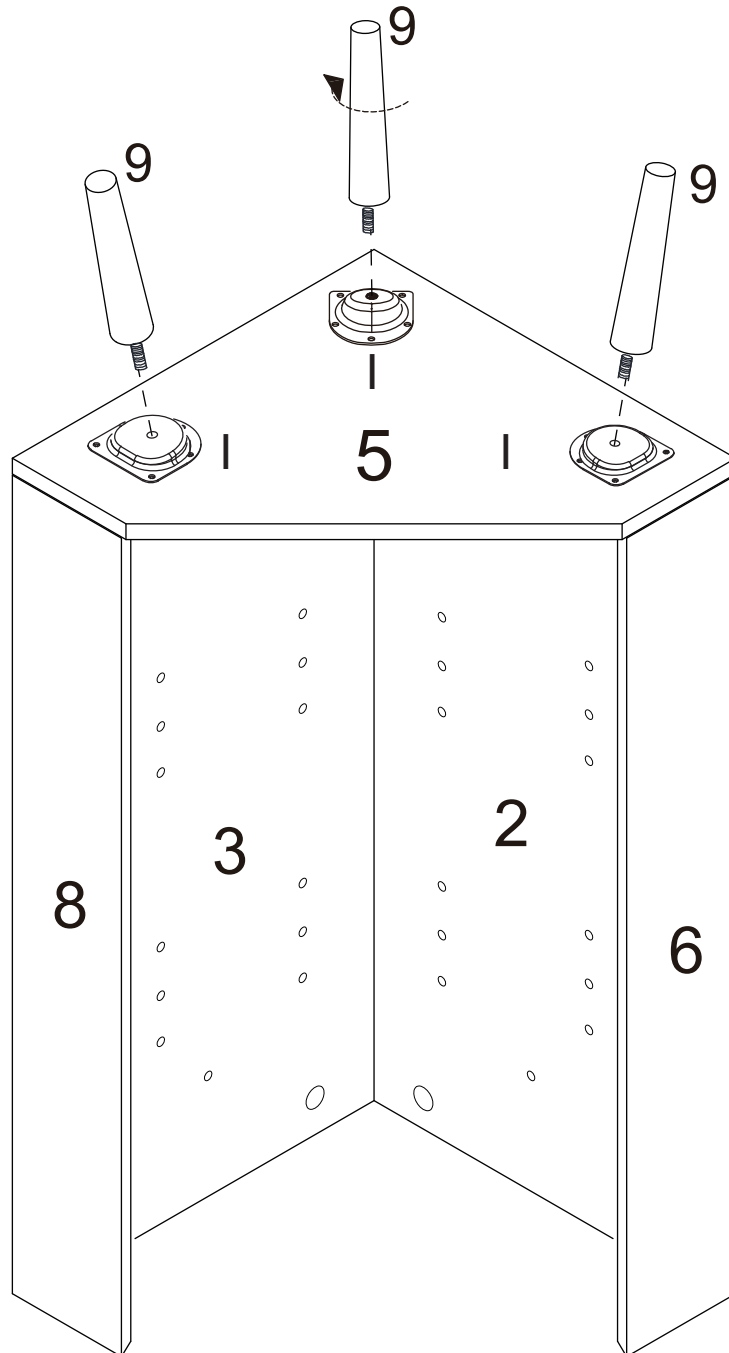
Step 6

	
I	3PC

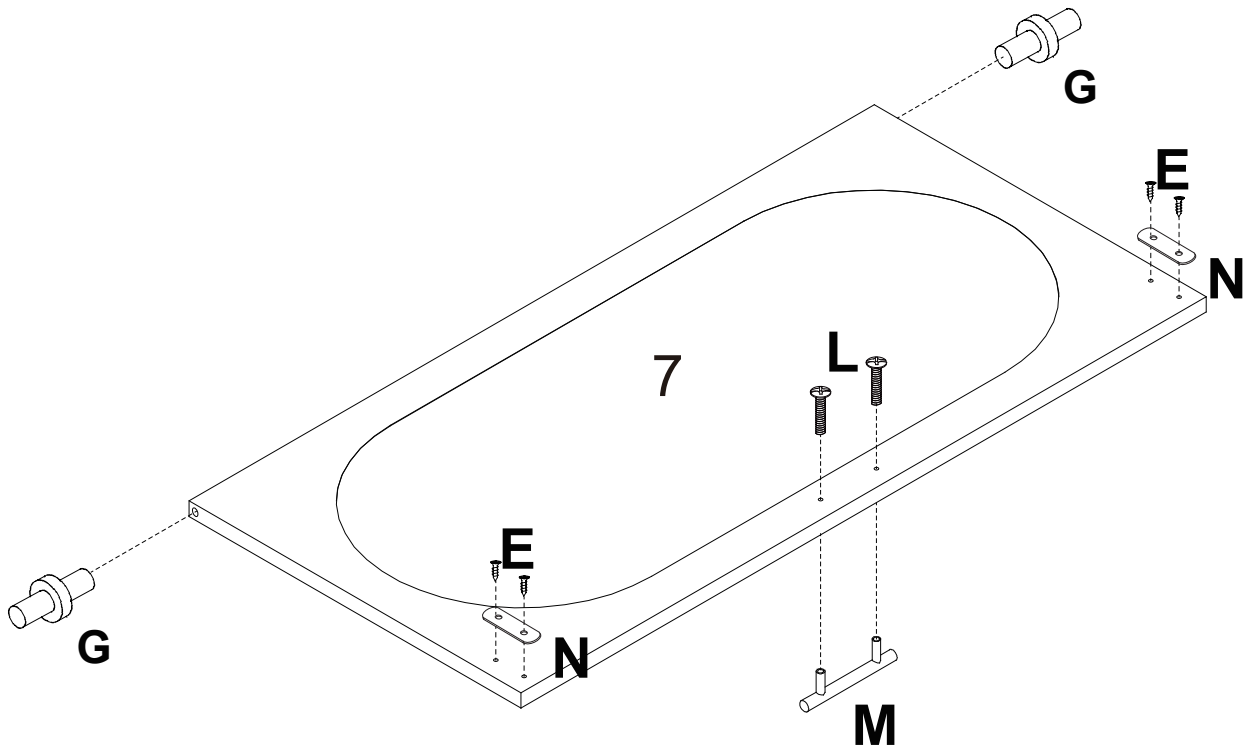
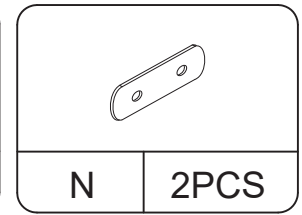
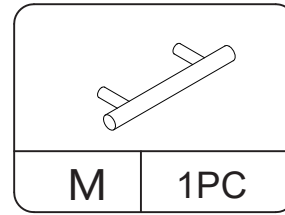
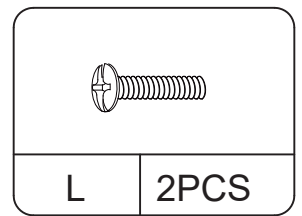
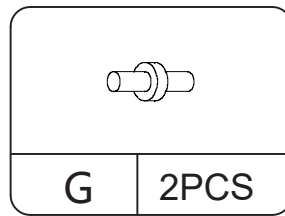
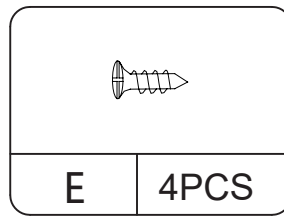
	
J	15PCS



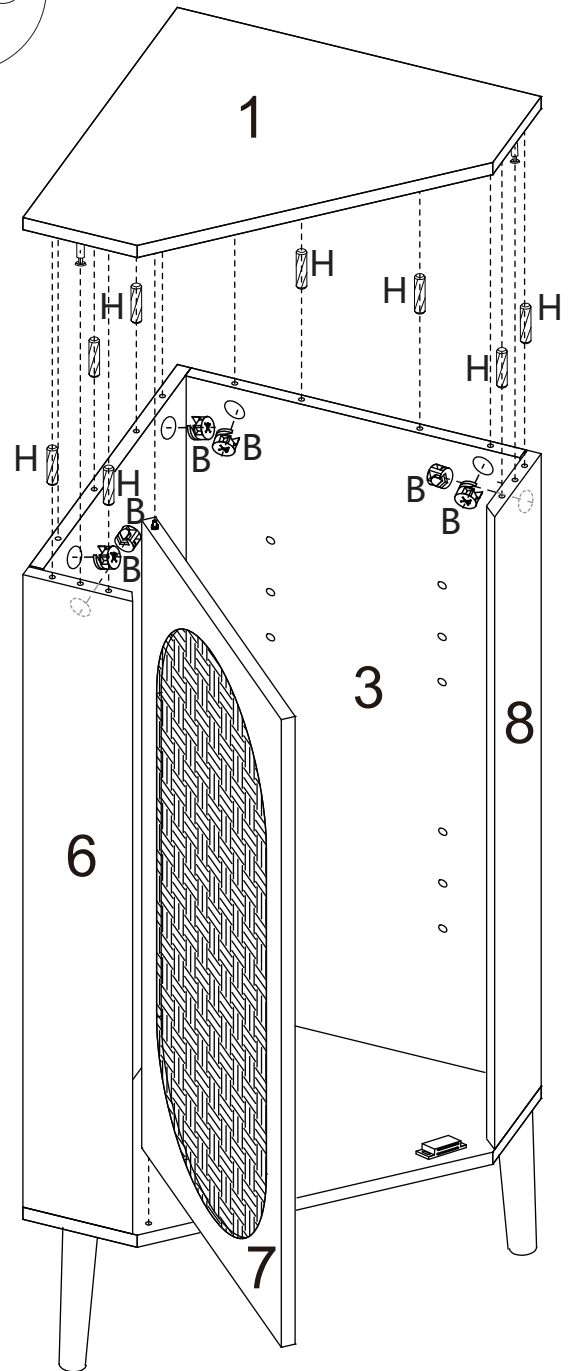
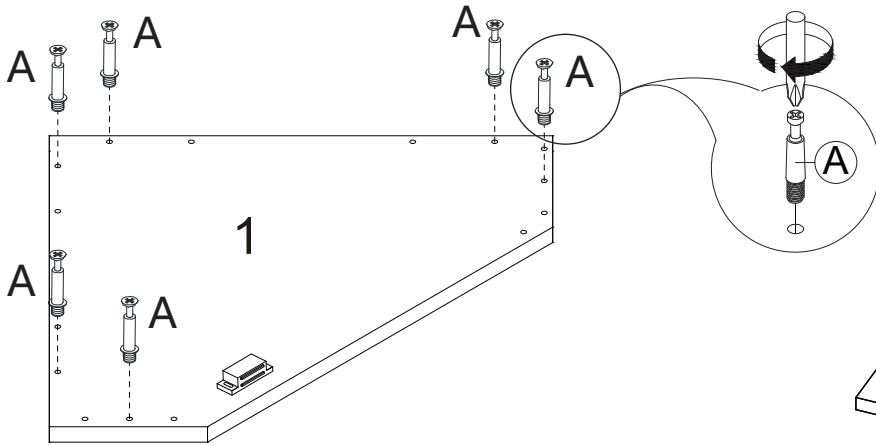
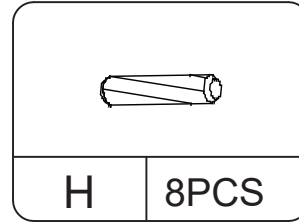
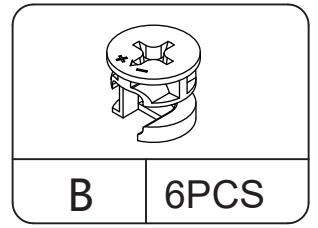
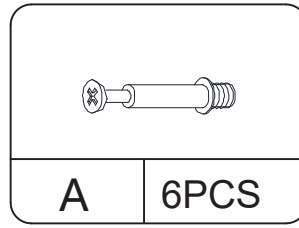
Step 7



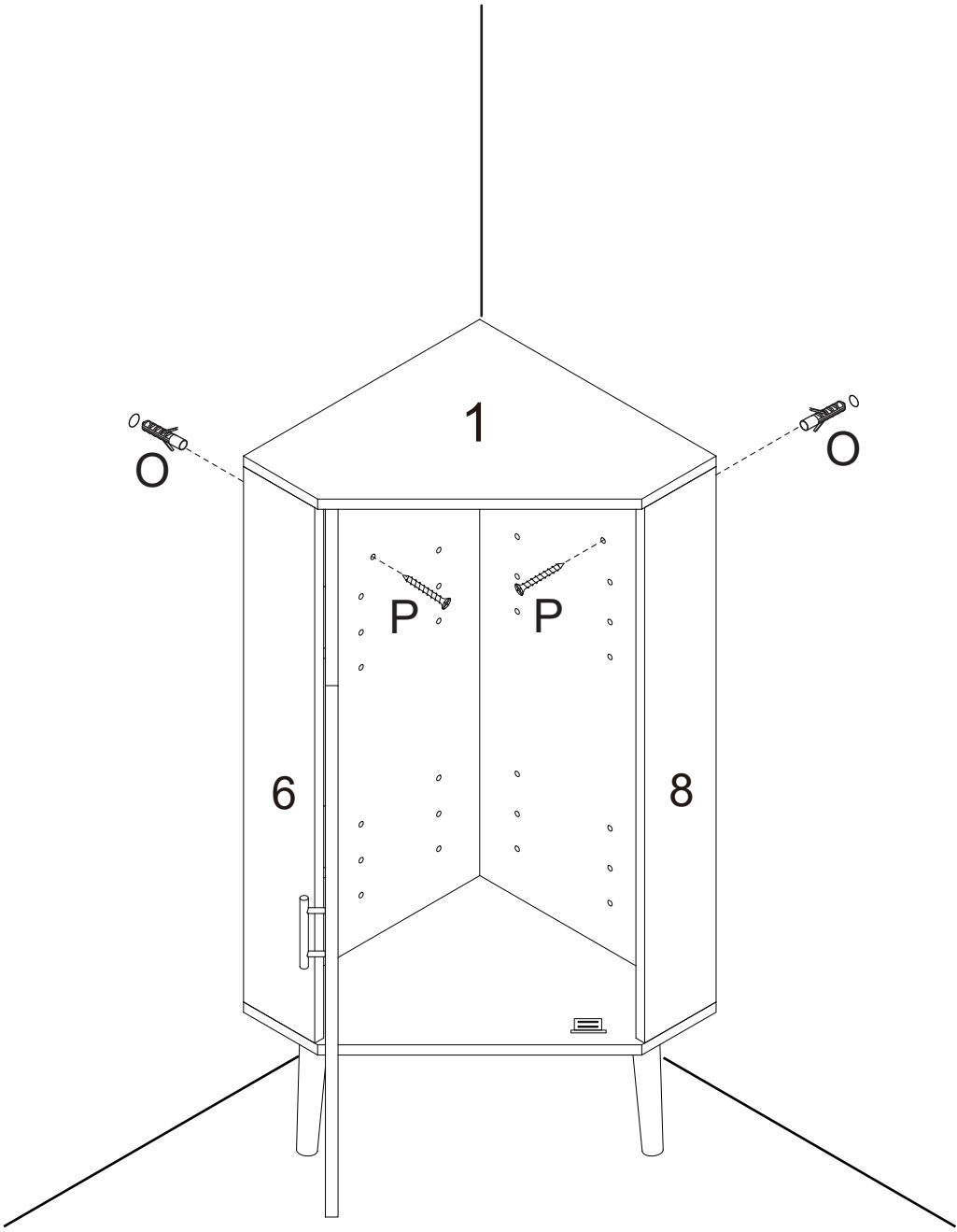
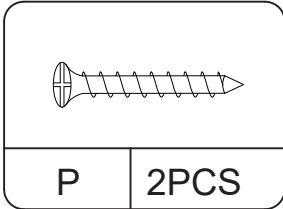
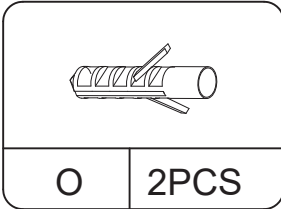
Step 8



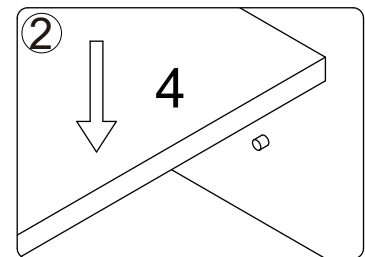
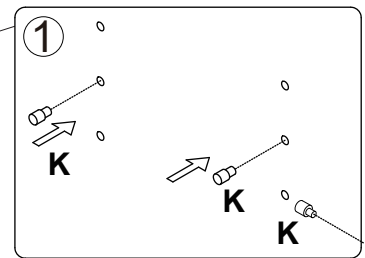
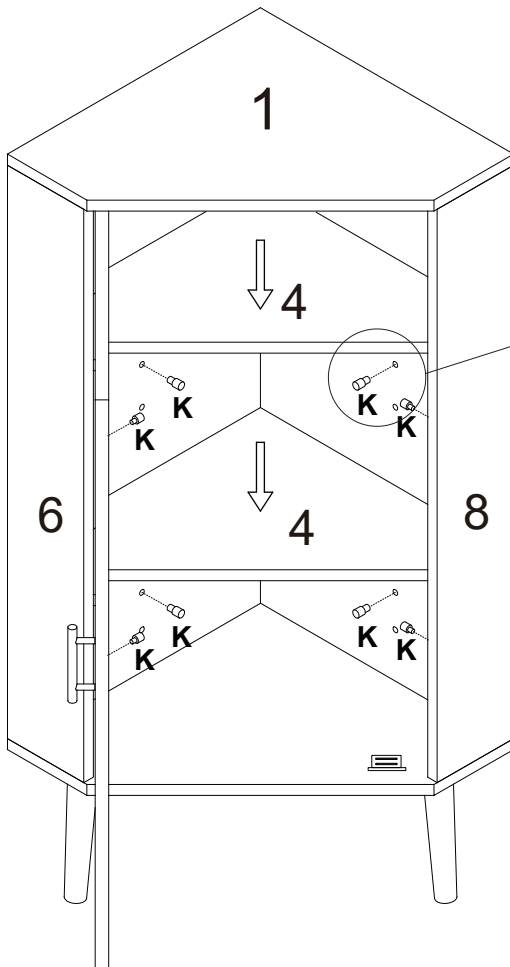
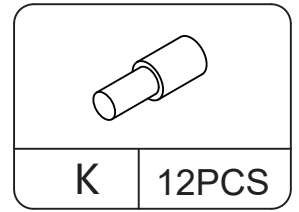
Step 9



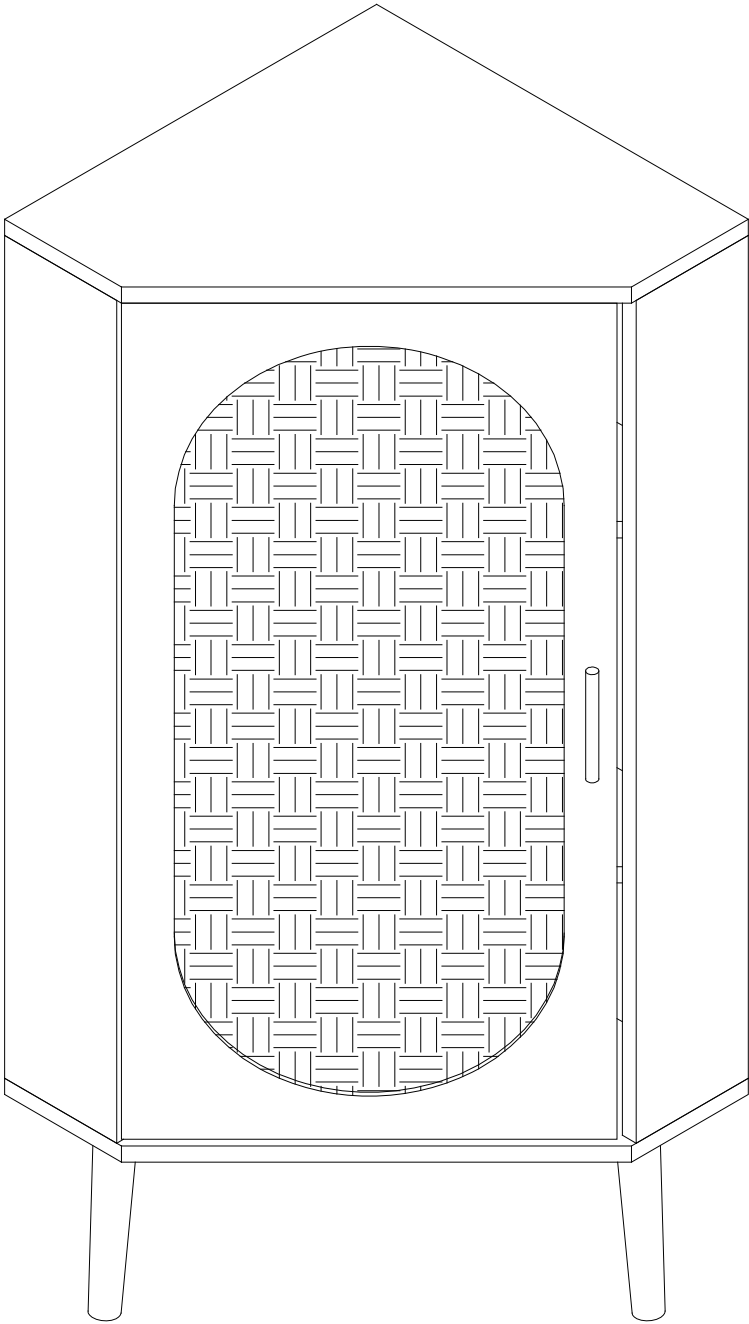
Step 10



Step 11



Step 12



Proper Use

- DO NOT** use for commercial purposes
- DO NOT** use as a step stool or stand on table
- DO NOT** put hot serving liquid directly on the table top
- DO NOT** leave spilled liquid on the table top
- DO NOT** use table if damaged
- DO NOT** exceed weight limit
- DO NOT** make temporary repairs
- DO NOT** use outdoor