

Tips!

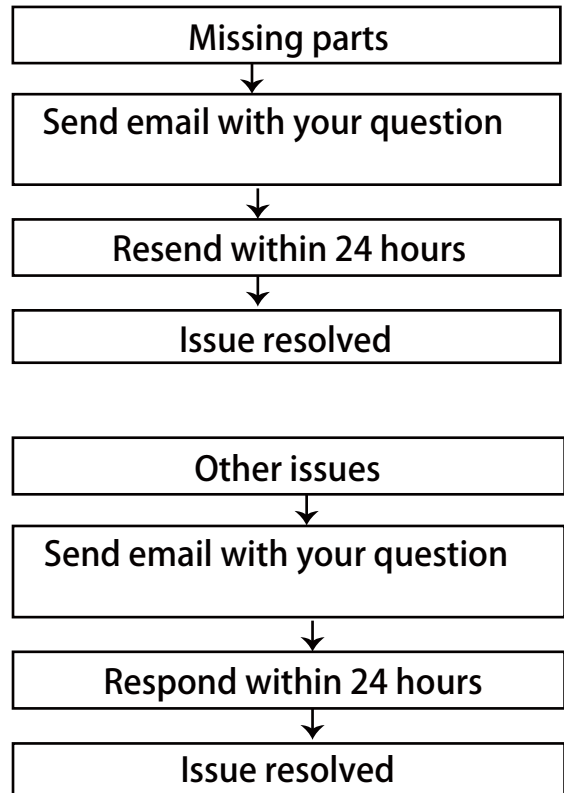
Check all the components & screws before assembly. **Do not install in case part is miss-ing,contact us to get.** Send email with your question. We will resend within 24 hours.

Return Policy

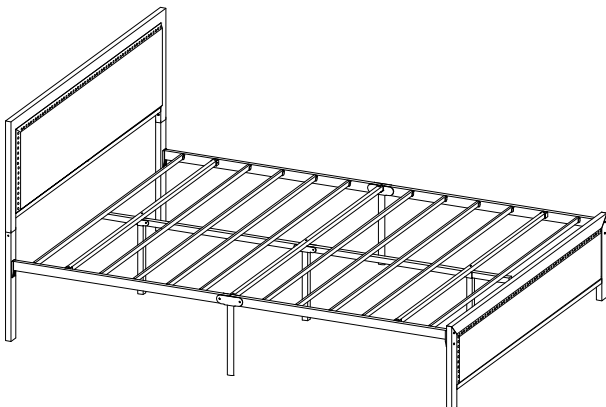
We believe you will absolutely love your new item. But if for some reason you want to return, please contact us directly before you decide to return your product. Our customer service organization can answer most concerns and assist you with any questions you may have about your new item, please email us first.

The item must be returned within 30 days of delivery for a full refund. The item must be returned in good condition, in original box, with all original proof of purchase, parts and accessories.

Trouble shooting:

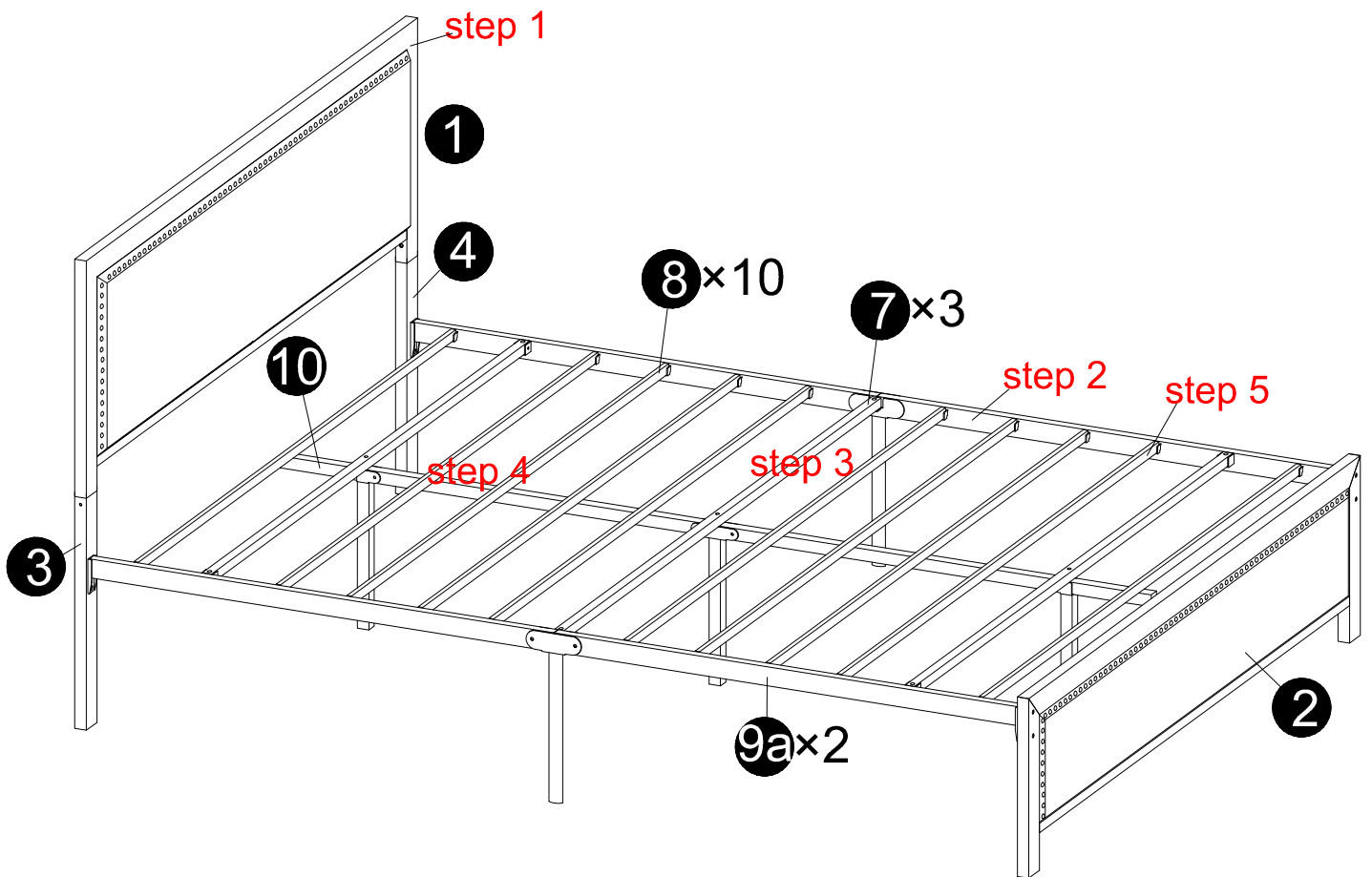


We control manufacturing and distribution ourselves, ensure the quality

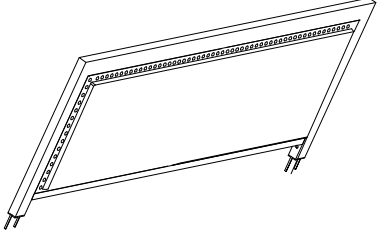
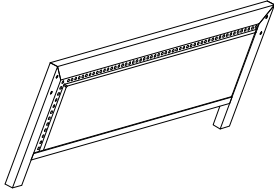
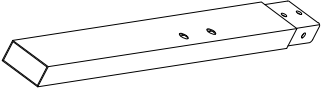
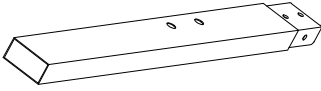

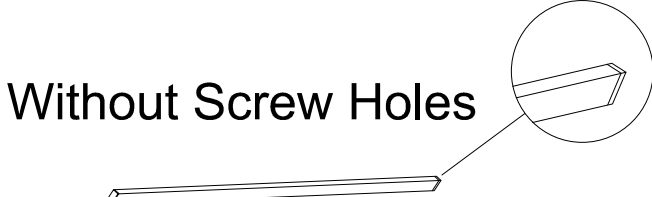
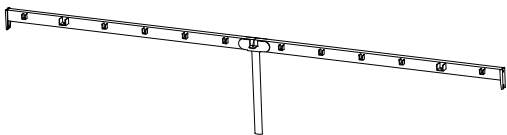
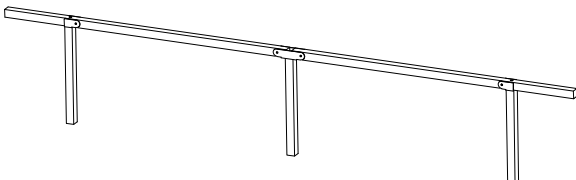


Item Description: Bed Frame

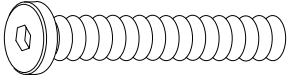
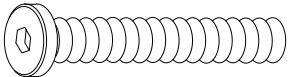
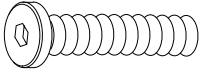
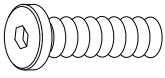
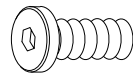
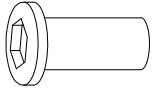
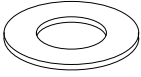

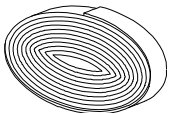
Easy assembly by following step 1、 step 2、 step 3...



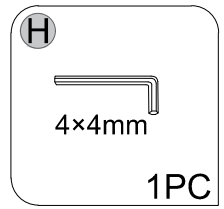
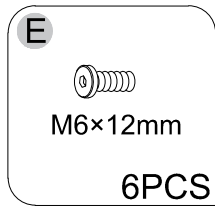
Components

<p>1</p>		<p>1PC</p>
<p>2</p>		<p>1PC</p>
<p>3</p>		<p>1PC</p>
<p>4</p>		<p>1PC</p>
<p>7</p>	<p>With Screw Holes</p> 	<p>3PCS</p>
<p>8</p>	<p>Without Screw Holes</p> 	<p>10PCS</p>
<p>9a</p>		<p>2PCS</p>
<p>10</p>		<p>1PC</p>

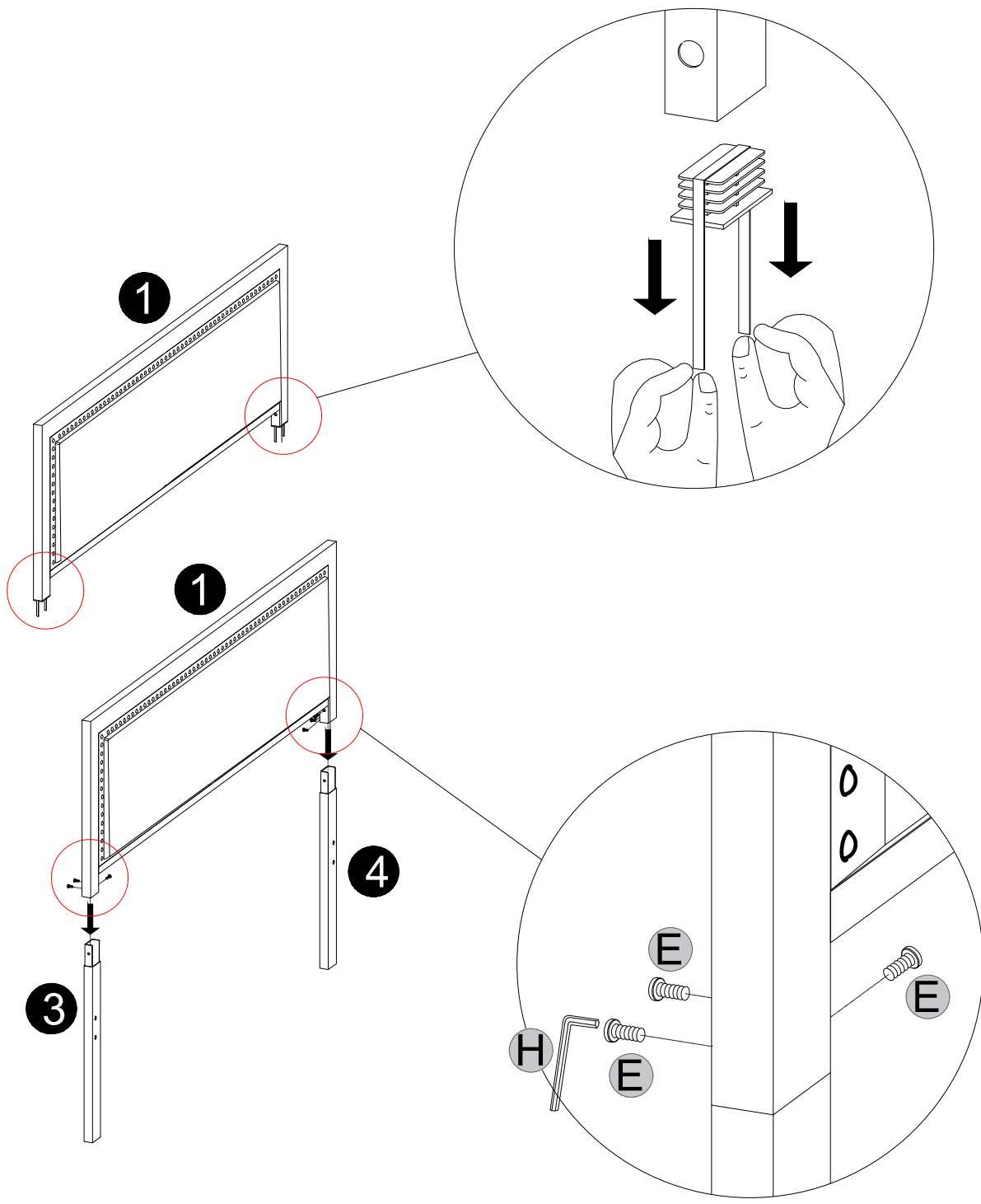
Screws & Tools

A		M8×50mm	4PCS
B		M6×55mm	3PCS
C		M6×30mm	6PCS
D		M6×20mm	4PCS
E		M6×12mm	6PCS
F			4PCS
G			8PCS
H		4×4mm	2PCS
N			1PC


step 1




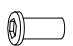
Note: For easy setup intention, do not tighten screws during the installation process




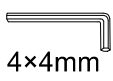
step 2

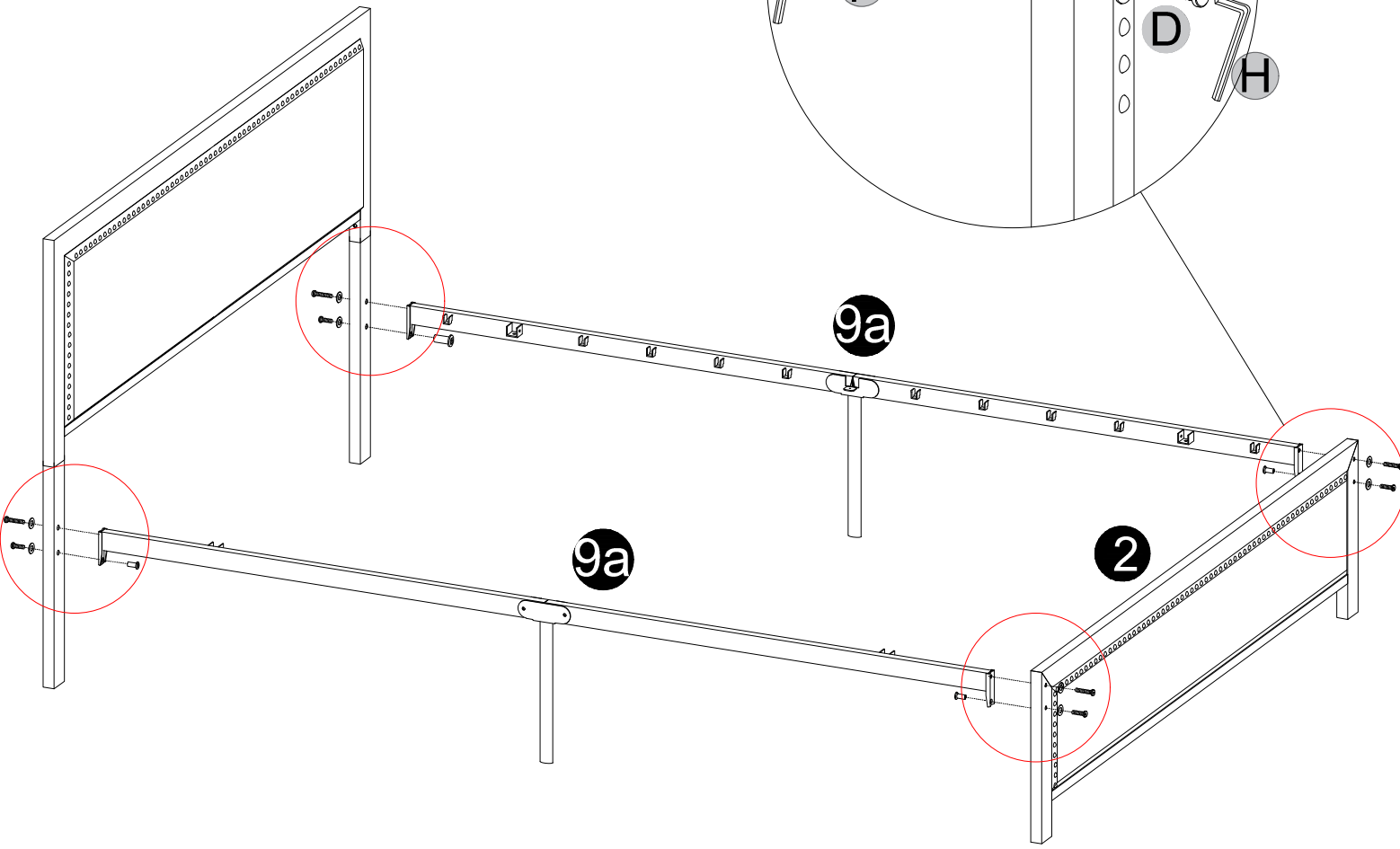
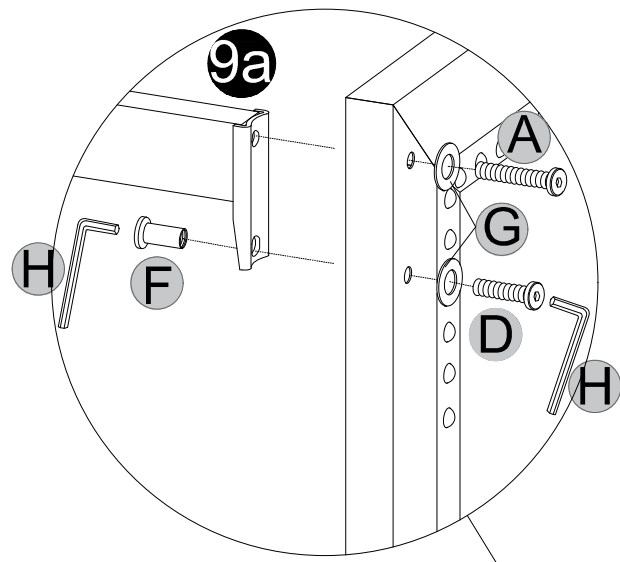
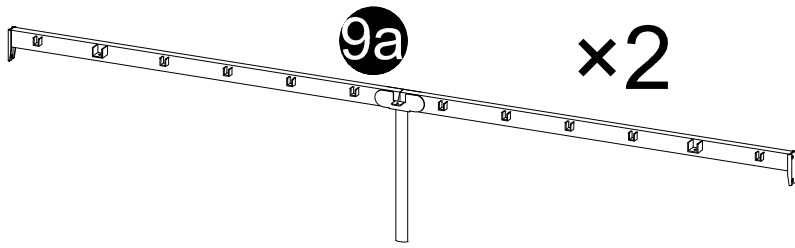
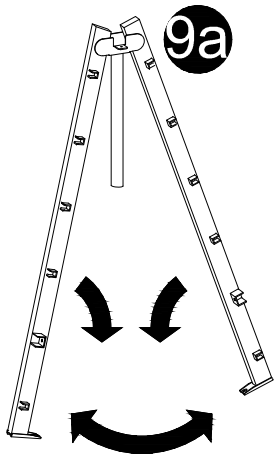
A

M8×50mm
4PCS

D

M6×20mm
4PCS


F

4PCS

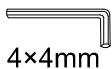
G

8PCS

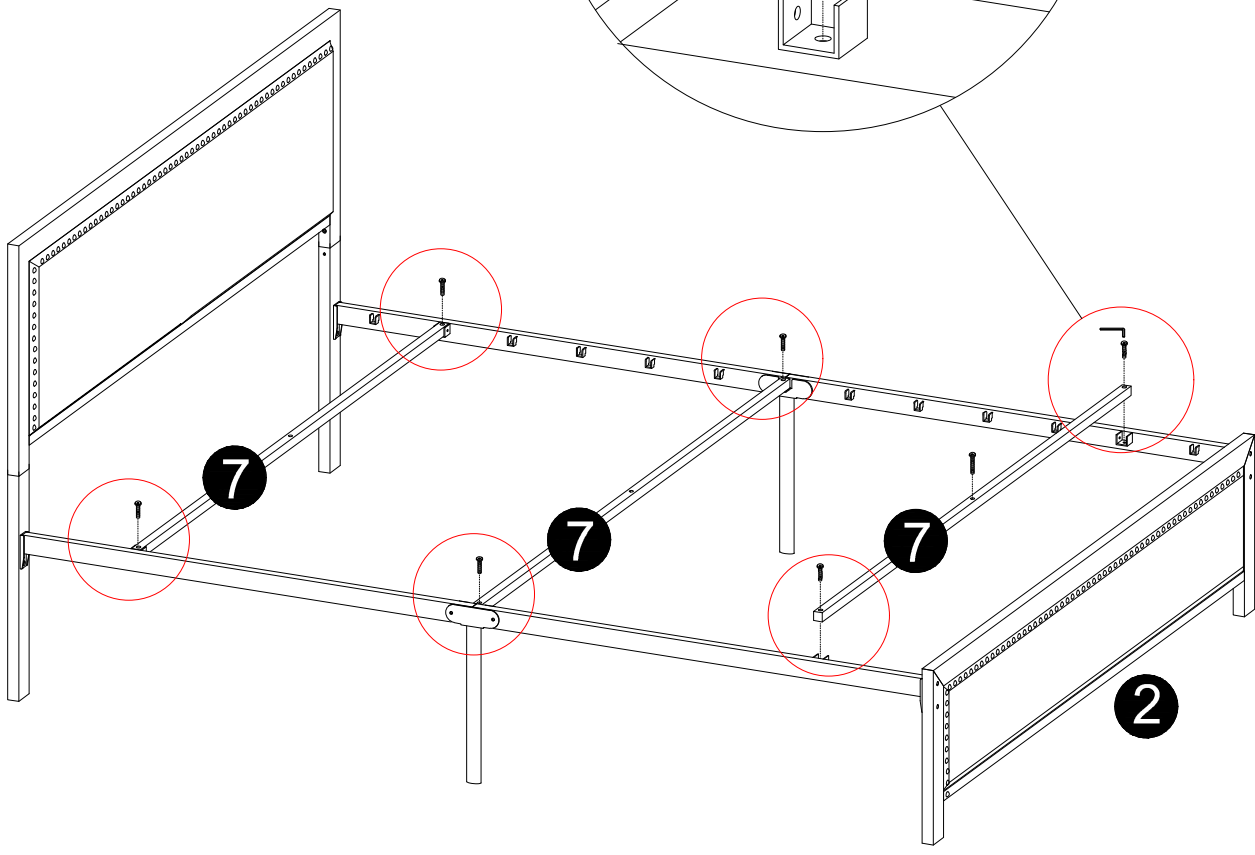
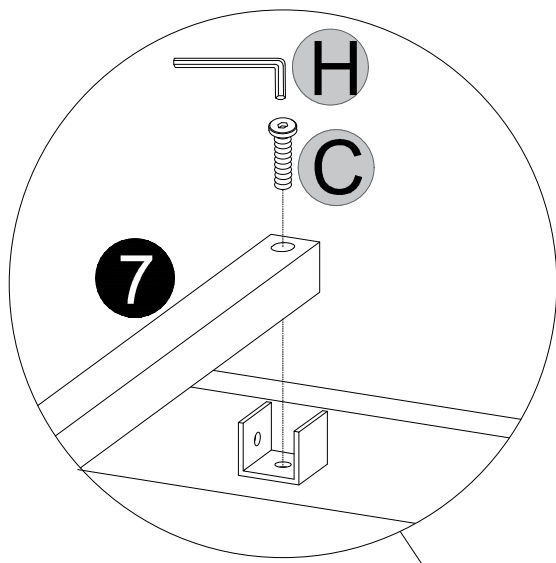
H

4×4mm
2PCS



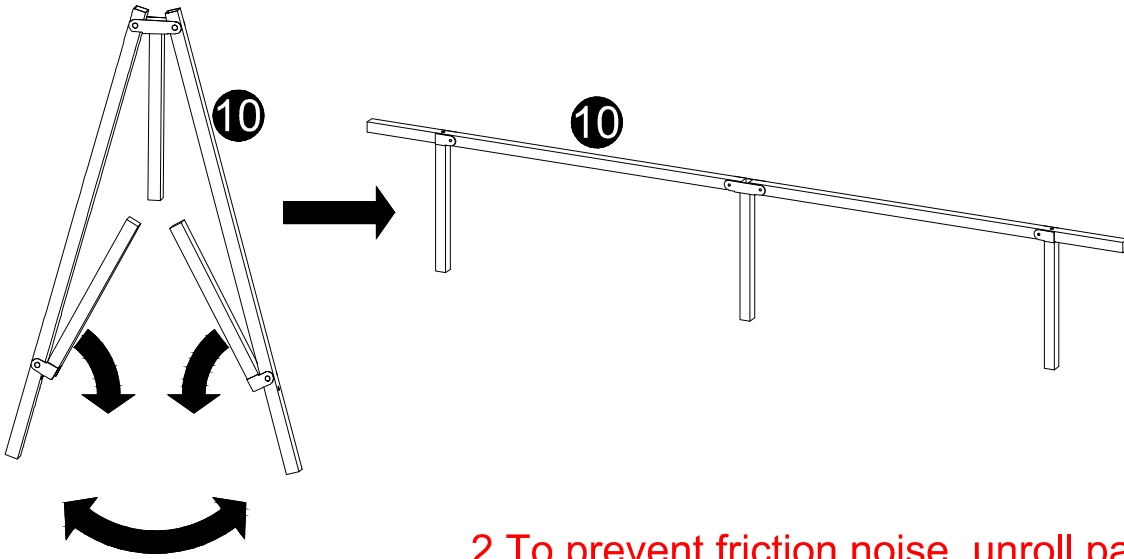
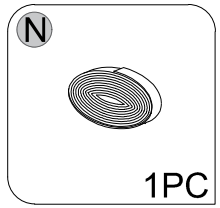
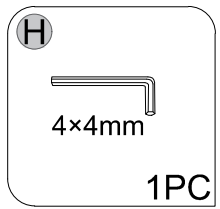
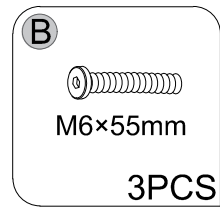
step 3

C

M6×30mm
6PCS

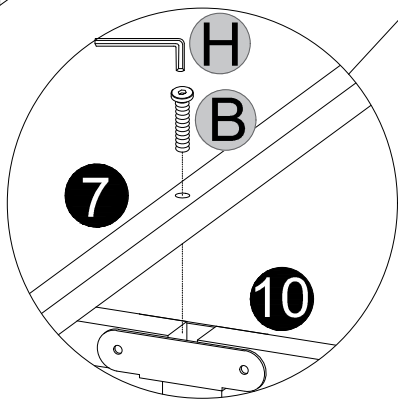
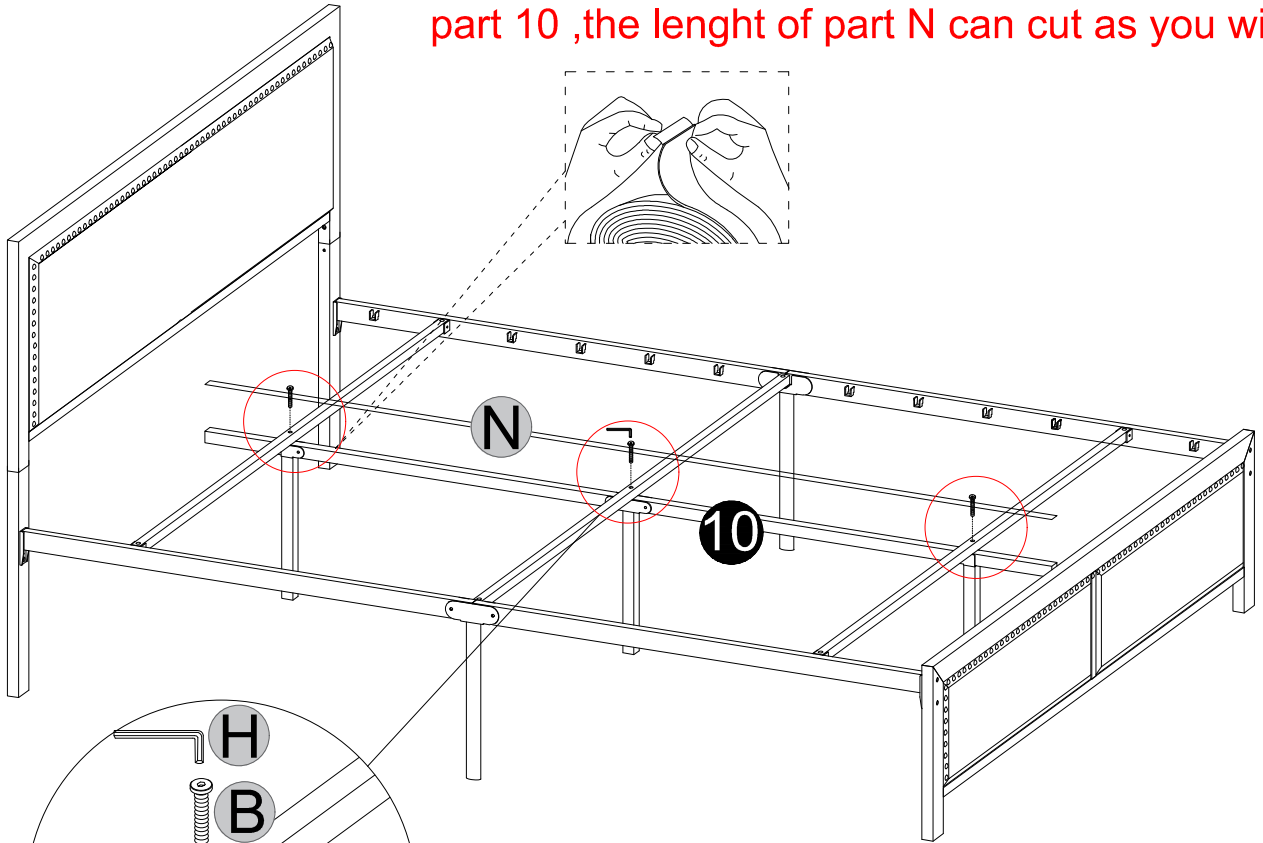
H

4×4mm
1PC



step 4

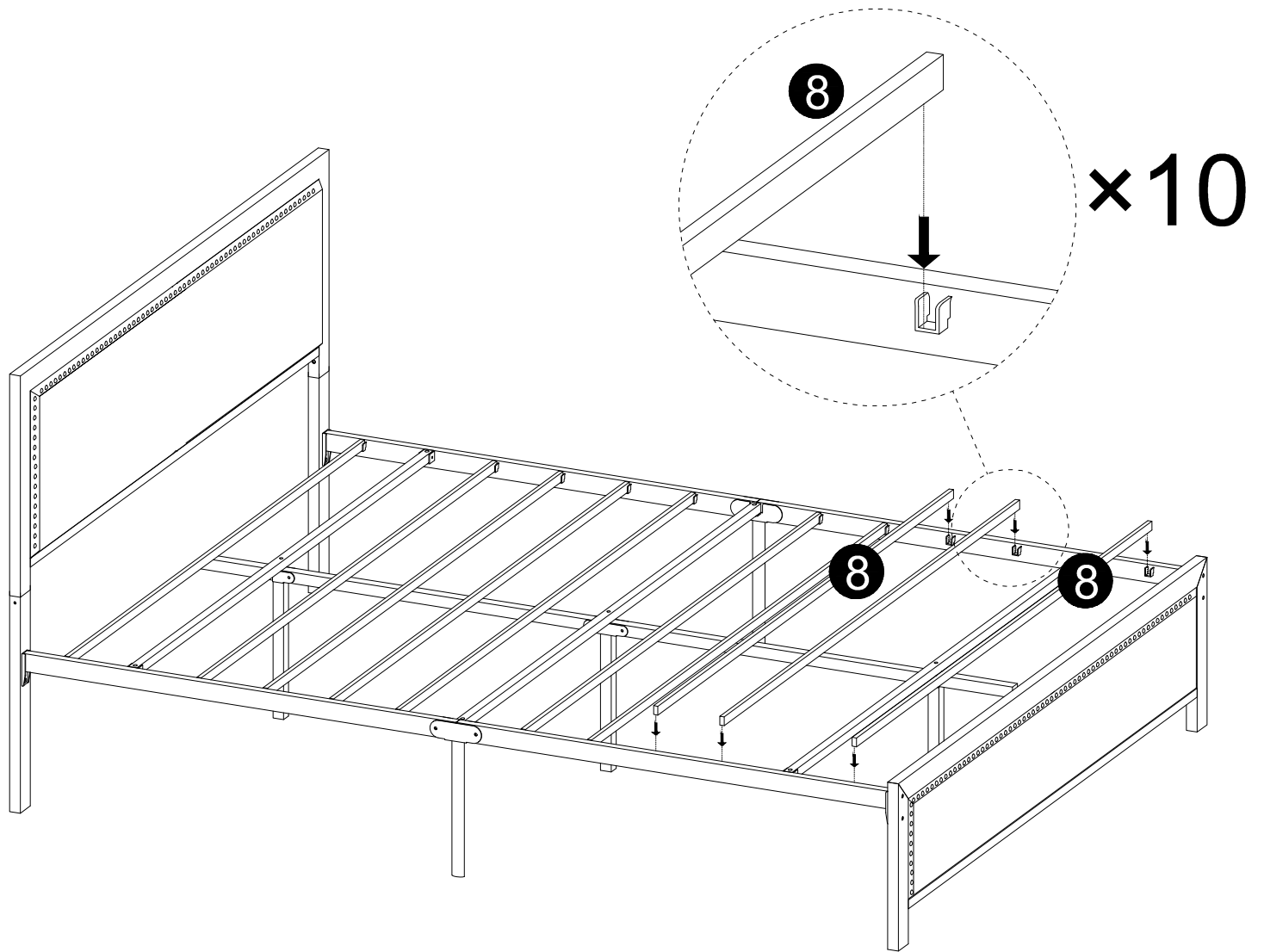


2. To prevent friction noise, unroll part N and fit it on part 10, the length of part N can cut as you will.



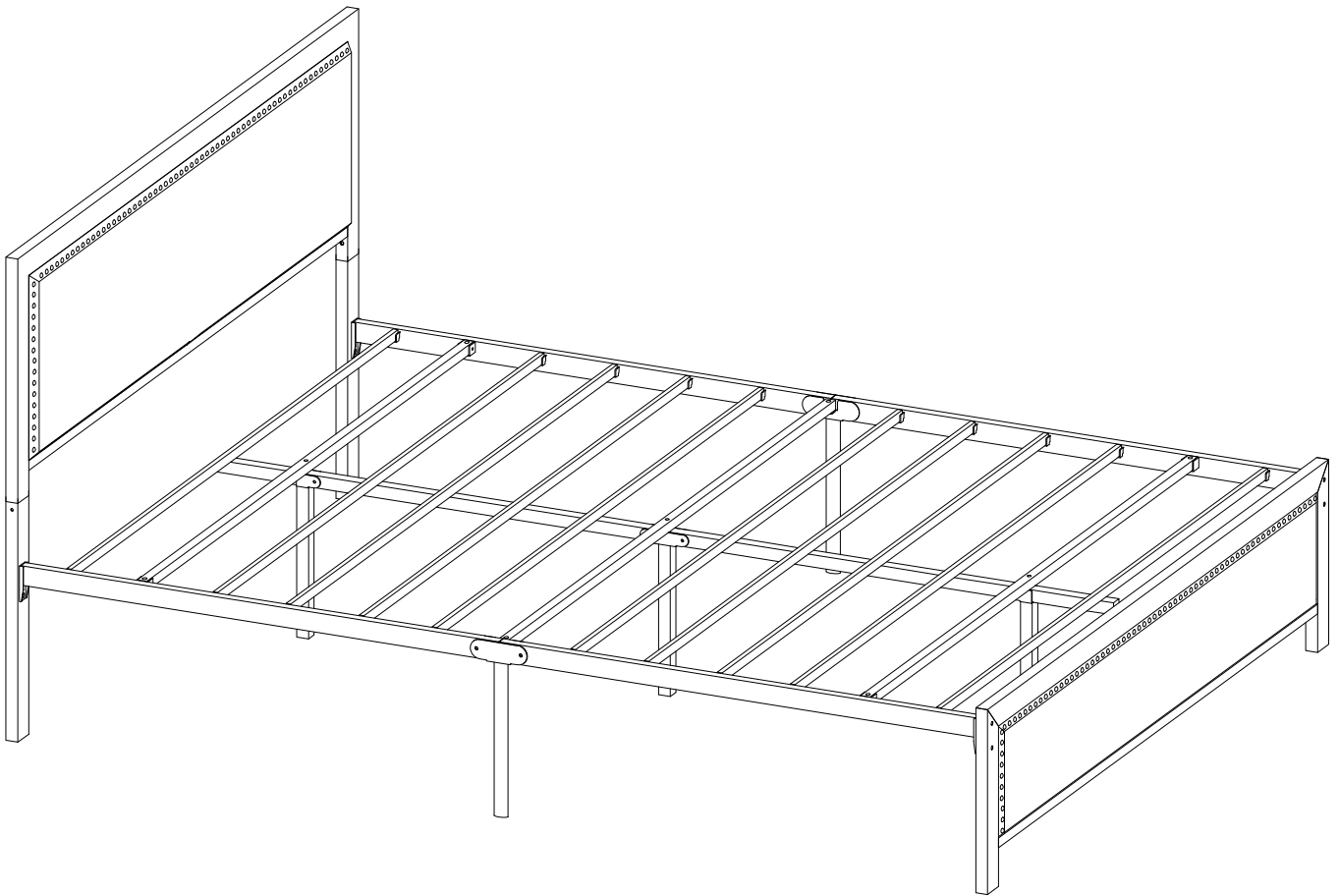
1. Tighten screw B.

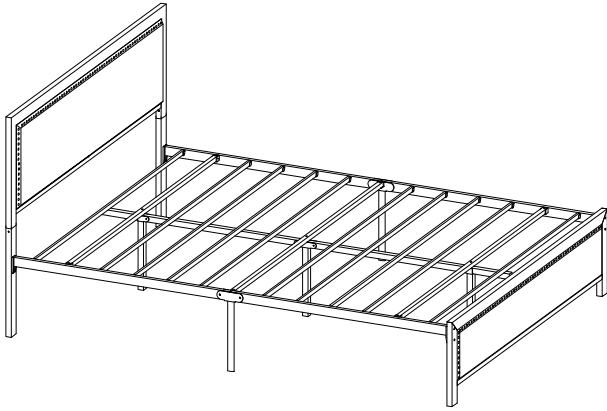
step 5



step 6

Check and tighten all screws





Bed Frame
