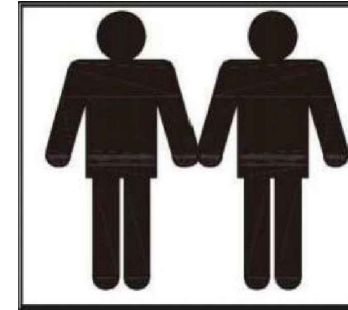
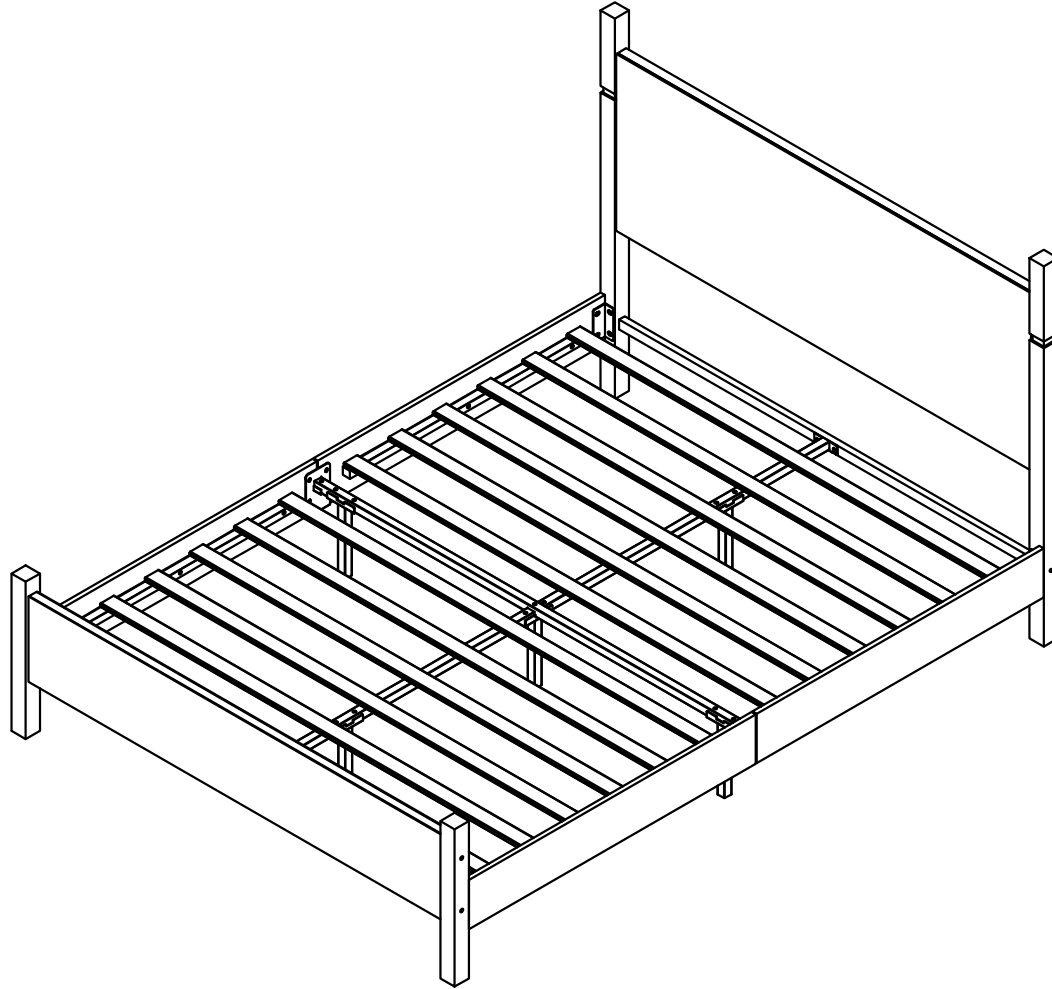


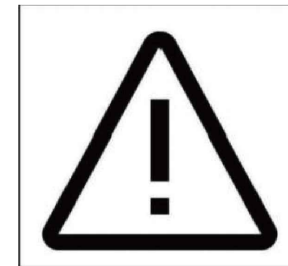
# Assembly Instruction

Note:

1. Should be assembled on flat ground to keep balance.
2. Before completing the installation, do not tighten the screws.

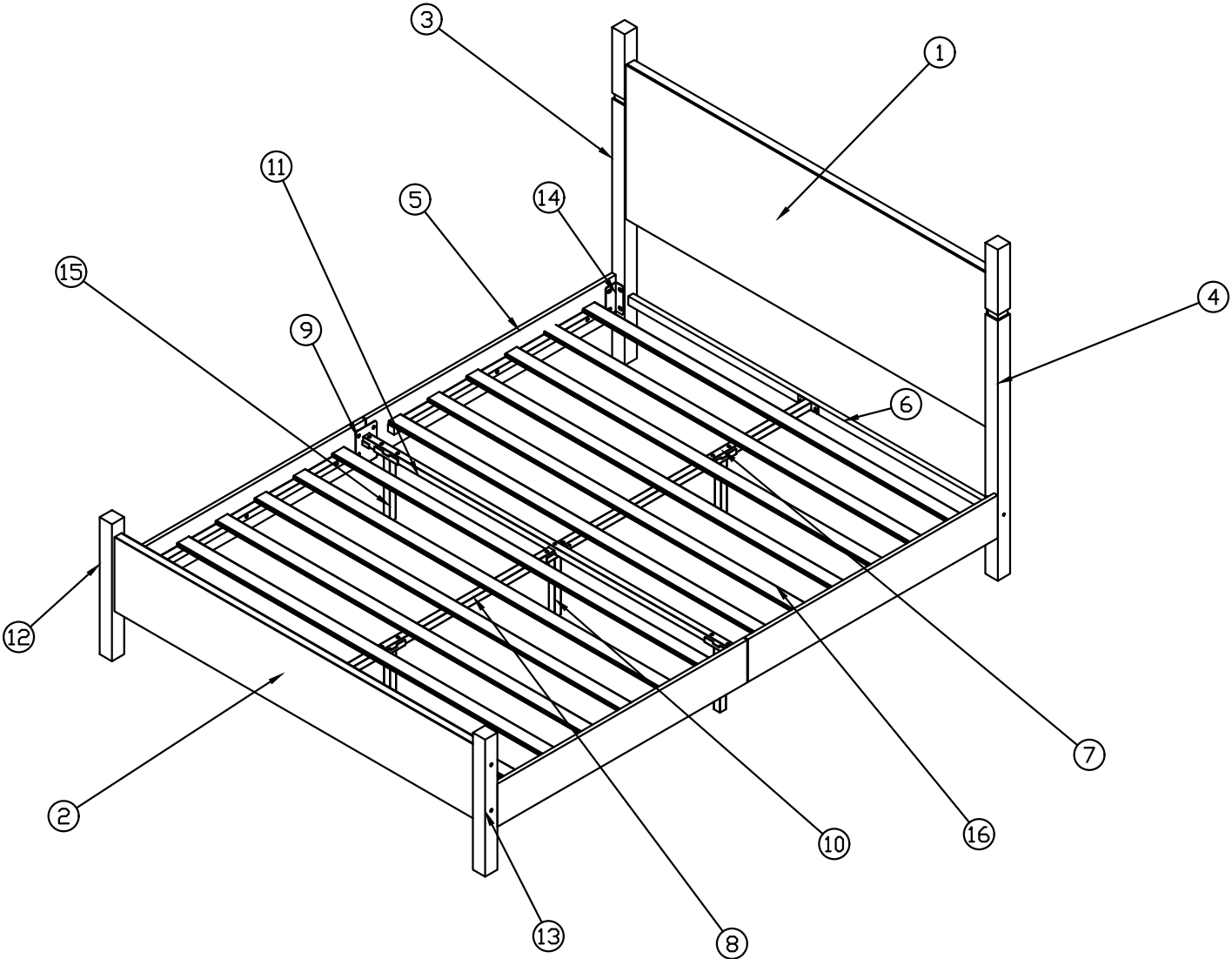


It needs at least two people to install.







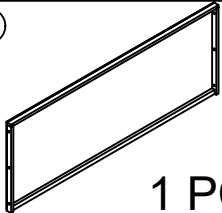

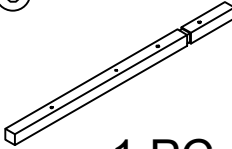
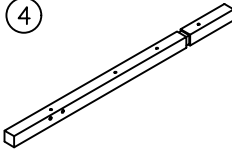
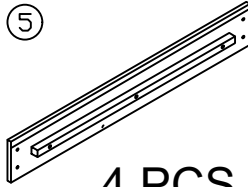
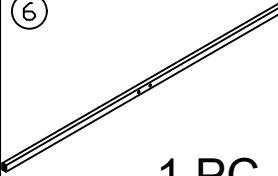
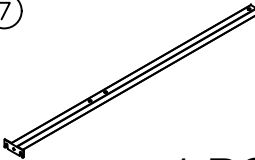
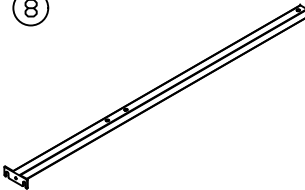
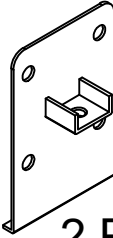
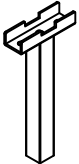
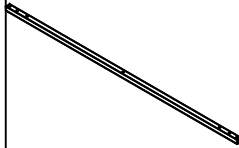
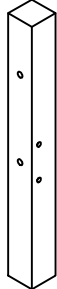

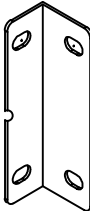
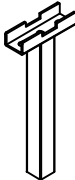
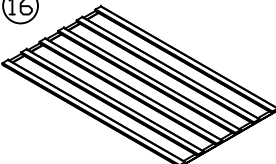
Before starting the assembly, you must read the whole manual and follow the instructions.

# Assembly Instruction



# Assembly Instruction

## Hardware Parts

 <p>Ⓐ M8x20 28pcs</p>	 <p>Ⓑ M8x35 18pcs</p>	 <p>Ⓒ M8x60 7pcs</p>	 <p>Ⓓ 4 # 1pc</p>			
<h3>Part list</h3>						
 <p>① 1 PC</p>	 <p>② 1 PC</p>	 <p>③ 1 PC</p>	 <p>④ 1 PC</p>	 <p>⑤ 4 PCS</p>	 <p>⑥ 1 PC</p>	 <p>⑦ 1 PC</p>
 <p>⑧ 1 PC</p>	 <p>⑨ 2 PCS</p>	 <p>⑩ 3 PCS</p>	 <p>⑪ 1 PC</p>	 <p>⑫ 1 PC</p>	 <p>⑬ 1 PC</p>	 <p>⑭ 4 PCS</p>
 <p>⑮ 2 PCS</p>	 <p>⑯ 2 PCS</p>					

# Assembly

# Instruction

**B**



M8x35 6PCS

**D**



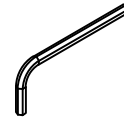
1PC

**C**

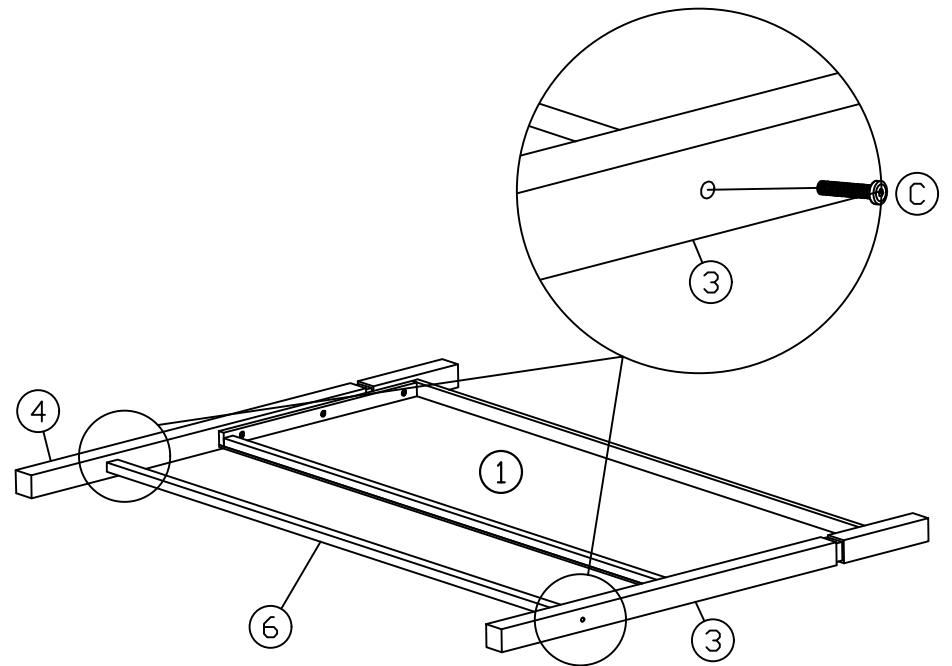
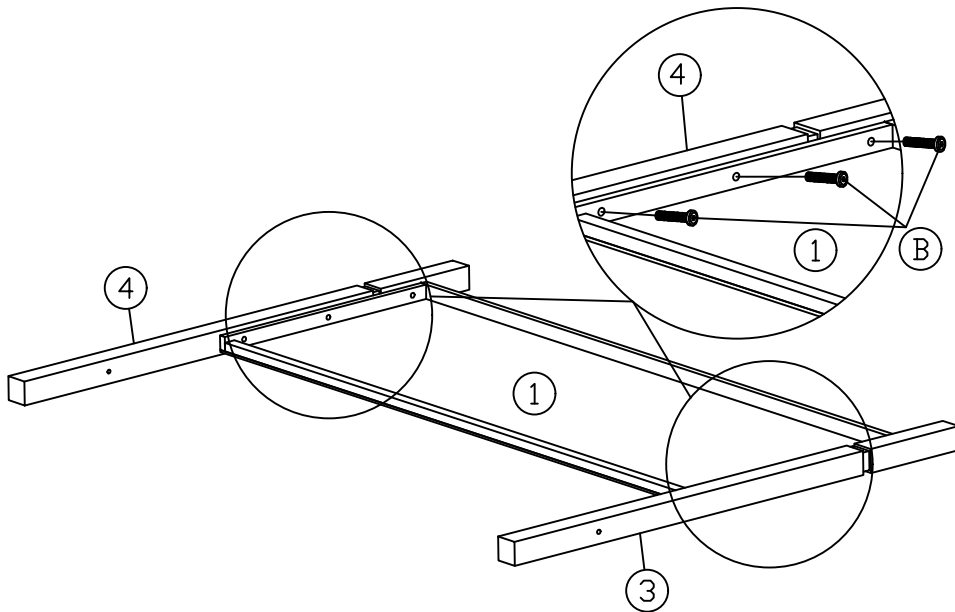


M8x60 2PCS

**D**





1PC

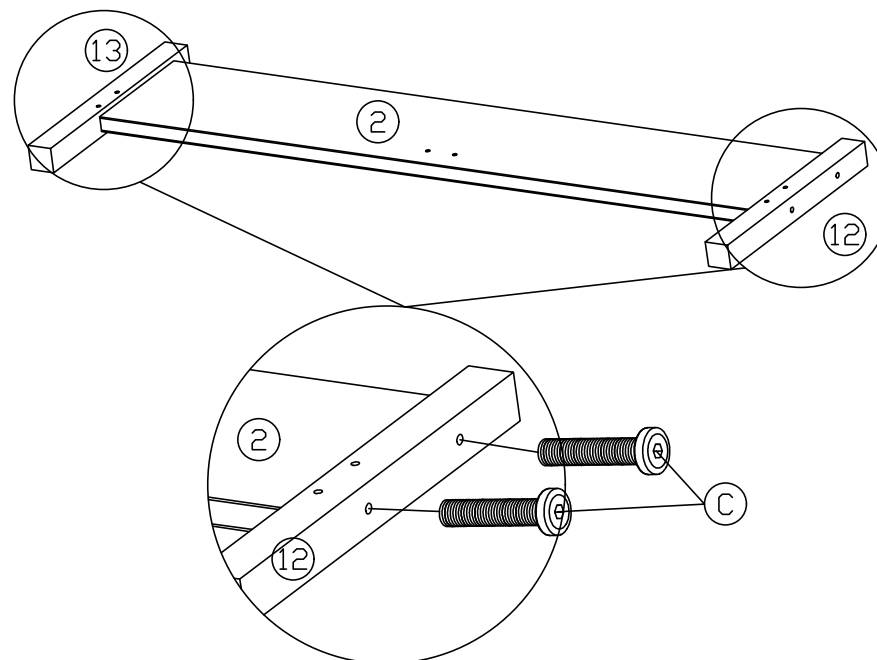
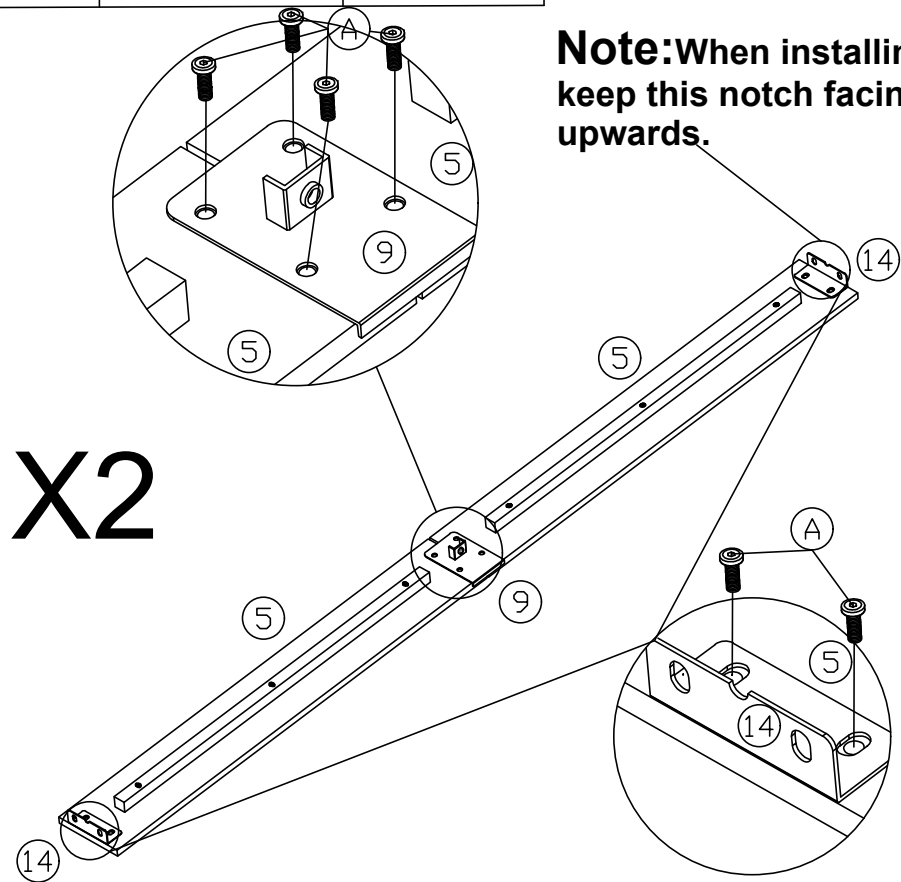


# Assembly Instruction

A		16PCS
D		1PC



C		4PCS
D		1PC

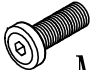
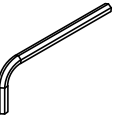
**Note:**When installing, keep this notch facing upwards.

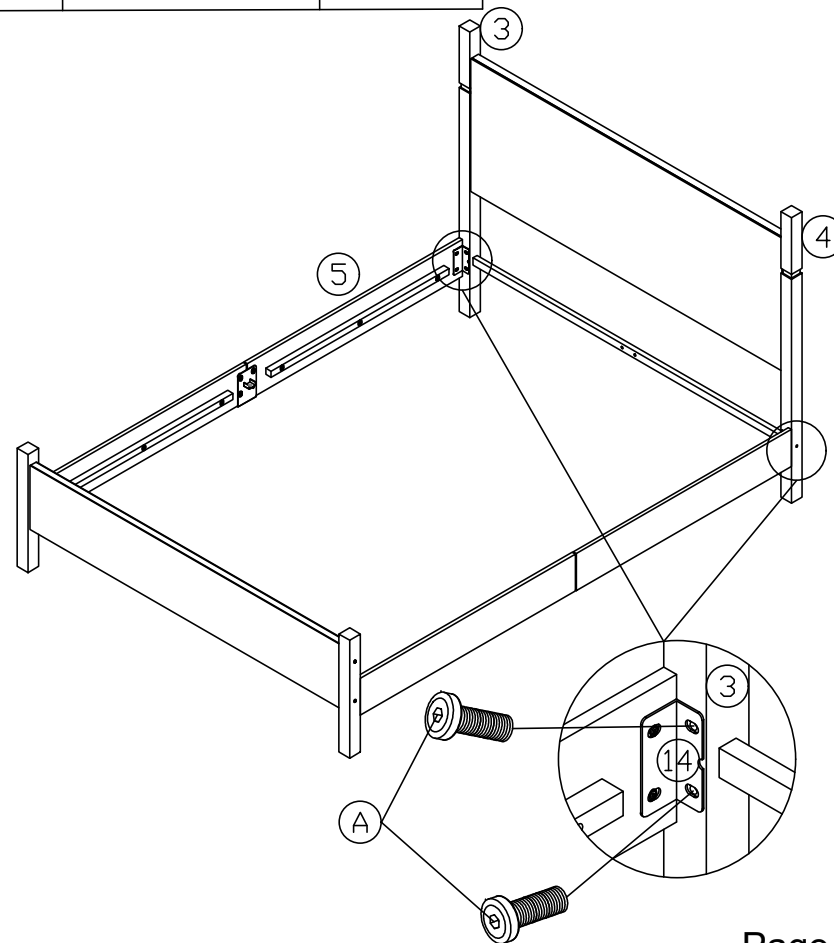
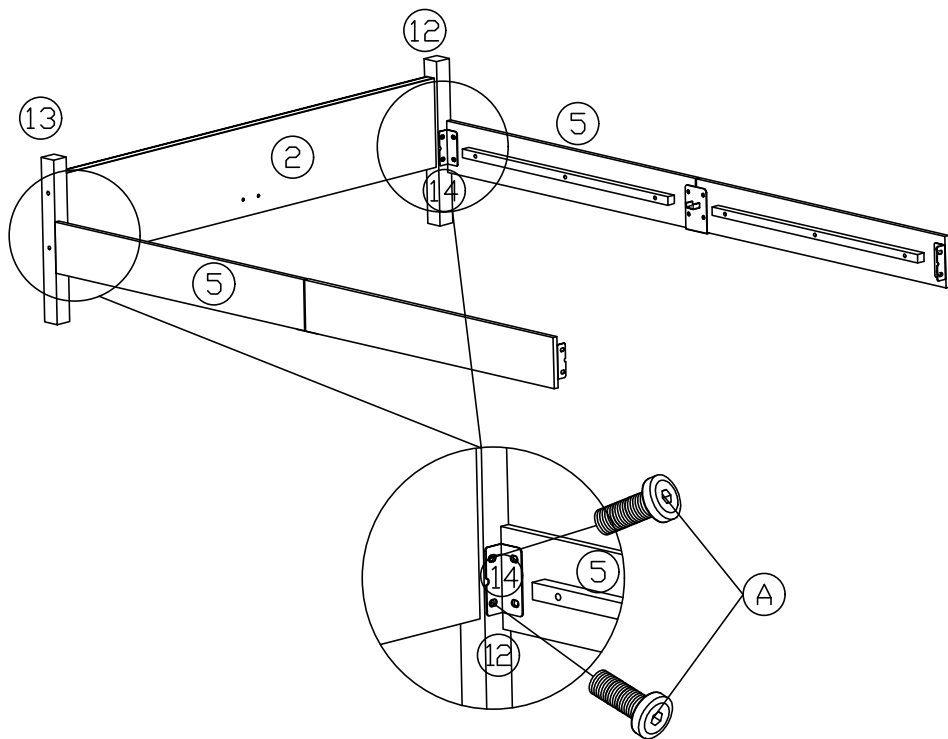


# Assembly




# Instruction

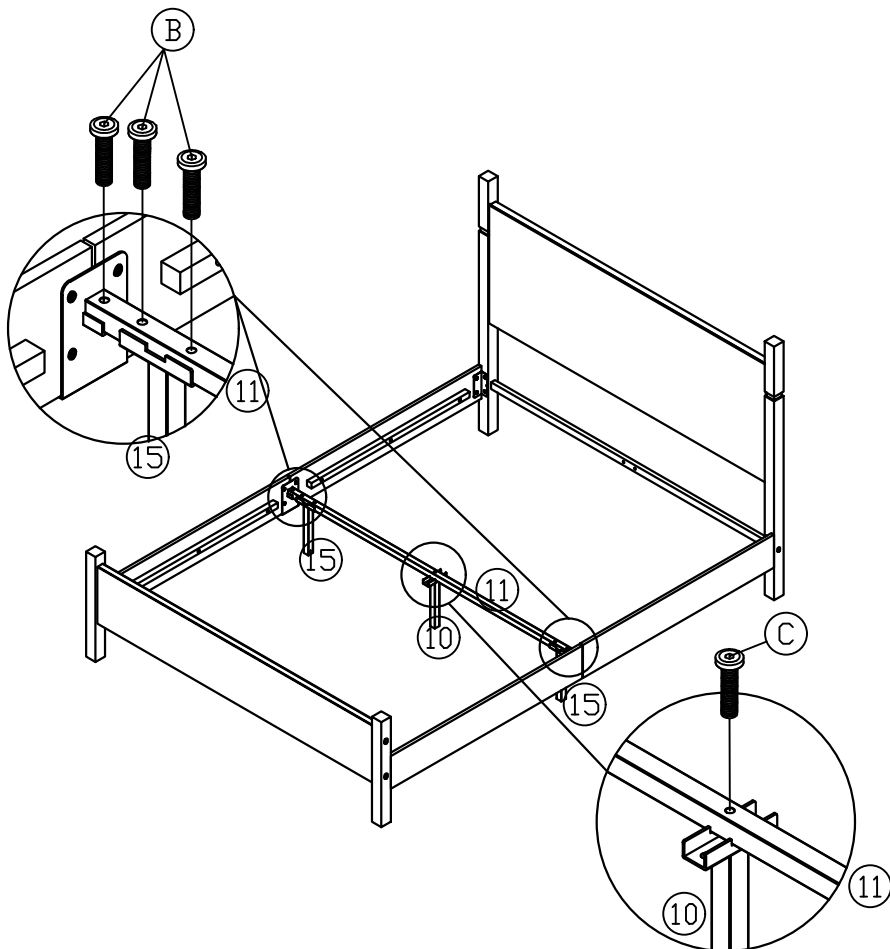
<b>A</b>	 M8x20	4PCS
<b>D</b>		1PC



<b>A</b>	 M8x20	4PCS
<b>D</b>		1PC

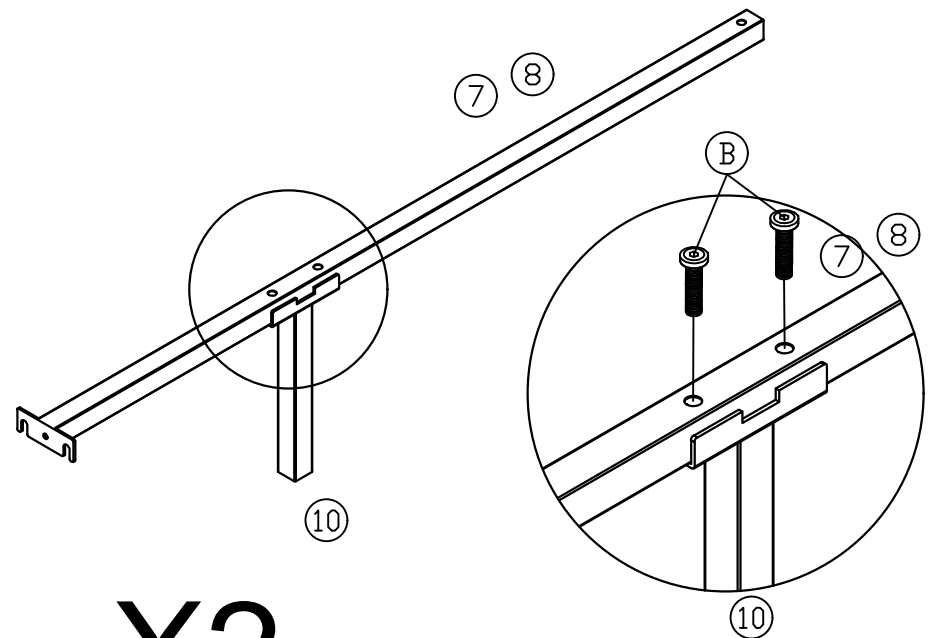


# Assembly Instruction

B	 M8x35	6PCS
C	 M8x60	1PC
D		1PC






B	 M8x35	4PCS
D		1PC



**X2**

# Assembly Instruction

A		M8x20	4PCS
B		M8x35	2PCS
D			1PC

