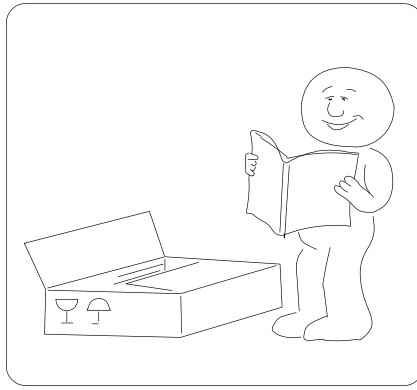
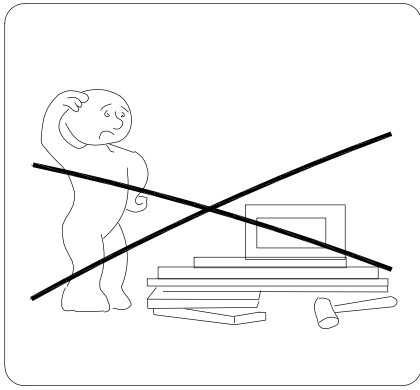


ASSEMBLY AND CARE INSTRUCTION

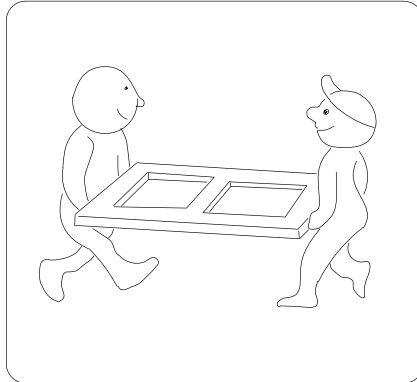
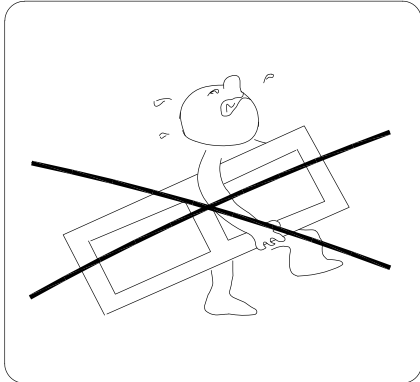
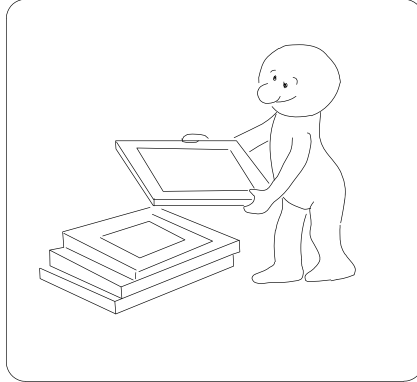
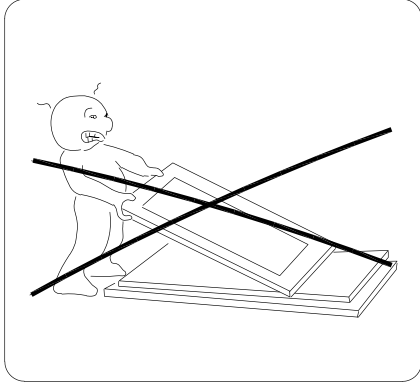
Cat Window Box Catio



WARNING

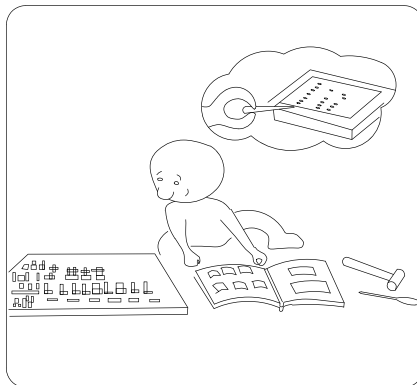
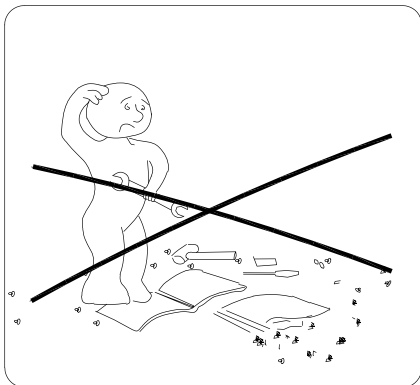


1. PLEASE READ ALL INSTRUCTIONS CAREFULLY BEFORE STARTING ASSEMBLY.
2. DO NOT LET ANY SHARP OBJECTS TOUCH OR RUB THE SURFACE OF THE PRODUCT.
3. WHEN ASSEMBLING, DO NOT LET CHILDREN PLAY AROUND THE WORKING AREA.
4. PLEASE CONFIRM ALL PARTS ARE CORRECT BEFORE STARTING THE ASSEMBLY PROCESS.
5. DO NOT TIGHTEN ALL BOLTS AND SCREWS COMPLETELY UNTIL THE ENTIRE UNIT HAS BEEN ASSEMBLED AND SET UP.

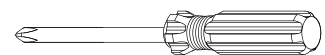
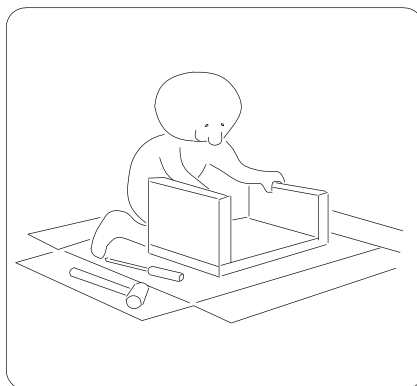
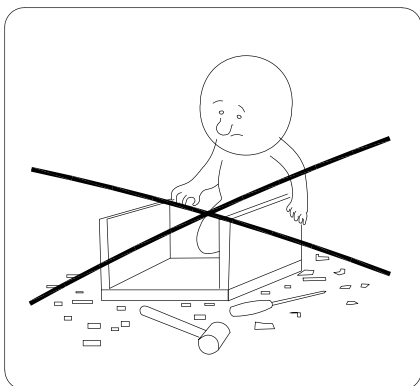


ADVISE

1. DO NOT SIT OR STAND ON THIS PRODUCT. IT IS INTENDED FOR PETS ONLY.
2. THIS PRODUCT SHOULD BE ASSEMBLED BY AN ADULT.
3. PLEASE PUT THE PRODUCT ON A SMOOTH SURFACE AFTER YOU ASSEMBLED IT.
4. PLACE ALL PARTS ON A CLEAN AND SMOOTH SURFACE SUCH AS A RUG OR CARPET TO AVOID THE PARTS FROM BEING SCRATCHED.
5. THE SCREW OF HINGE ON THE DOOR ALSO CAN BE ADJUSTABLE, TO MAKE IT EVEN THEN TIGHTEN ALL SCREWS.

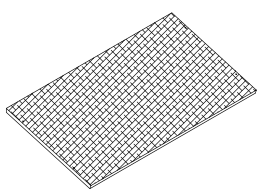
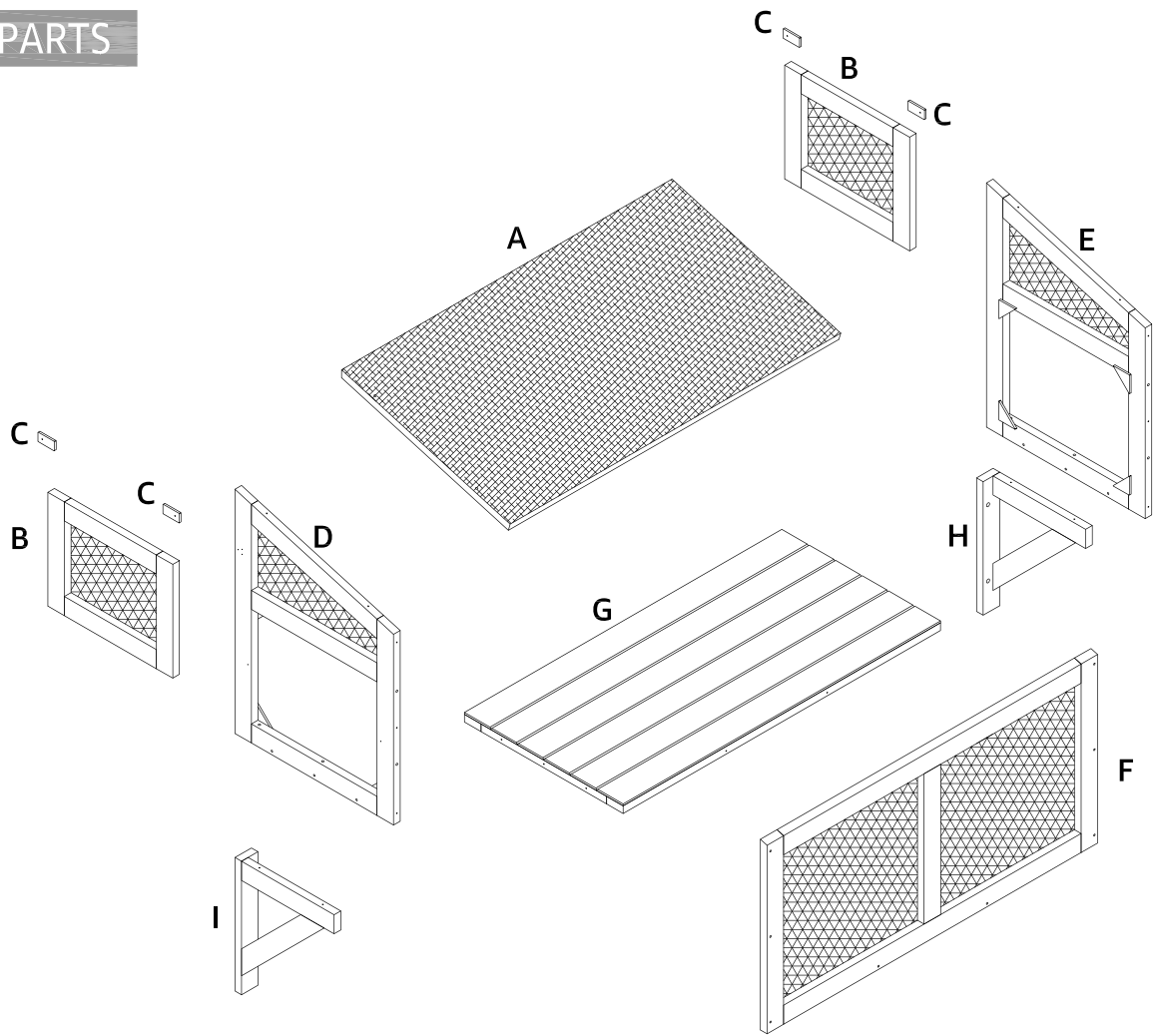


TOOL NEEDED

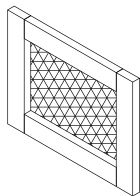


**SCREWDRIVER REQUIRED
- NOT INCLUDED**

PARTS



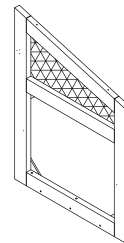
A
Top Panel
x1



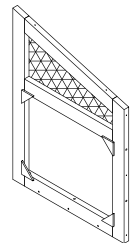
B
Door Panel
x2



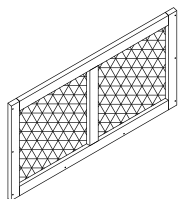
C
Door Stopper
x4



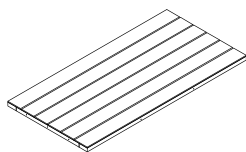
D
Left Side Panel
x1



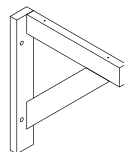
E
Right Side Panel
x1



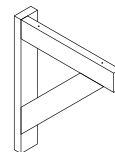
F
Front Panel
x1



G
Bottom Panel
x1



H
Right Support Feet
x1



I
Left Support Feet
x1

HARDWARE



1
x 14 pcs



2
x 4 pcs



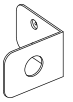
3
x 4 pcs



4
x 4 pcs



5
x 6 pcs



6
x 2 pcs



7
x 4 pcs



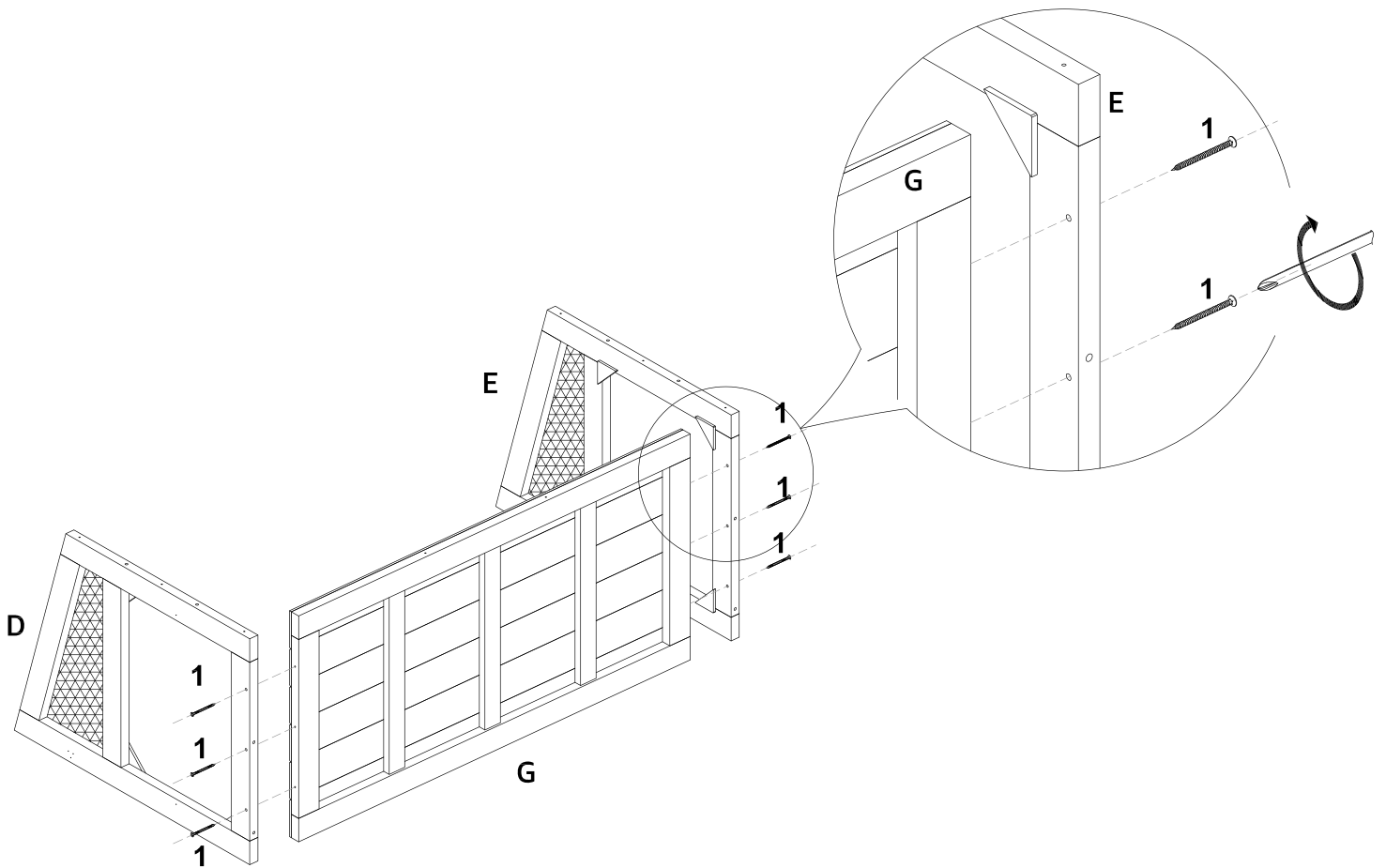
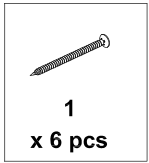
8
x 6 pcs



9
x 1 pc




ASSEMBLY INSTRUCTIONS

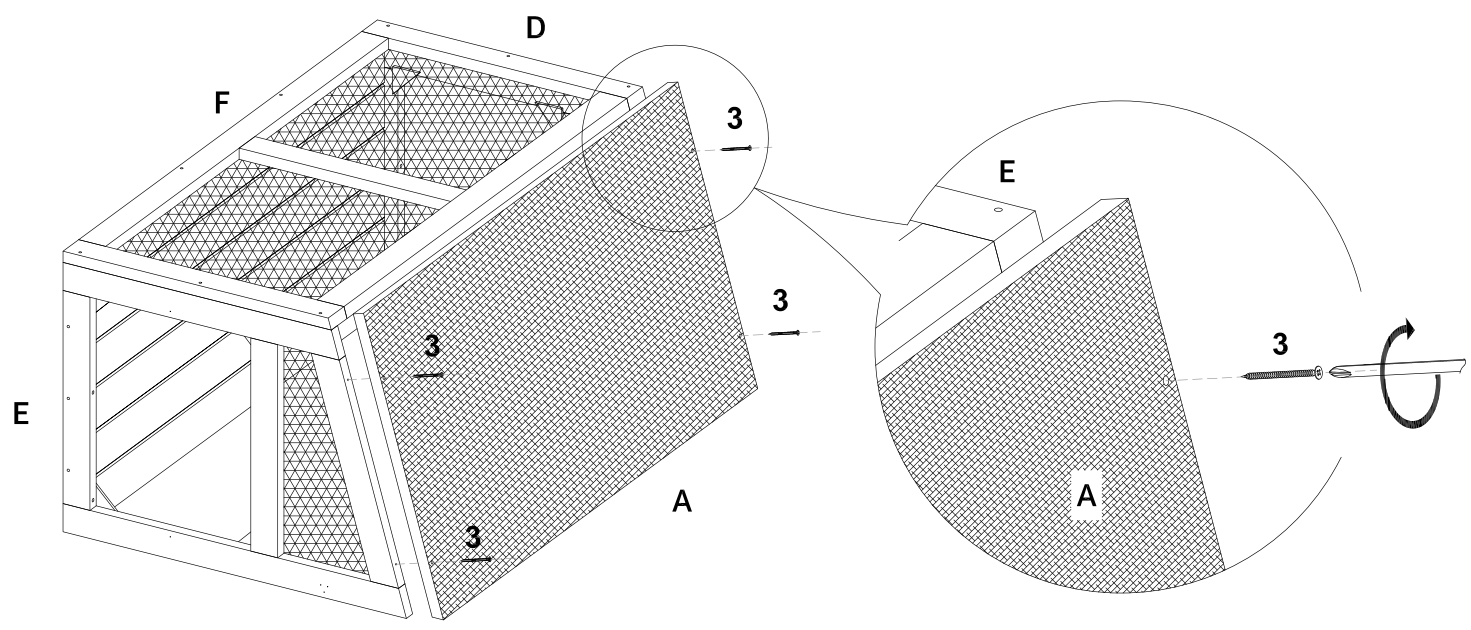
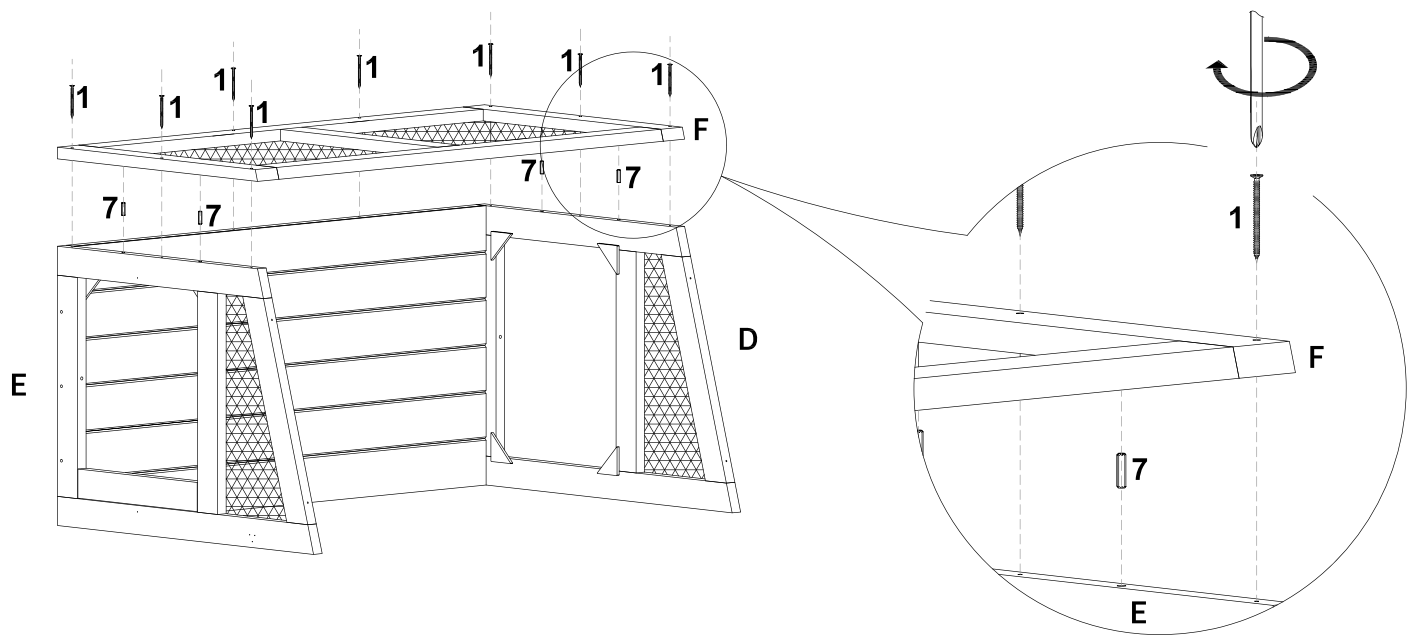
1 Connect left & right side panel D & E to bottom panel G with screw 1.



2

Insert wooden dowel 7 into left & right side panel D & E.
Connect front panel F to left & right side panel D & bottom panel G with screw 1.
Connect top panel A to left & right side panel D & E and front panel F with screw 3.

 1 x 8 pcs	 3 x 4 pcs	 7 x 4 pcs
---	---	---







3

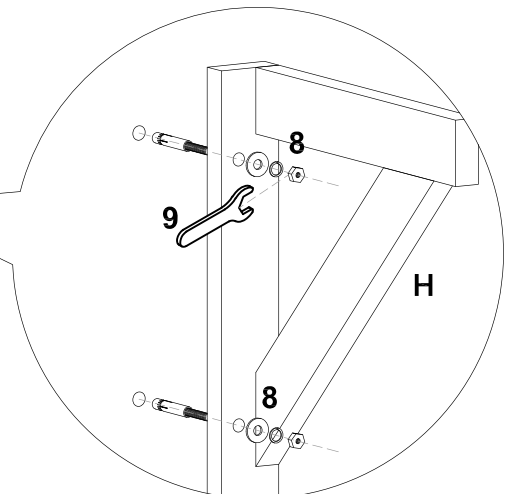
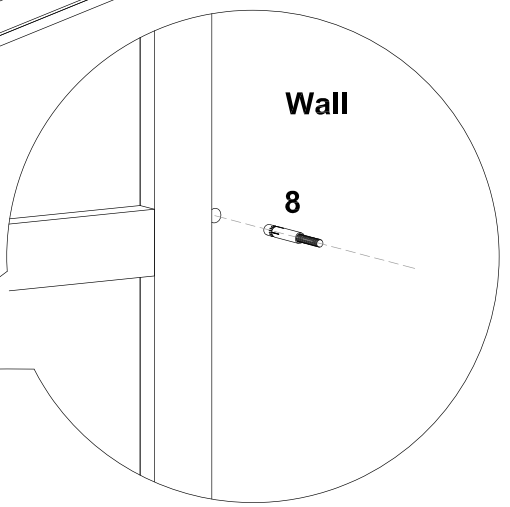
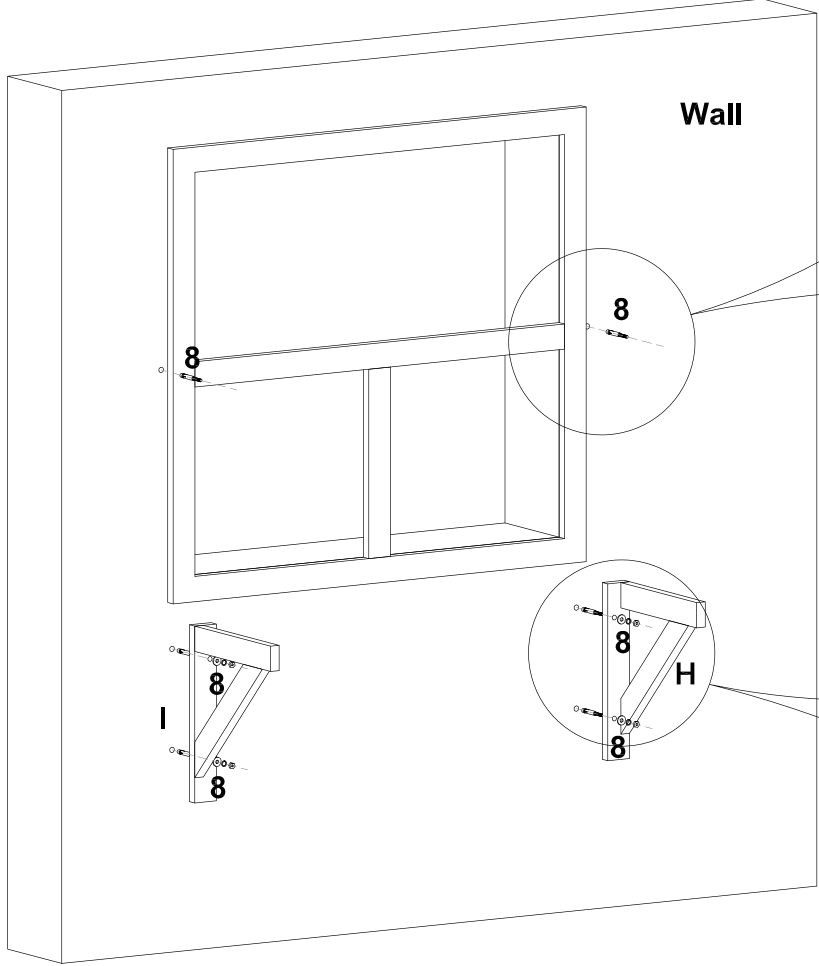
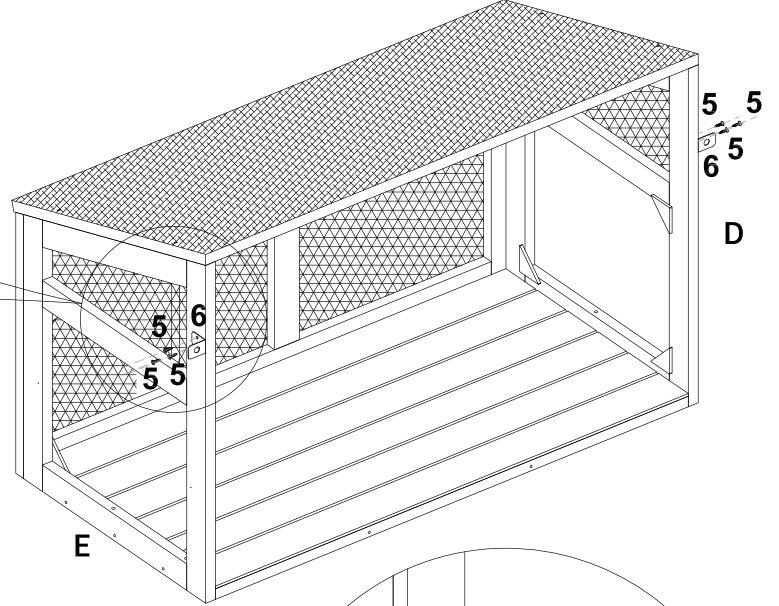
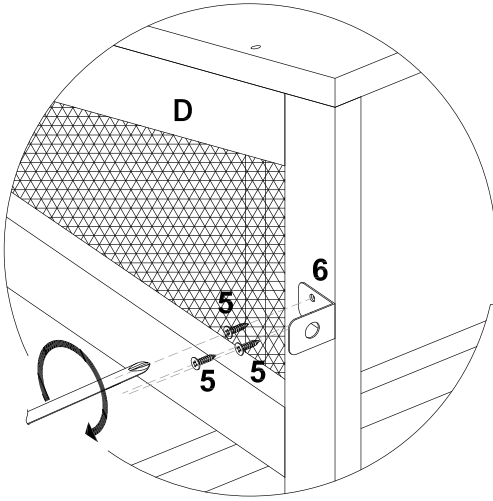
Tighten metal part 6 to left & right side panel D & E with screw 5.

Screw off washer from screw 8.

Tighten left & right support feet I & H to wall with screw 8 and washer by spanner 9.

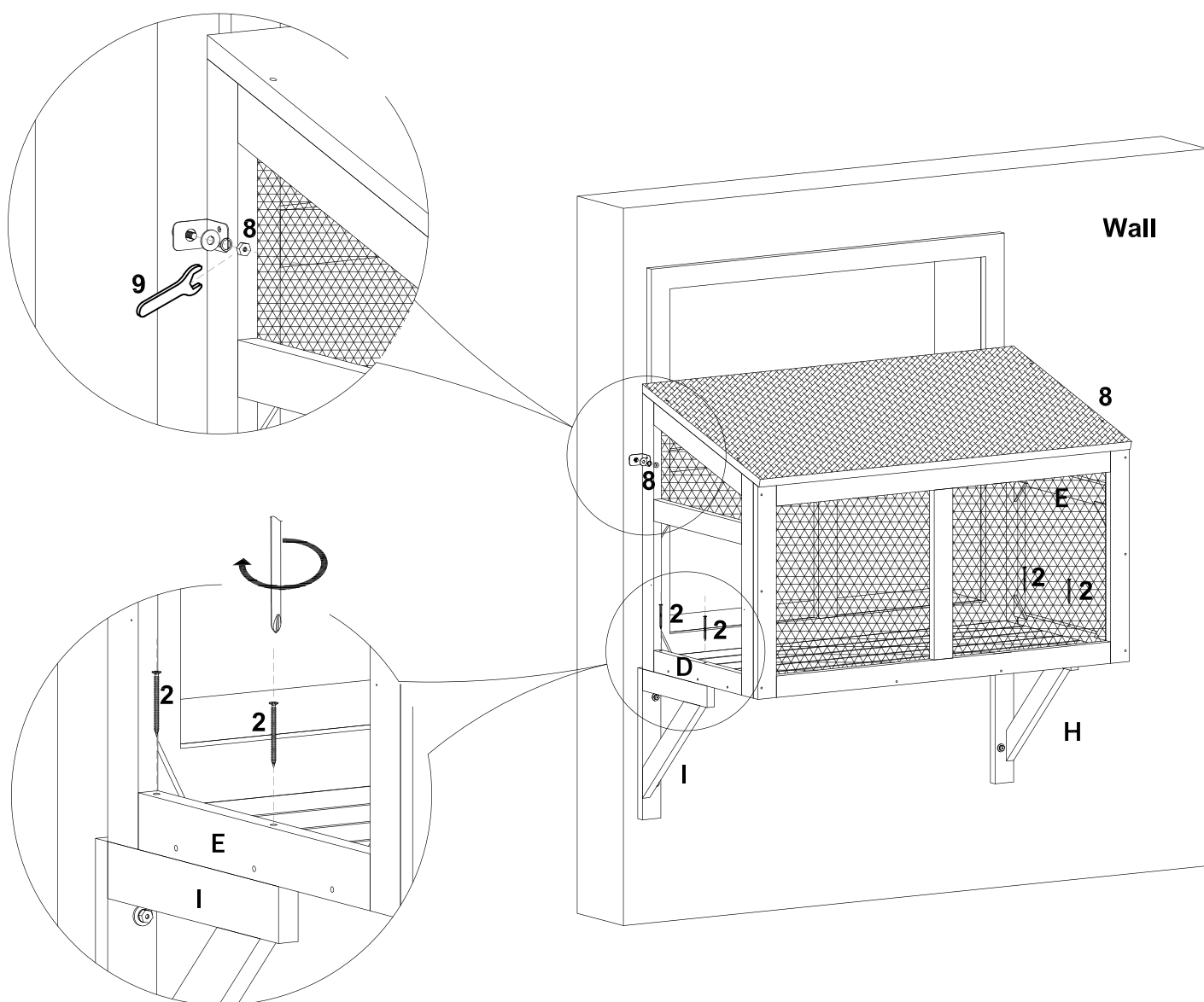
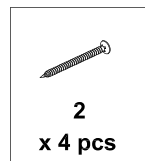
Tighten screw 8 to wall.

			
5 x 6 pcs	6 x 2 pcs	8 x 6 pcs	9 x 1 pc



4

Put assembled cat box on left & right support feet I & H, then tighten it to wall through screw 8 already fixed on wall and screw washer for fixing by spanner 9. Tighten left & right side panel D & E to left & right support feet I & H with screw 2.



5 Tighten door stopper C to left & right side panel D & E with screw 4.
Assembly finished.

