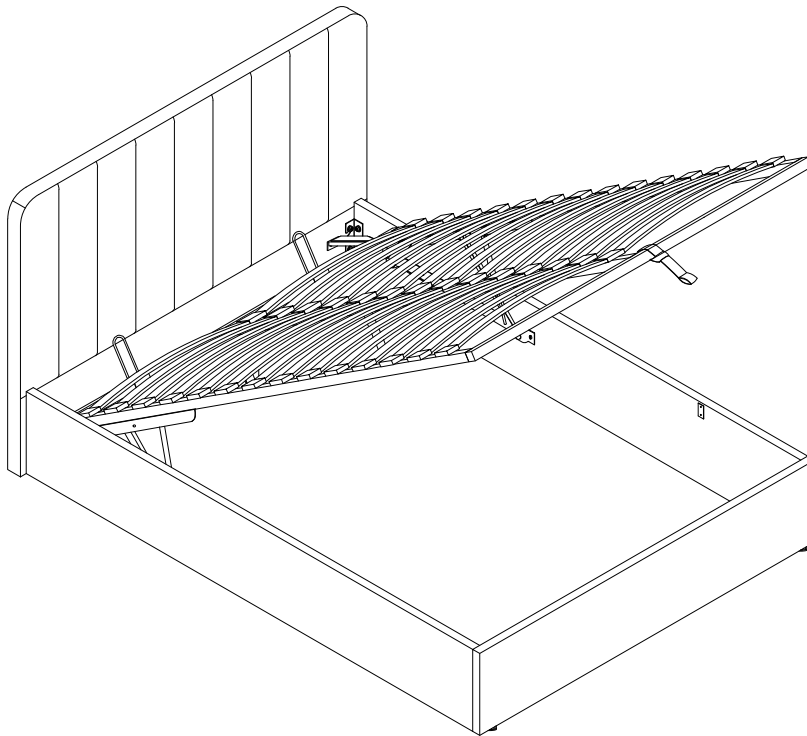
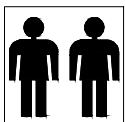


ASSEMBLY INSTRUCTION

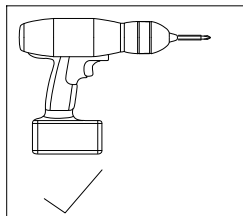


IMPORTANT NOTE

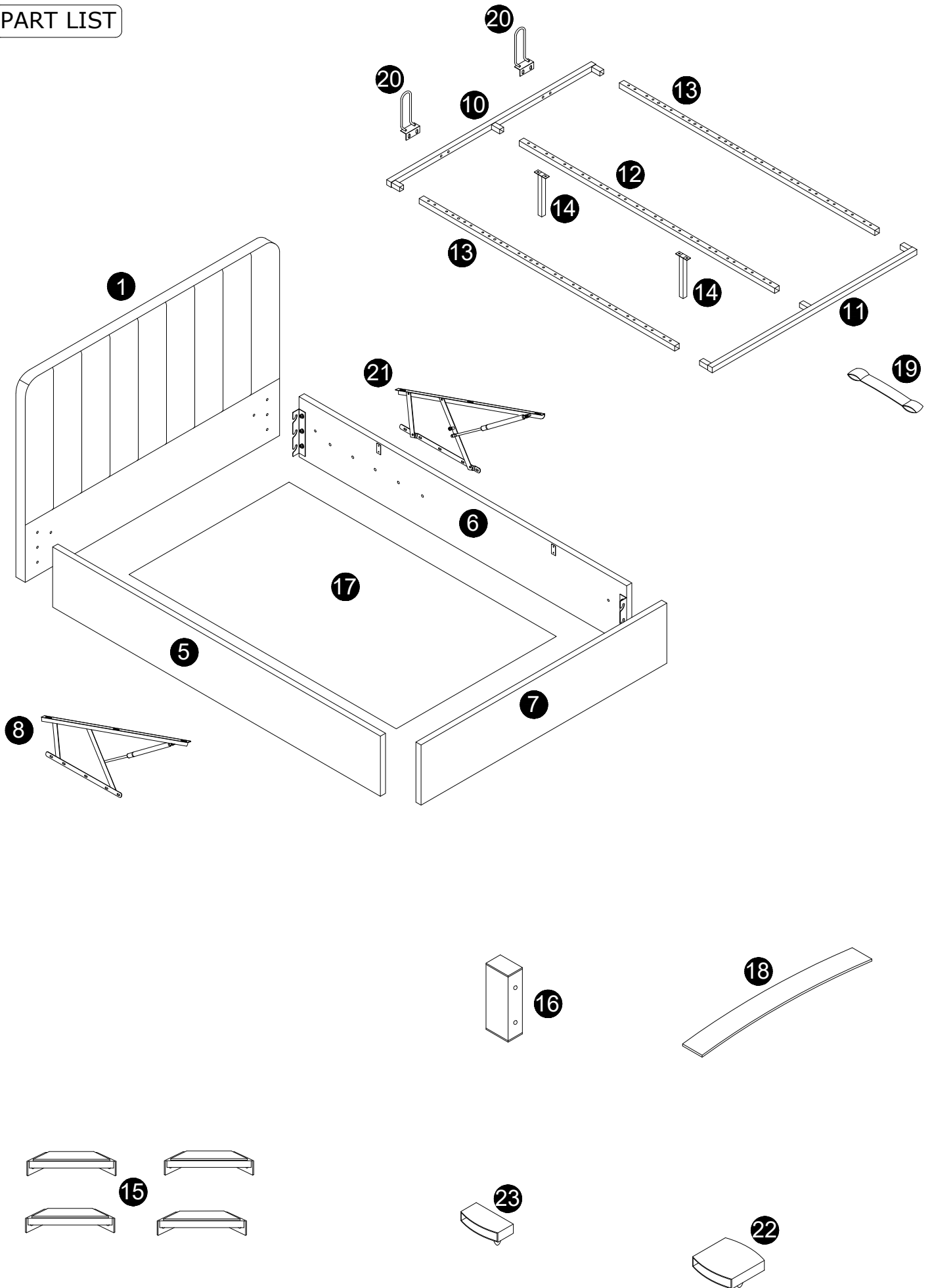
1. FOR THE PROTECTION OF YOUR FURNITURE, PLACE ALL PARTS ON A CLEAN AND SMOOTH SURFACE TO PREVENT ANY DAMAGE.
2. KEEP FITTINGS OUT OF CHILDREN'S REACH AND KEEP CHILDREN WELL AWAY FROM CONSTRUCTION AREA.
3. WHEN MOVING YOUR ASSEMBLED BED. IT IS BEST TO LIFT THE BED AND NEVER TO DRAG IT.
4. DO NOT USE THIS PRODUCT IF PARTS ARE MISSING, DAMAGED OR WORN.
5. THIS PRODUCT SHOULD ONLY BY USED ON FIRM, LEVEL GROUND.
6. PLEASE PERIODICALLY CHECK ALL FITTINGS AND RE-TIGHTEN AS NECESSARY.
7. DO NOT USE THE BED UNLESS ALL BOLTS AND SCREWS ARE FIRMLY SECURED.
8. NEED PARTS OR ASSISTANCE? EMAIL US.



Minimum two
person assembly

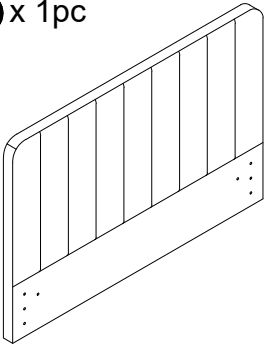


PART LIST

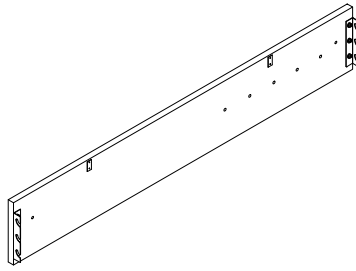


PART LIST

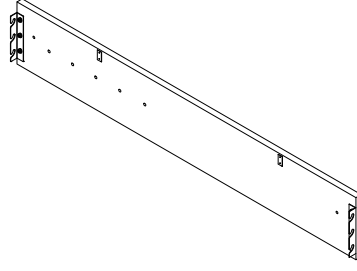
1 x 1pc



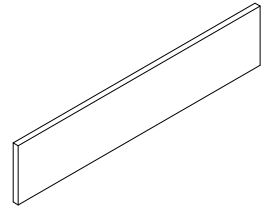
5 x 1pc



6 x 1pc

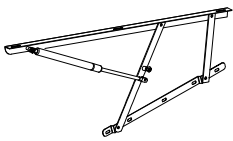


7 x 1pc

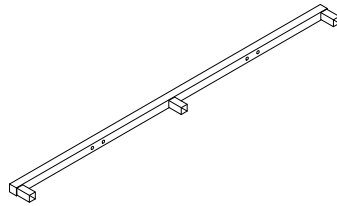


Note: Packed inside the back of the headboard

8 x 1pc

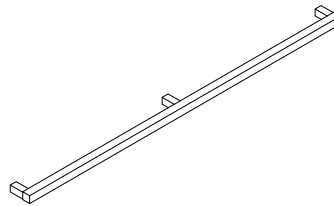


10 x 1pc



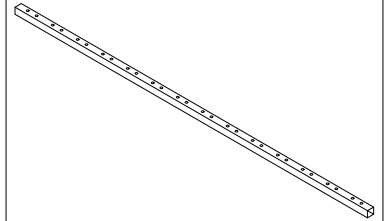
Note: Packed inside the back of the headboard

11 x 1pc

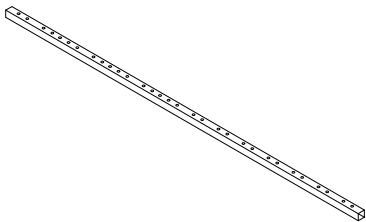


Note: Packed inside the back of the headboard

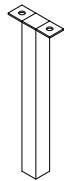
12 x 1pc



13 x 2pcs

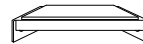


14 x 2pcs



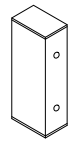
Note: Packed inside the back of the headboard

15 x 4pcs



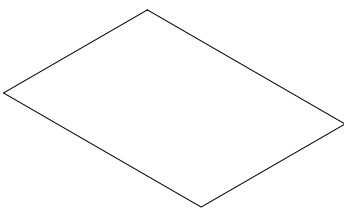
Note: Packed inside the back of the headboard

16 x 1pc



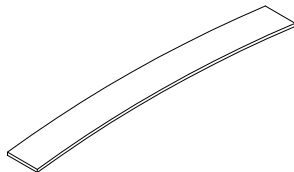
Note: Packed inside the back of the headboard

17 x 1pc



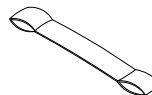
Note: Packed inside the back of the headboard

18 Double Size x 28pcs
Queen Size x 30pcs



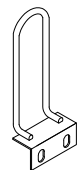
Note: Packed inside the back of the headboard

19 x 1pc



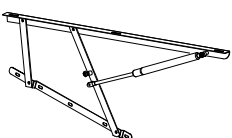
Note: Packed inside the back of the headboard

20 x 2pcs

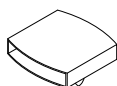


Note: Packed inside the back of the headboard

21 x 1pc



22 Double Size x 14pcs
Queen Size x 15pcs




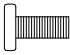




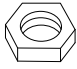
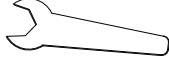
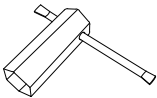
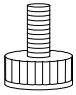
Note: Packed inside the back of the headboard

23 Double Size x 28pcs
Queen Size x 30pcs



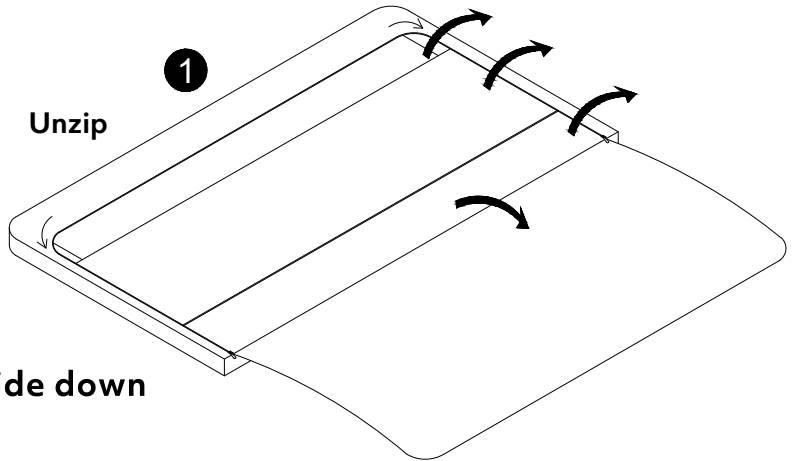
Note: Packed inside the back of the headboard

HARDWARE LIST

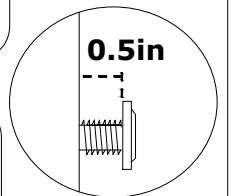
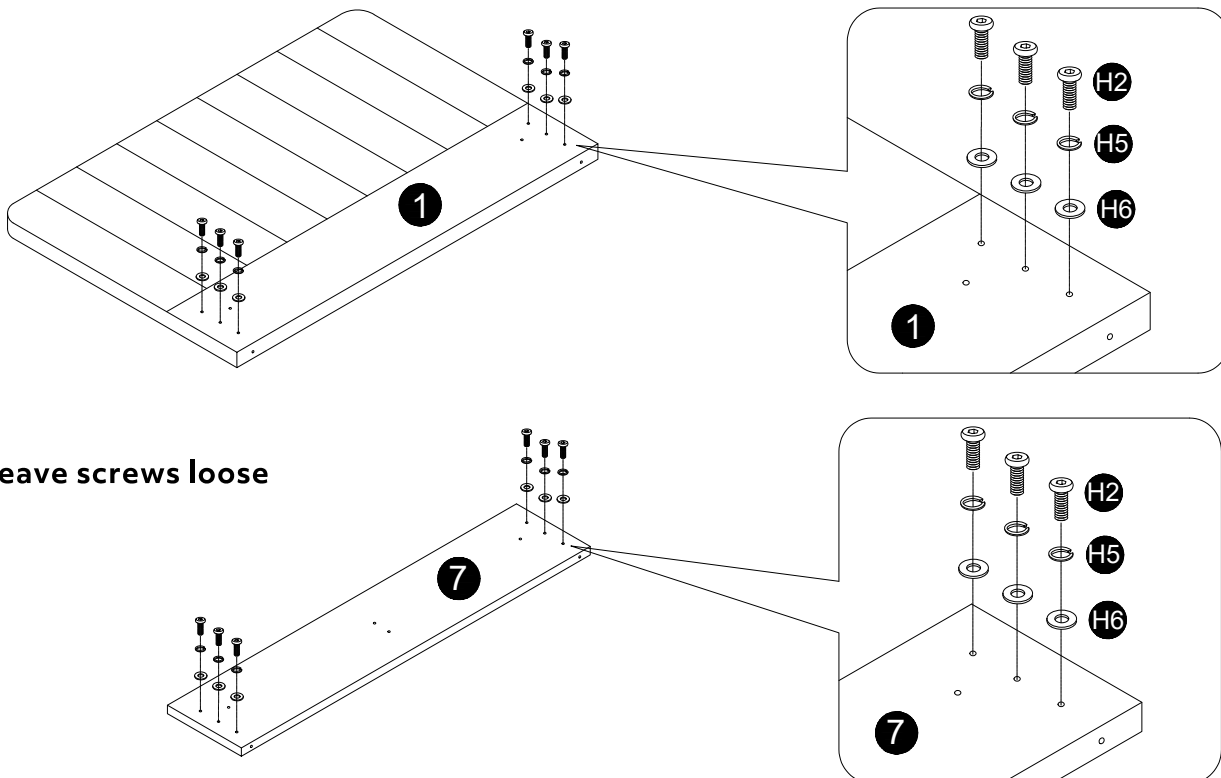
 H1 M5 x 1pc	 H2 M8x25mm x 50pcs	 H3 M8x45mm x 6pcs	 H4 M8x60mm x 2pcs
 H5 M8 x 34pcs	 H6 M8x17mm x 58pcs	 H7 M8 x 6pcs	 H8 M14 x 1pc
 H9 x 1pc	 H10 x 4pcs		

1 Components packed inside back of headboard

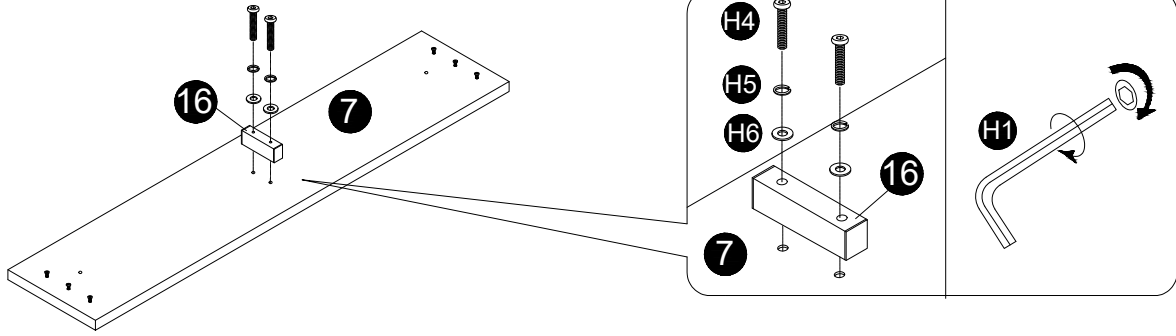
WARNING!
The headboard is heavy.
Lift with care.



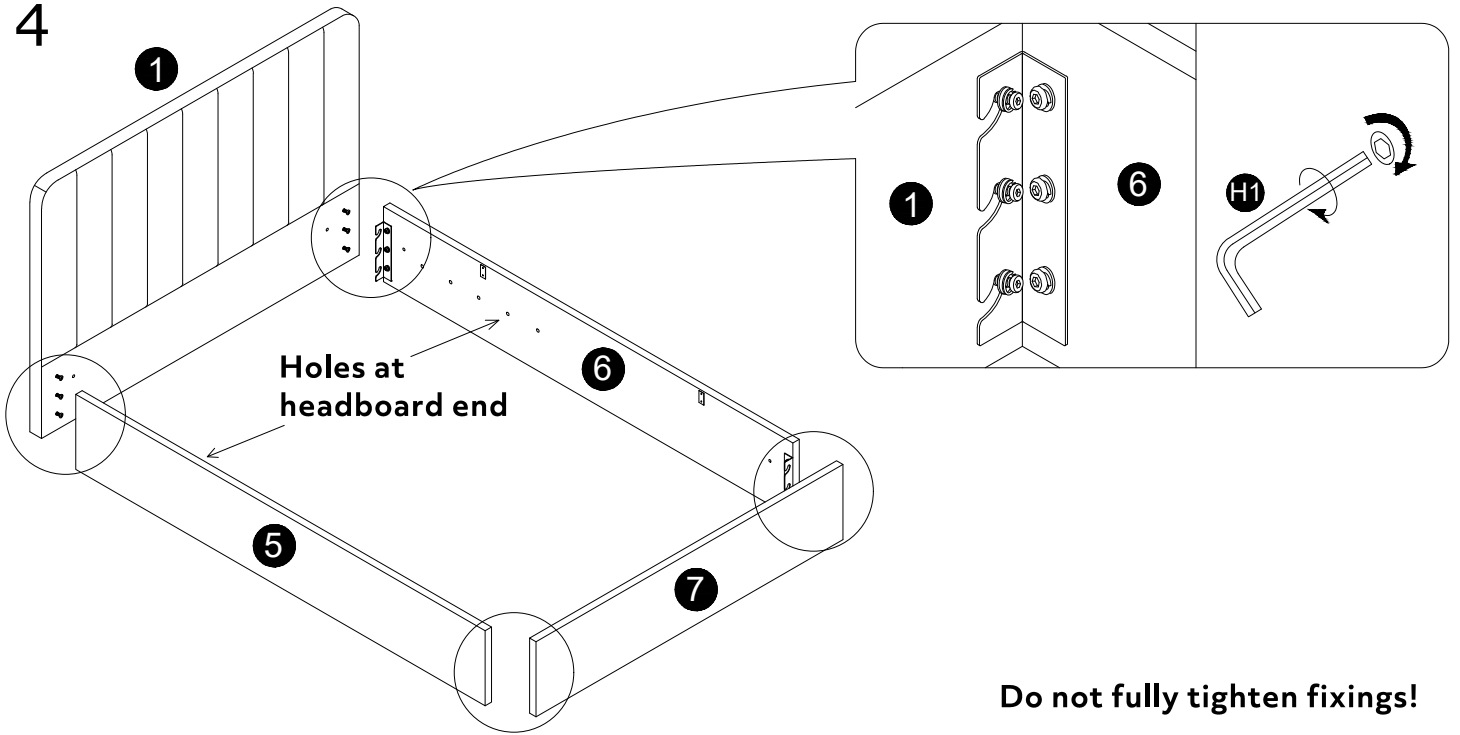
2



3

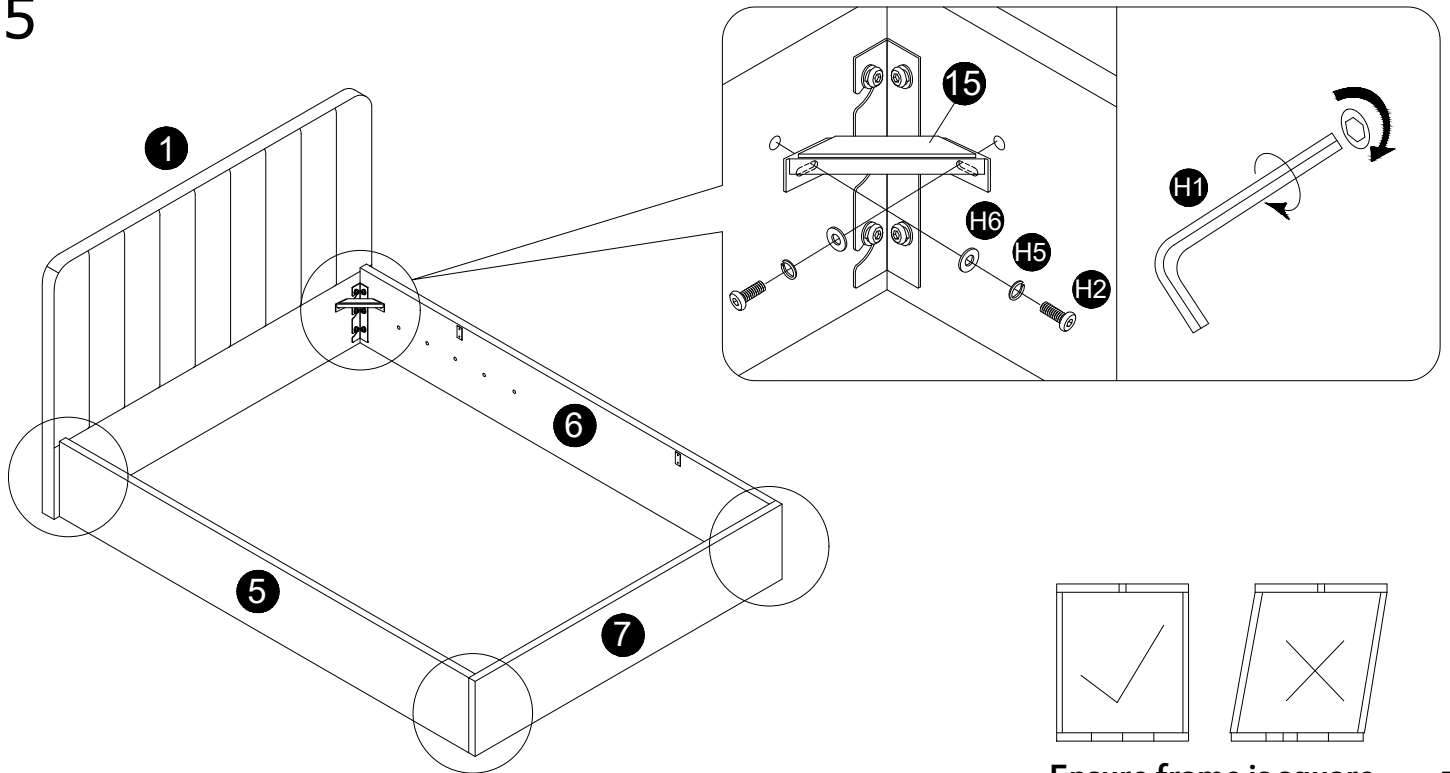


4



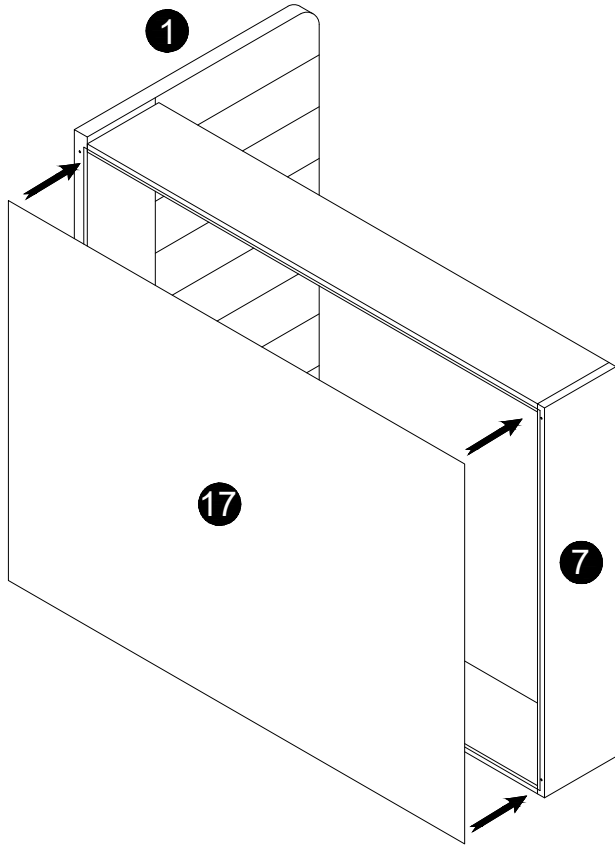
Do not fully tighten fixings!

5



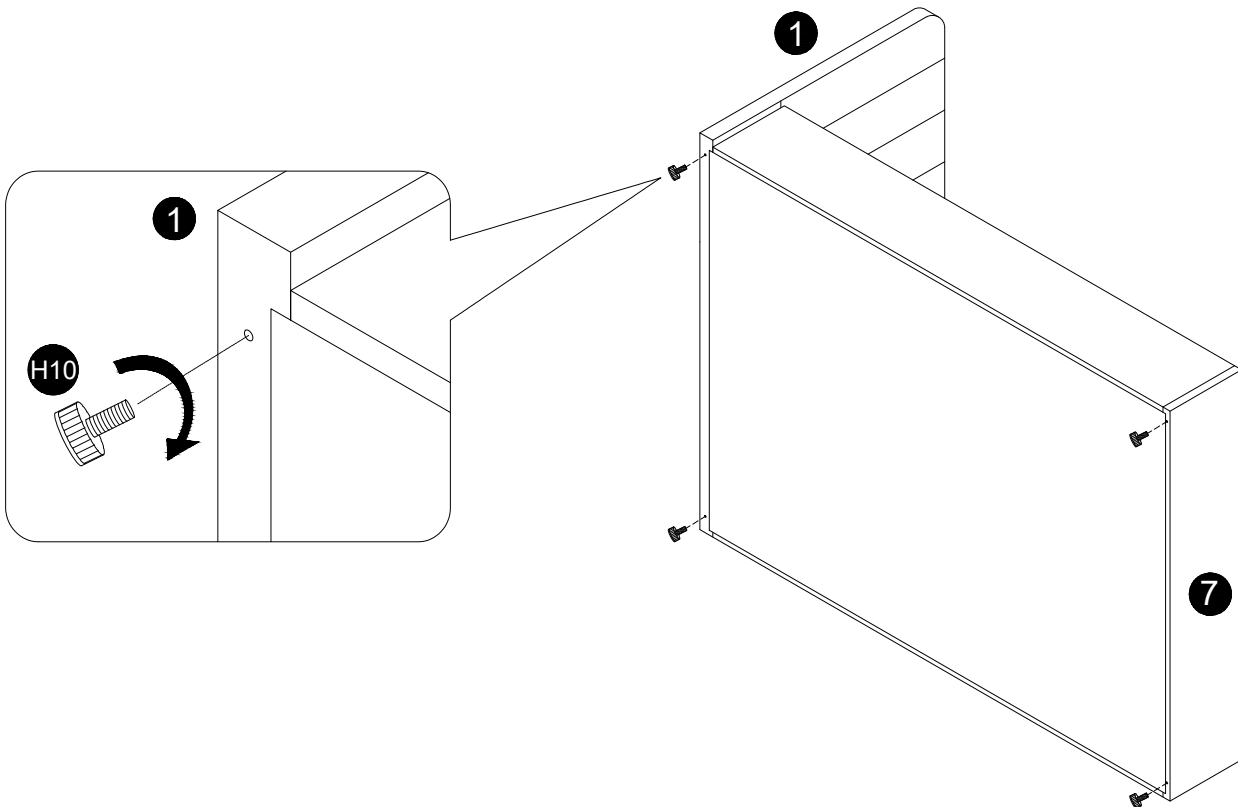
Ensure frame is square

6

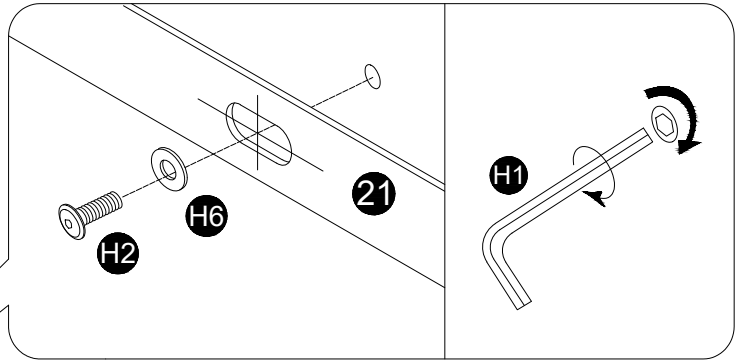
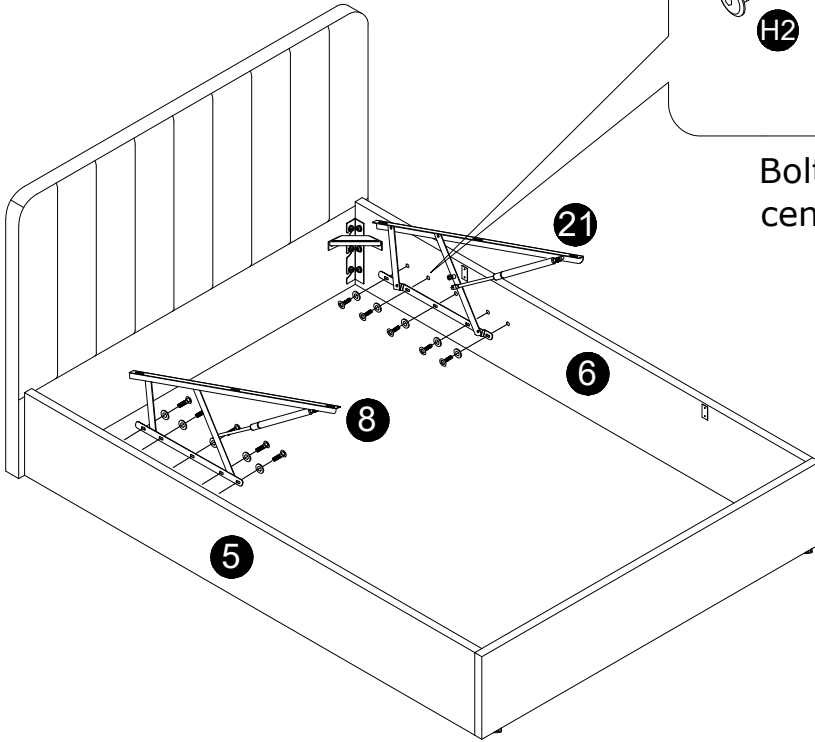


Velcro fastening

7



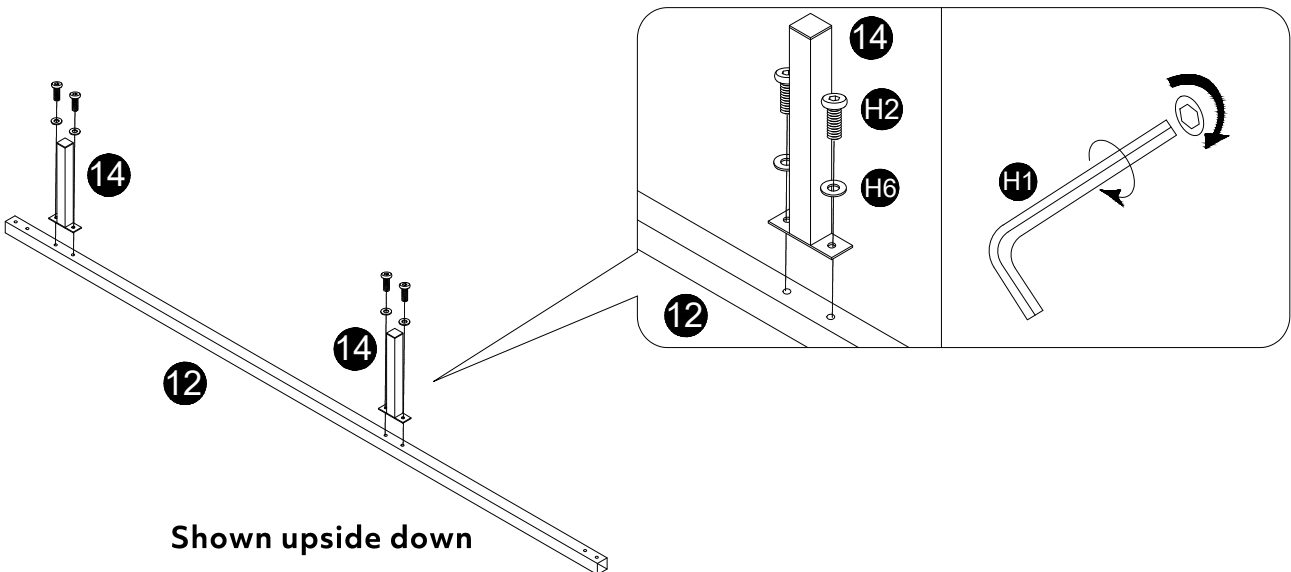
8



Bolts should be in centre of long holes

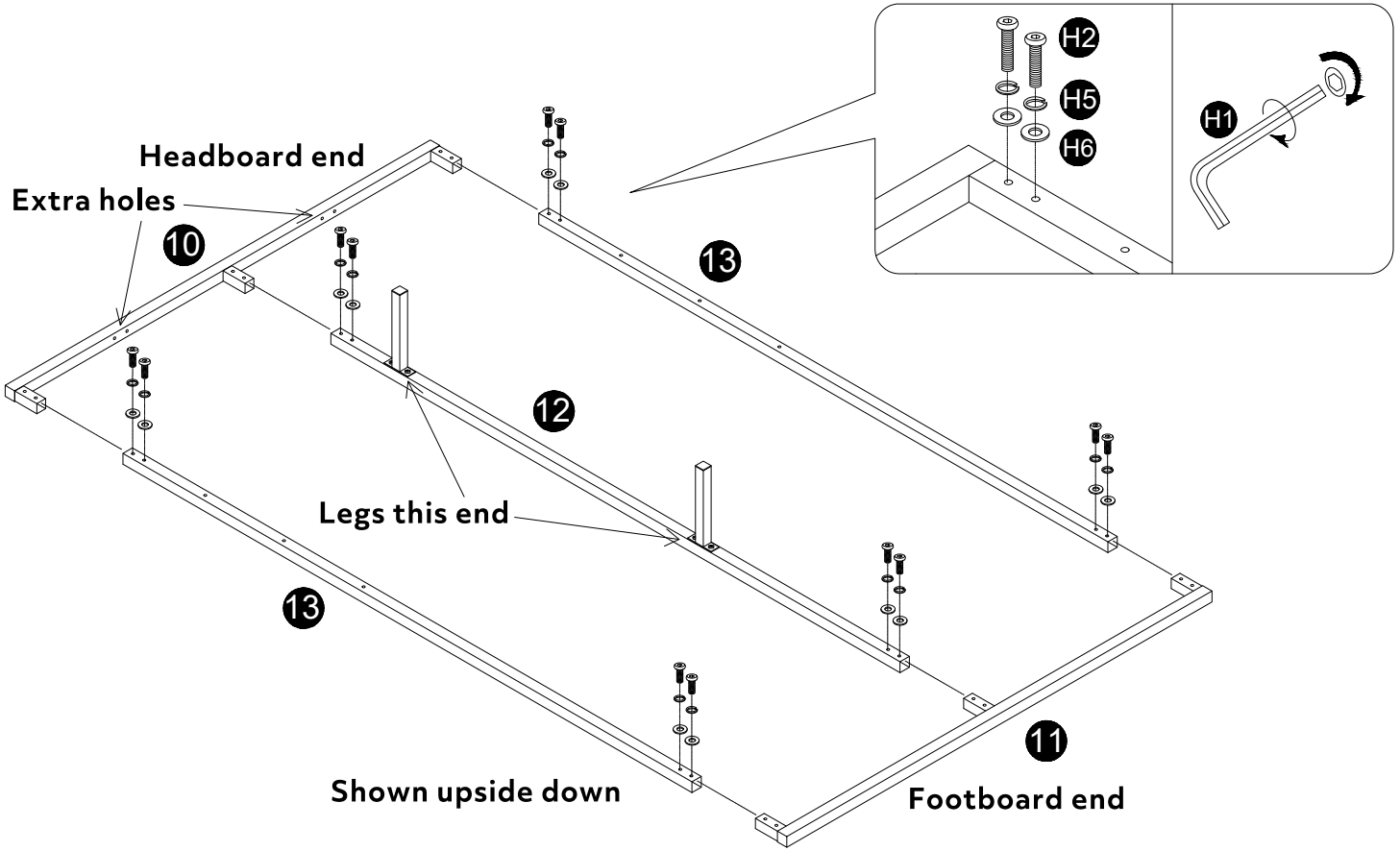
Beware of risk of entrapment from folding hinges!

9

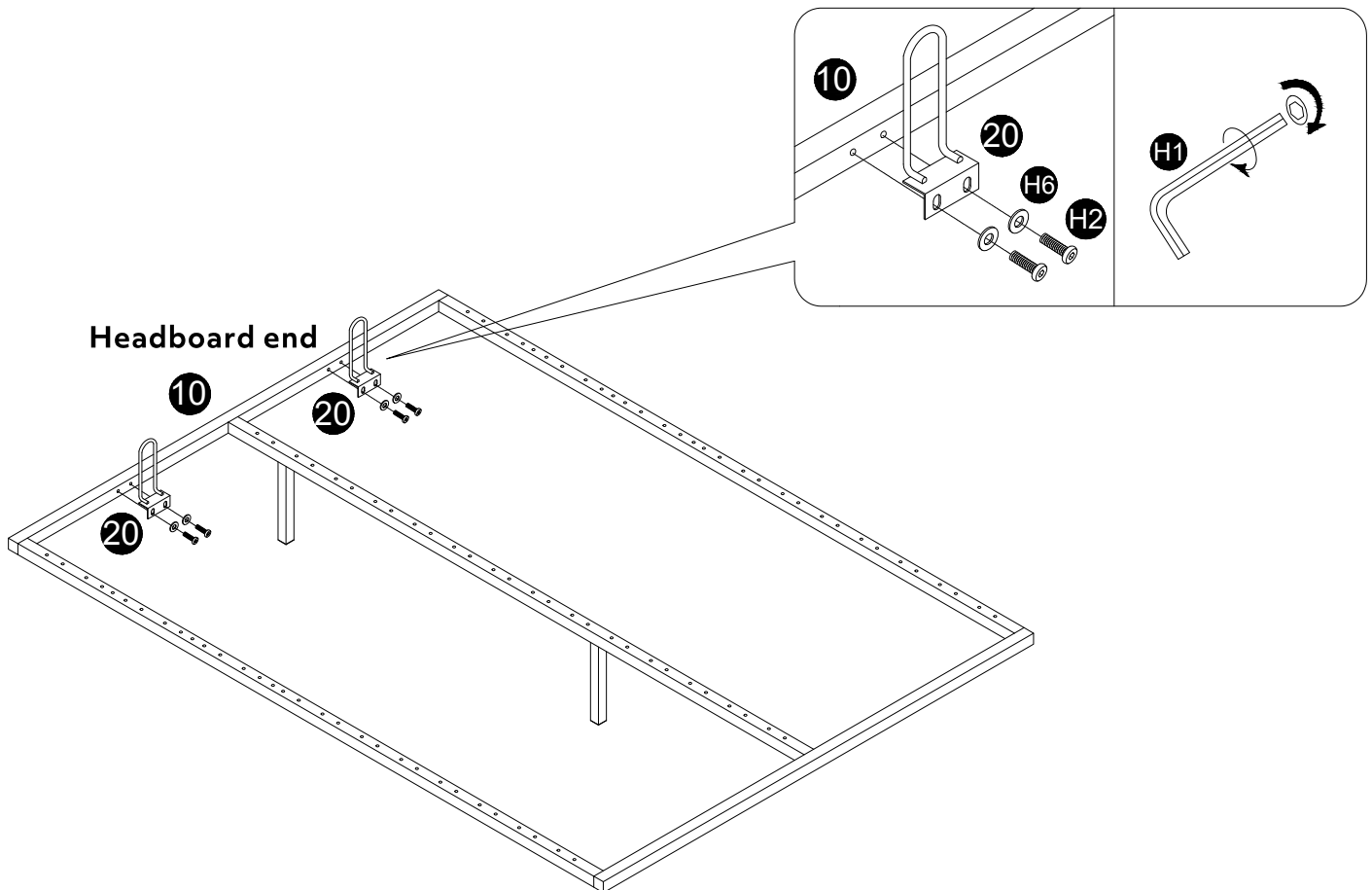


Shown upside down

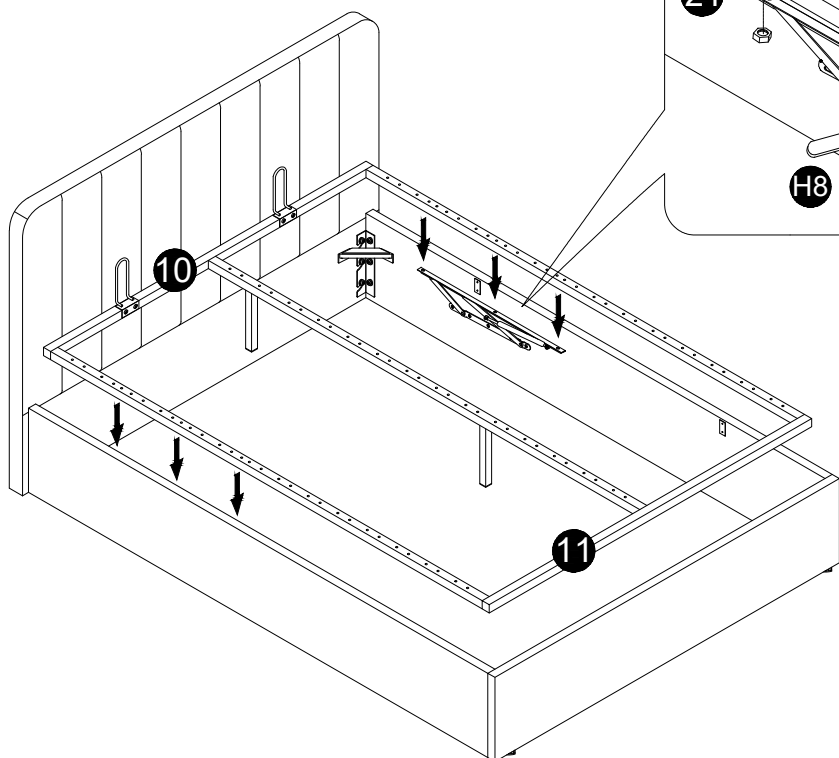
10



11



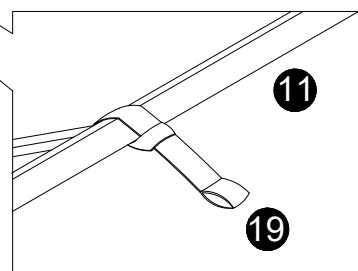
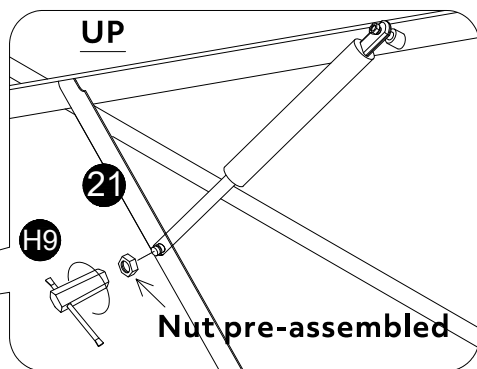
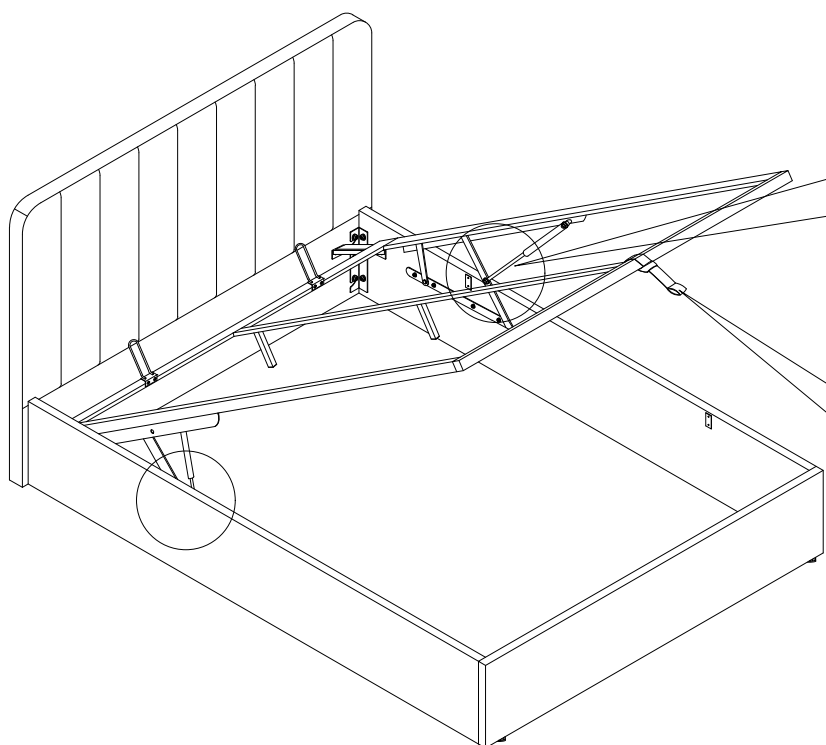
12



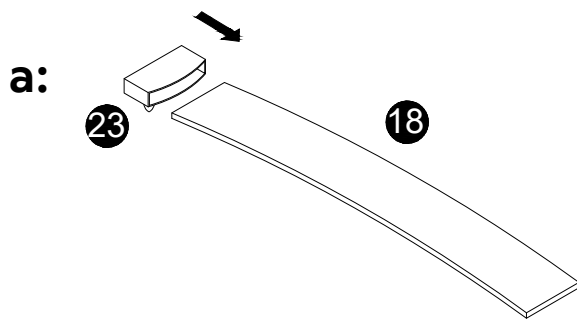
Beware of risk of entrapment from folding hinges!

13

Important: Two people required. Frame to be fully supported at all times!

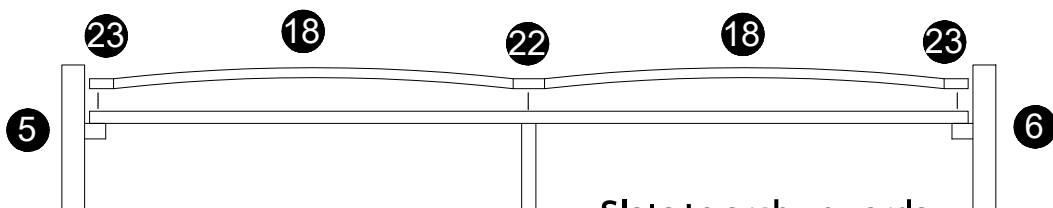
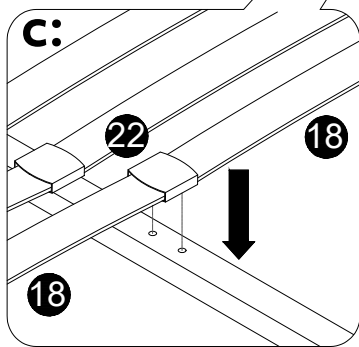
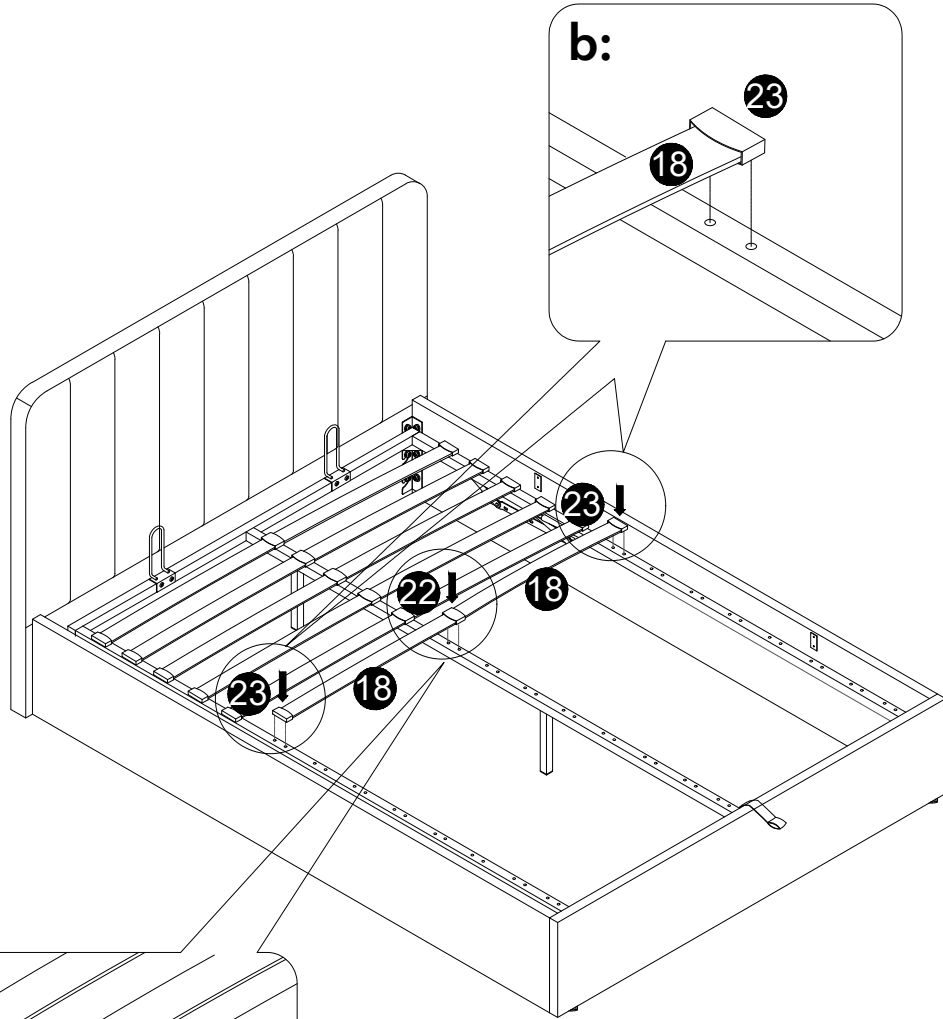


14



Repeat
x14
4'6

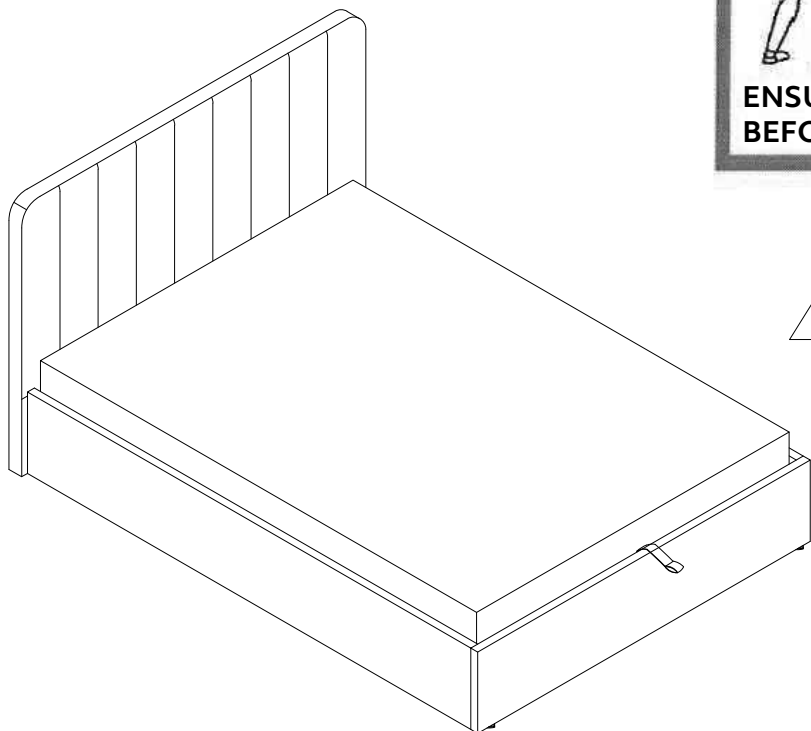
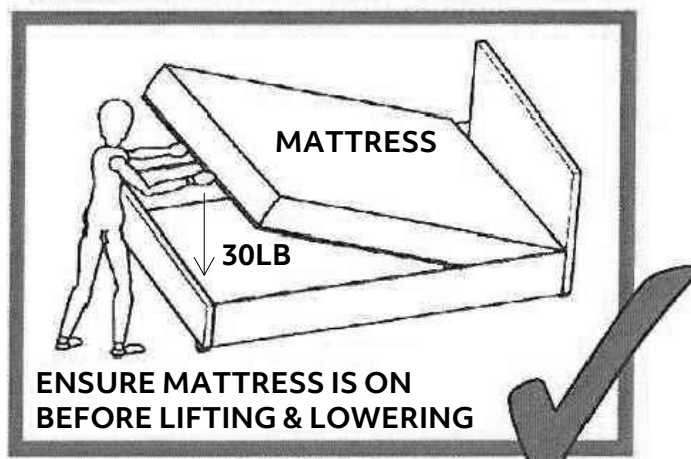
Repeat
x15
5'



Slats to arch upwards

15

After placing the mattress on frame, push down the frame with 30lbs force.



Only lift when the mattress is in place. Place mattress & Carefully lower frame down. Keep objects/body part & children away from moving parts.

Job Complete !