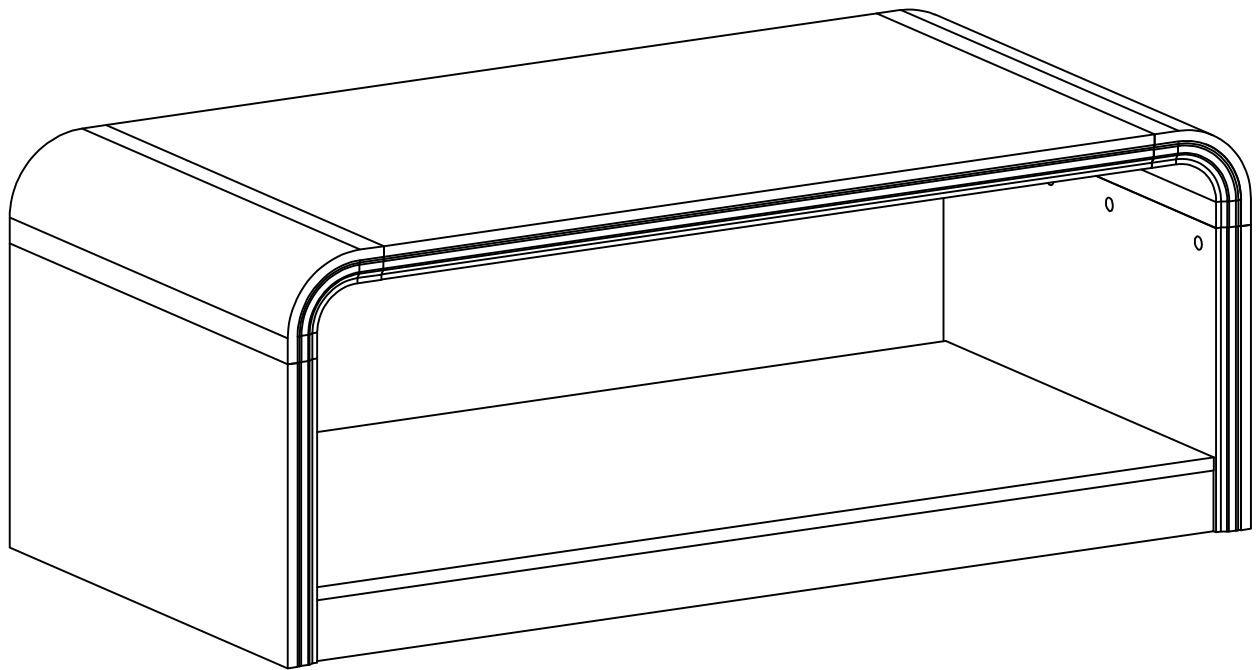


# Multifunctional storage

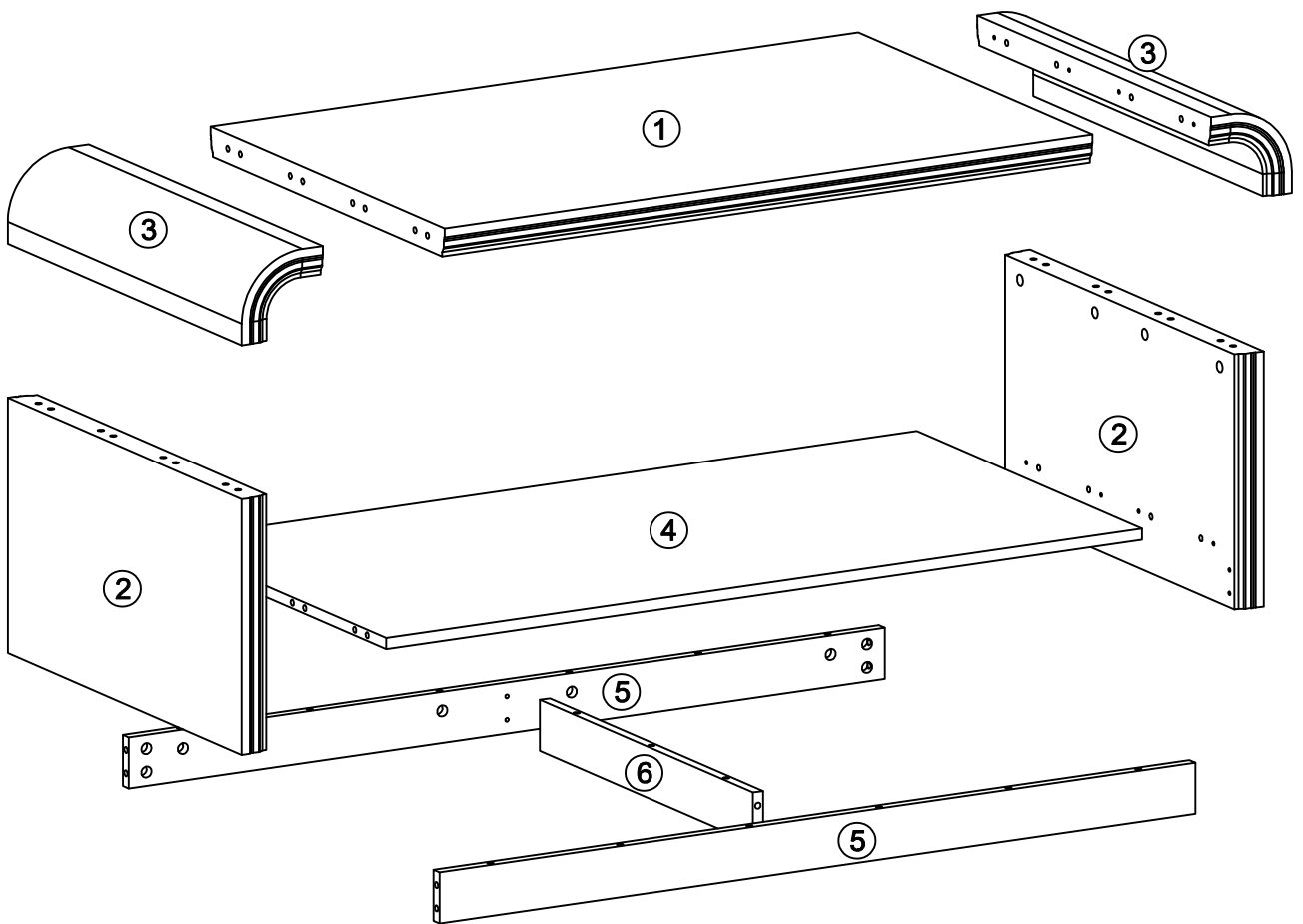
## Assembly Instructions

we recommend using the included manual installation tool for assembly.

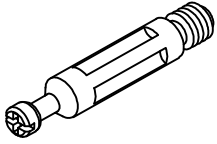
If you choose to use a power drill, please set it to the lowest torque setting to prevent over-tightening, which may damage the wooden panels.



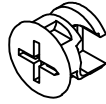
# Parts List



# Hardware

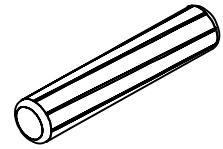


**A x 42sets**



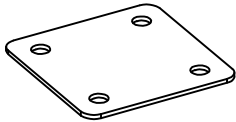
$\phi 15 \times 9.5 \text{MM}$

**B x 42sets**



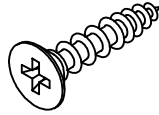
$\phi 8 \times 30 \text{MM}$

**C x 30pcs**



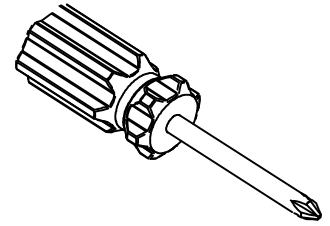
36\*36\*23.5

**D x 4pcs**




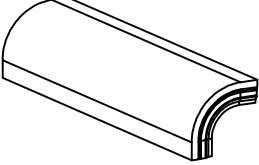
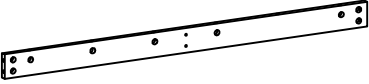
3.5 x 12MM

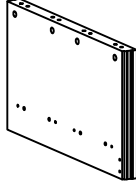

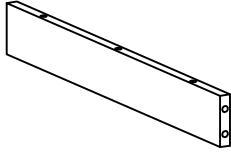
**E x 18pcs**



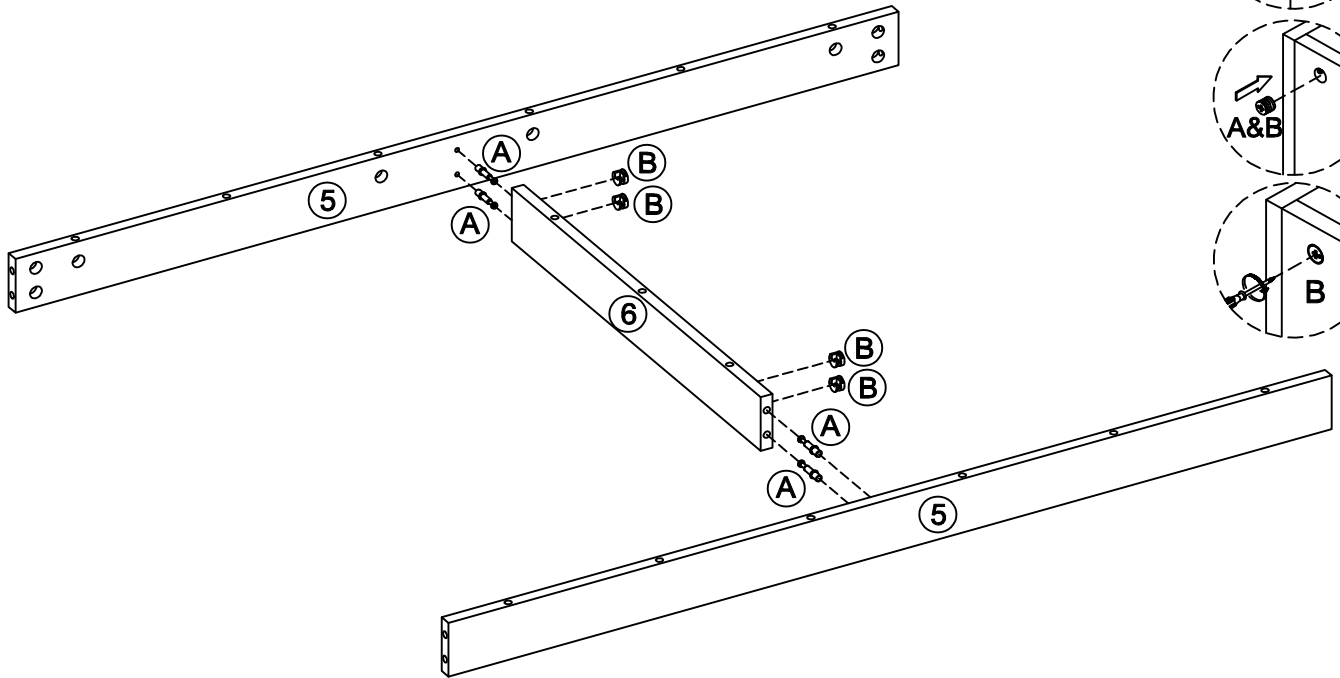
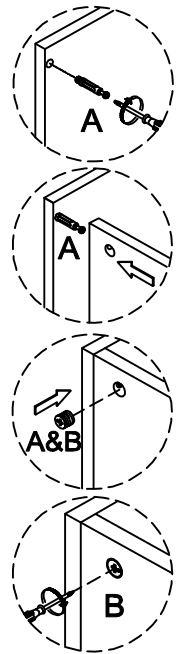
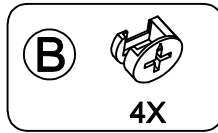
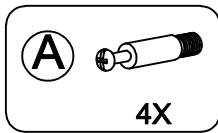
**F x 1pcs**

# ASSEMBLY MATERIAL

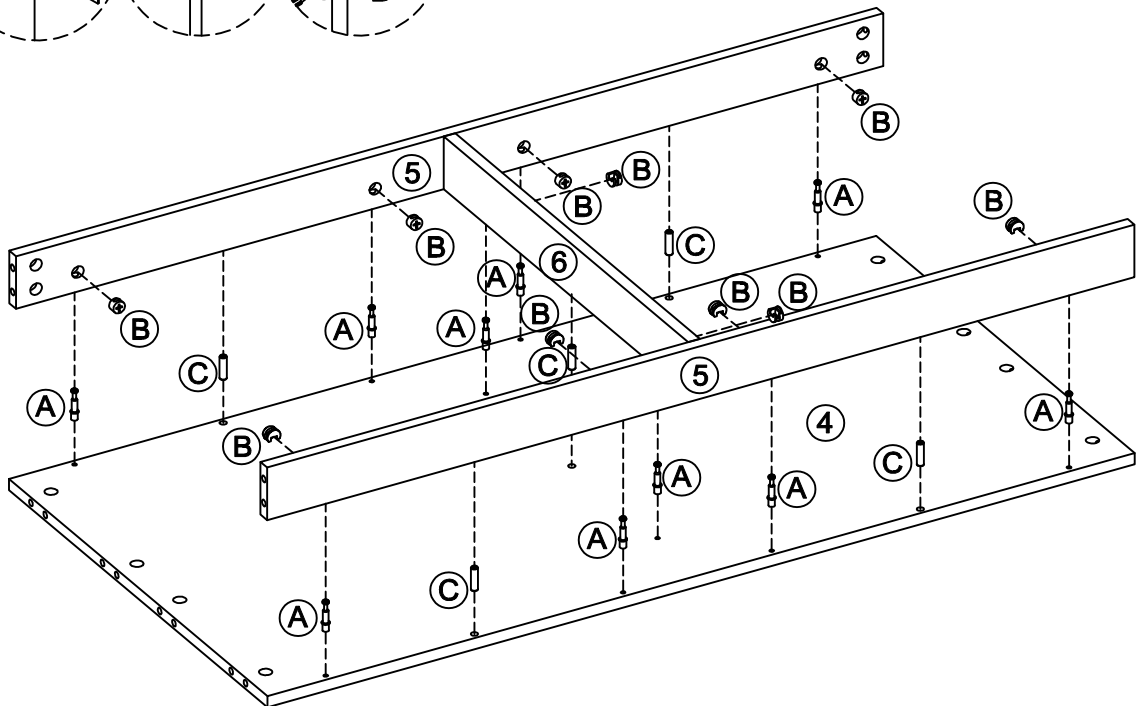
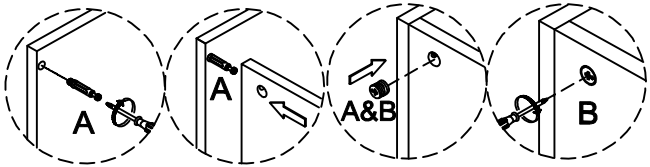
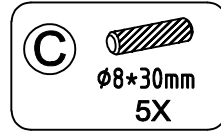
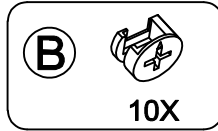
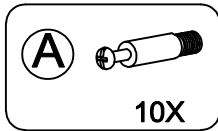
Item no.	Reference Image	Qty.
<b>1</b>		X1
<b>3</b>		X2
<b>5</b>		X2

Item no.	Reference Image	Qty.
<b>2</b>		X2
<b>4</b>		X1
<b>6</b>		X1

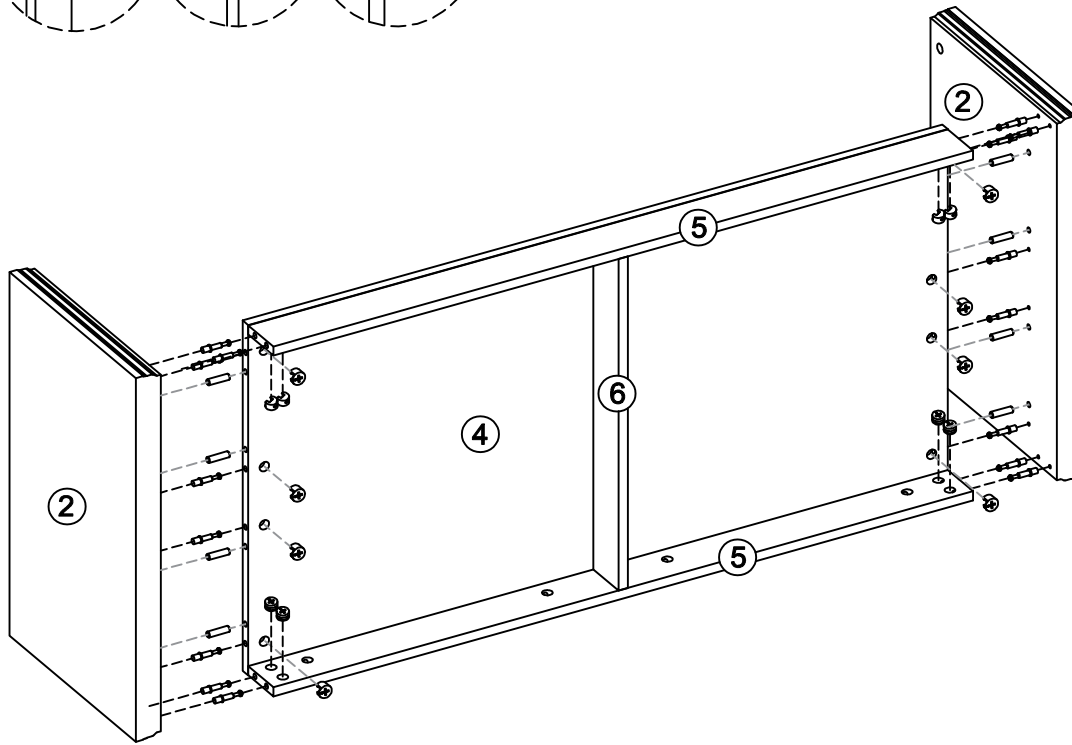
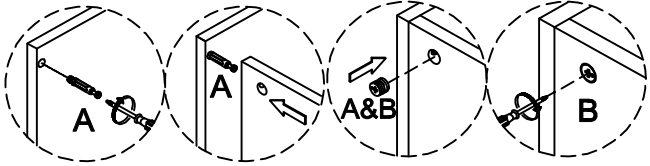
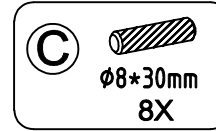
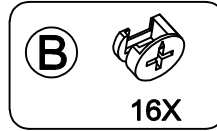
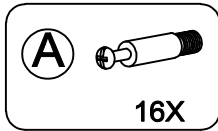
# Step 1



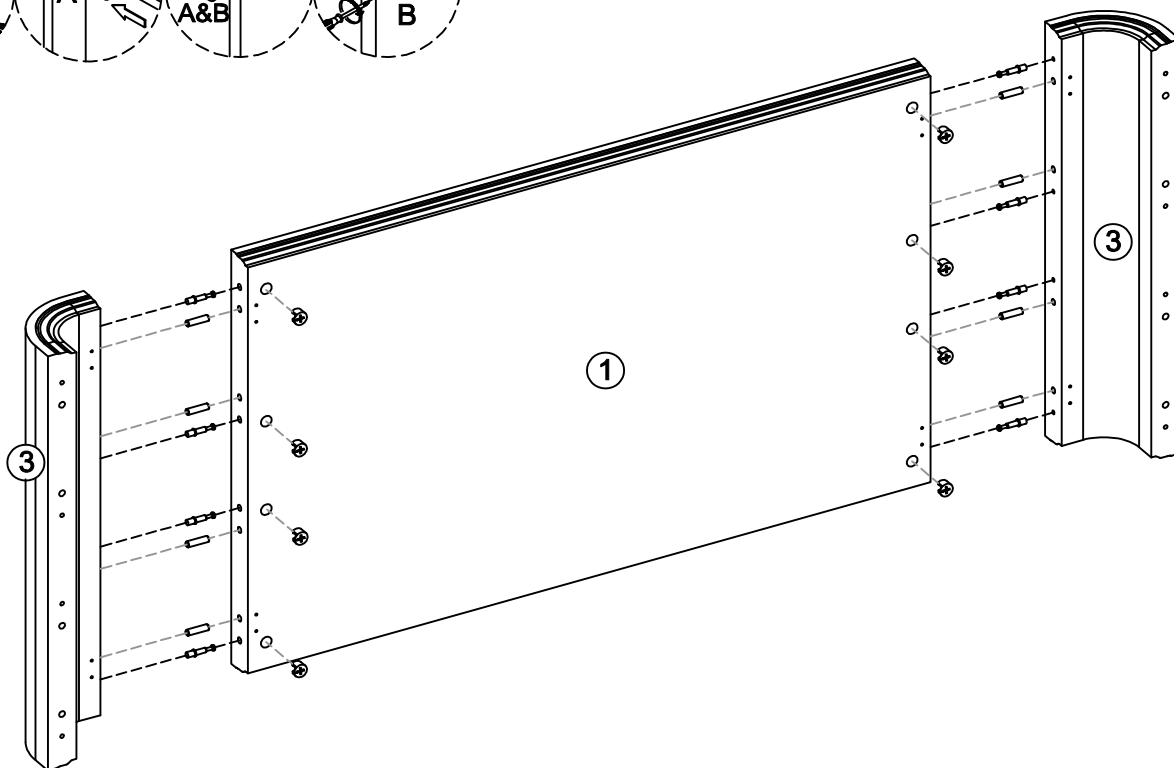
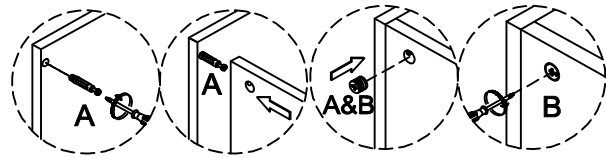
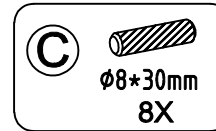
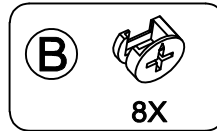
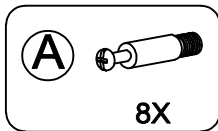
# Step 2



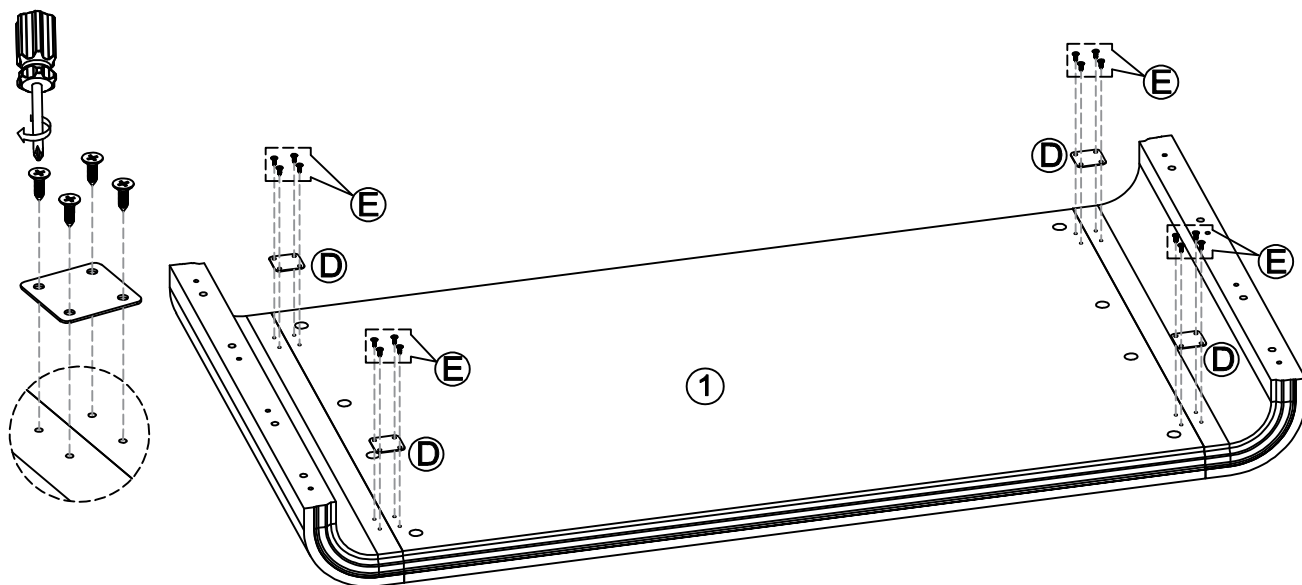
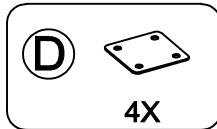
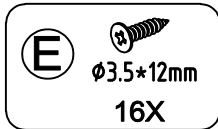
### Step 3



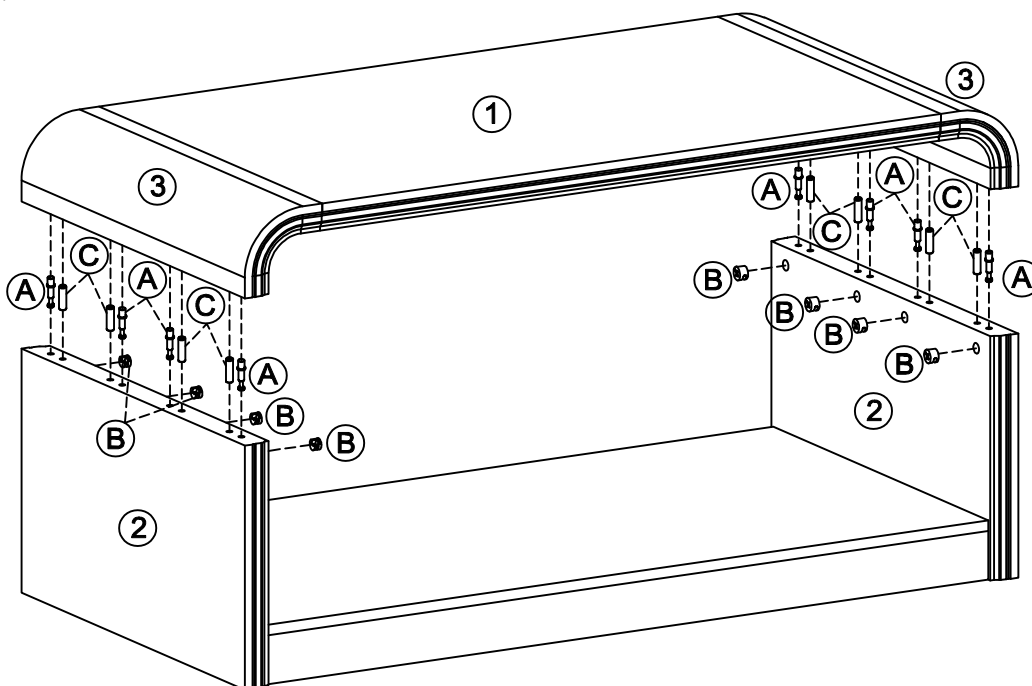
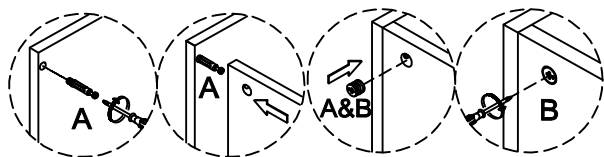
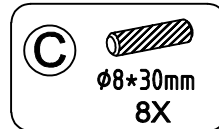
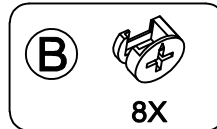
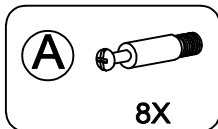
### Step 4



# Step 5



# Step 6



Step 7

