










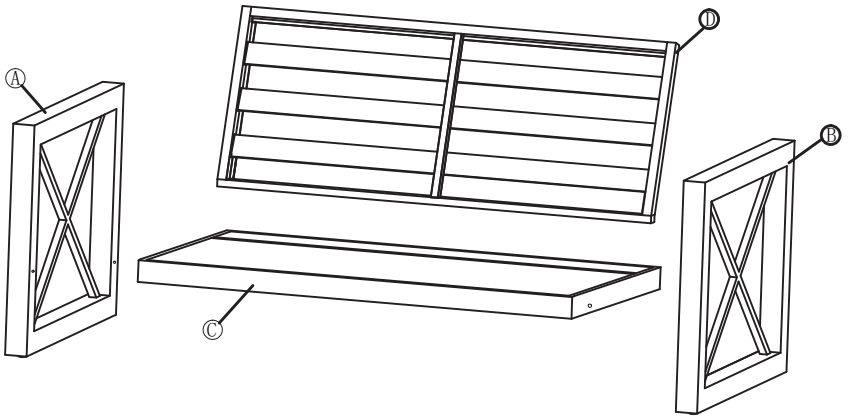
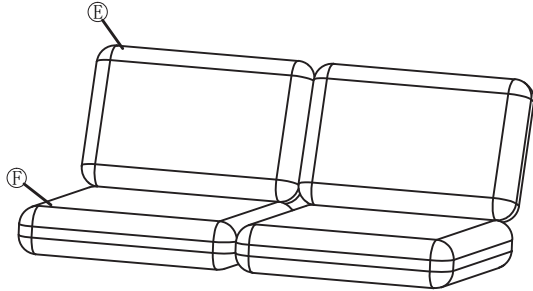






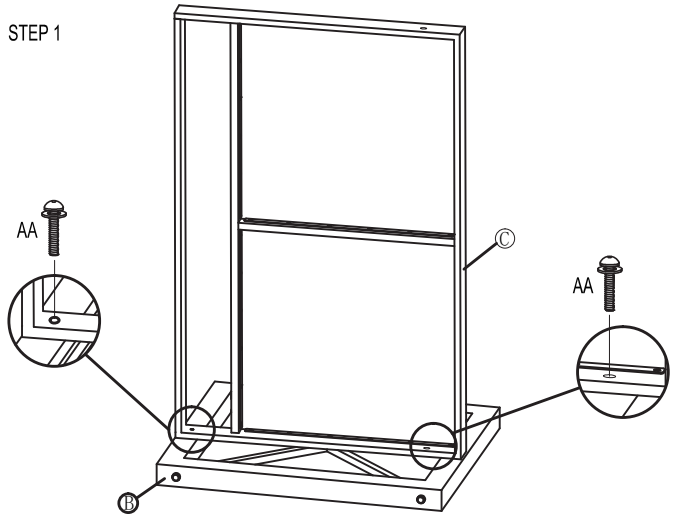
USER'S MANUAL

A			1
B			1
C			1
D			1
E			2
F			2
G			1
H			2
I			1

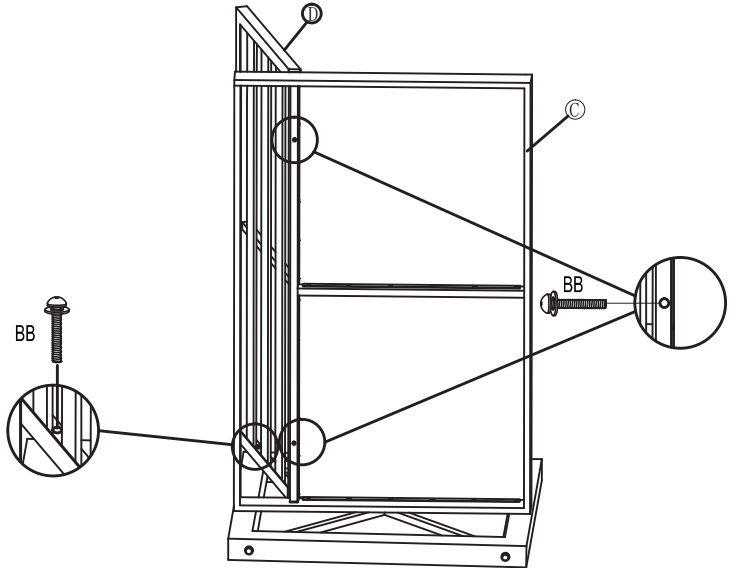


AA	 M6*30	8+1
BB	 M6*40	4+1
CC	 M6*20	4+1
DD		1

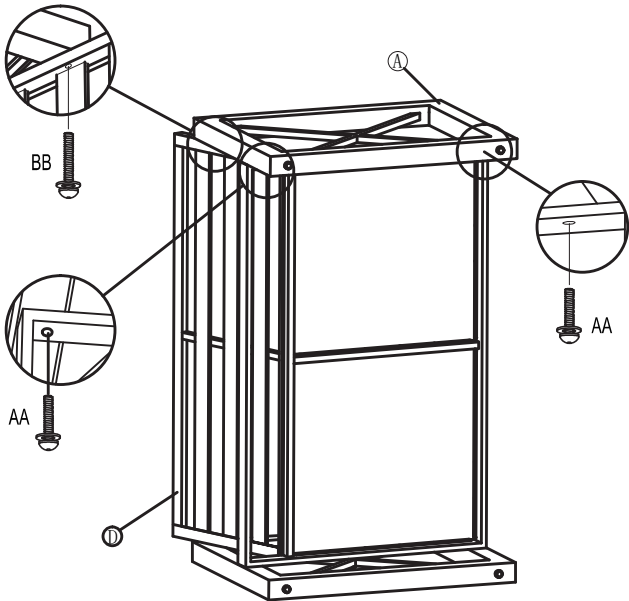
STEP 1



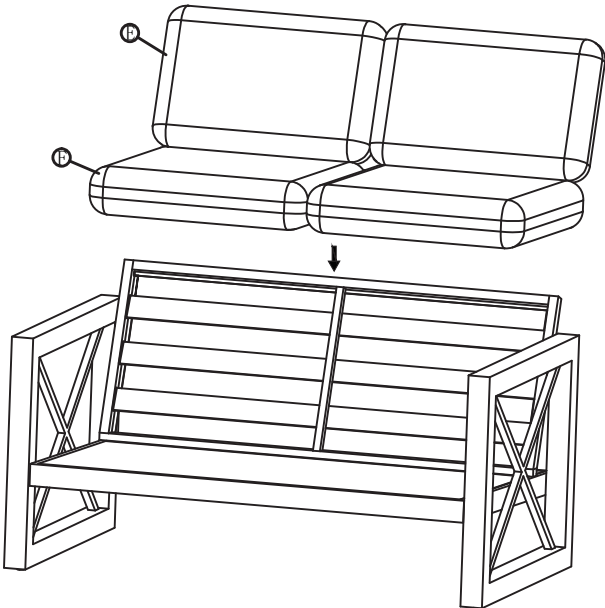
STEP 2



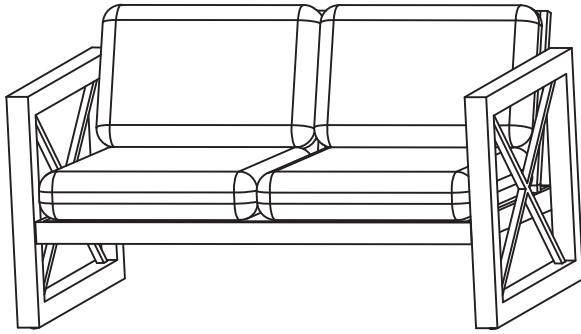
STEP 3

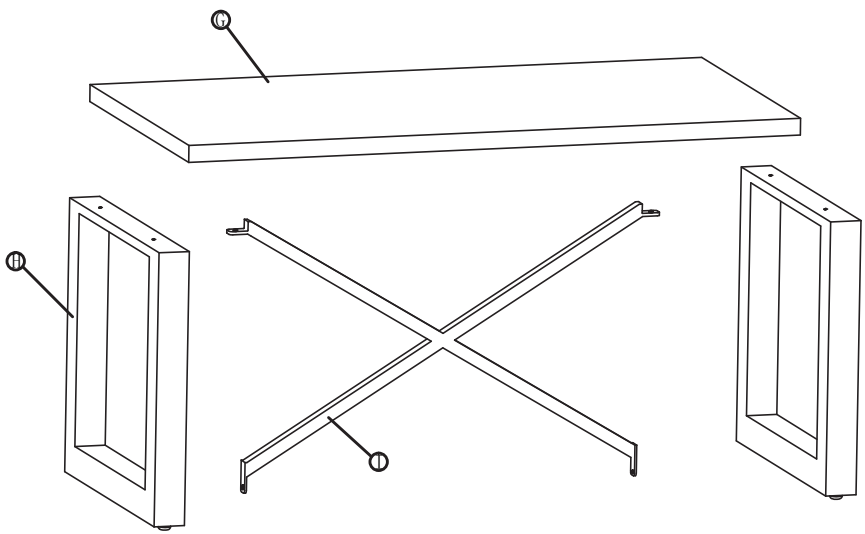


STEP 4

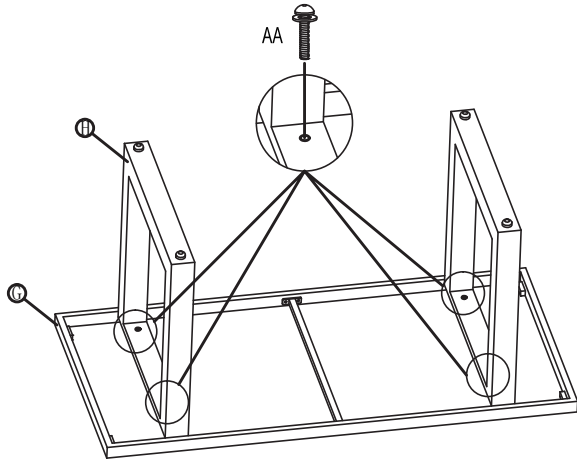


STEP 5

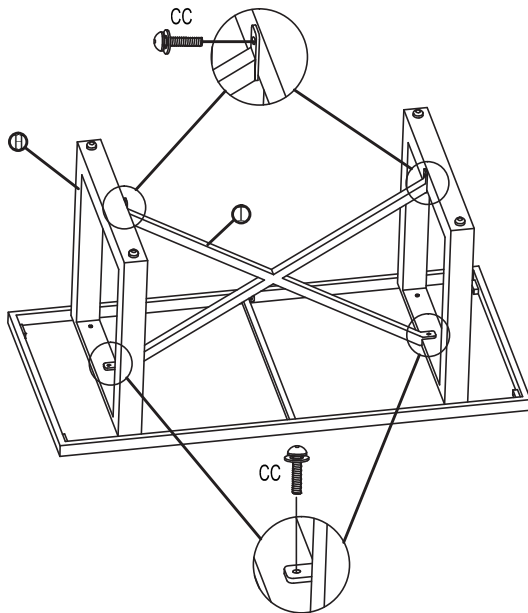




STEP 1



STEP 2



STEP 3

