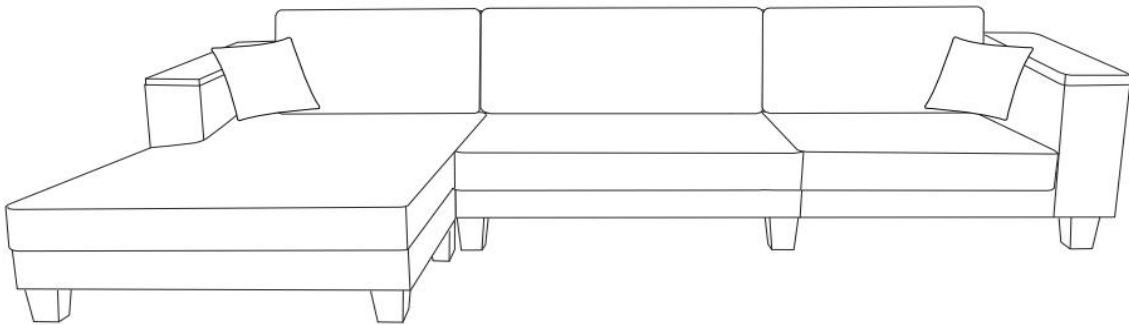


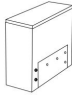

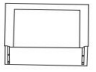
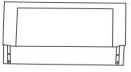

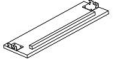


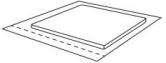
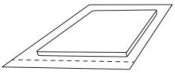




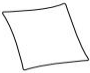
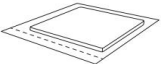
Assembly Instructions

Note: Please help to read my instruction before you ready to assemble.

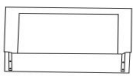


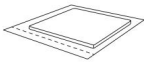
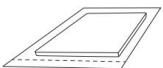

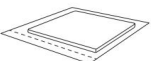
SOFA




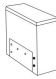
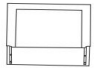






Part List

Label	Picture	Description	QTY
A		Left Armrest	1
B		Right Armrest	1
C		Short Backrest	2
D		Long Backrest	1
E		Back Rail	2
F		Arm Chair Front Rail	2
G		Seat Frame	1
H		Ottoman Frame	1
I		Seat Cushion (Package)	1
J		Chaise Seat Cushion(Package)	1
K		Back Cushion	2
L		Long Back Cushion	1
M		Seat Panel	2
N		Leg	12
O		Pillow	2
P		Seat Cushion (Package)	1









PARTS LIST 9719-A

Label	Picture	Description	QTY
D		Long Backrest	1
G		Seat Frame	1
H		Ottoman Frame	1
I		Seat Cushion (Package)	1
J		Chaise Seat Cushion(Package)	1
M		Seat Panel	2
P		Seat Cushion (Package)	1

PARTS LIST 9719-B

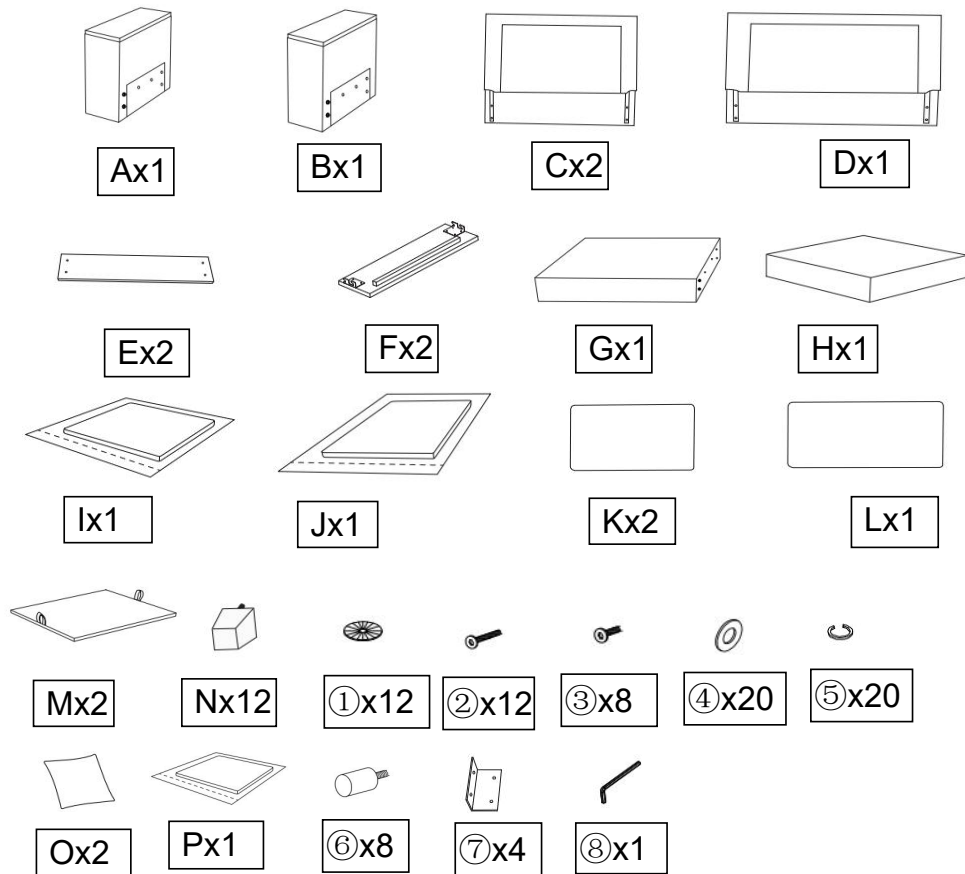
A		Left Armrest	1
B		Right Armrest	1
C		Short Backrest	2
E		Back Rail	2
F		Arm Chair Front Rail	2
K		Back Cushion	2
L		Long Back Cushion	1
O		Pillow	2
N		Leg	12

HARDWARE LIST 9719-B

Label	Picture	Description	QTY
①		Plastic Washer	12
②		Bolt (M8*50mm)	12
③		Bolt (M8*25mm)	8
④		Flat Washer	20
⑤		Spring Washer	20
⑥		Wood dowel	8
⑦		"L" Iron Connect Plate	4
⑧		Allen Wrench(S5)	1

Assembly Preparation

Before Beginning Assembly:

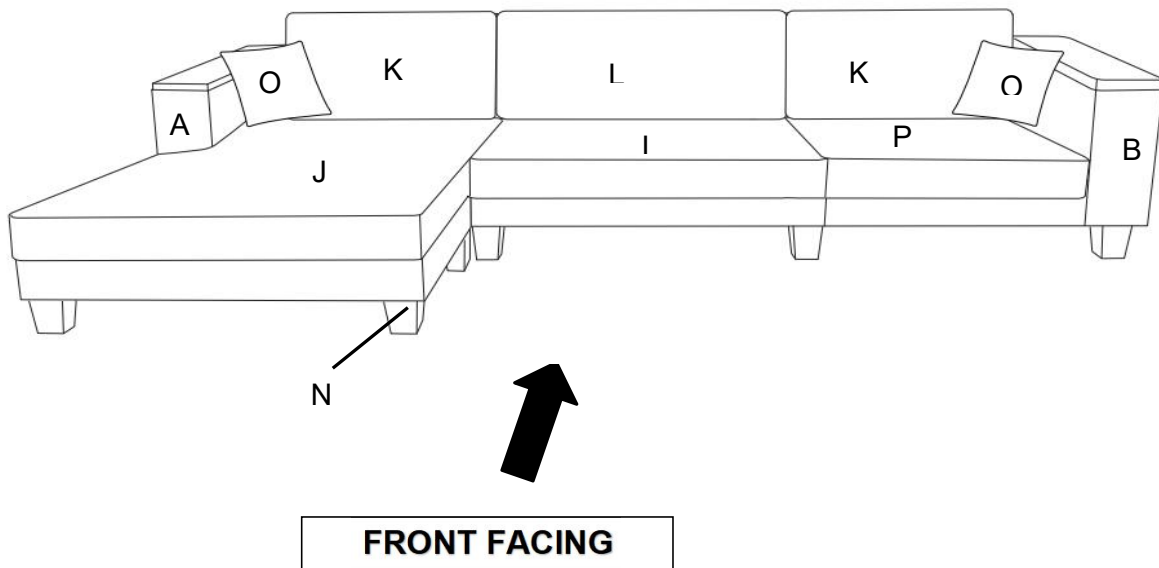


NOTICE:

- Please read the instruction from cover to cover in detail.Thanks.
- Installed by at least two adults.
- To avoid damaging your furniture , Please don't assemble on flooring or carpet.
- Please assemble on a clean non-marring surface, example for packing foam.
- Saving all packaging until have finished.

Assembly Steps

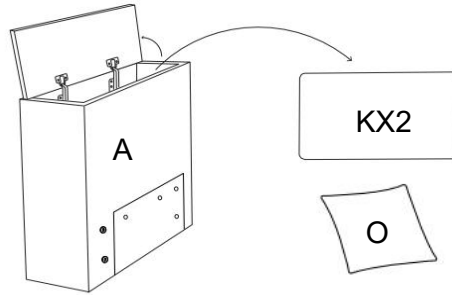
OVERVIEW



This Sofa has multiple parts and may require up to 30 minutes to assemble. To give you an overview of the Sofa parts, the above picture is to help you put the various parts into perspective. Please read through the instructions below to familiarise yourself with the parts and steps before assembly.

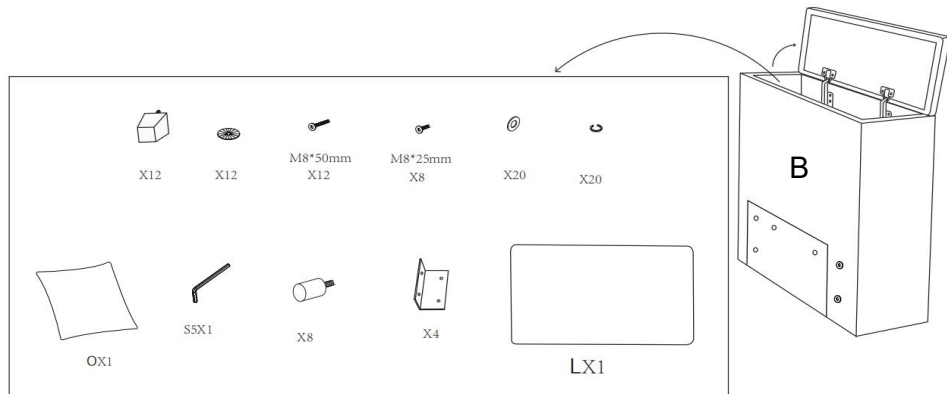
Note: It is recommended that you have an adult partner to assist during the entire assembly process.

Step 1



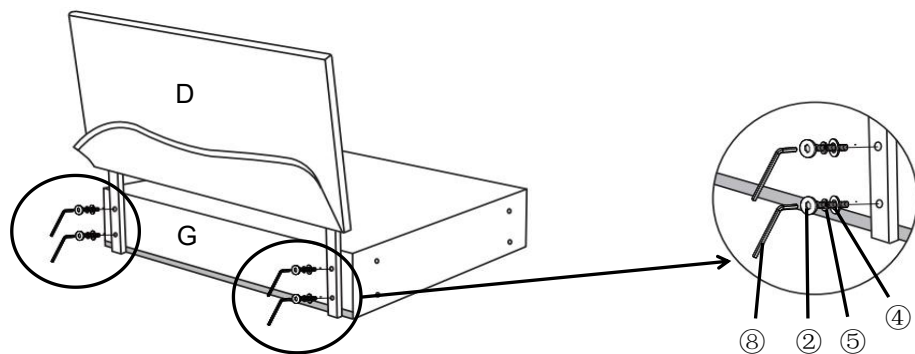
Remove two Back Cushions(K) and one Pillow(O) from Left Armrest(A).

Step 2



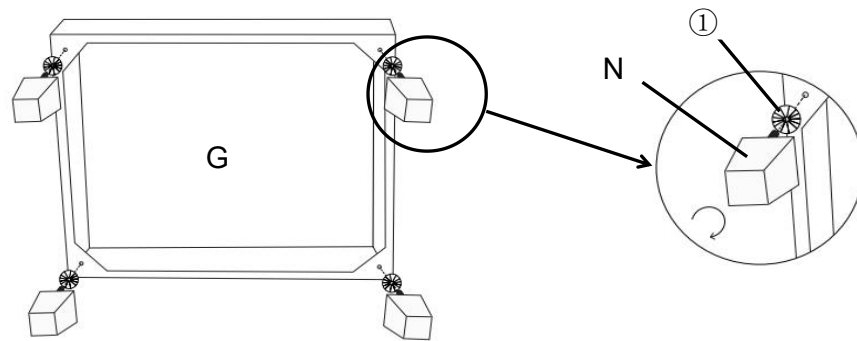
Remove the hardware and one Back Cushion(K) and one Pillow(O) from the bottom of Left Armrest(B).

Step 3



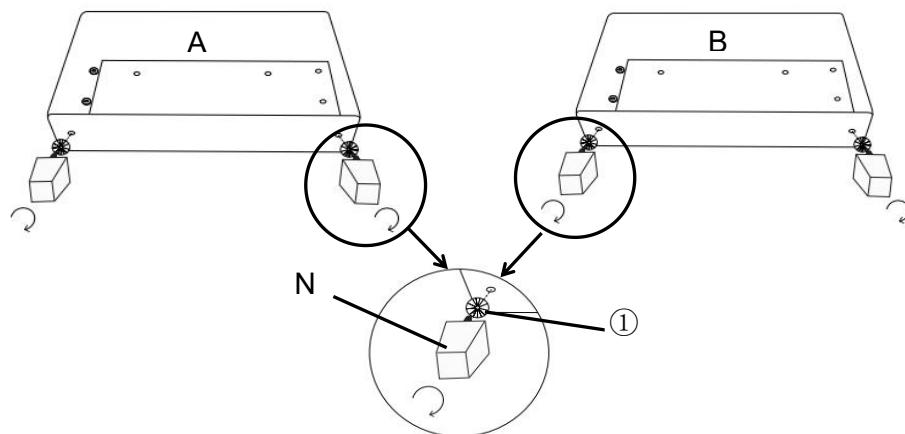
Install the Long Backrest (A) and Seat Frame (G) by using Bolt(2), Sping Washer (5), Flat Washer(4) with Allen Wrench(8), turning clockwise until tight as shown.

Step 4



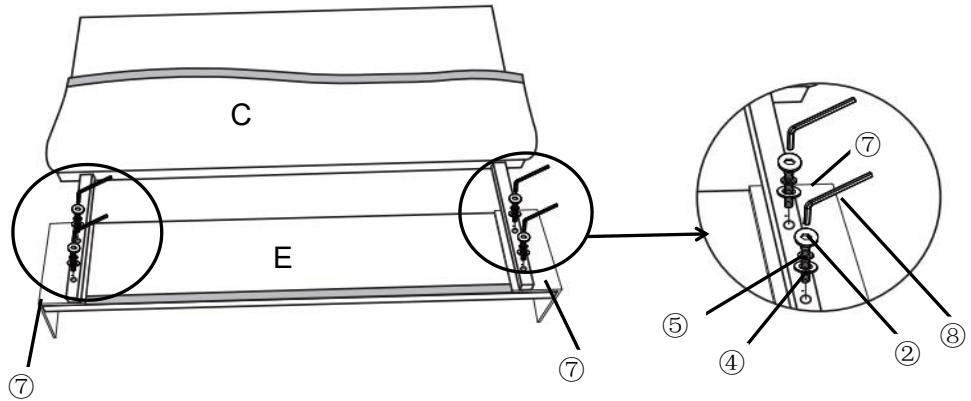
Install the Leg(N) at the bottom of Seat Frame(G) by placing Plastic Washer(③) on the threaded stem, turning clockwise until tight.
Note: The use of Plastic Washer(③) are OPTIONAL and are especially useful to help alleviate slight wobbleness. Some Legs may need more than one Plastic Washer(③) whilst some Legs may not need any.

Step 5



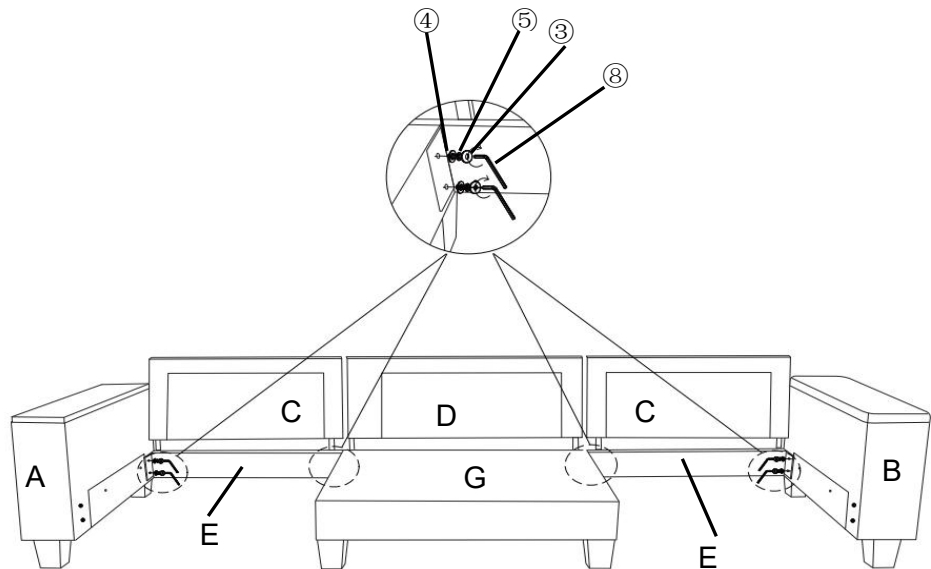
Repeat step 3 to install the Legs (N) on the Left Armrest(A) and Right Armrest(B).

Step 6



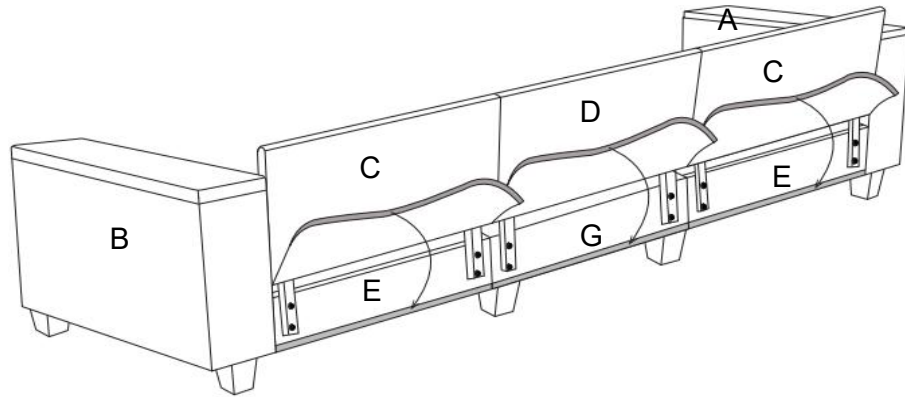
Install the Backrest(C) and Back Rail (E) by using "L " Iron Connect plate(7), then using Bolt(2) Spring Washer (5)Flat Washer(4) with Allen Wrench(8) , then turn over and tighten all bolts clockwise. Repeat this step with the other one.

Step 7



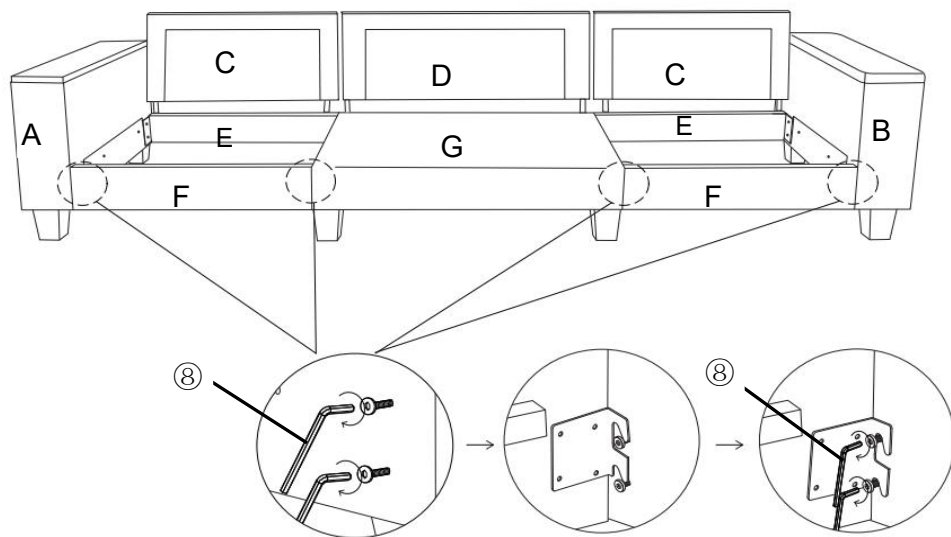
Connect the Left Armrest (A),Left Seat (Step 5) ,Middle Seat (Step 4) and Right Armrest (B) with Semi-assembly Parts (Step 5) by using Bolt(3), Spring Washer (5),Flat Washer(4) with Allen Wrench (8),turning clockwise until tight.

Step 8



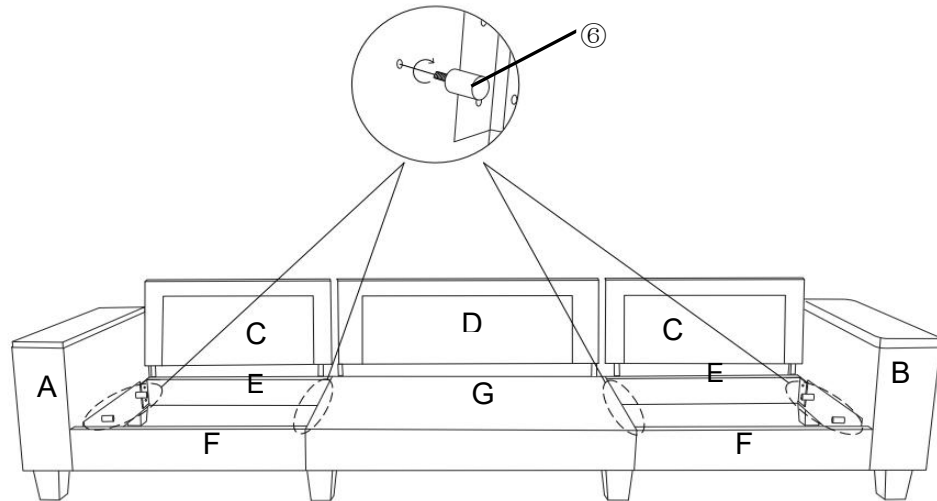
Attach the magic tape to the back of the Back Rail (E).

Step 9



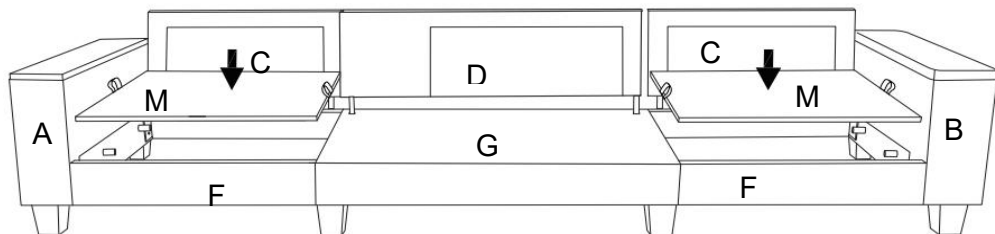
Slide the hook of Front Rail(F) into the bolts on the side of seat frame as picture shown,then tighten the bolts.

Step 10



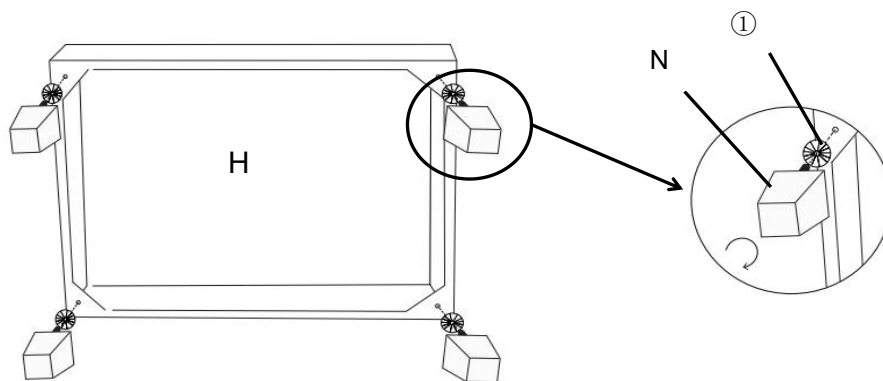
Install eight Wood dowels (6) into the preformed hole.

Step 11



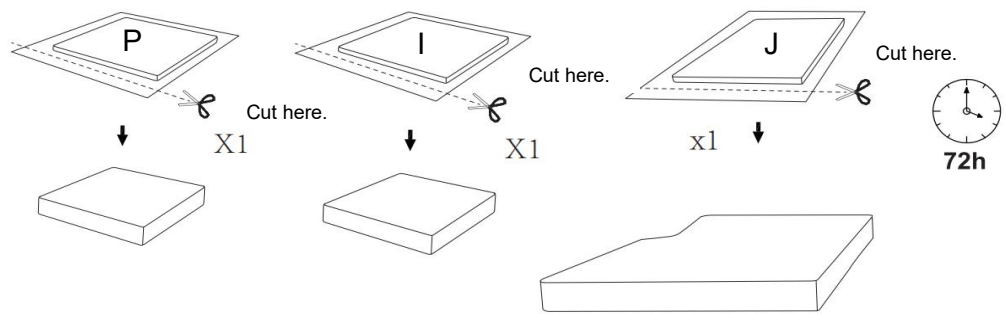
Put the Seat Panels (M) on the position.

Step 12



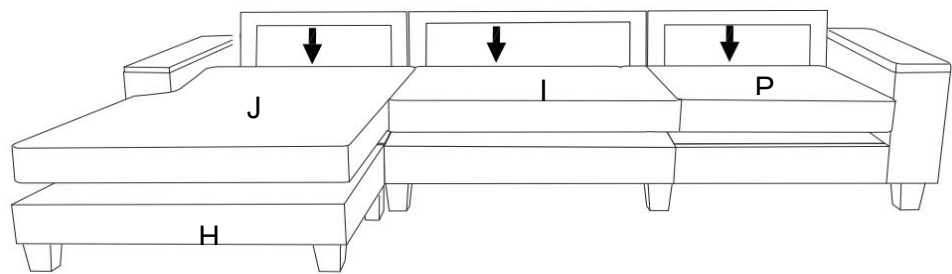
Repeat step 4 to install the Legs (N) on the Ottoman Frame (H).

Step 13



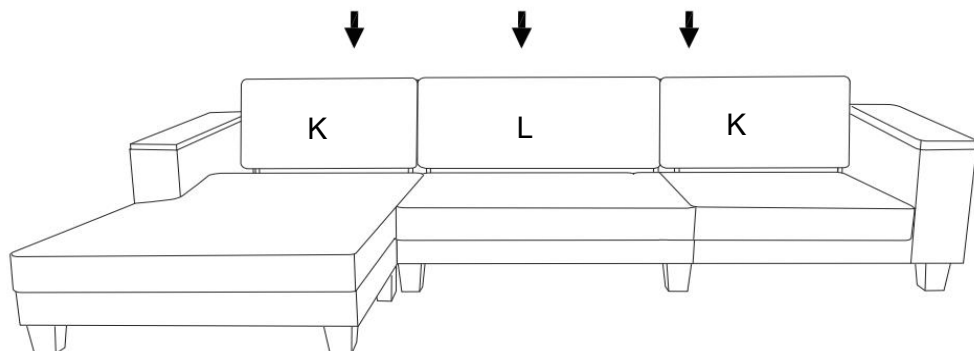
Cut the Seat Cushion Packages (I and J and P) , then take out them. Fully decompression may take up to 72 hours.

Step 14



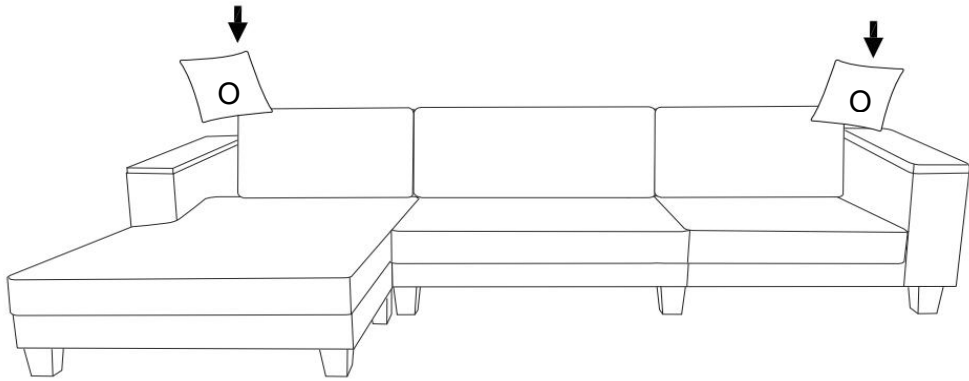
Put the Seat Cushions (I and J and P) on your sofa.

Step 15



Put the Back Cushions (K and L) on your sofa.

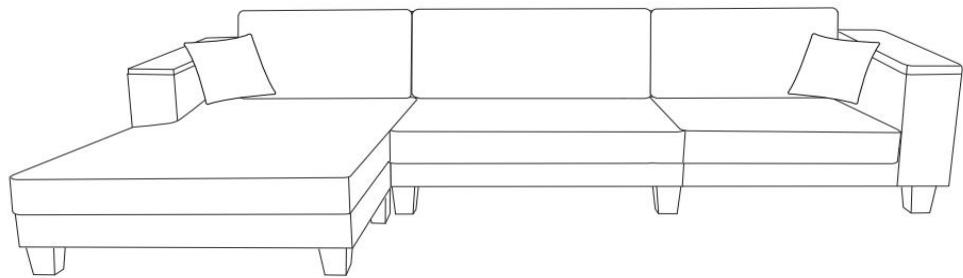
Step 16



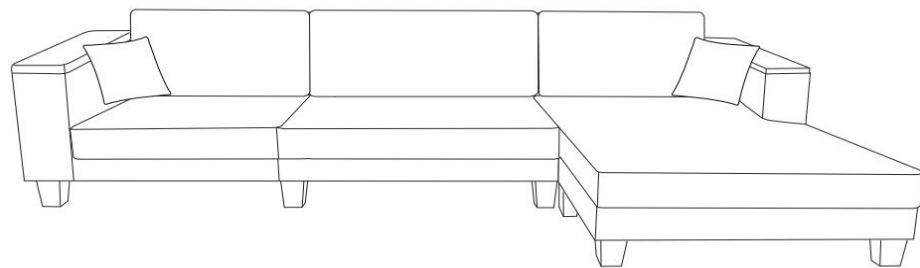
Put the Two Pillows(O) on your sofa.

COMPLETE

Sectional 1



Sectional 2



Your Sofa is ready for use.
This sofa has two combination methods. You can place the Ottoman on the left or on the right.

Care & Maintenance



- Furniture may scratch floors. We recommend using furniture pads to protect your floors.



- Do not put hot items directly on furniture surface.



- Do not clean furniture with harsh cleansers or polish.



- Do not place furniture under direct sunlight.



- Do not place furniture near heating or cooling vents.



- Do not write on furniture without a padded barrier to protect the surface.



- Do not place furniture outside . For indoor use only.



- Not for commercial use. For residential use only.



- Stains may be removed with mild soap solution and damp cloth.



- Children should not climb or jump on the furniture.



- Dust and pick-up spills using a clean, non-colored, lint-free cloth.