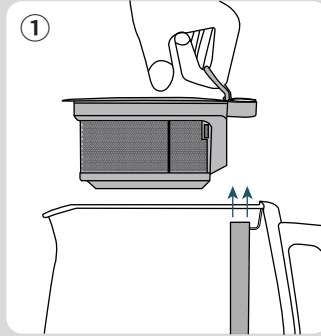


# Quick Start Guide

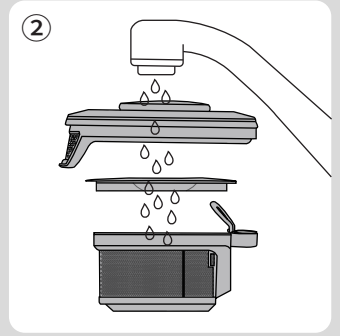
This Quick Start Guide is designed for first time use. Refer to the Manual Book for more information or contact our support team: [support@razorri.com](mailto:support@razorri.com)

# A

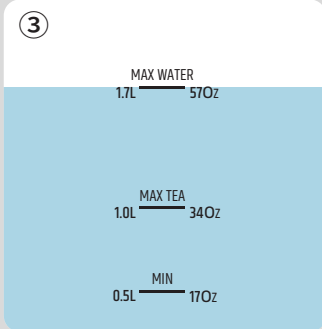
## Before First Use



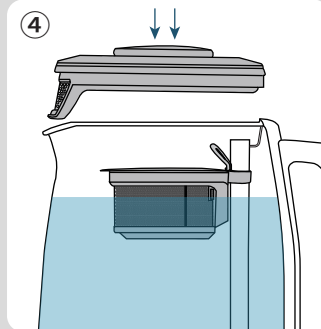
1 Remove the lid and the tea basket from the post.



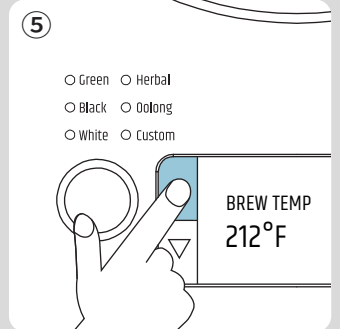
2 Wash all accessories.



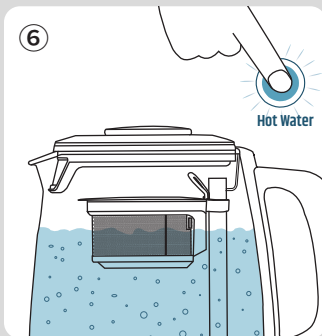
3 Fill the kettle with water to the '57Oz' mark.



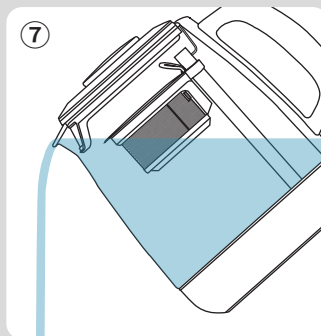
4 Reinsert the tea basket and attach the lid.



5 Insert plug and press ▲ to select 212°F.



6 Press 'Hot Water' to start.



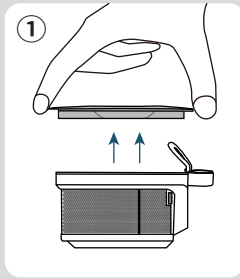
7 Once boiled, discard the water.



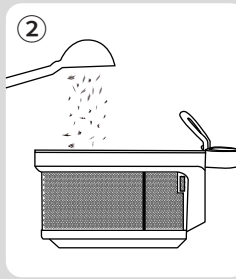
8 The tea maker is ready for use.

# B

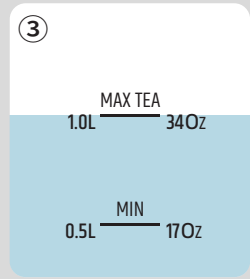
## Making Tea



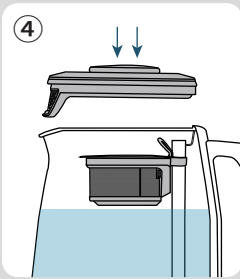
Open the tea basket Lid.



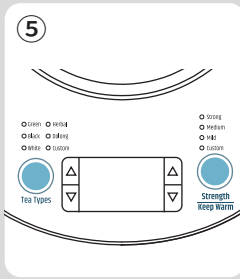
Fill tea basket with tea leaves.



Fill Jug with desired amount of water. Do not fill past '34Oz' for making tea.



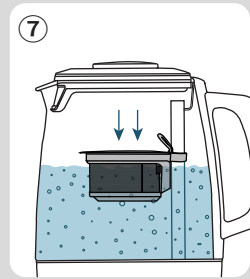
Attach tea basket onto post and shut the kettle lid.



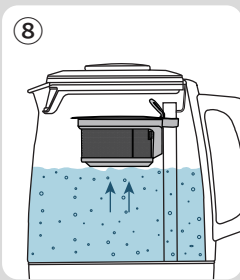
Press 'Tea Types' to select the program and 'Strength' to select tea strength.



Press 'Tea/Cancel' to start.



Once brew temperature is reached, the basket will automatically-submerge into water.



Once brew time has elapsed, the basket will automatically-emerge from the water.



Enjoy your hot tea!



Contact customer Support.

# RAZORRI



## The preset programs for teas

Tea Type	Temperature	Mild	Medium	Strong	Custom
Green	175°F	2 min	2.5 min	3 min	30 s -10 min (0:30 - 10:00)
White	185°F	2 min	3 min	4 min	
Oolong	190°F	3 min	3.5 min	4 min	
Herbal	200°F	4 min	5 min	6 min	
Black	212°F	3 min	4 min	5 min	
Custom	105°F-212°F	3 min	4 min	5 min	

材质：128g双铜 彩色

尺寸：140\*210mm