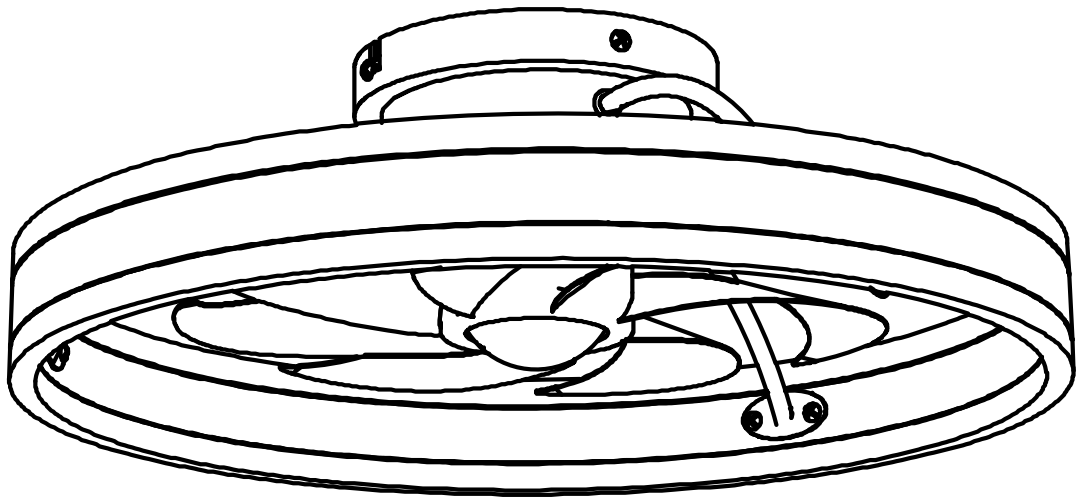

Ceiling Fan With Light

User Manual



SAFTY RULES

1. To reduce the risk of electric shock, turn off the electricity to the fan at the main fuse box or circuit panel before beginning.
2. All wiring must be in accordance with the local electrical codes or National Electrical Code. Electrical installation should be performed by a qualified licensed electrician.
3. To avoid personal injury, the use of gloves may be necessary while handling fan parts with sharp edges.
4. Make sure the installation site you choose allows clear space for the blades to rotate and at least seven 7 feet (2.13 meters) of clearance between the floor and the fan blade tips. The fan should be mounted so that the tips of the blades are at least thirty 18 inches (45.72 centimeters) from walls or other upright structures.
5. **WARNING:** To reduce the risk of fire, electric shock, or personal injury, mount fan only to an outlet box marked acceptable for fan support and use mounting screws provided with the outlet box. Most outlet boxes commonly used for the support of lighting fixtures are not acceptable for fan support and may need to be replaced. Consult a qualified electrician if in doubt.
6. The outlet box and ceiling support structure must be securely mounted and capable of supporting at least 45 KGs.
7. To avoid personal injury or damage to the fan and other items, be cautious when working around or cleaning the fan.
8. Do not use water or detergents when cleaning the fan or fan blades. A dry dust cloth or lightly dampened cloth will be suitable for most cleaning.
9. After making electrical connections, spliced conductors should be turned upward and pushed carefully up into the outlet box. The wires should be spread apart with the grounded conductor and the equipment-grounding conductor on one side of the outlet box.
10. Electrical diagrams are for reference only.
11. The fan is suitable for indoor use only.

TOOLS REQUIRED



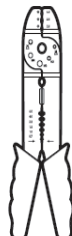
Phillips
screwdriver



Flat blade
screwdriver



Step
ladder



Wire
stripper



Electrical
tape

This manual is designed to make it as easy as possible for you to assemble, install, operate and maintain your ceiling fan.

Materials

Wiring outlet box and box connectors must be of type required by the local code. The minimum wire would be a 3-conductor(2-wire with ground) of the following size:

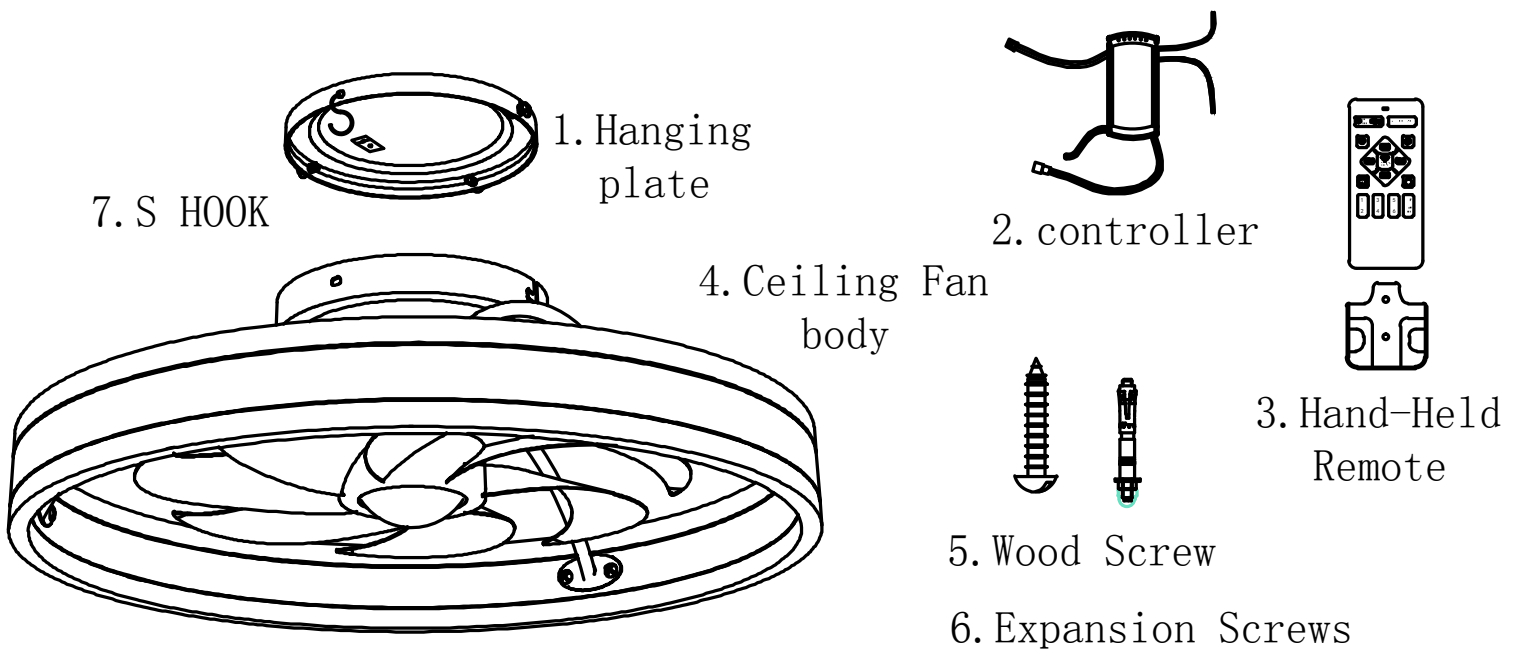
⚠ WARNING
Before assembling your ceiling fan, refer to section on proper method of wiring your fan (page 10). If you feel you do not have enough wiring knowledge or experience, have your fan installed by a licensed electrician.

Installed Wire Length	Wire Size A.W.G
Up to 50 ft	14
50-100 ft	12

NOTE: Place the parts from the loose parts bags in a small container to keep them from being lost. If any parts are missing contact your local retailer.

Package Includes

Check to see that you have received the following parts:



Energy Efficient Use of Ceiling Fans

Ceiling Fan performance and energy savings rely heavily on the proper installation and use of the ceiling fan . Giving some tips to ensure efficient product performance.

Choosing the Appropriate Mounting Location

Ceiling fans should be installed, or mounted, in the middle of the room and at least 10 feet above the floor and 18 inches from the walls.If ceiling height allows,install the fan 11-12 feet above the floor for optimal airflow.

Turn Off When Not in the Room

Ceiling fans cool people, not rooms. If the room is unoccupied, turn off the ceiling fan to save energy.

Using the Ceiling Fan Year Round

Summer Season: Use the ceiling fan in the clockwise direction. The airflow produced by the ceiling fan creates a wind-chill effect, making you “feel” cooler. Select a fan speed that provides a comfortable breeze, lower speeds consume less energy.

Winter Season: Reverse the motor and operate the ceiling fan at low speed in the counter-clockwise direction. This produces a gentle updraft, which forces warm air near the ceiling down into the occupied space.Remember to adjust your thermostat when using your ceiling fan additional energy and dollar savings could be realized with this simple step!

Electrical and Structural Requirements

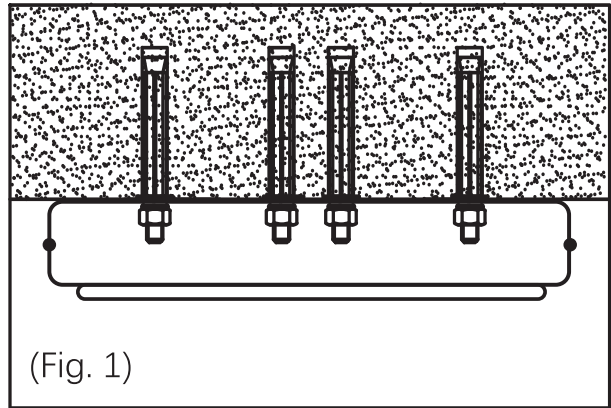
Your new ceiling fan will require a grounded electrical supply line of 120 volts AC, 60 HZ, 15 Amp Circuit. Electrical code requires use of a fan-rated outlet box to support the extra weight and motion associated with a ceiling fan. A fan-rated box will be labeled as such and typically supports up to a 70lbs ceiling fan. Fan-Rated Outlet Boxes vary in ratings and design.Ensure the ratings of your ceiling fan outlet box meet the requirements for the ceiling fan being installed.

INSTALL THE MOUNTING BRACKET

To prevent personal injury and damage, ensure that the hanging location allows the blade a clearance of 7 feet(2.13 meters) from the floor and 18 inches (45.72 centimeters) from any wall or obstruction.

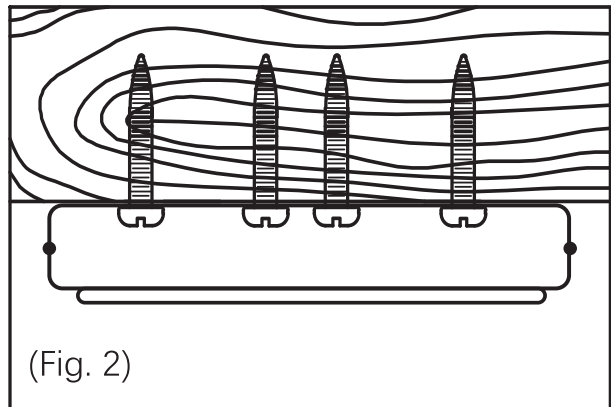
If there isn't an existing CUL listed mounting box, then read the following instructions:

1. For the concrete ceiling: Mark the location for the ceiling fan first, then drill four holes in the ceiling to aid in securing ceiling bracket with four expansion screws provided, and secure the mounting bracket to the building structure with four expansion screws provided, tighten the screws. (If you think that four holes will affect the appearance, you can also only make two holes and fix them with two expansion screws.) (Fig.1)



(Fig. 1)

2. For the Wood Ceiling: Mark the location for the ceiling fan first, secure the mounting bracket to the building structure with four wood screws provided.(Fig.2)



(Fig. 2)

⚠ WARNING

To reduce the risk of fire, electrical shock, or personal injury, mount fan to outlet box marked acceptable for fan support of 15.88kg (35 lbs) or less. Use screws supplied with outlet box. Most outlet boxes commonly used for support of light fixtures are not acceptable for fan support and may need to be replaced. Consult a qualified electrician if in doubt.

⚠ WARNING

Turning off wall switch is not sufficient. To avoid possible electrical shock, be sure electricity is turned off at the main fuse box before wiring. All wiring must be in accordance with National and Local codes and the ceiling fan must be properly grounded as a precaution against possible electrical shock.

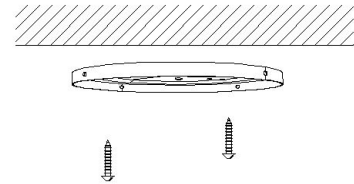
If your fan is to replace an existing light fixture, turn electricity off at the main fuse box at this time and remove the existing light fixture.

⚠ WARNING

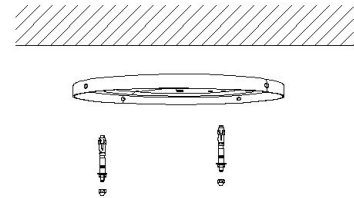
Do not operate this fan with a variable(Rh-eostat) wall controller or dimmer switch. Doing so could result in damage to the ceiling fan's remote control unit.

How to Install Your Ceiling Fan

1. Pass the hanging plate through the self-tapping screw (expansion screw) Fixed on the ceiling



2. Using the wood screws or expansion screws to fix the hanging plate on the reserved ceiling. (Figure 1)



3. Connect the ceiling fan live wire and Neutral line with the power cable. (Figure 2)

4. Use screw nut to fix and lock the ceiling fan body in the side of the ceiling plate. (Figure 3)

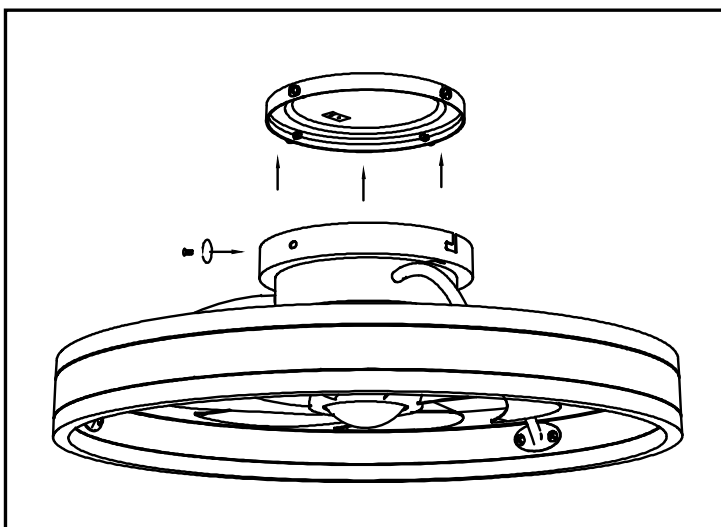
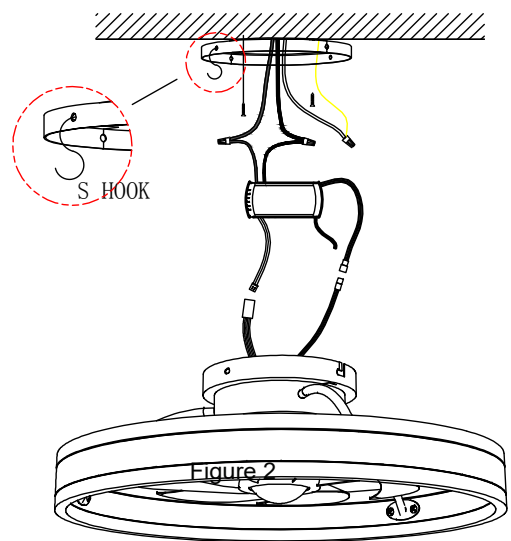
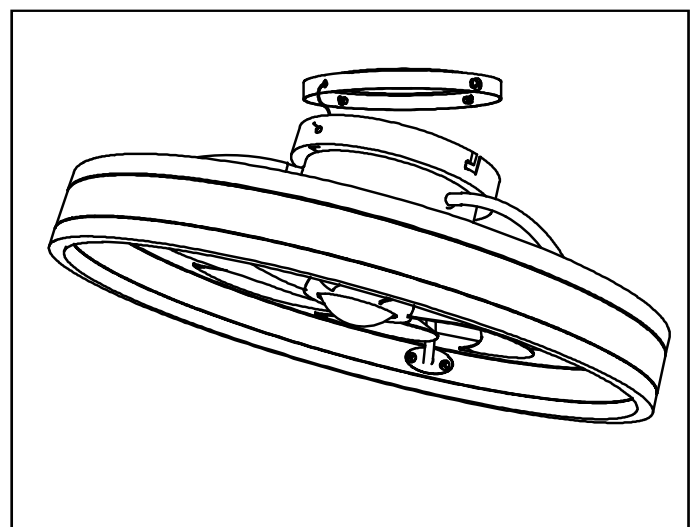
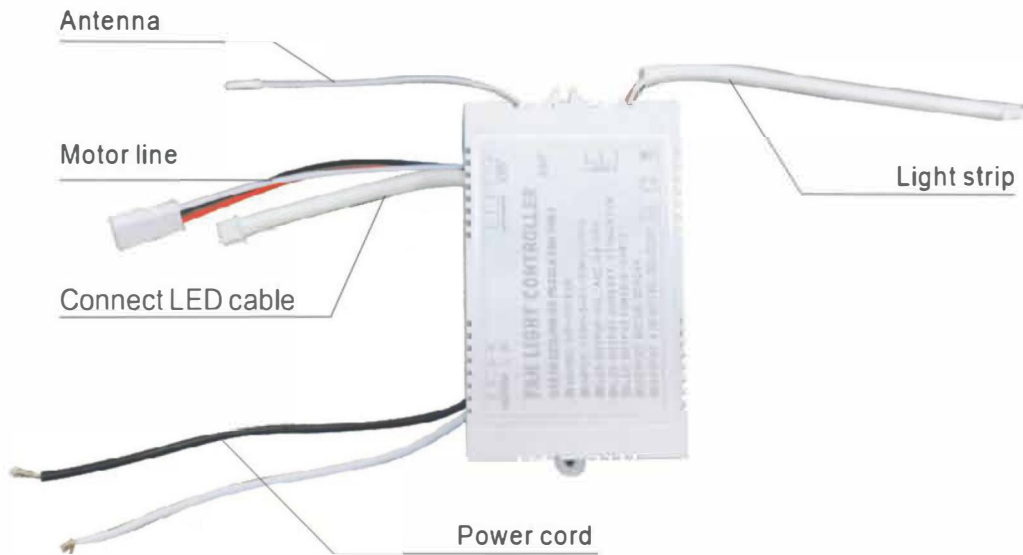


Figure 3



Carefully lift the fan to the hook ensure it is safely attached to the hook

The wiring method of the controller



Notes:

1. The receiver can not be mounted upside down so as not to affect the cover and ceiling.
2. The receiver is divided into input and output. It is forbidden to switch the input and output.
3. Working Voltage of this product: AC, 110V-245V
4. If there is a wall switch on the fan, it must be on in order to control effectively.
5. please connect the wires according to the color of the wires and the instructions on the bushing.
6. When using the remote control, please check whether the battery (note the positive and negative pole of the battery), the handle control key, the indicator light will flash when you press each key.

DC converter (bedroom) fan and other remote control instructions

(2.4G) dimming and color mixing fan controller



Scan and download the APP



Battery type

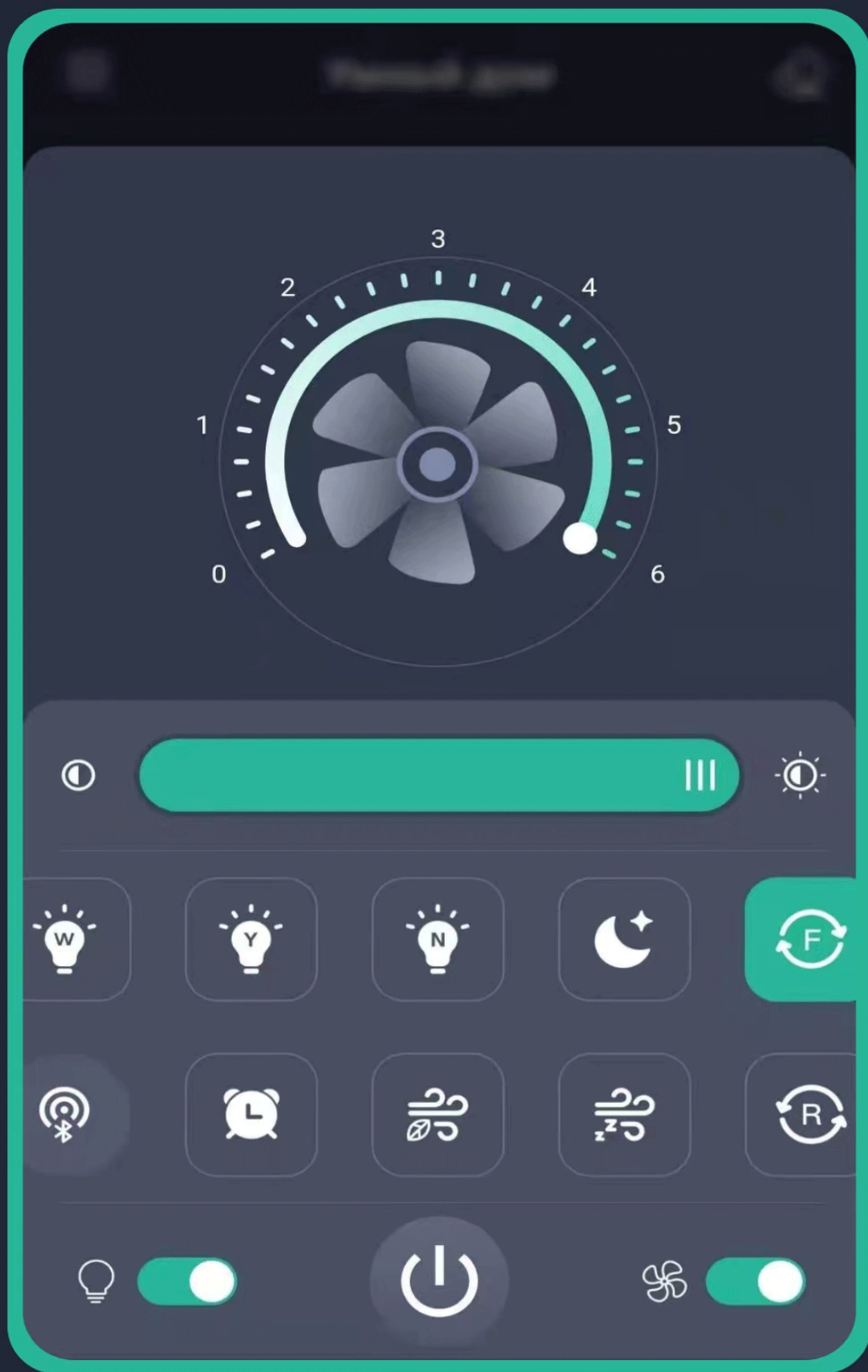
7#1.5V*2

1 Turn on the power switch, hear the "Beep" within 3 seconds after a long press "On the code" key, the receiver issued "Beep" two sound, on the code success. If there is no successful code, turn off the power and wait one minute to repeat the operation.

Warning Sign

Remote control can not be effectively controlled please check the battery long-term non-use please remove the battery.





Pair button. In order to ensure that the application can successfully control the device, please click

 this button  within 5 seconds after the device is powered on. If the device flashes or beeps, it means that the phone has been successfully paired with the device, and then the device can be controlled through the application.



Click to select a time to turn off the device.



The wind blown by the fan after clicking is like the wind in nature.



The wind blown by the fan after clicking is suitable for sleep.



The fan will rotate reverse after clicking.



Click to change the direction of the wind.



The fan will rotate forward after clicking.



When you click, the white light and the yellow light will light up at the same time, but only at 10% of the maximum brightness.



When clicked, the white light and yellow light will light at the same time, and the brightness will be the maximum brightness.



When clicked, only yellow light will light up, and the brightness will be the maximum brightness.



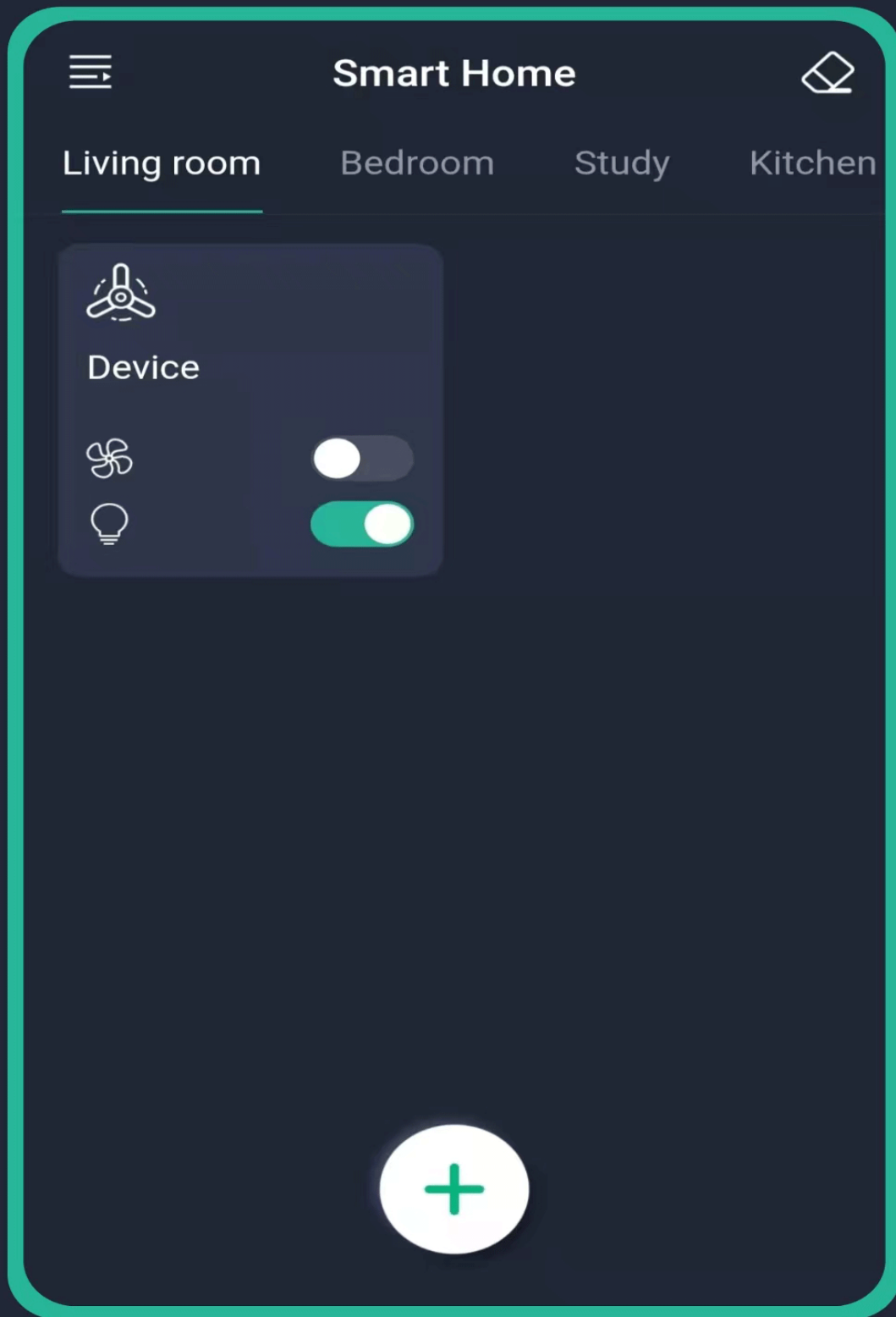
When clicked, only white light will light up, and the brightness will be the maximum brightness.



After clicking the light color will change in a cycle.



Click to turn on the auxiliary light.



Unpair button. Click this button within 5 seconds when the device is powered on. If the device flashes or beeps, it means that the phone is unpaired with the device and the phone will not be able to control the device.

When in the room page, long press the device card you can delete the device or change the device name.

Troubleshooting

⚠️ WARNING

For your own safety turn off power at fuse box or circuit breaker before trouble shooting.

Trouble	Probable Cause	Suggested Remedy
1. FAN WILL NOT START	<ol style="list-style-type: none"> 1. Fuse or circuit breaker blown. 2. Loose power line connections to the fan, or loose switch wire connections in the switch housing. 3. Dead battery in remote control. 4. Reversing switch in neutral position. 	<ol style="list-style-type: none"> 1. Check main and branch circuit fuses or circuit breakers. 2. Check line wire connections to fan and switch wire connections in the switch housings. <p>CAUTION: Make sure main power is turned off !</p> <ol style="list-style-type: none"> 3. Replace with new battery. 4. Make sure reversing switch position is all the way to one side.
2. FAN SOUNDS NOISY	<ol style="list-style-type: none"> 1. Loose screws in motor housing. 2. Wire connectors inside housing rattling. 3. Motor noise caused by solid state variable speed control. 	<ol style="list-style-type: none"> 1. Check to make sure all screws in motor housing are snug (do not overtighten). 2. Check to make sure wire connectors in switch housing are not rattling against each other or against the interior wall of the switch housing. <p>CAUTION: Make sure main power is turned off!</p> <ol style="list-style-type: none"> 3. Some fan motors are sensitive to signals from solid-state variable speed controls. Solid-state control are not recommended, choose an alternative control method.
3. FAN WOBBLERS EXCESSIVELY	<ol style="list-style-type: none"> 1. Setscrew in downrod support is loose. 2. Setscrew in downrod/hanger ball assembly is loose. 3. Hanger bracket and/or ceiling outlet box is not securely fastened. 	<ol style="list-style-type: none"> 1. Tighten both setscrews securely in downrod support. 2. Tighten the setscrew in the hanging plate assembly. 3. Tighten the hanger bracket screws to the outlet box, and secure outlet box.

Maintenance

1. Periodic cleaning of your new ceiling fan is the only maintenance that is needed. When cleaning use only a soft brush or lint free cloth to avoid scratching the finish. Abrasive cleaning agents are not required and should be avoided to prevent damage to finish.

CAUTION

Do not use water to cleaning your ceiling fan. It could damage the motor or the finish and create the possibility of electrical shock.

Warranty

Dear Customer:

We warrants that this product is free from defects in materials and workmanship for a period of 1 year from the day of purchase. If the product has been misused, damaged by accident or in any other way of improper use, this warranty becomes void.