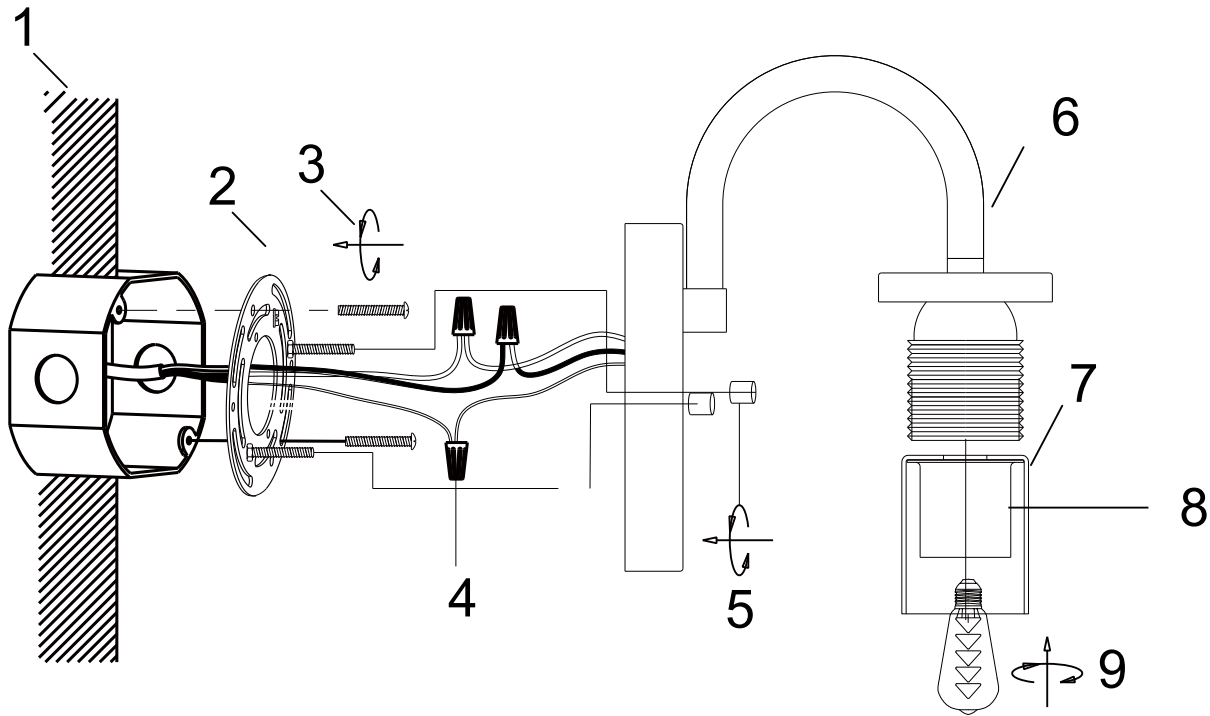
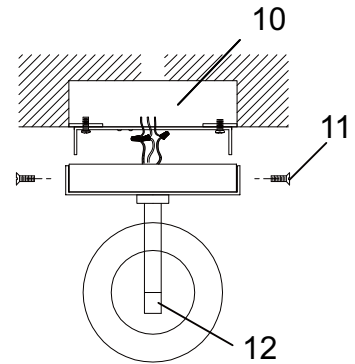


INSTALLATION INSTRUCTIONS



Components:

- | | |
|--------------------|------------------------------|
| 1. Junction box | 7. Glass Lampshade |
| 2. Hanging Board | 8. Outer Ring of Lamp Cap |
| 3. M4 Screw | 9. Light Bulb (Not included) |
| 4. Terminal Cap | 10. Terminal Cap |
| 5. Square wall box | 11. M4 Screw |
| 6. Lampholder | 12. M4 Screw |



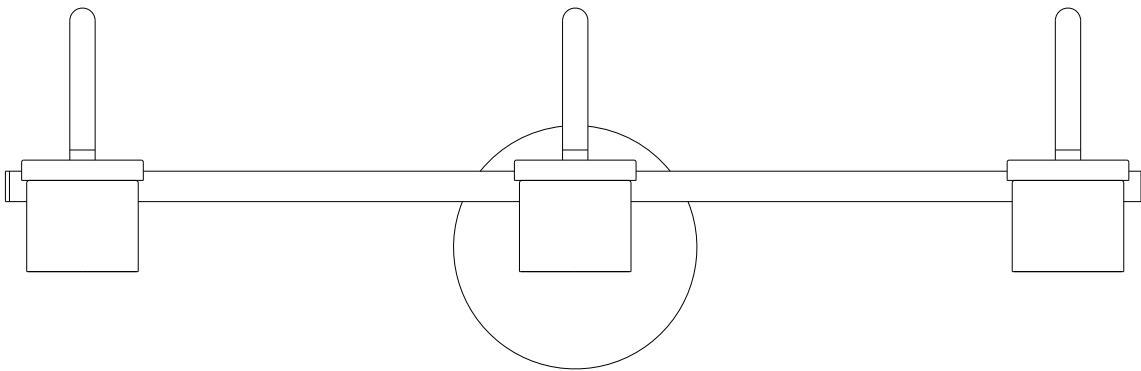
Installation Steps:

1. **Warning:** Be sure the electricity to the wires you are working on is shut off; either the fuse is removed or the circuit.
2. Remove the Hanging Board and lock it to the Junction box with the M4 Screw delivered in the kit.
3. Install glass lamp shade and bulb as shown. Attention: 1. Bulbs are not included in the product, please prepare your own E26 bulbs. 2. not over screw the shade as it may lead to crack.
4. Connect the hot wire (usually black insulation) from the fixture to the black wire from the power source.
---Connect the neutral wire (usually white insulation) from the fixture to the white wire from the power source.
---Attach the fixture grounding wire (usually green insulation or bare wire) to the mounting plate with the green grounding screw. Then connect it to the house grounding wire with the wire nut.
5. Attach the fixture body on the mounting plate, secure it with two M4 screw.
6. When the lighting product is fully installed, you can turn on the switch and enjoy the light

Important:

Please read carefully and save these instructions, as you may need them at a later date. When using electrical equipment, basic safety precautions should always be followed as below:

- 1.The lamps are recommended to be installed by authorized and qualified technicians in accordance with valid electrical installation regulations.
- 2.The manufacturer does not accept any responsibility for injuries or damage resulting from improper use of the light.
- 3.Attention! Before starting the installation work, make sure that the mains power line is voltage-free-turn off safety cutout or unscrew the protection fuse. The switch must be "OFF".
- 4.Warning! Before drilling the mounting holes, make sure that no gas, water or electricity pipes and wires can be drilled through or damaged in your chosen mounting location.
- 5.No user serviceable parts inside.
- 6.Place the device out of reach from children under 3 years old.
- 7.Risk of electric shock-do not use where directly exposed to water.
- 8.Description of the supply terminals: L=Phase N=Neutral conductor ⊕=Earthed conductor.



Care and Cleaning:

- To clean the outside of the fixture, use a dry or slightly dampened clean cloth (use clean water, never a solvent) to wipe the surface of the fixture.
- To clear the inside of the fixture, first disconnect power to the fixture by turning off the circuit breaker or by removing the fuse at the fuse box. Next, use a dry or slightly dampened clean cloth (use clean water, never a solvent) to wipe the interior surface of the fixture.
- Do not use any cleaners with chemical, solvents or harsh abrasives. Use Only a dry soft cloth to dust or wipe carefully.

GENERAL

You don't need special tools to install this fixture. Be sure to follow the steps in the order given. Read instructions carefully. If you are unclear as to how to proceed, consult a qualified electrician.