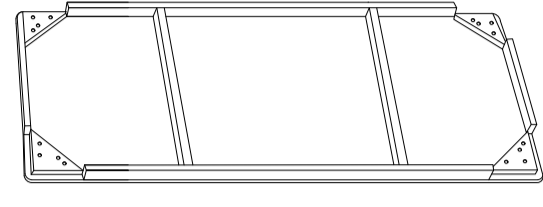
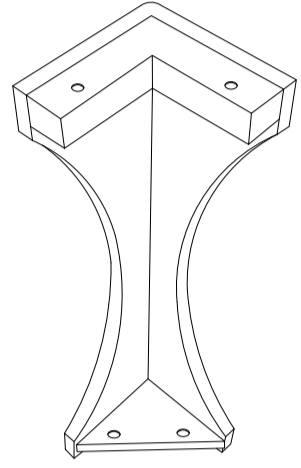
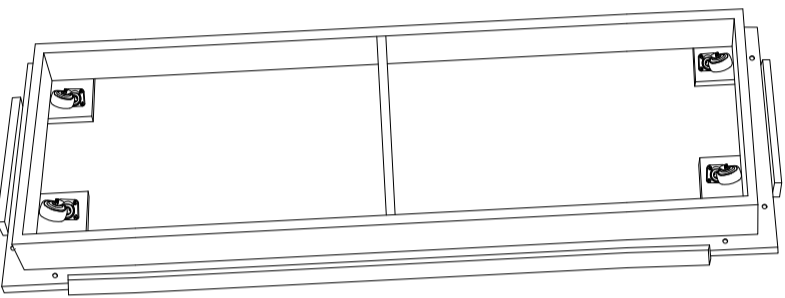


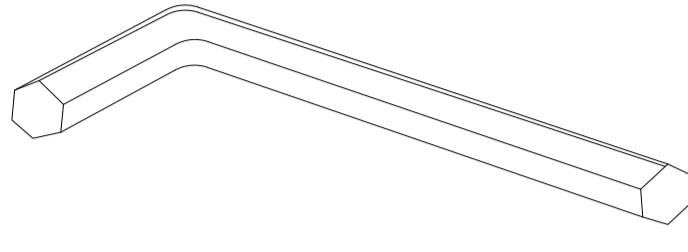
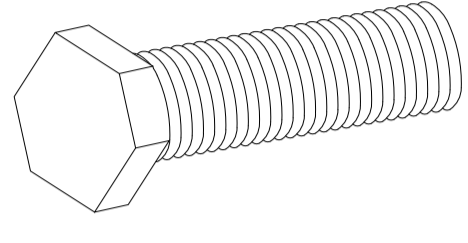
ASSEMBLY INSTRUCTIONS

CVFNR4214

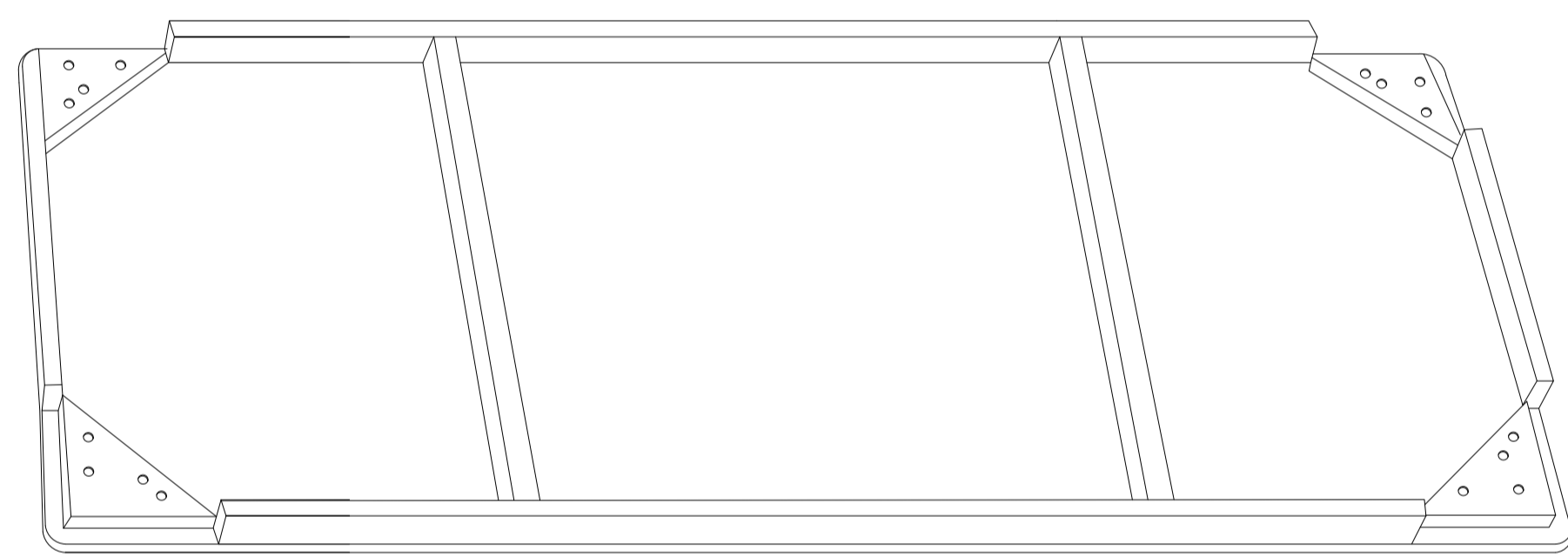
PARTS

HARDWARE

| S.NO. | DESCRIPTION | QTY. |
|----------|--|-------|
| P |  TOP | 1 Pc |
| Q |  LEG Q1,Q2,Q3,Q4 | 4 Pcs |
| R |  BOTTOM | 1 Pc |

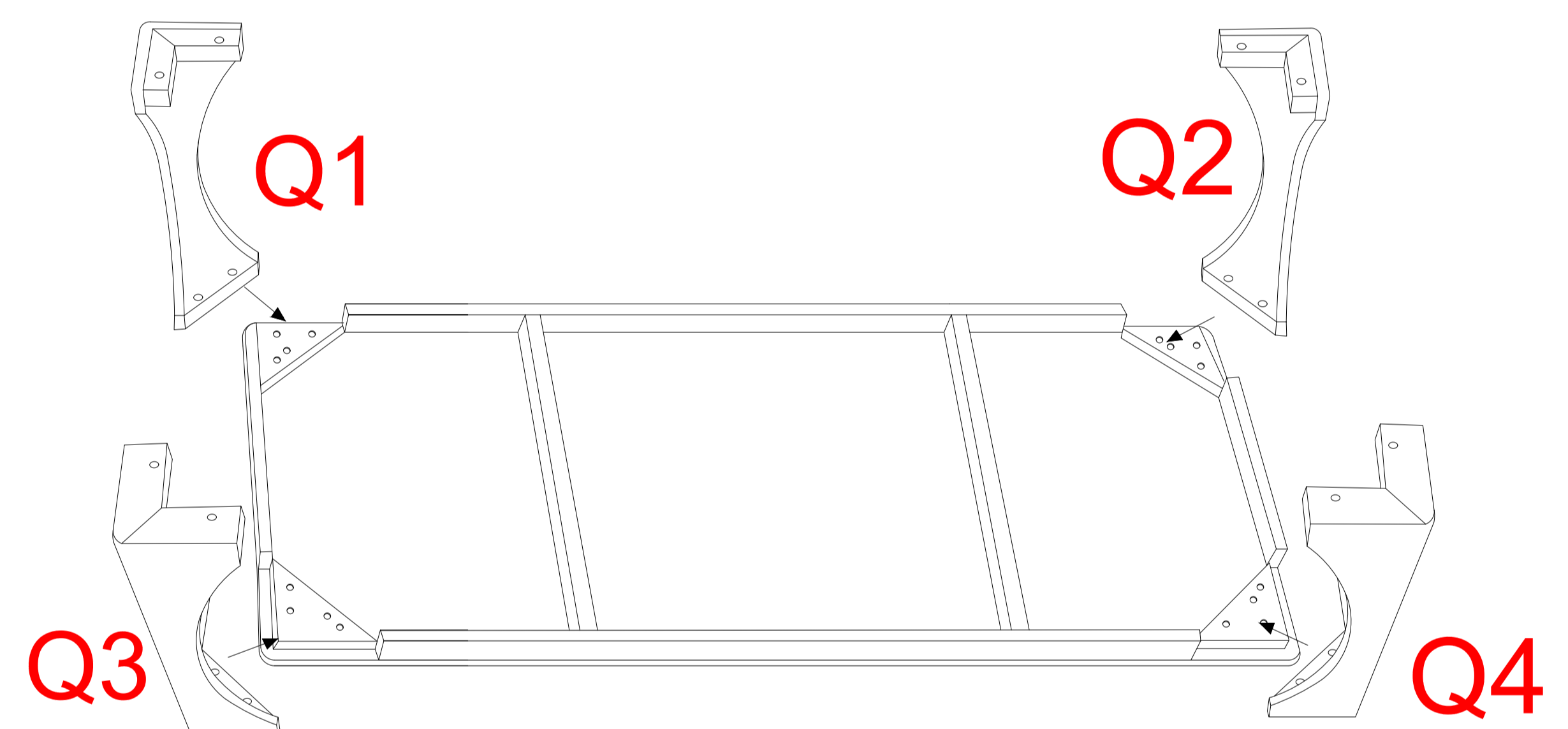
| S.NO. | DESCRIPTION | QTY. |
|----------|---|--------|
| A |  ALLEN KEY | 1 Pcs |
| B |  ALLEN KEY BOLT | 16 Pcs |

STEP-1



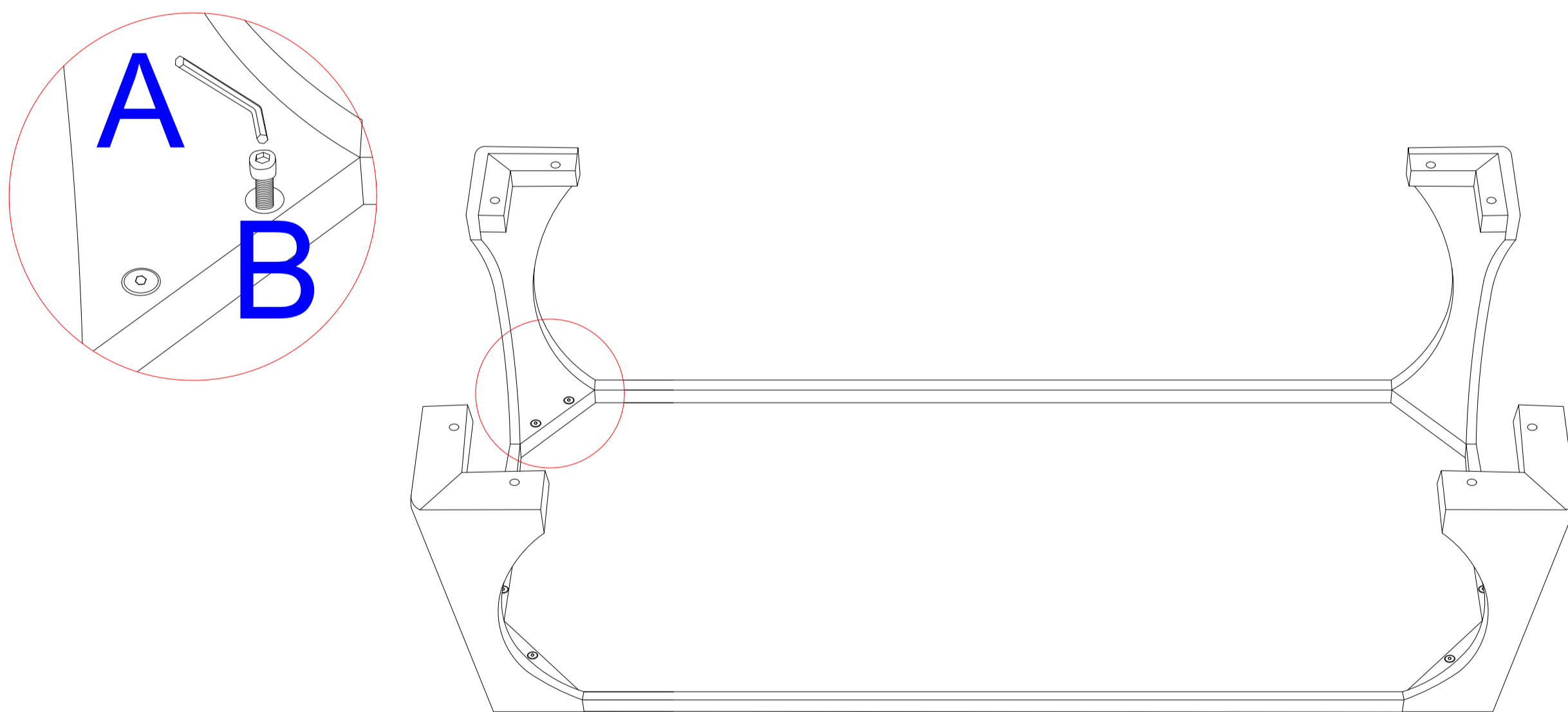
P

STEP-2

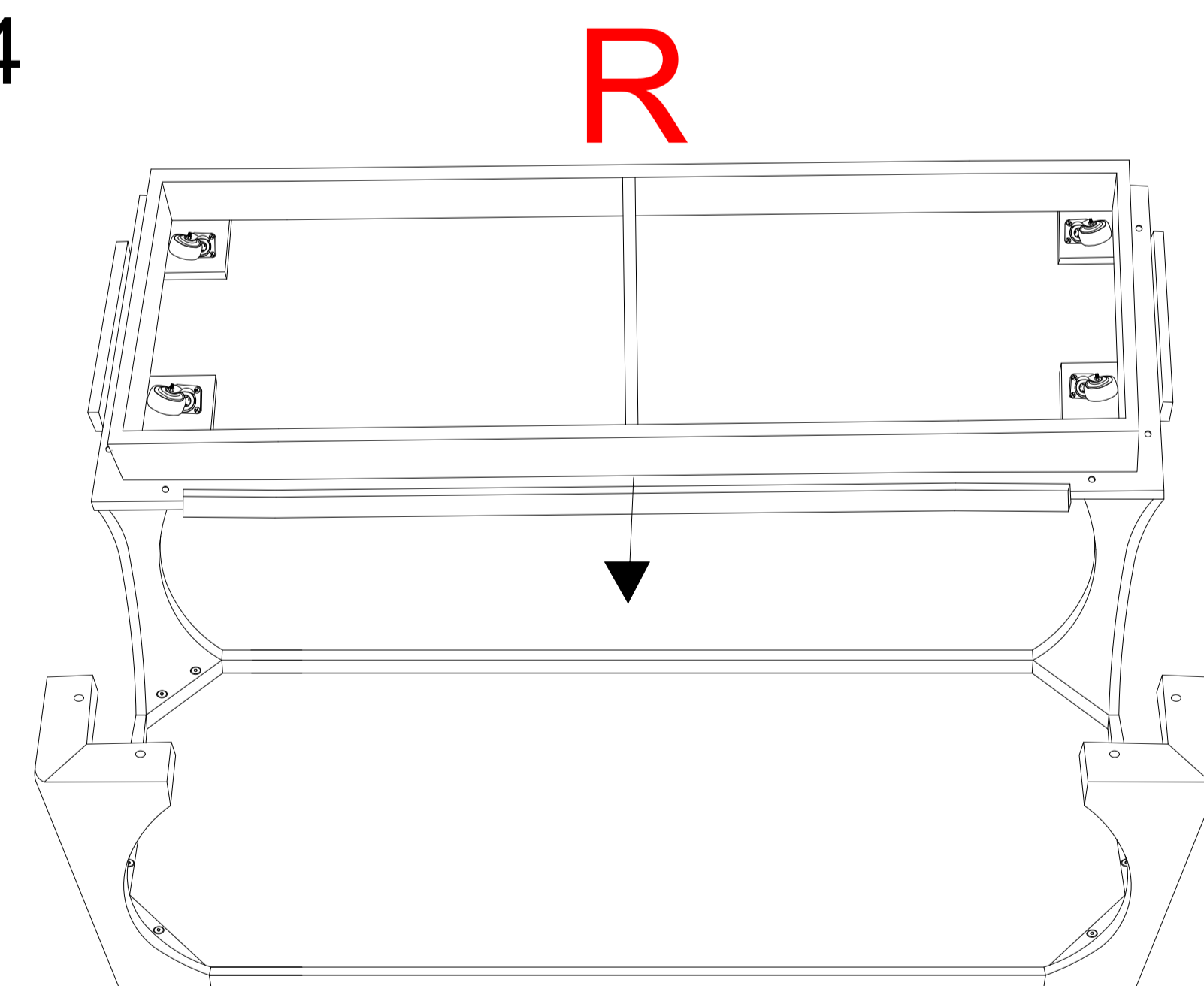


P

STEP-3

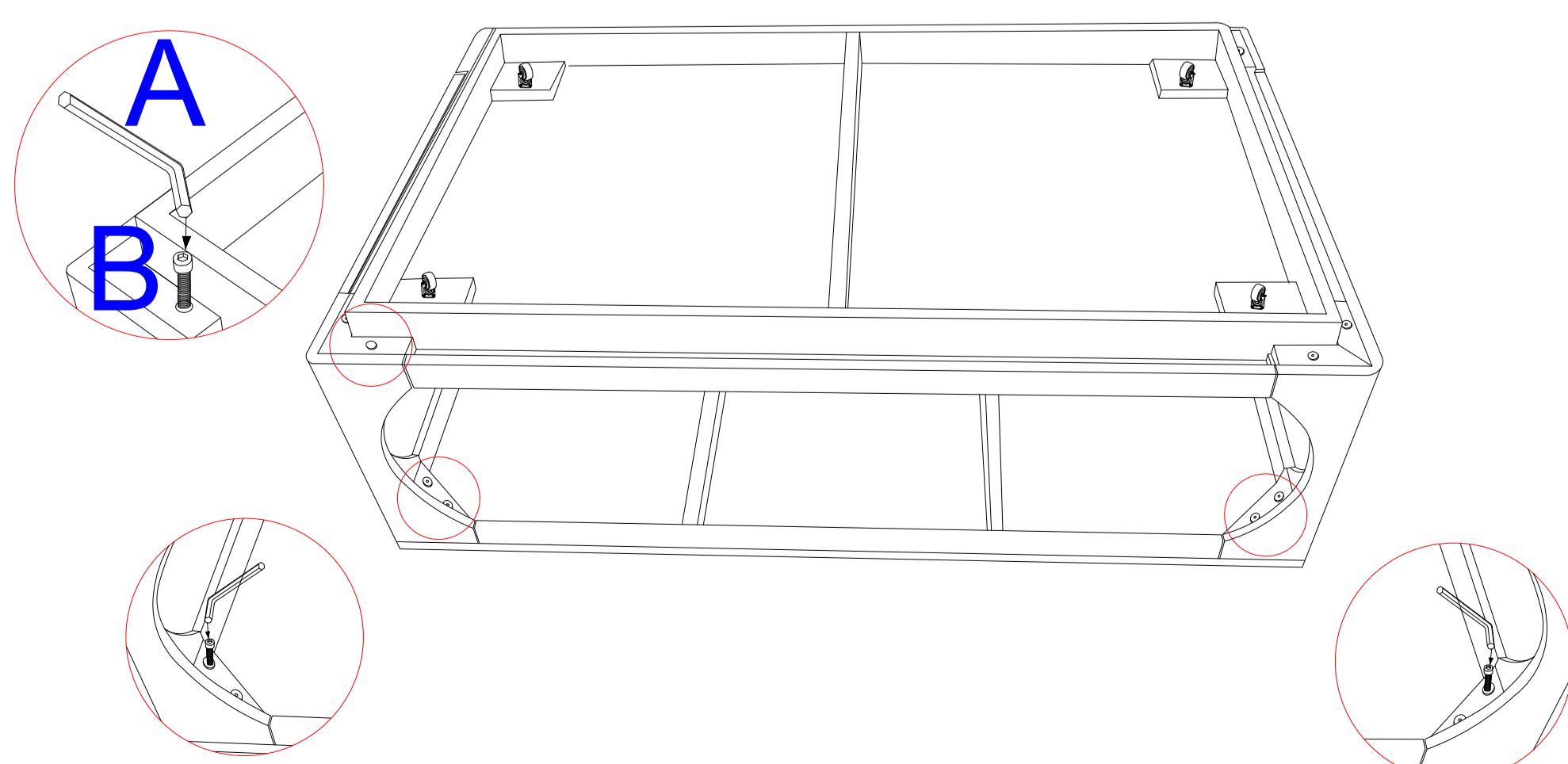


STEP-4



R

STEP-5



STEP-6

