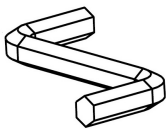
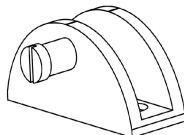
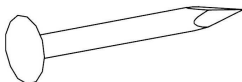
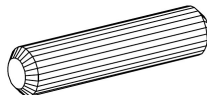
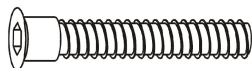

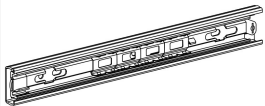

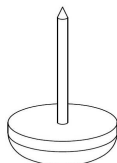
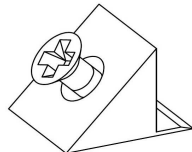
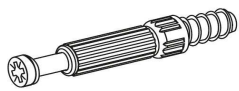
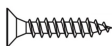
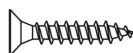
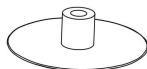
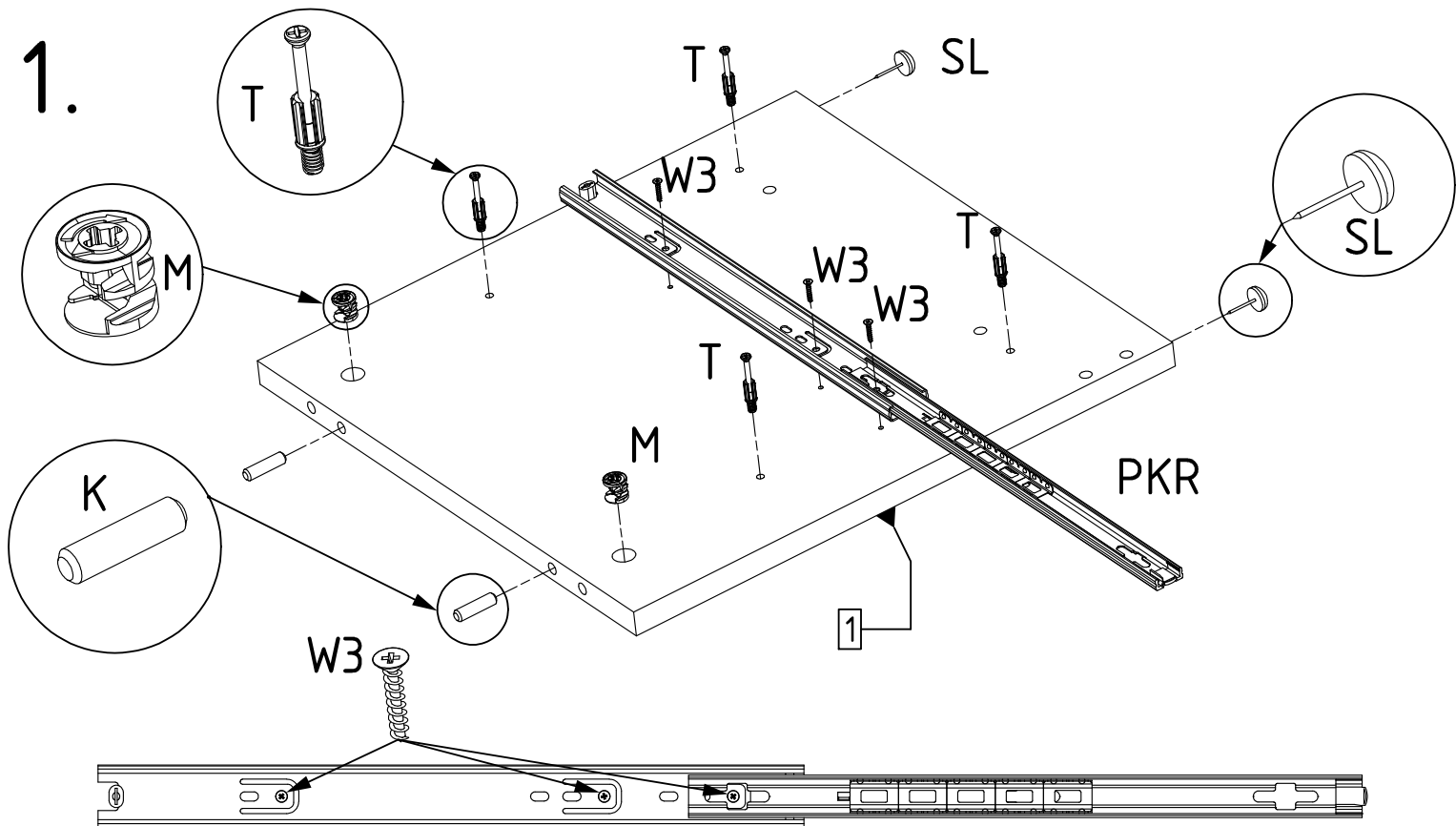
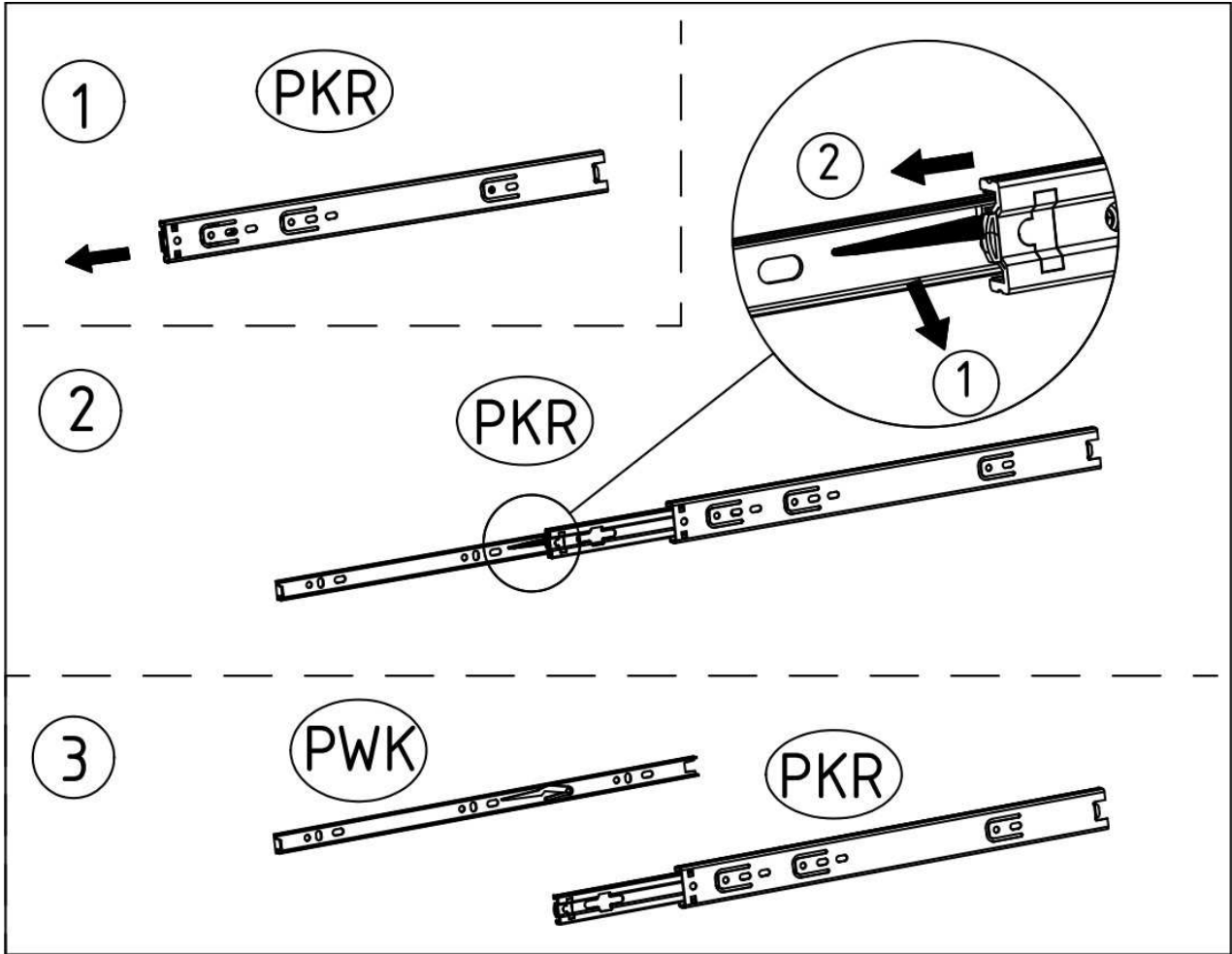
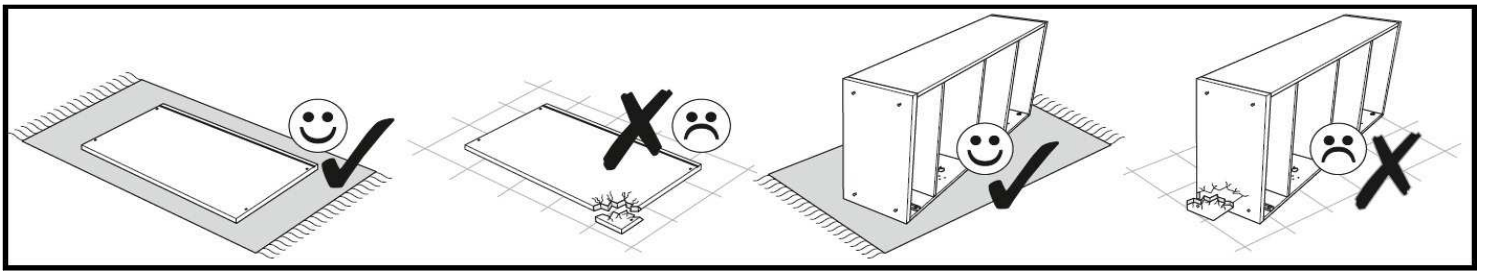
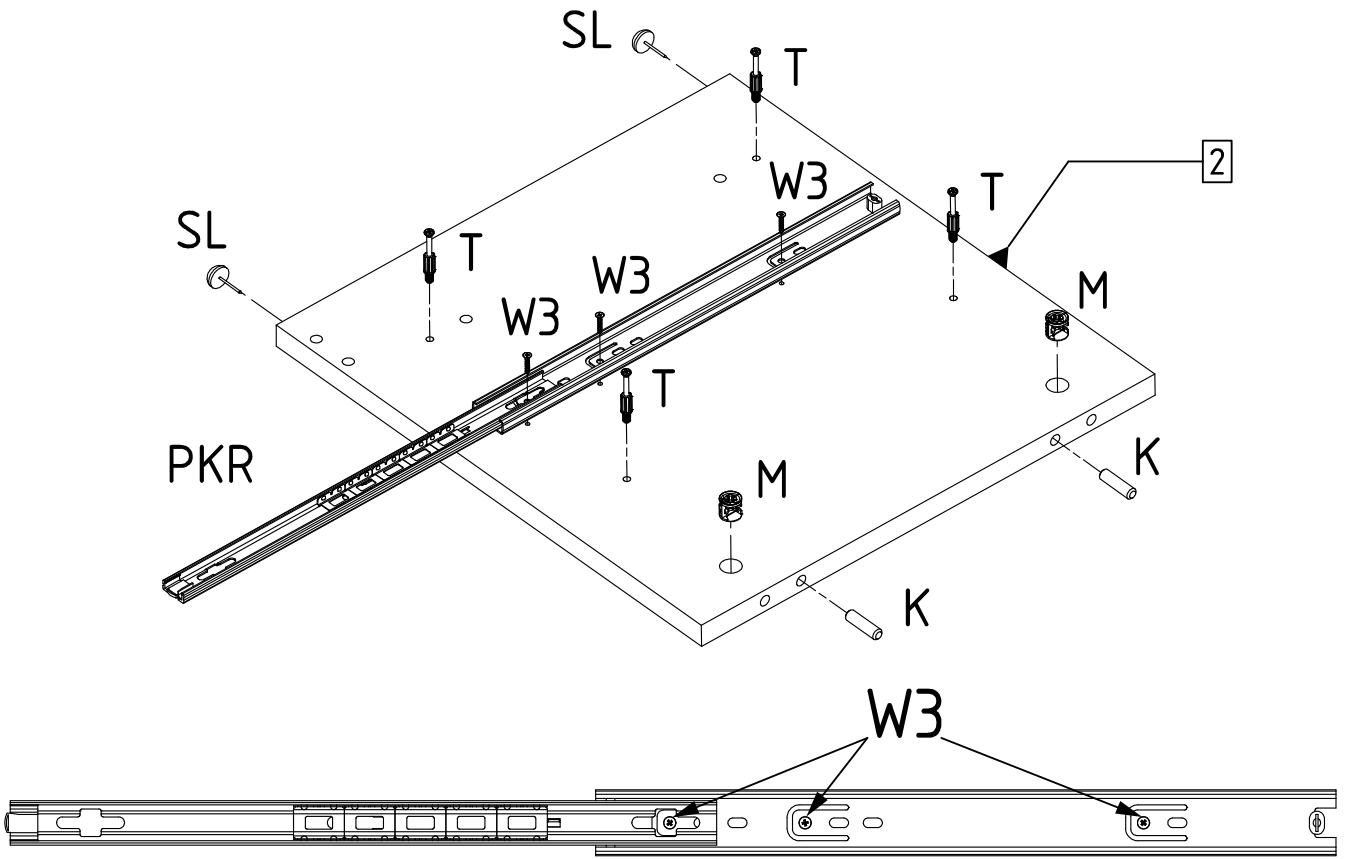


Table accessories

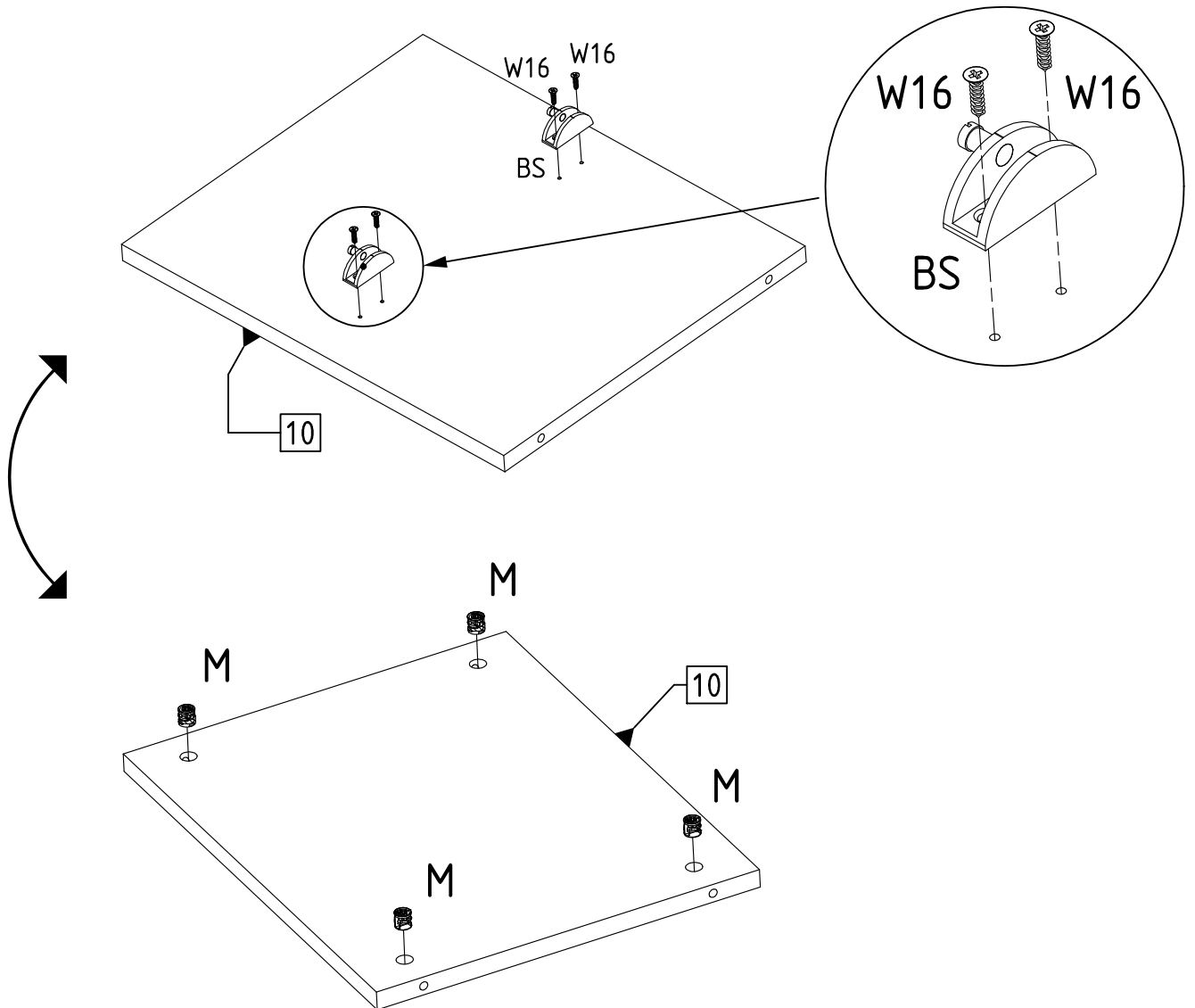
 A1	 BS	 G	8 x 30  K	6,3 X 50  KN
15 x 12  M	L350  PKR	L350  PWK	 SL	 ST
6 x 34 mm  T	4 x 16  W16	3 x 16mm  W3	 Z	

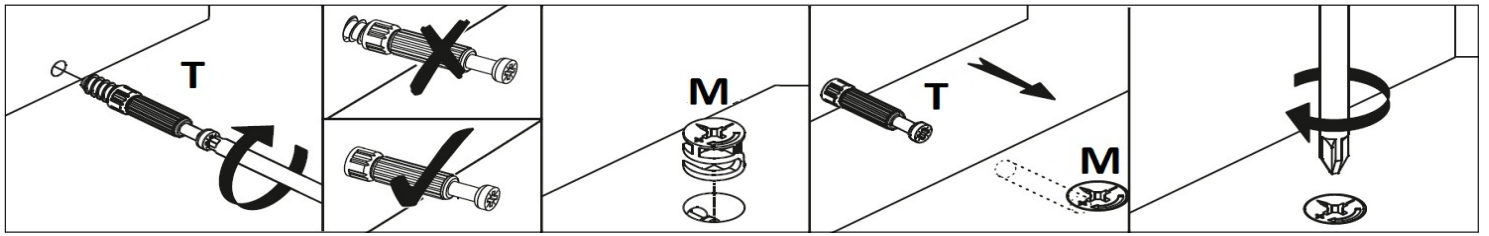
Elements				Accessories	
SYMBOL	LENGTH	WIDTH	QUANTITY	SYMBOL	QUANTITY
BL [1]	16.77	15.75	1	A1	1
BP [2]	16.77	15.75	1	BS	2
CD [3]	18.23	3.54	1	G	25
FTS [4]	17.99	7.28	1	K	14
KBL [5]	13.78	3.94	1	KN	4
KBP [6]	13.78	3.94	1	M	14
KD [7]	17.13	13.94	1	PKR [L-350]	2
KT [8]	15.87	3.94	1	PWK [L-350]	2
PC [9]	19.45	14.53	1	SL	5
PPO [10]	18.23	15	1	ST	2
PS [11]	14.33	5.24	1	T	14
WD [12]	18.23	14.96	1	W16	4
WG [13]	19.69	15.75	1	W3	10
				Z	14



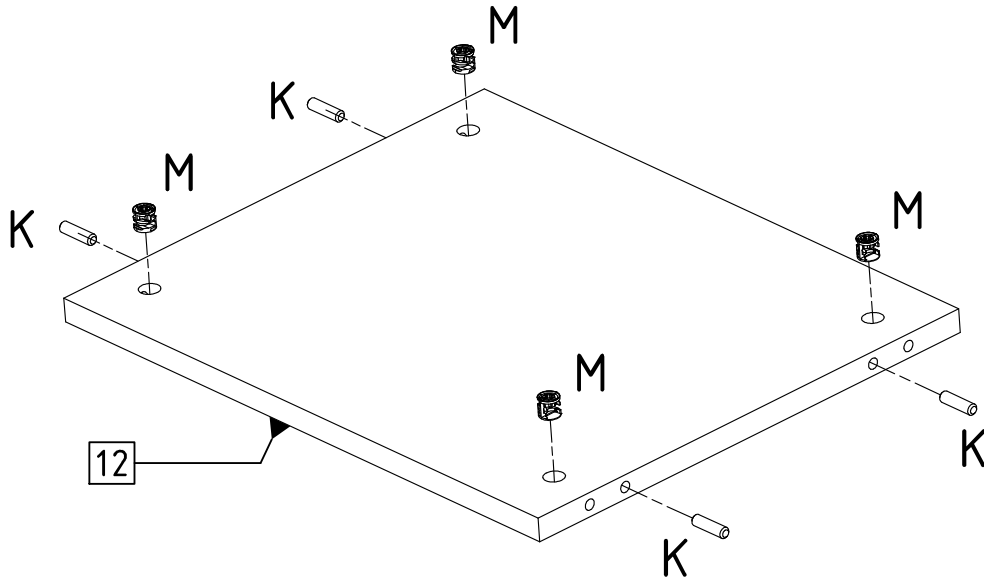


2.

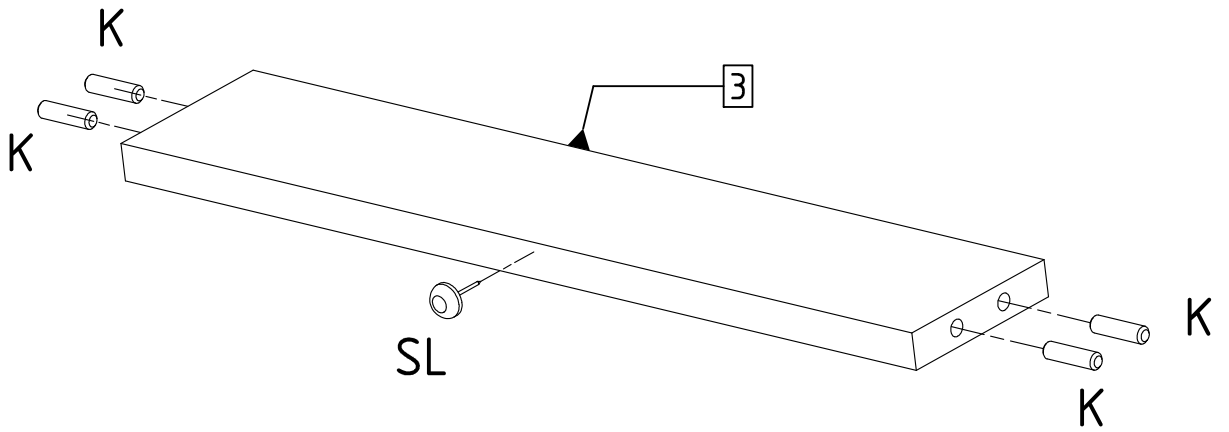




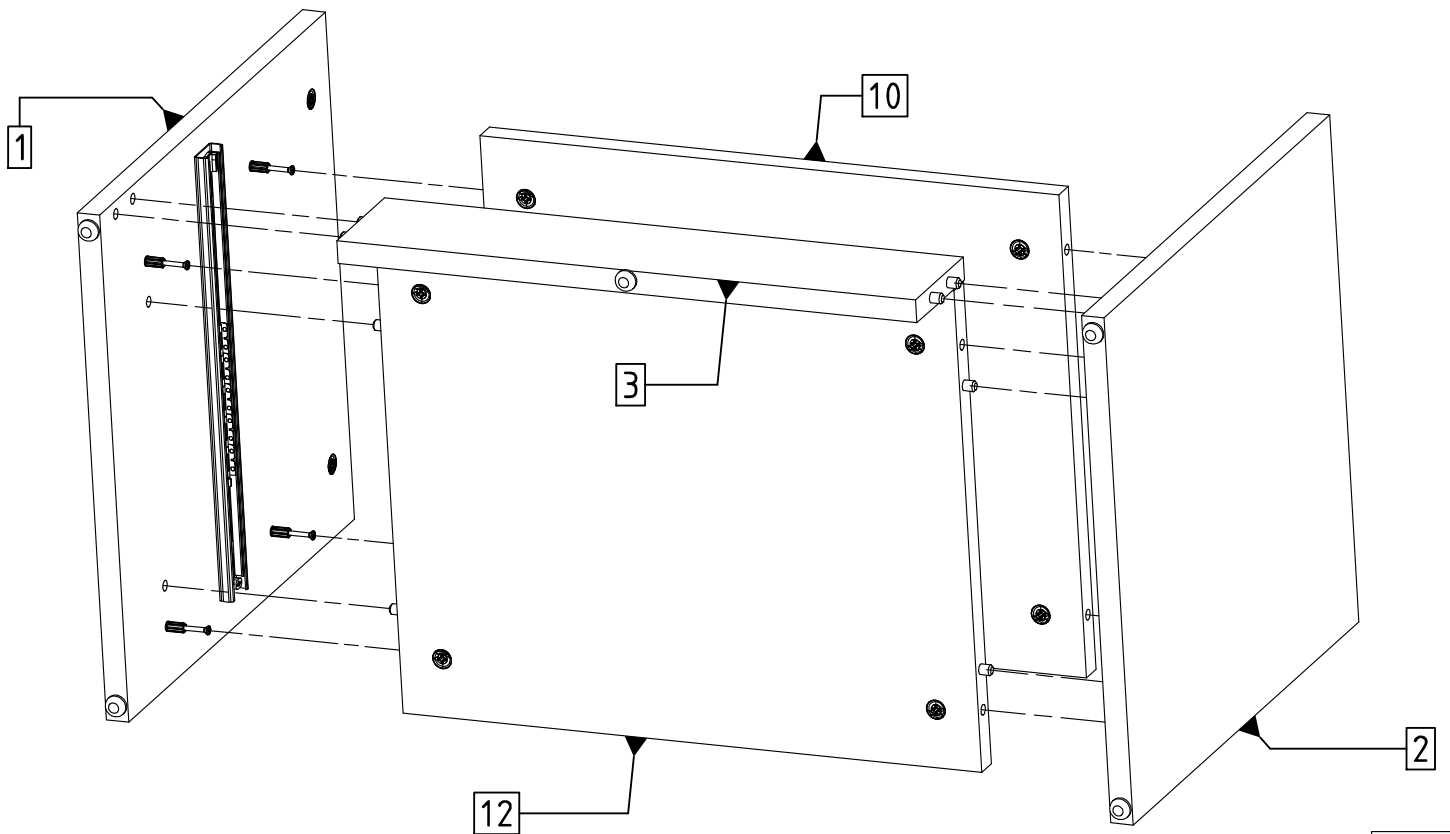
3.



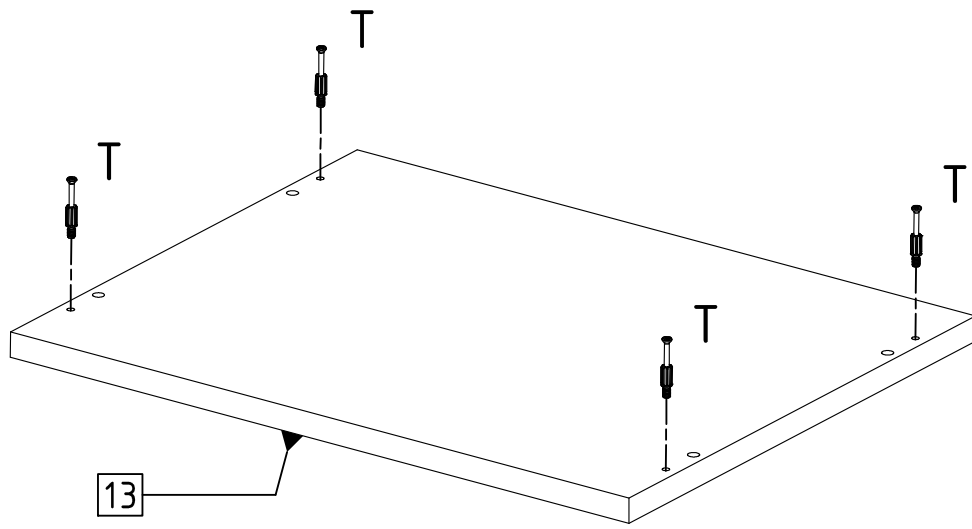
4.



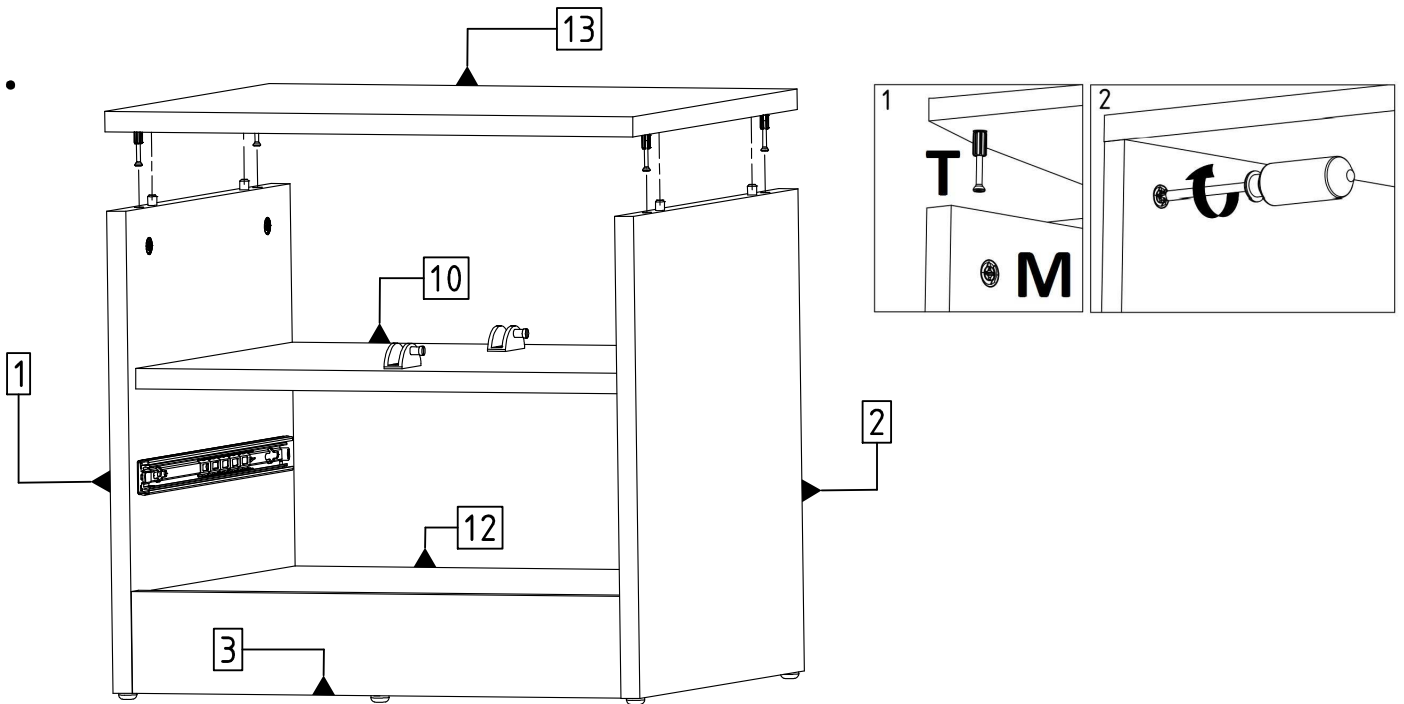
5.



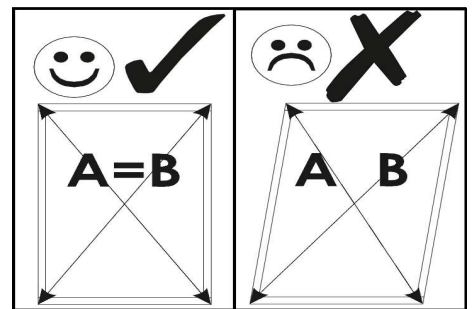
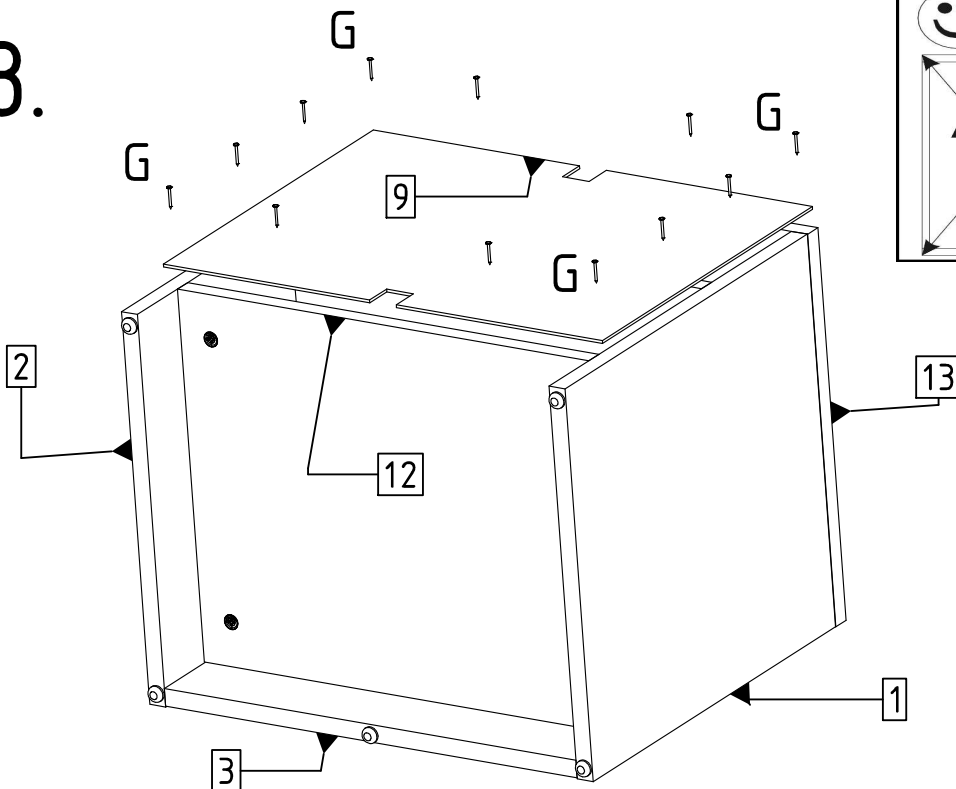
6.



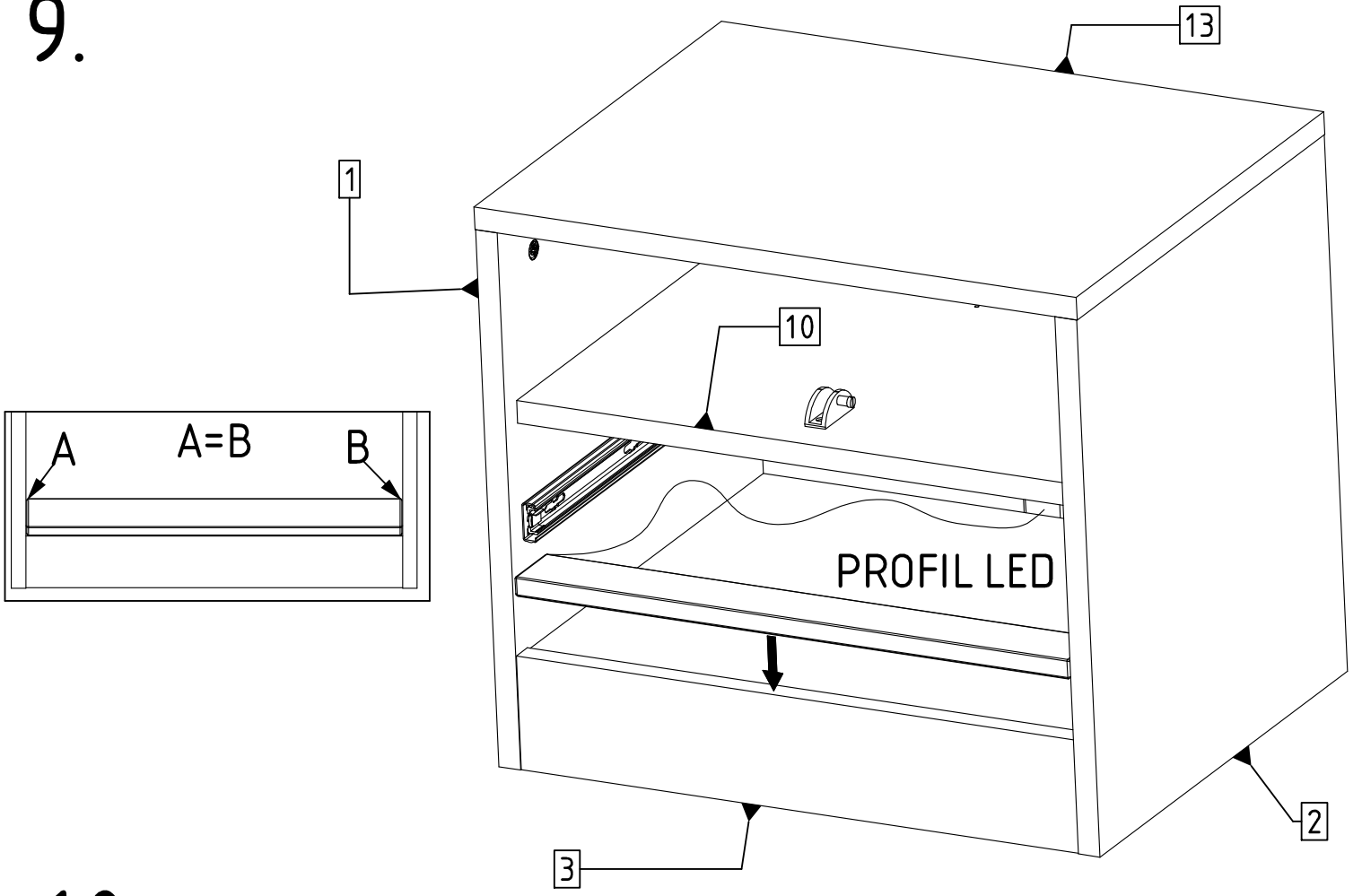
7.



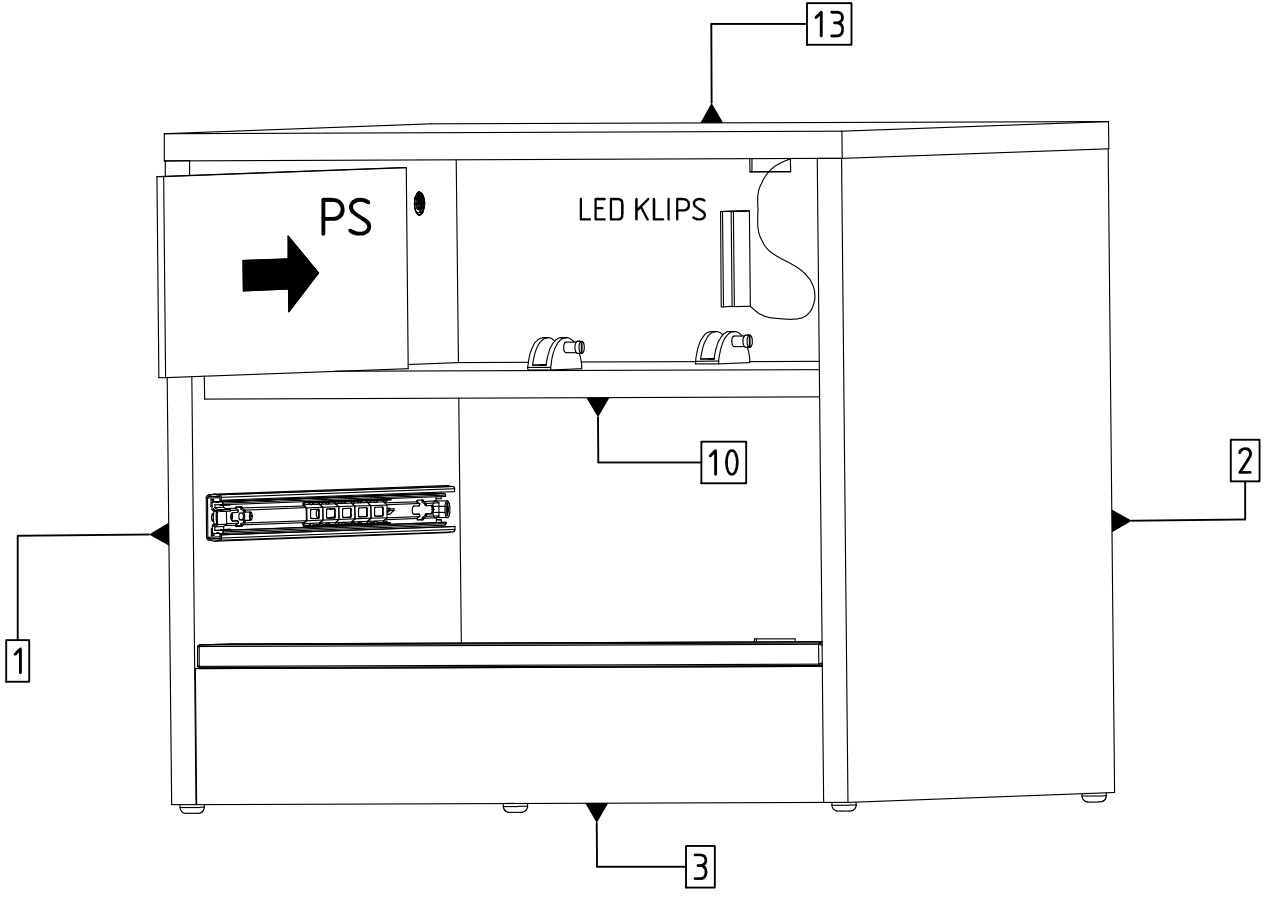
8.



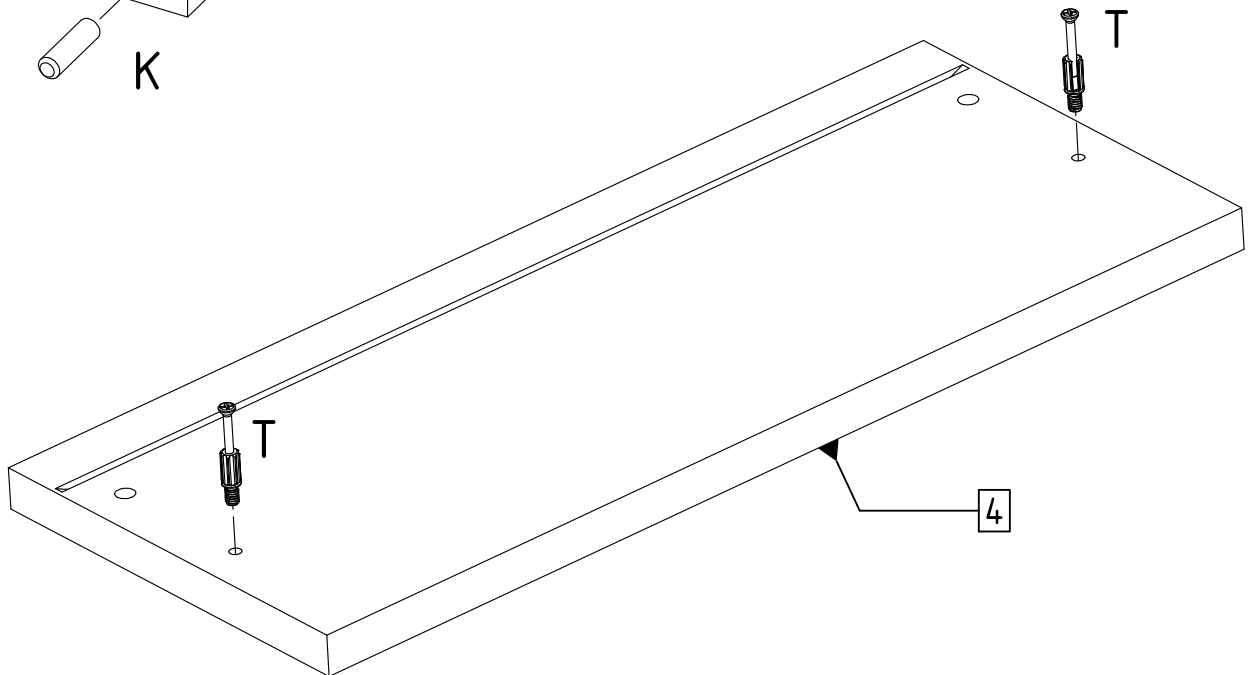
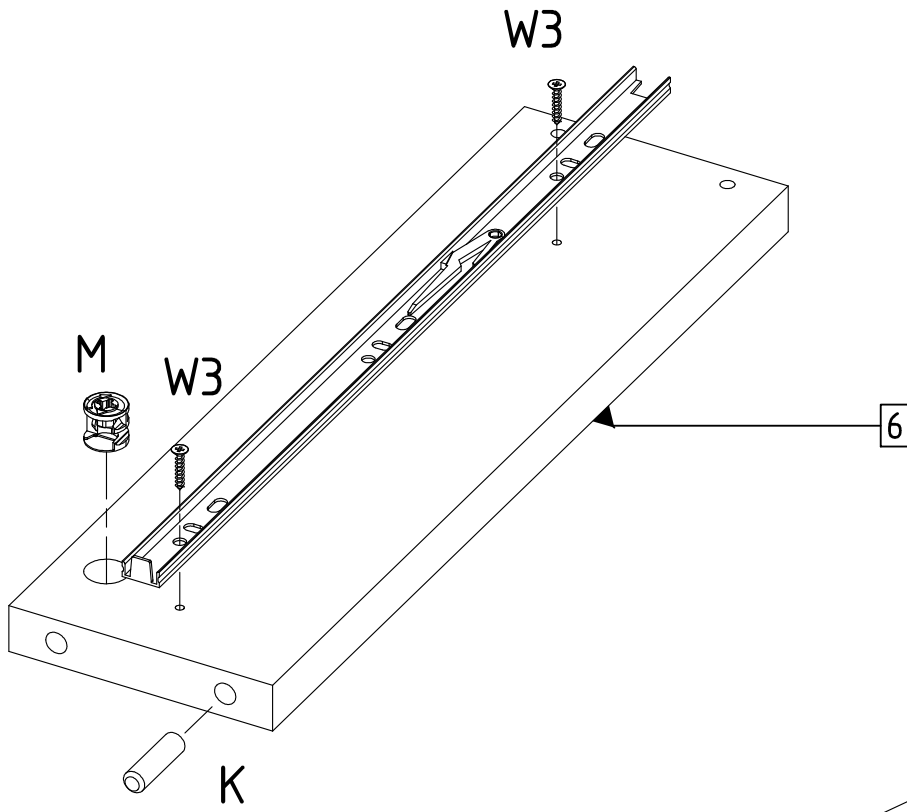
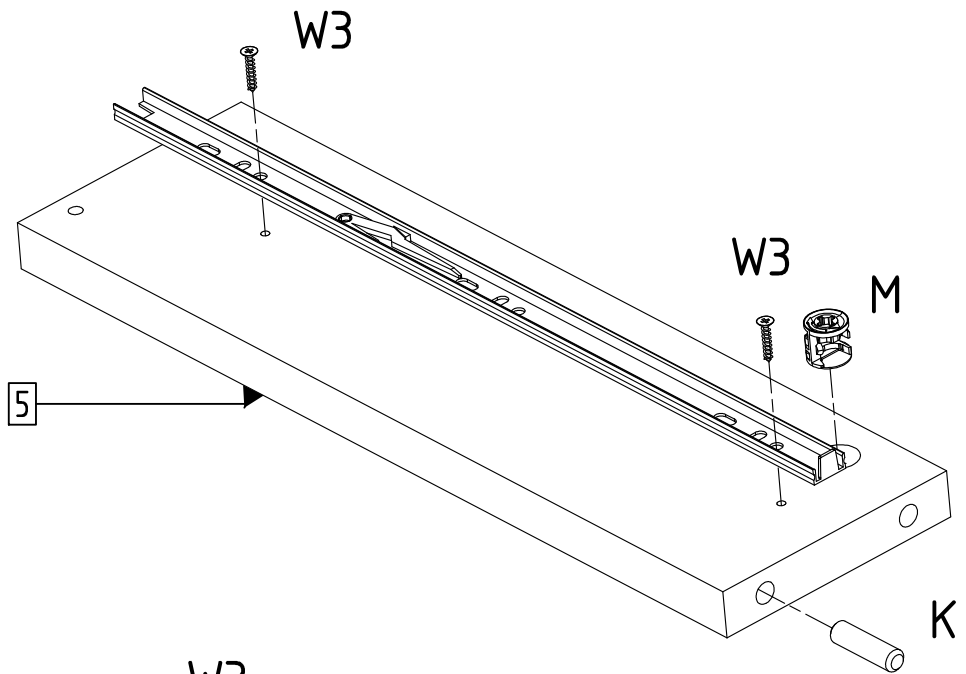
9.



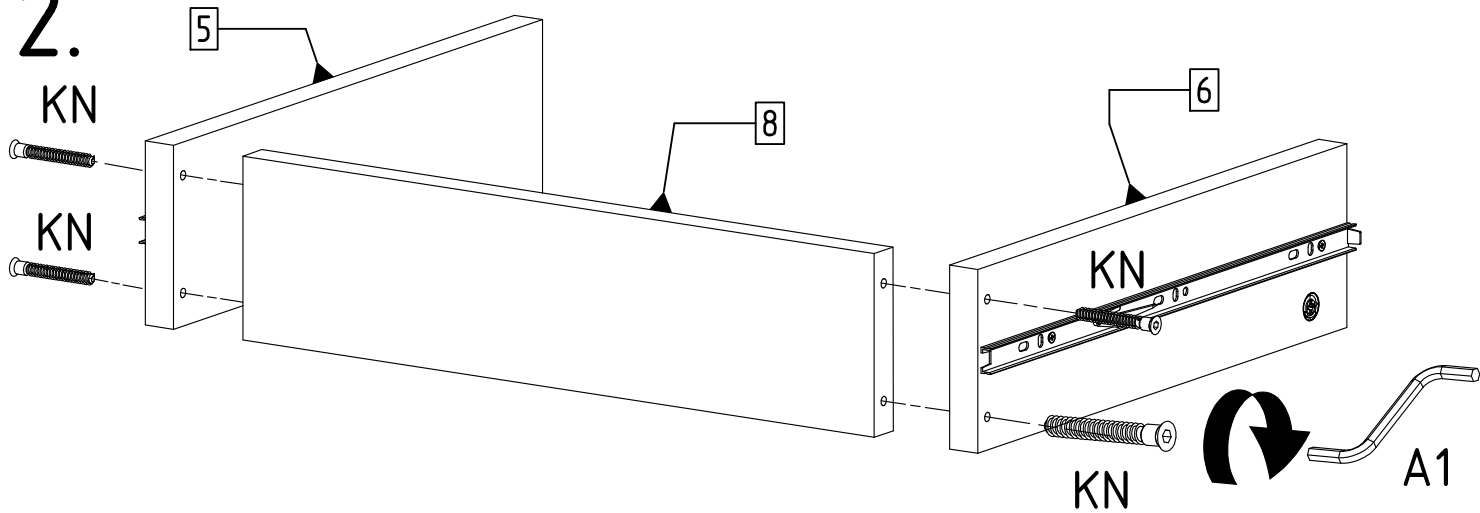
10.



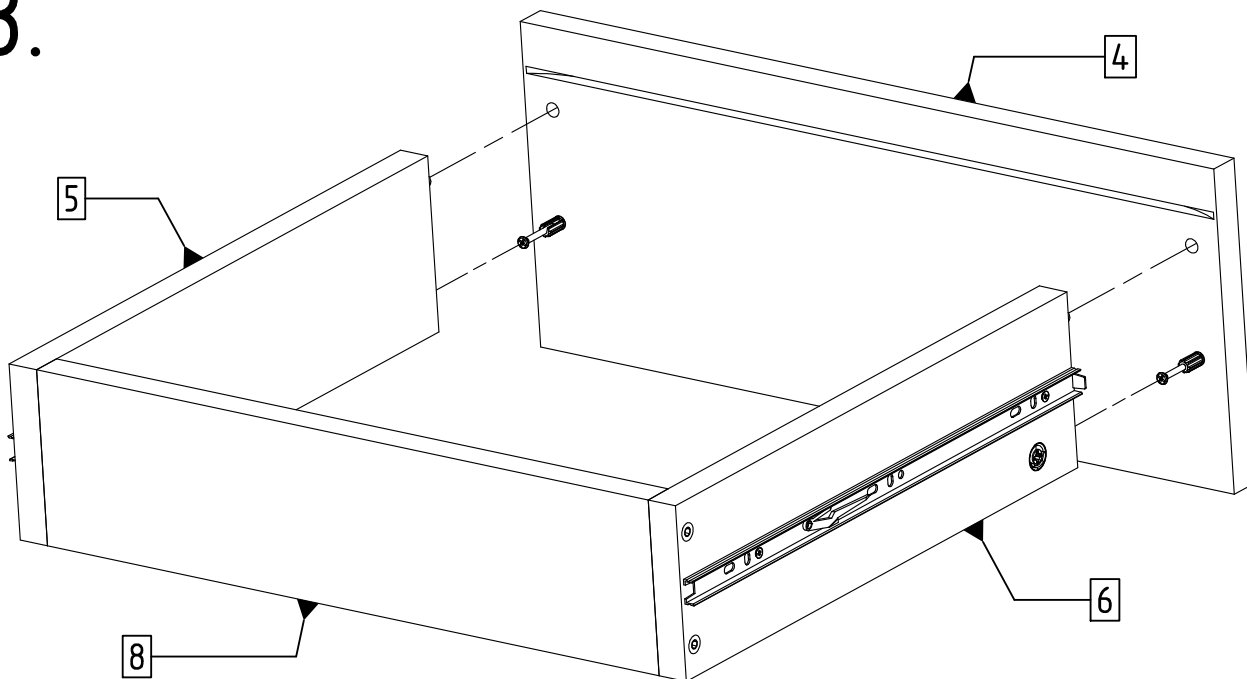
11.



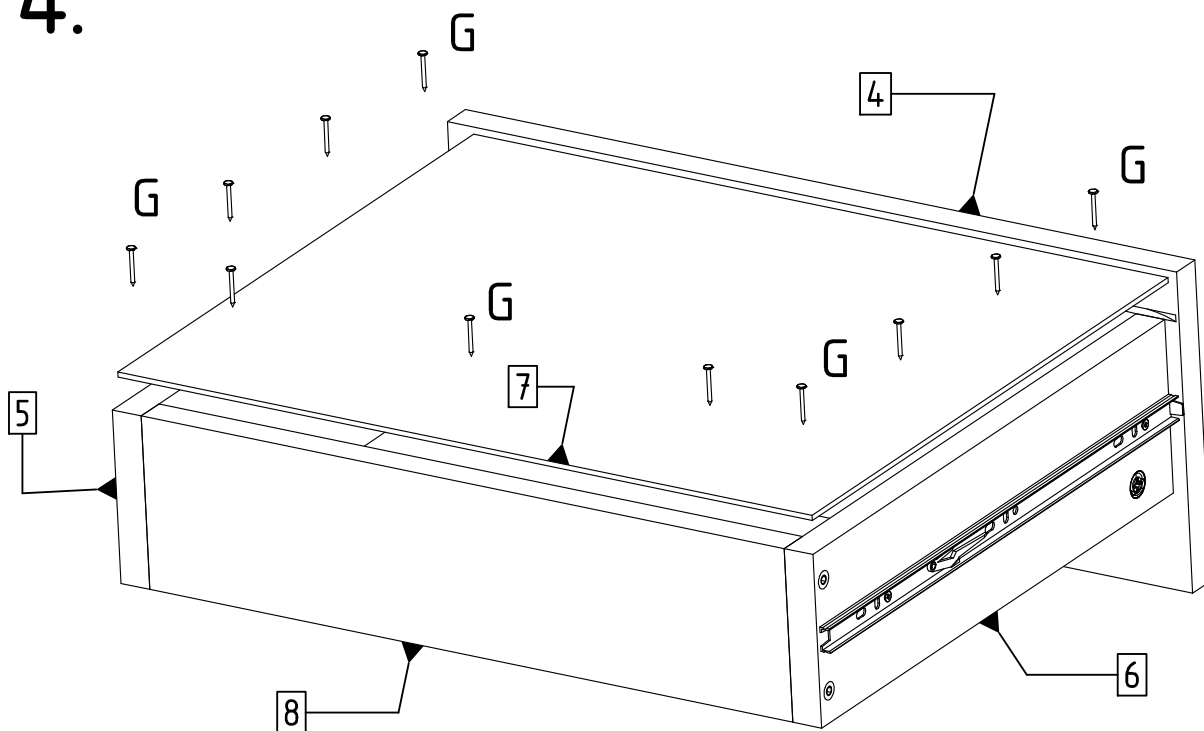
12.



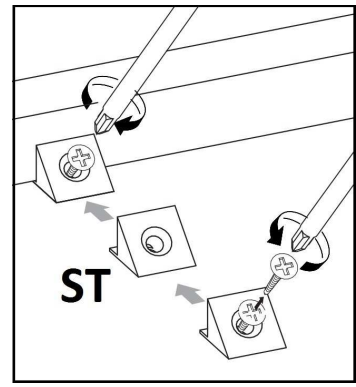
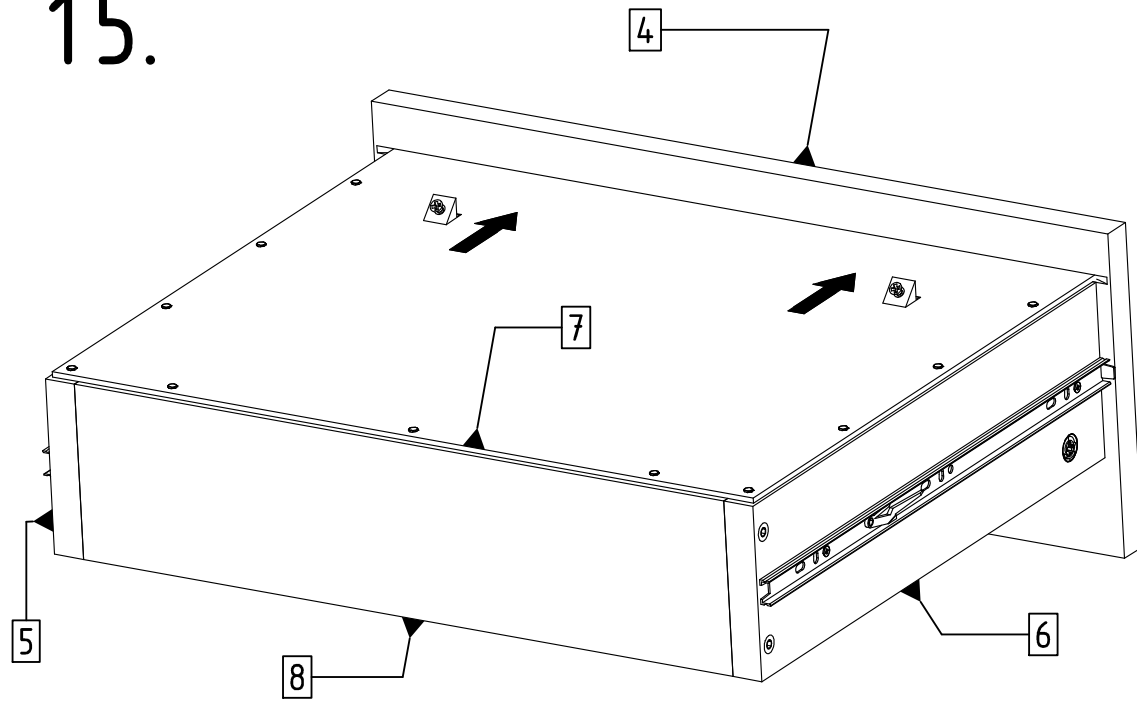
13.



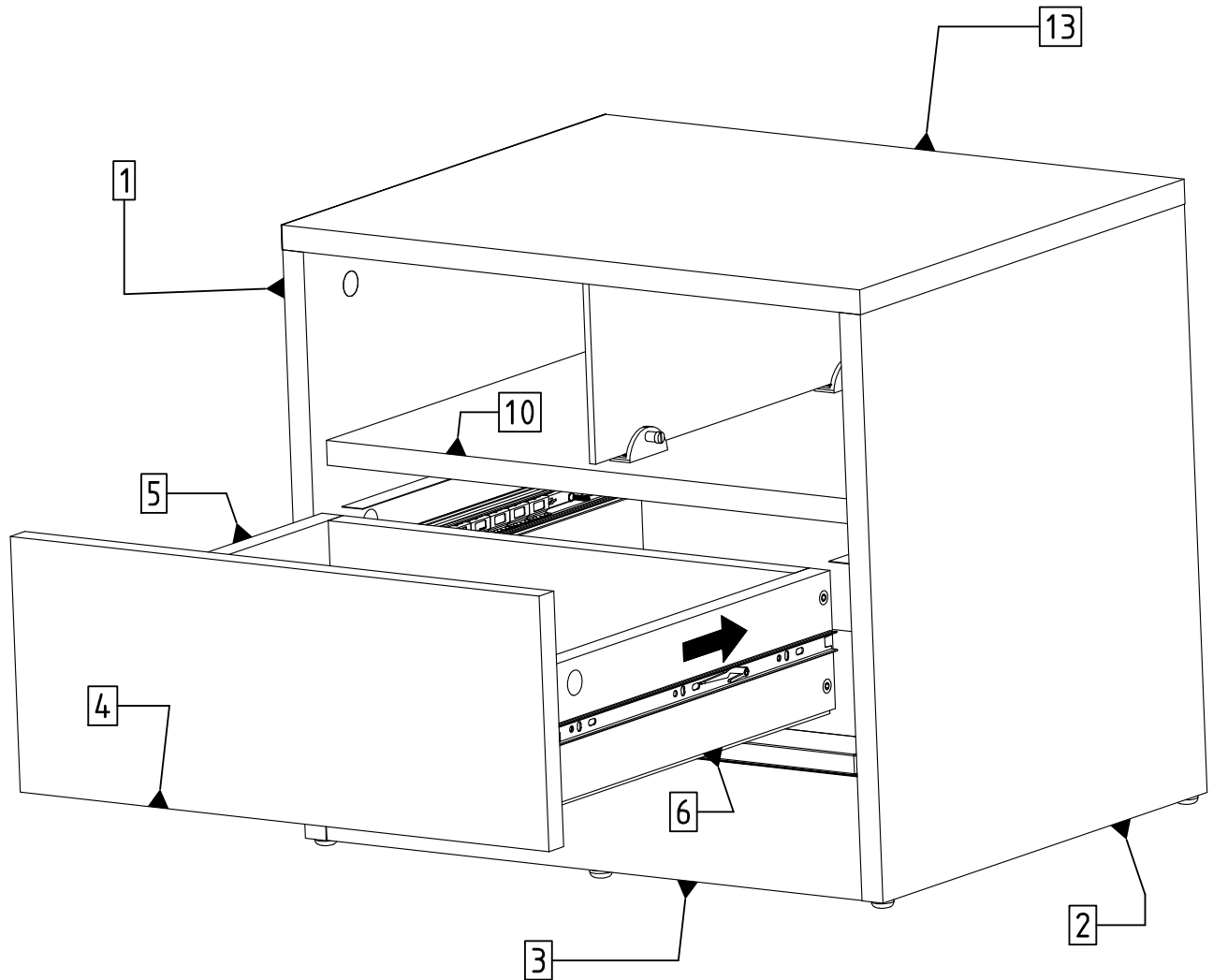
14.



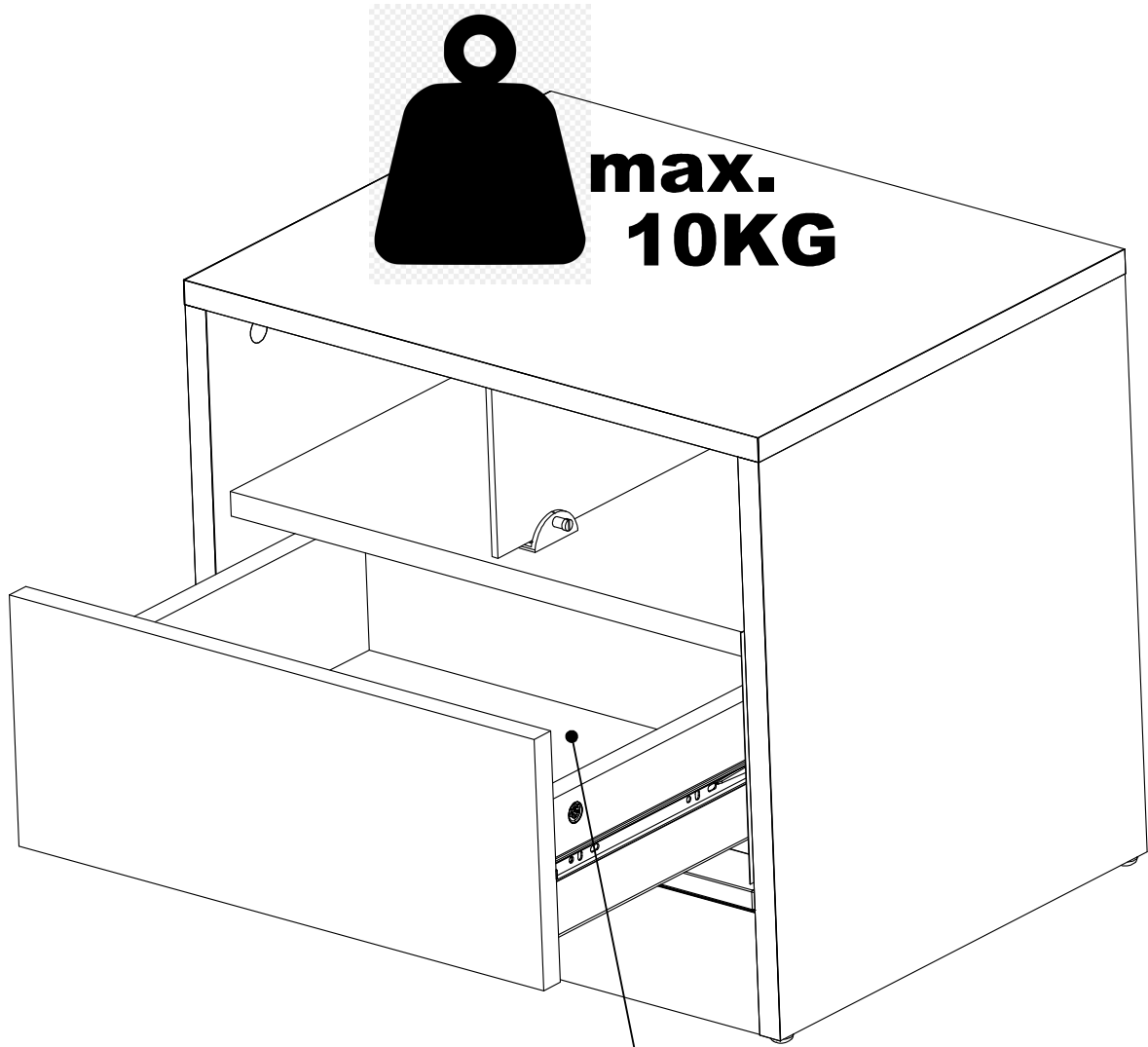
15.



16.



17.



**max.
10KG**

**max.
5kg**

