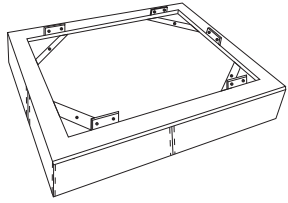
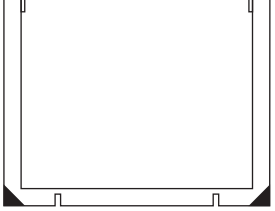








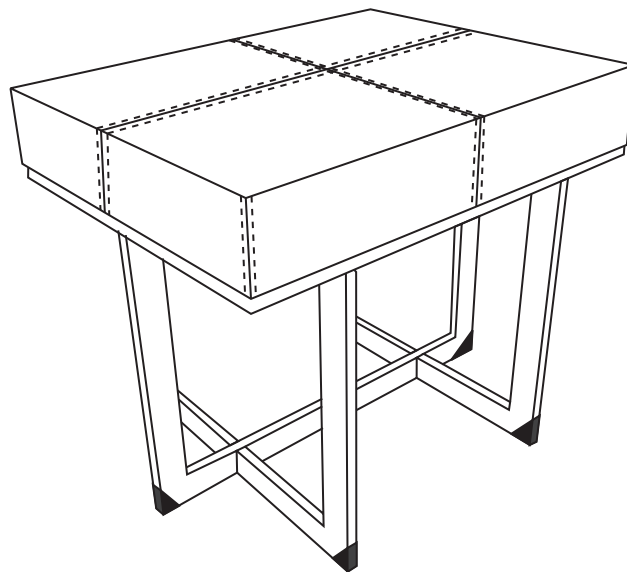
Assembly Instructions

Calvin Stool Chestnut

53001936

Parts and Tools

A	53001936-A Stool Top with seat						X1	<p>Before beginning</p> <p>1) Carefully unpack and position the item on a clean, non-marring surface to assemble.</p> <p>2) Read this Assembly Instructions from beginning to end before starting to assemble.</p> <p>3) Take an inventory of the required parts to ensure all are available.</p> <p>4) To prevent accidental choking hazards, keep all packing materials away from small children.</p> <p>5) Only tighten hardware until ALL hardware are fully engaged on their locations. Overtighten bolts will damage the bolt threads.</p> <p>6) Use only factory provided hardware to assemble. Unapproved hardware can damage product or jeopardize the structural integrity of the product.</p> <p>7) The use of power tool to assemble is not recommended due to high risk of over-torque, which can damage the product.</p>
B	53001936-B Middle Leg						X1	
C	53001936-C Side Leg						X2	
Z	<p>Z1</p>  <p>18 X 6 MM X 12</p>	<p>Z2</p>  <p>12 X 2 MM X 12</p>	<p>Z3</p>  <p>16 X 2 MM X 12</p>	<p>Z4</p>  <p>2.5" X 4 MM x 1</p>	<p>Z5</p>  <p>40 X 15 MM x 6</p>			



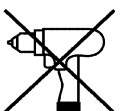
ASSEMBLY REQUIRES
TWO PEOPLE



15 MINUTE
ASSEMBLY TIME



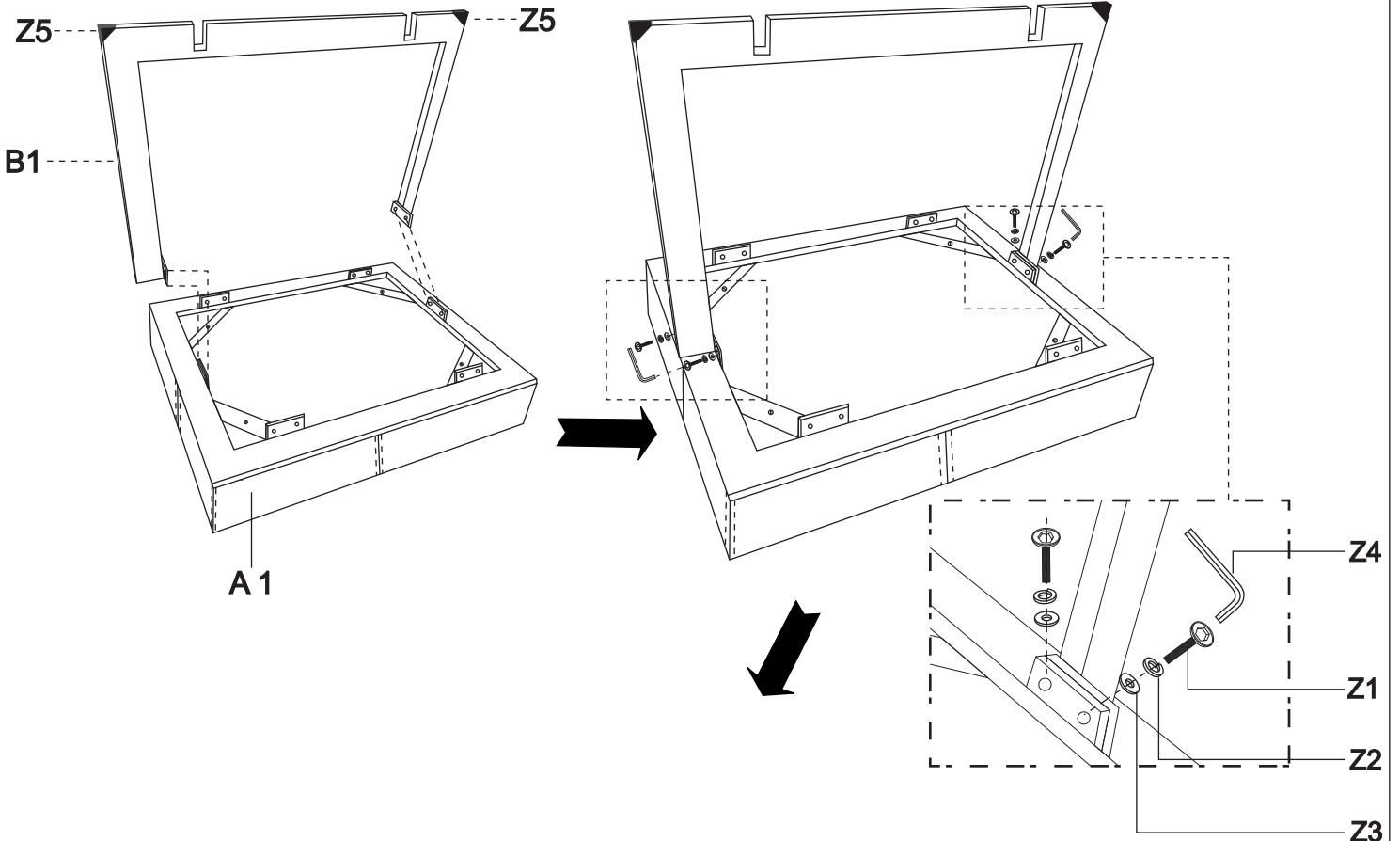
KEEP INSTRUCTIONS
FOR FUTURE USE



1

Assembly Instructions

Calvin Stool Chestnut
53001936



2

