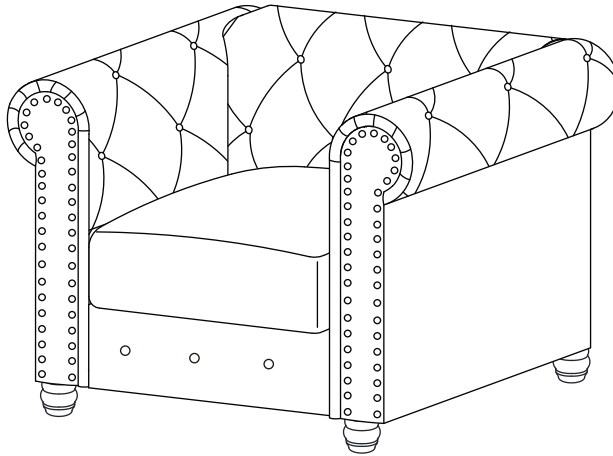


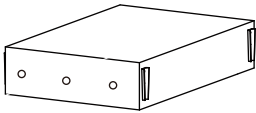
ASSEMBLY INSTRUCTIONS

CHAIR



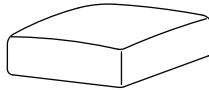
PARTS

#1 1pc



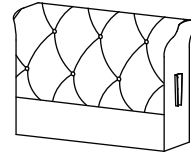
SEAT FRAME

#2 1pc



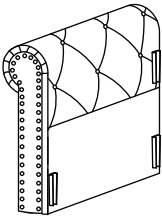
SEAT CUSHION

#3 1pc



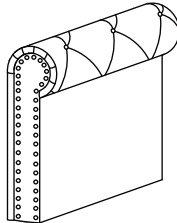
BACKREST

#4 1pc



LEFT ARM

#5 1pc



RIGHT ARM

HARDWARE

#A 4 pcs



WOODEN LEG

ASSEMBLY INSTRUCTIONS

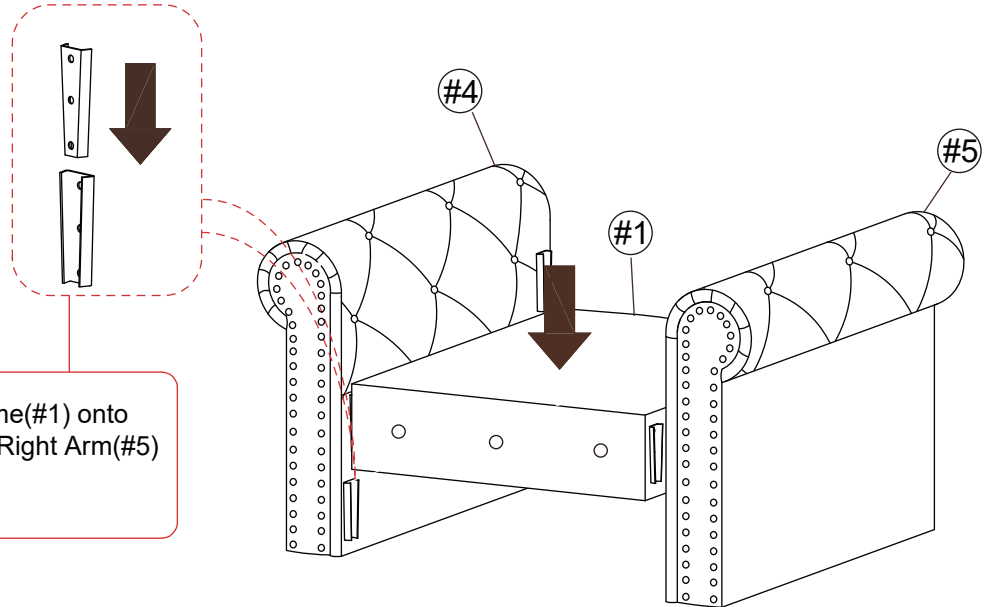
1

Part #1 x1pc

Part #4 x1pc

Part #5 x1pc

Hook the Seat Frame(#1) onto the Left Arm(#4) & Right Arm(#5) properly.



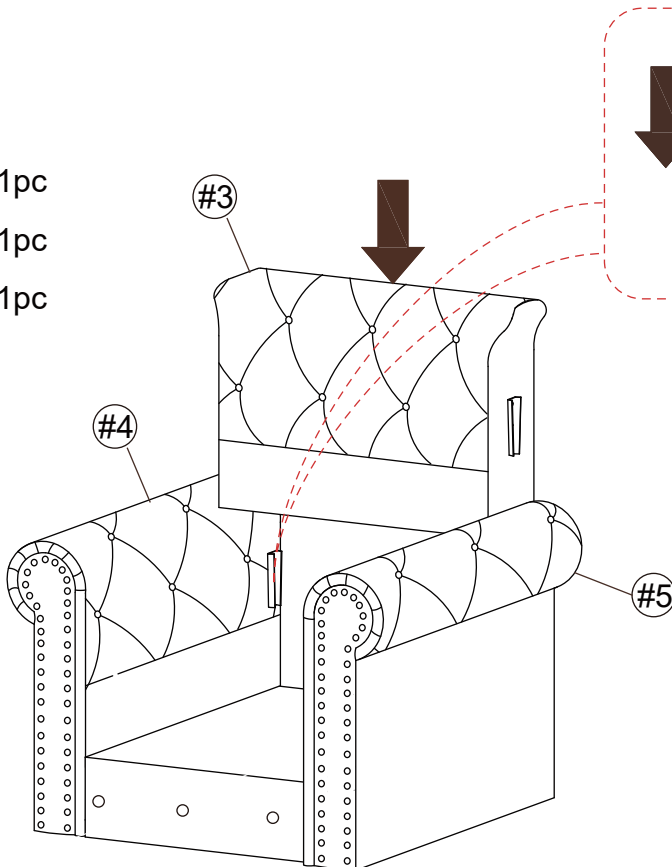
2

Part #3 x1pc

Part #4 x1pc

Part #5 x1pc

Hook the Backrest (#3) onto the Left Arm(#4) & Right Arm(#5) properly.



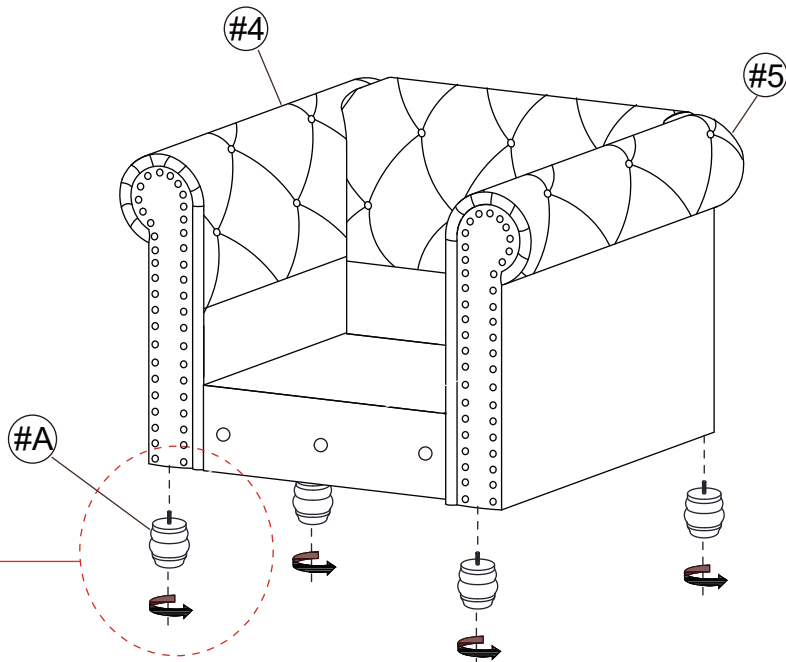
ASSEMBLY INSTRUCTIONS

3

Part #4 x1pc

Part #5 x1pc

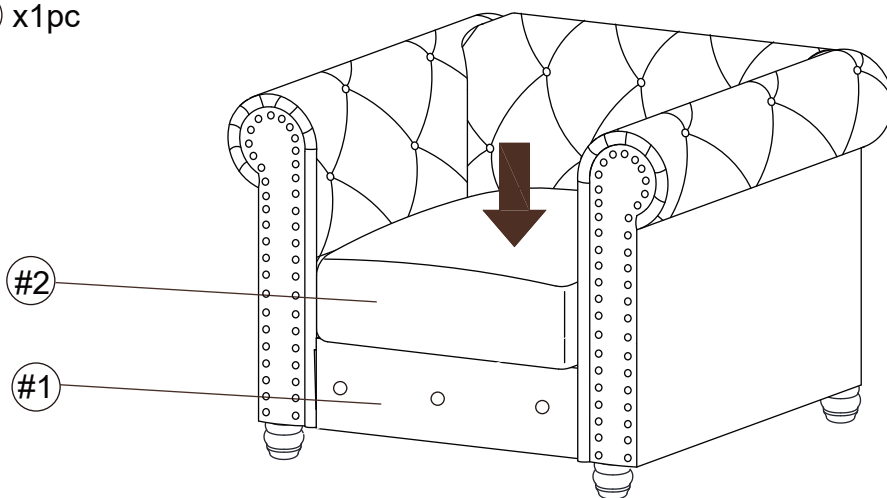
Hardware #A x4pcs



Align the Wooden Leg(#A) to Left Arm(#4) & Right Arm(#5) to the pre-drilled holes, then tighten the Wooden Leg(#A).

4

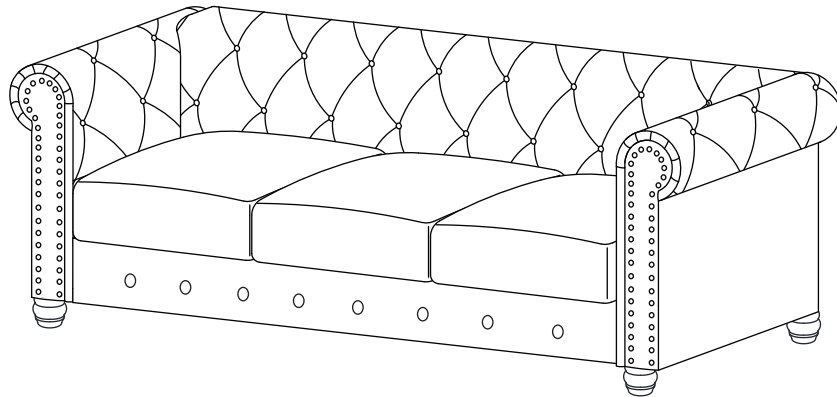
Part #2 x1pc



Put the Seat Cushion(#2) on Seat Frame(#1)

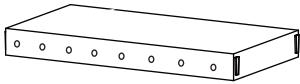
ASSEMBLY INSTRUCTIONS

SOFA



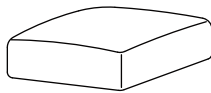
PARTS

#1 1pc



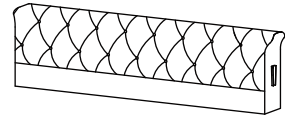
SEAT FRAME

#2 3pcs



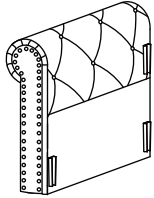
SEAT CUSHION

#3 1pc



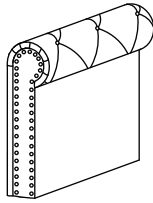
BACKREST

#4 1pc



LEFT ARM

#5 1pc



RIGHT ARM

HARDWARE

#A 4 pcs



WOODEN LEG

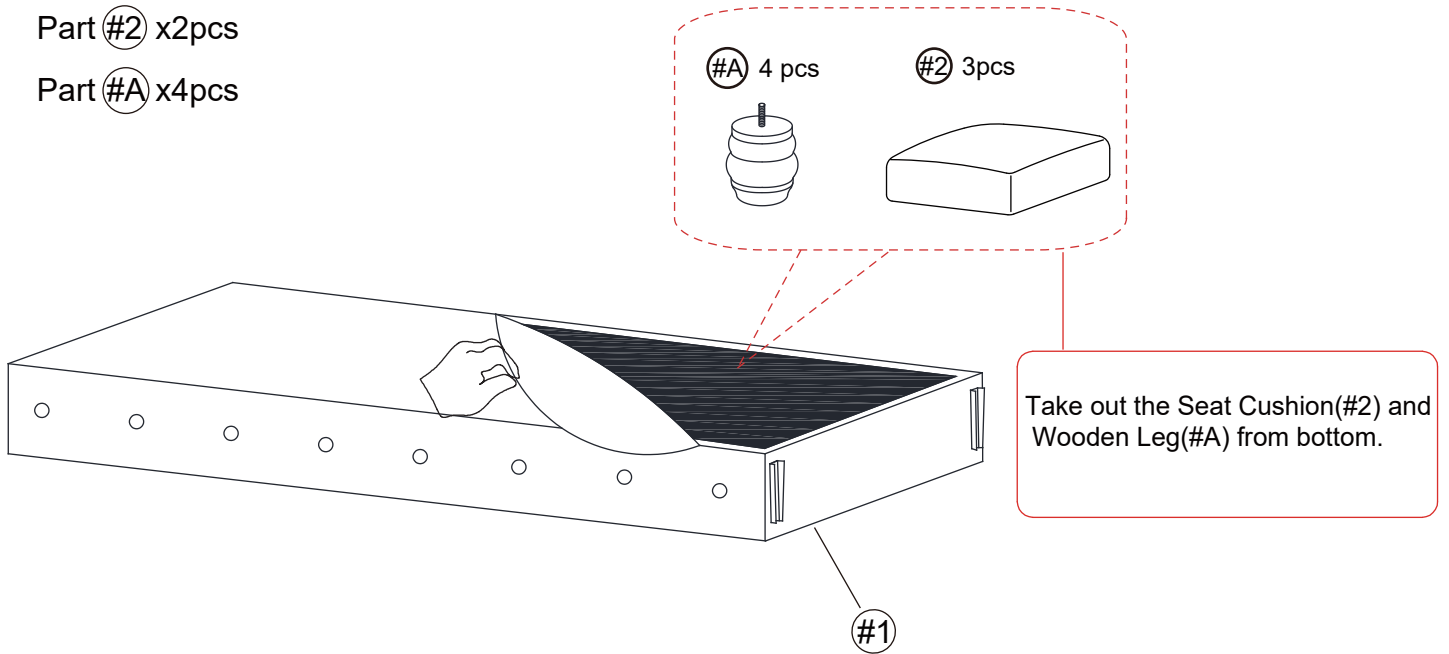
ASSEMBLY INSTRUCTIONS

1

Part #1 x1pc

Part #2 x2pcs

Part #A x4pcs

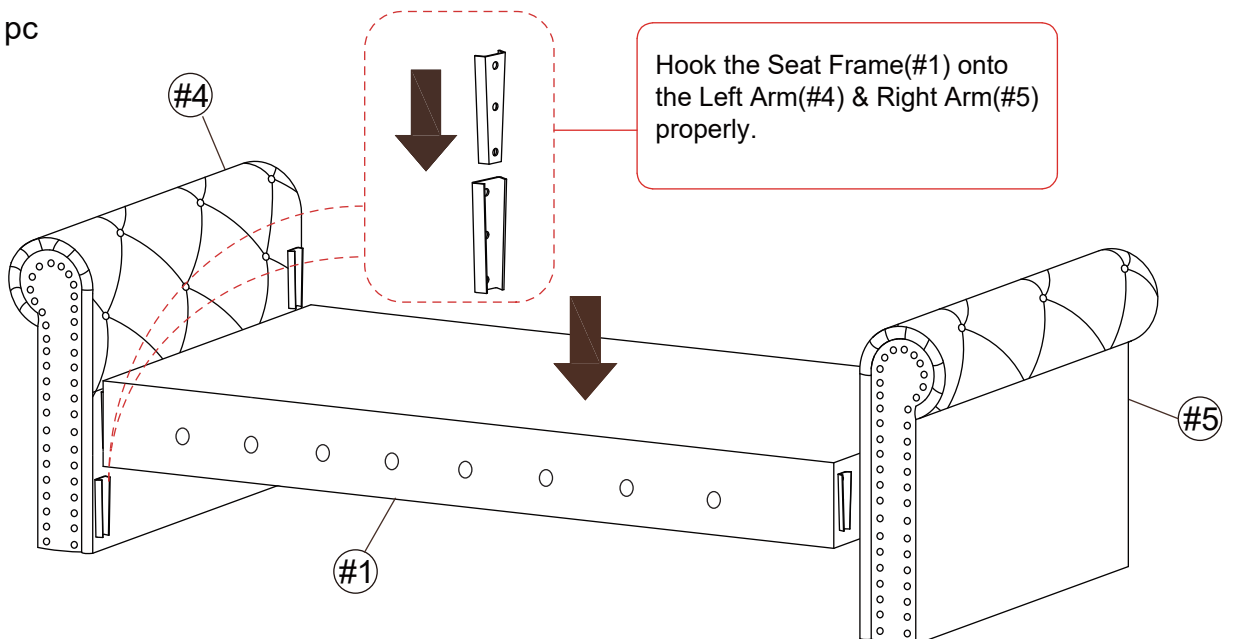


2

Part #1 x1pc

Part #4 x1pc

Part #5 x1pc



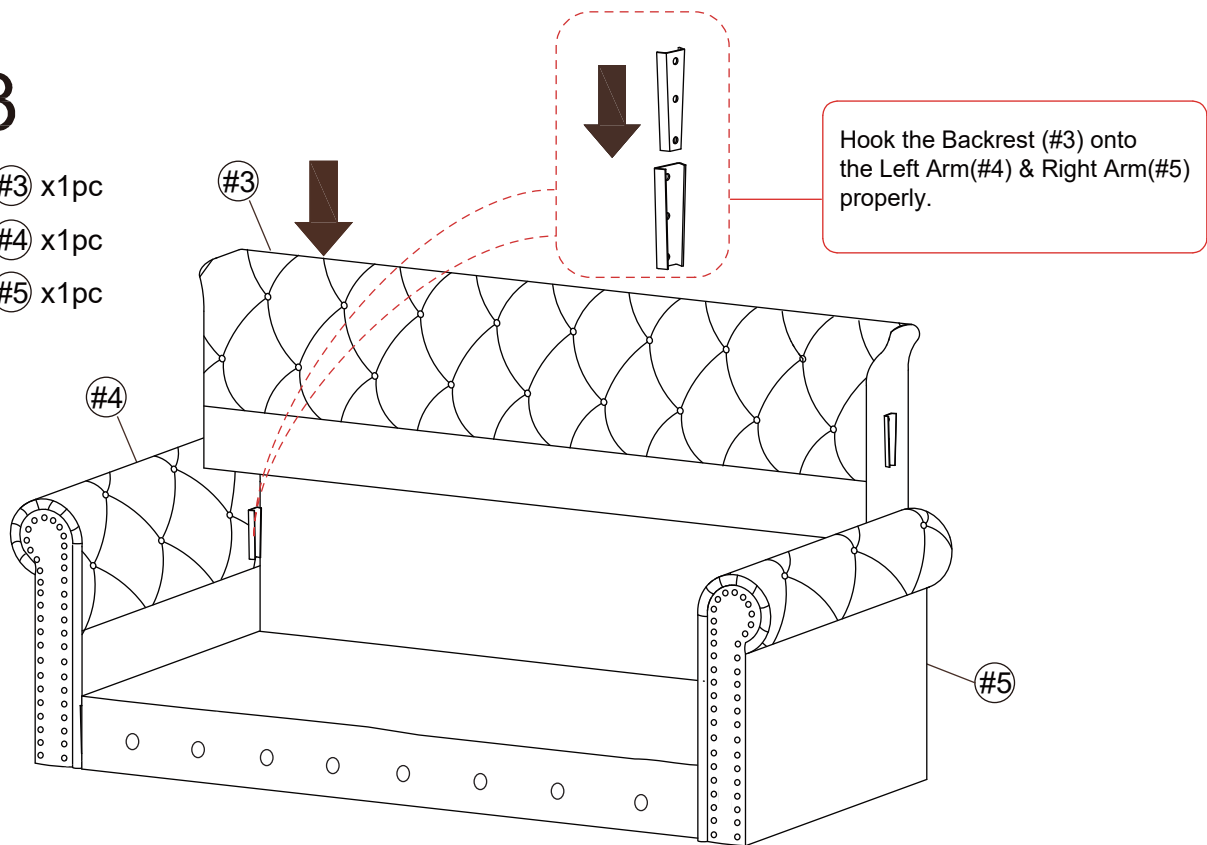
ASSEMBLY INSTRUCTIONS

3

Part #3 x1pc

Part #4 x1pc

Part #5 x1pc

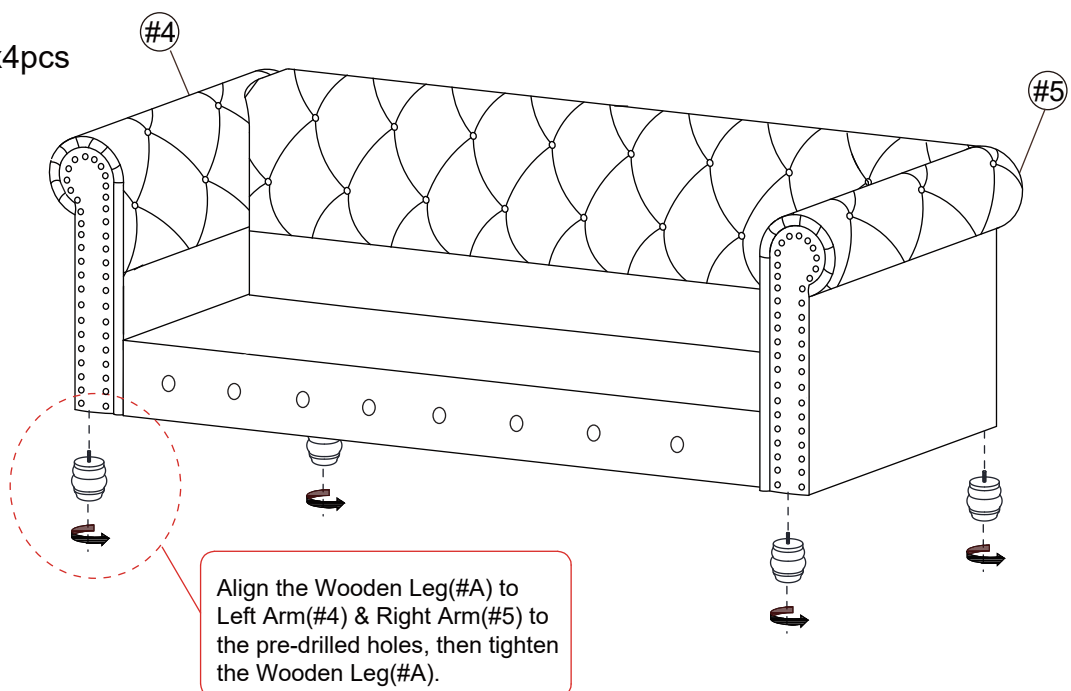


4

Part #4 x1pc

Part #5 x1pc

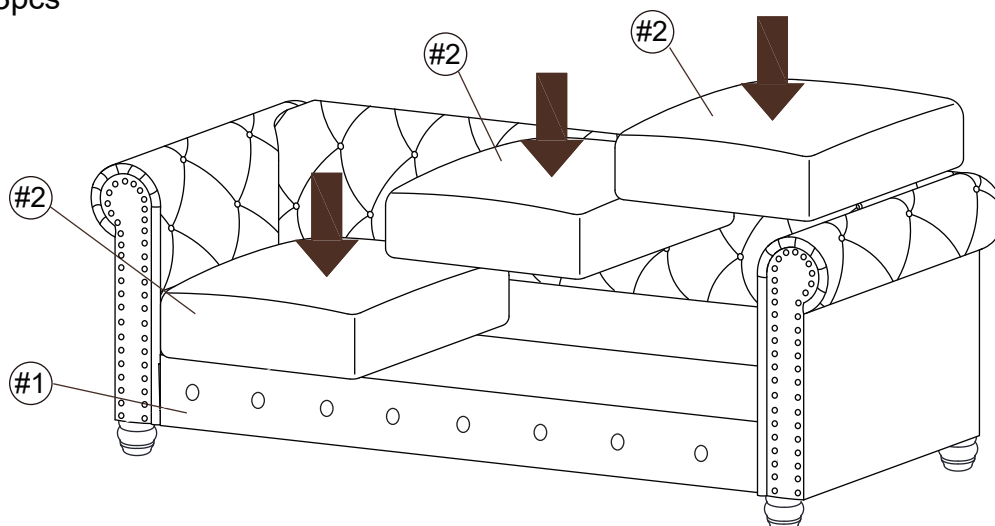
Hardware #A x4pcs



ASSEMBLY INSTRUCTIONS

5

Part #2 x3pcs



Put the Seat Cushion(#2)
on Seat Frame(#1)