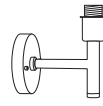


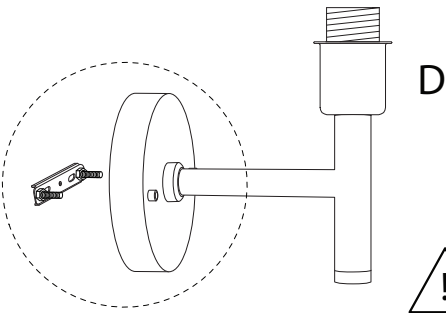
A	B	C	D	E	F
x 1	x 1	x 1	x 1	x 2	x 2

1

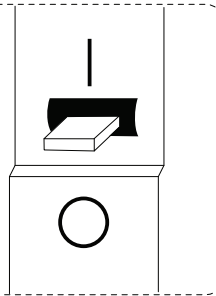
D



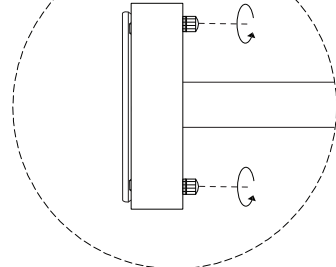
x 1



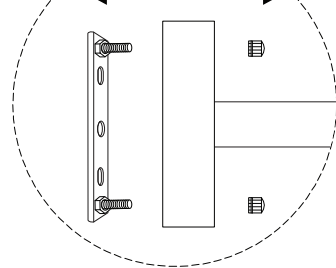
OFF



1a

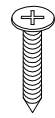


1b



2

E

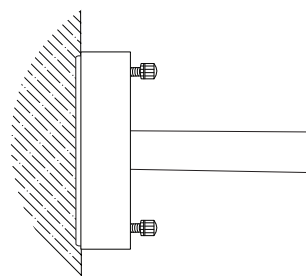
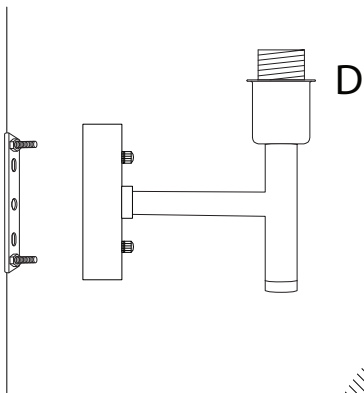


x 2

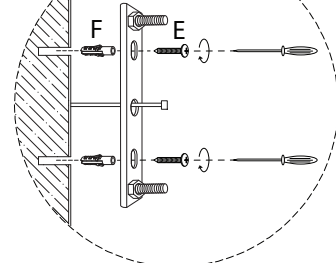
F



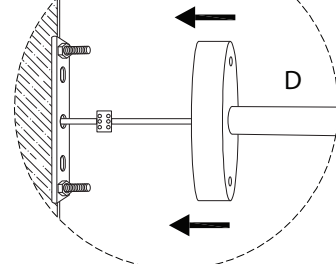
x 2



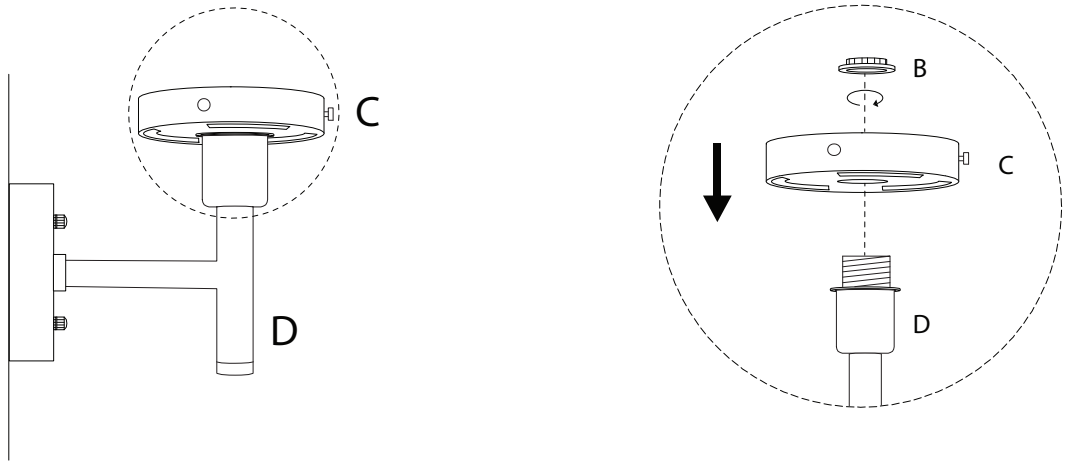
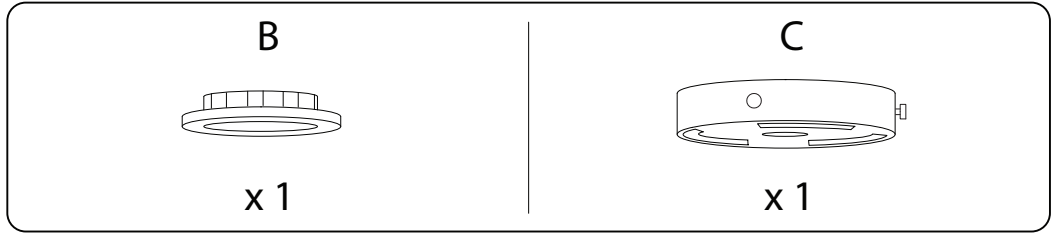
1a



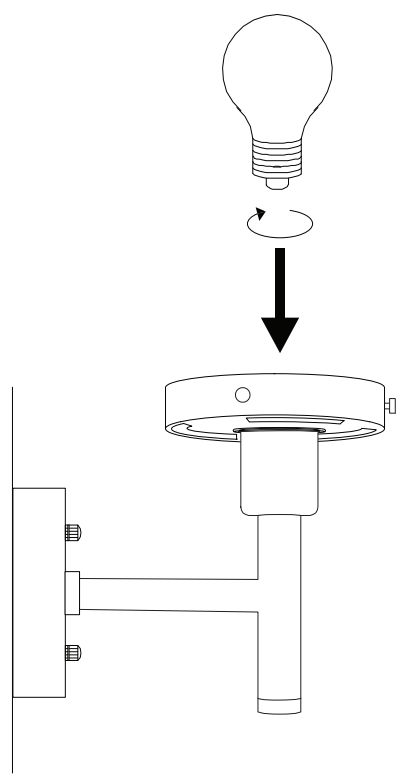
1b



3



4



5

