

**H3L**

# TABLE OF CONTENTS

---

01 Important Safety Instructions

01 Tools Needed

---

02 Parts List

03 Assembly

---

14 Warranty Information

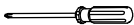
---

## IMPORTANT SAFETY INSTRUCTIONS

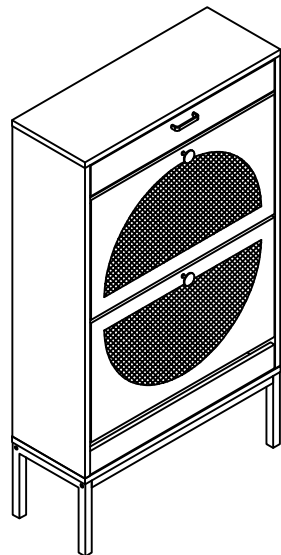
- Check if all the parts are complete before installation.
- Read through the instructions before installing the cabinet.
- Keep the small parts away from children to avoid the risk of swallowing.
- Screw the cabinet to the wall to avoid the risk of falling down.

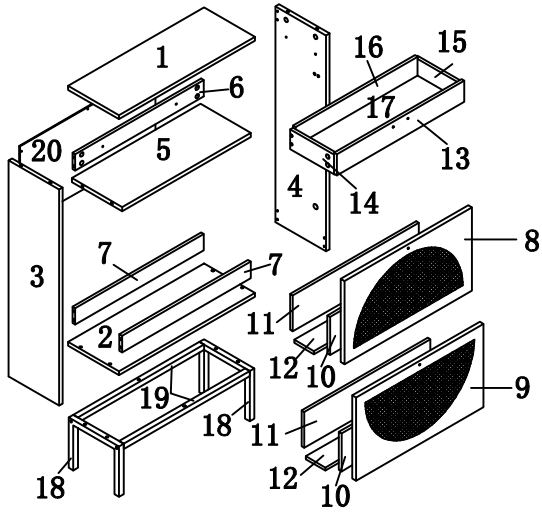
## TOOLS NEEDED

Screws Driver -1PC



( Not included)



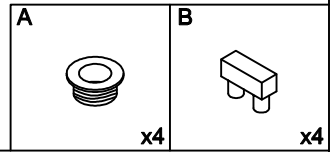
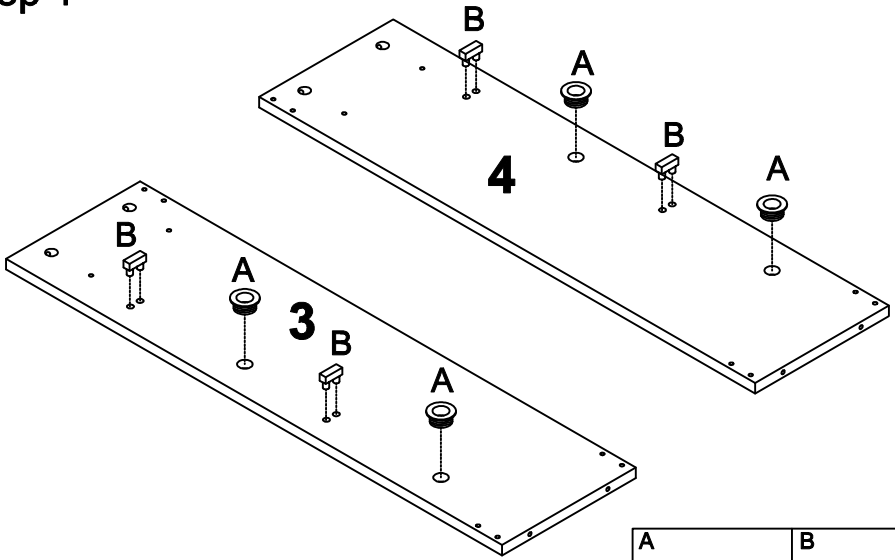


## Parts List

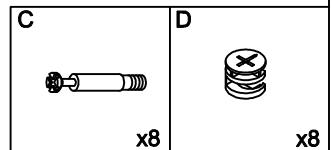
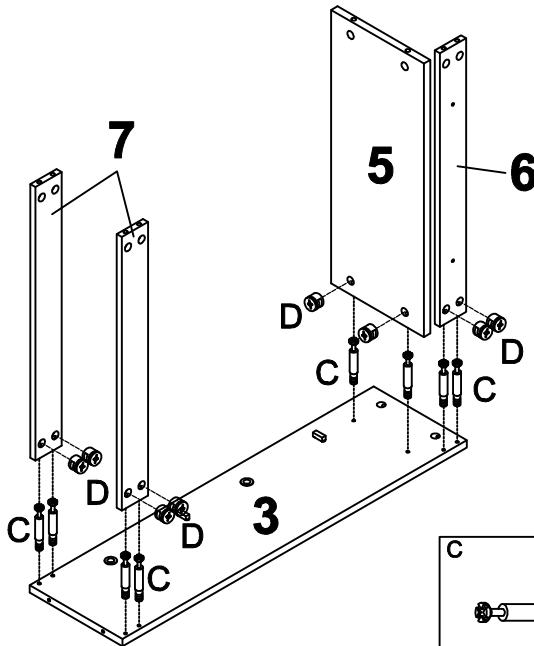
1  x1	2  x1	3  x1	4  x1	5  x1
6  x1	7  x2	8  x1	9  x1	10  x2
11  x2	12  x2	13  x1	14  x1	15  x1
16  x1	17  x1	18  x2	19  x2	20  x1

A  x4	B  x4	C  x24	D  x24	E M3.5x14  x34	F  x1	G M7x50  x4
H M6x35  x4	I M6x30  x6	J  x4	K  x2	L  x2	M  x2	N  x2
O  x4	P  x2	Q M3.5x40  x6	R  x1	S  x2	T  x1	

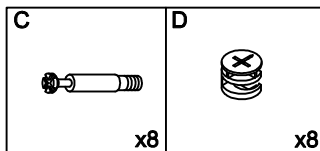
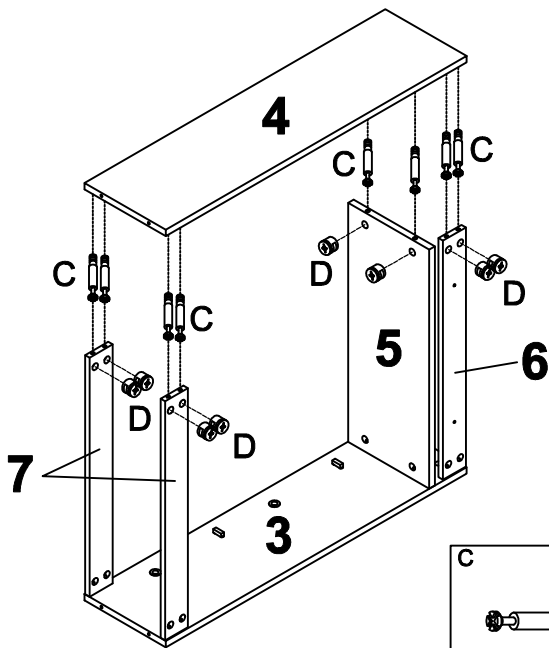
# Step 1



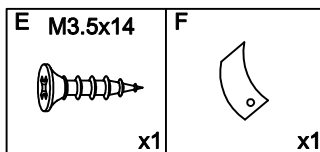
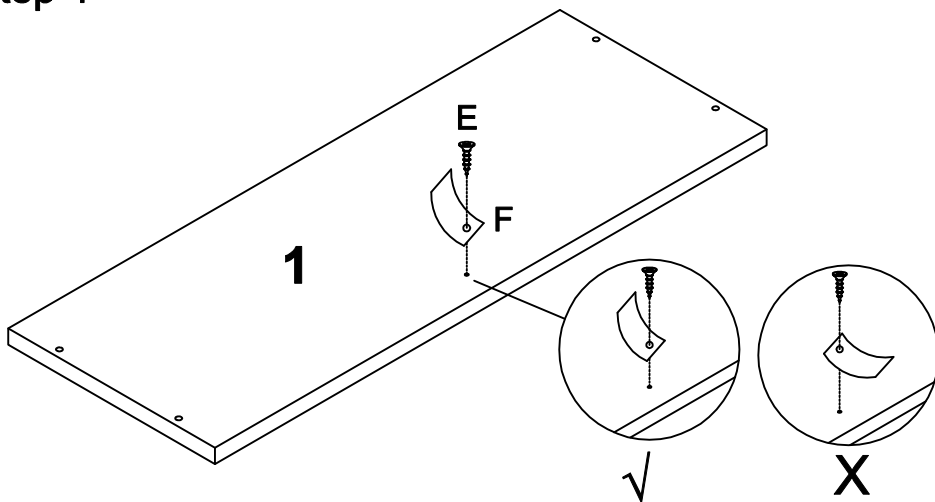
# Step 2



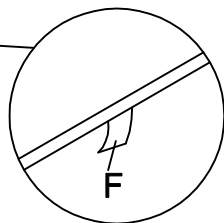
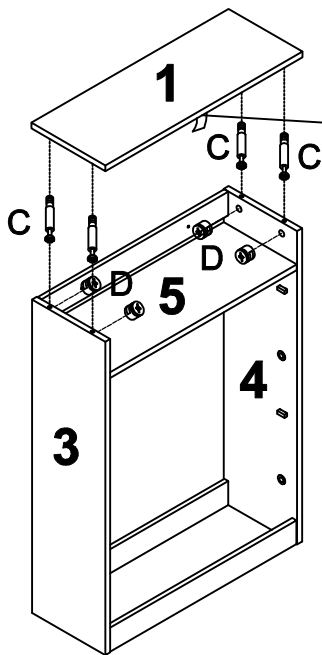
# Step 3



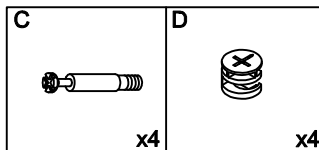
# Step 4



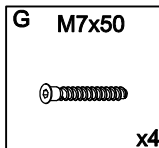
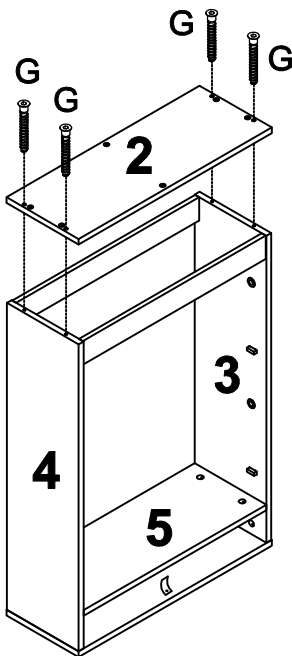
# Step 5



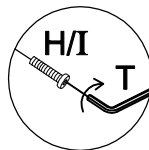
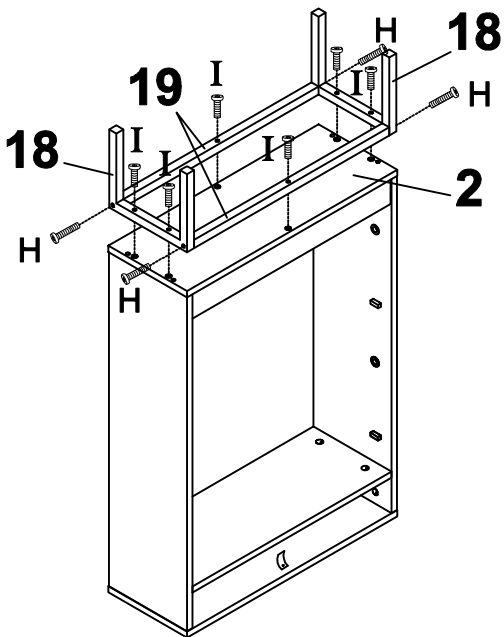
The F part should be assembled on the front .

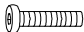
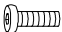


# Step 6

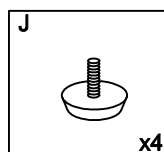
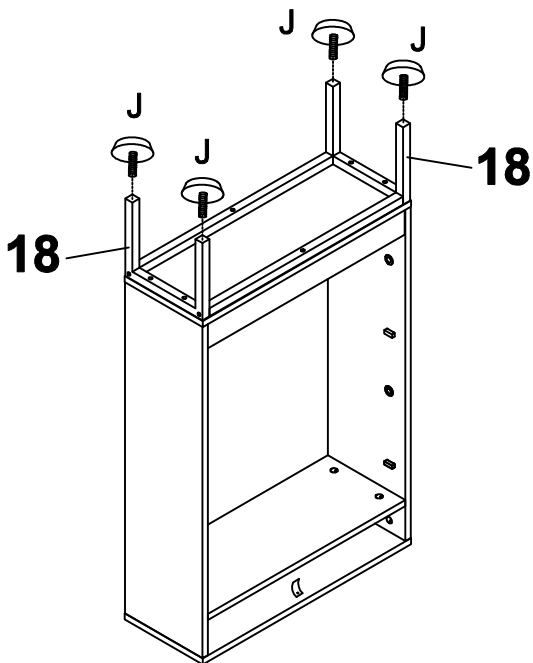


# Step 7

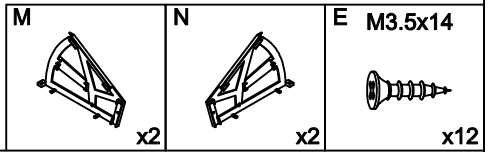
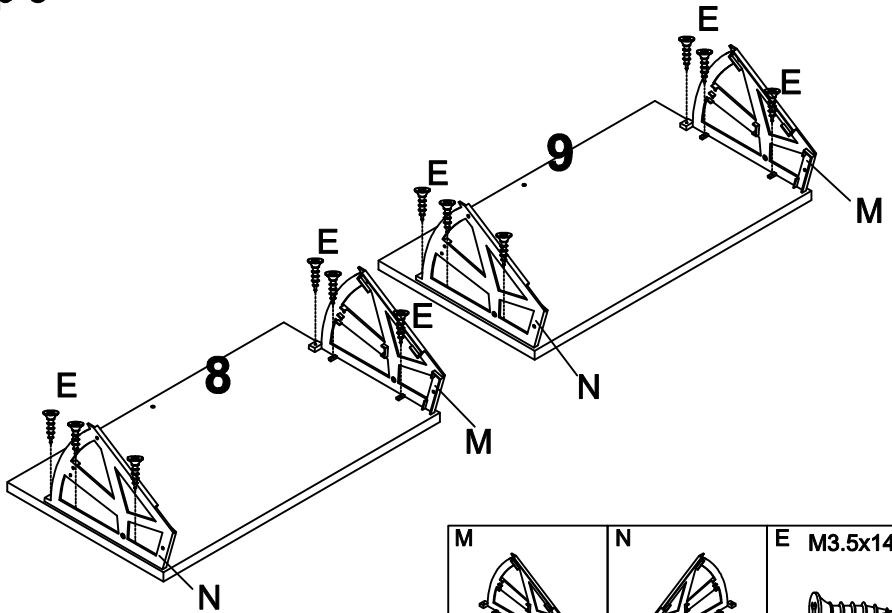


H M6x35	I M6x30
	
x4	x6

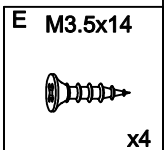
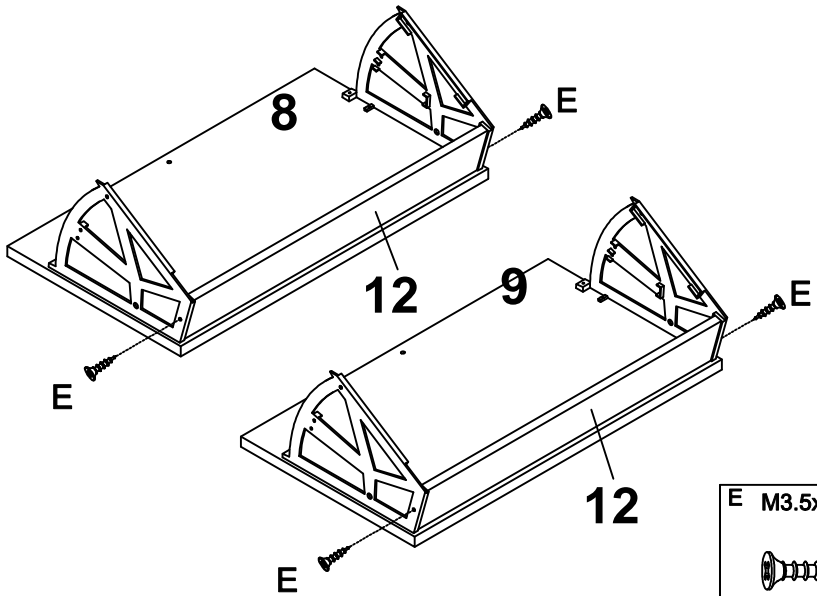
# Step 8



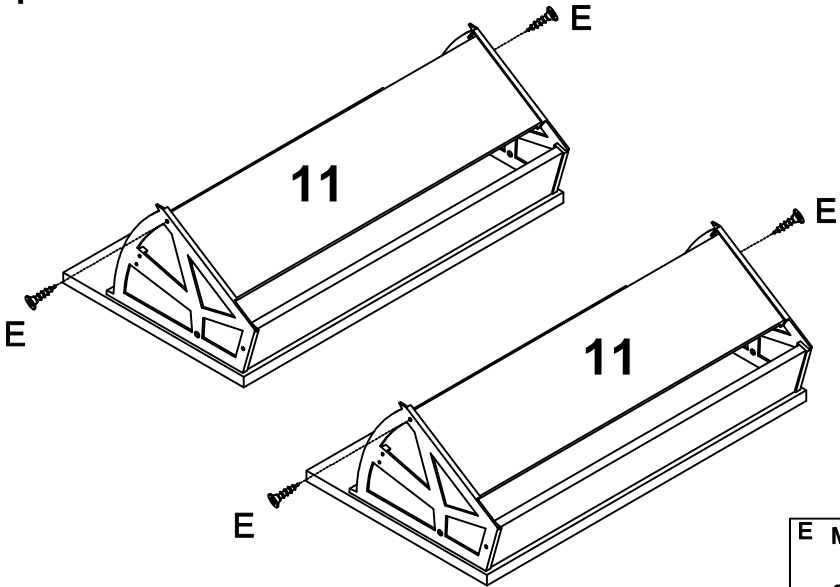
# Step 9



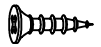
# Step 10



# Step 11

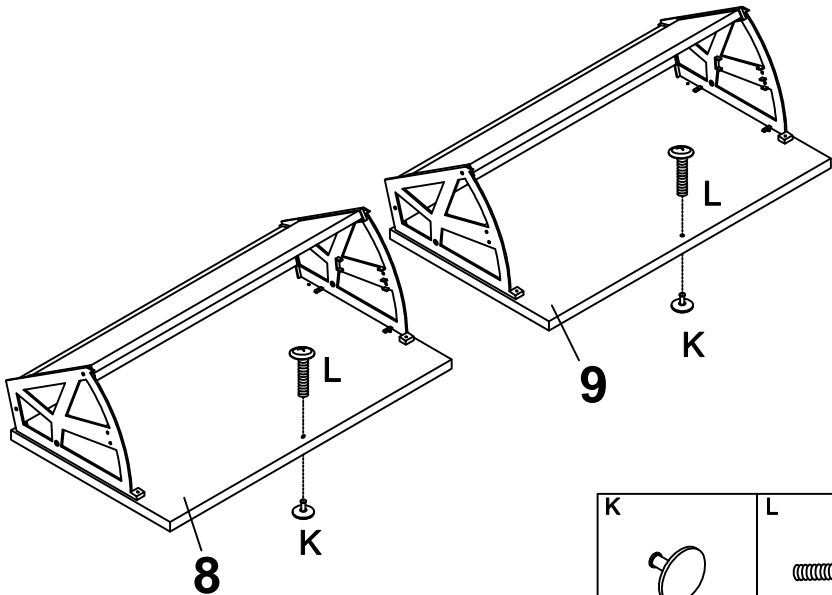


E M3.5x14



x4

# Step 12



K



x2

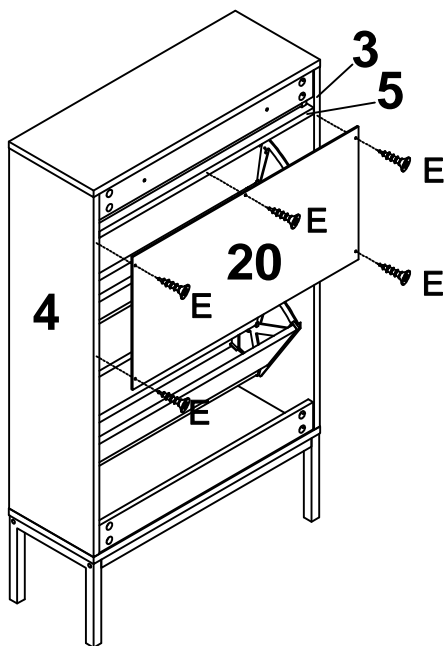
L



x2



# Step 15

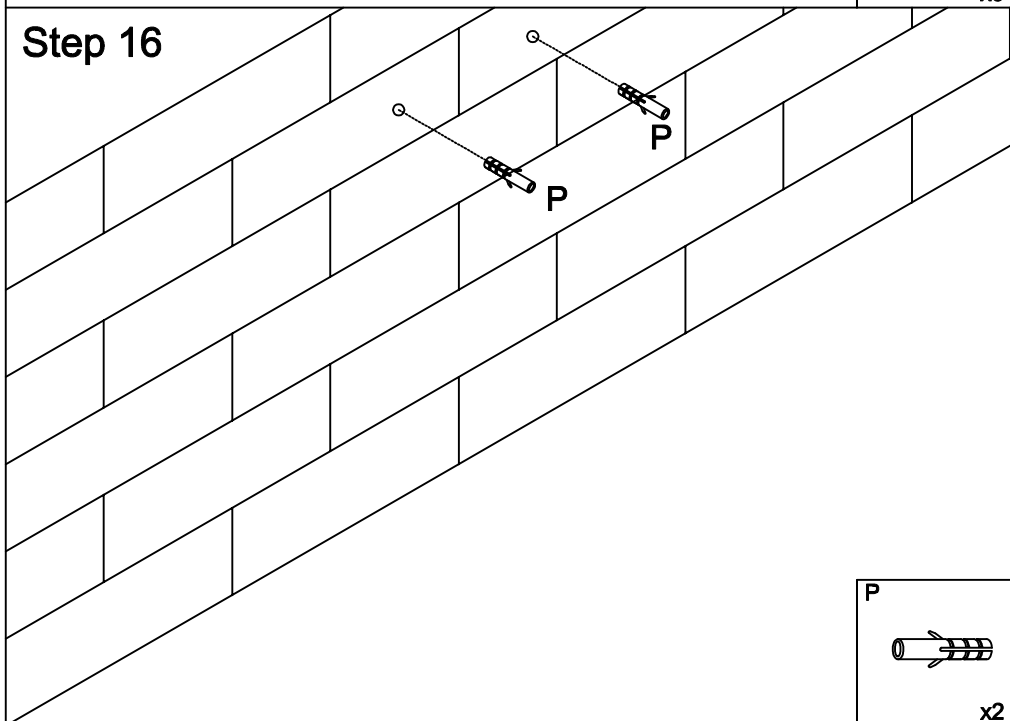


E M3.5x14



x5

# Step 16

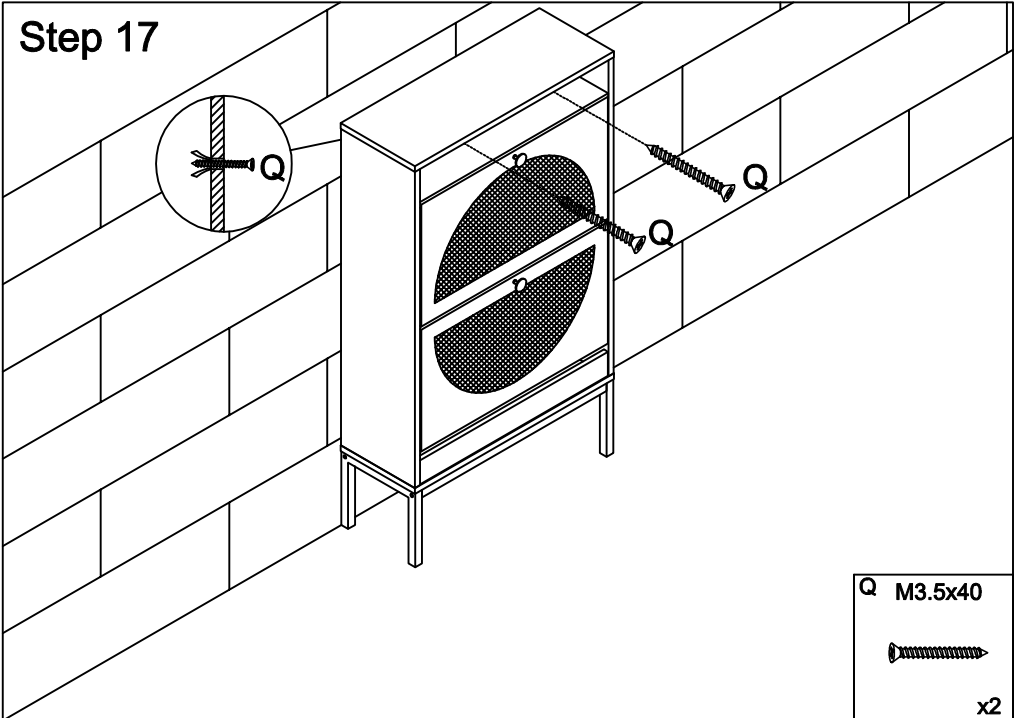


P

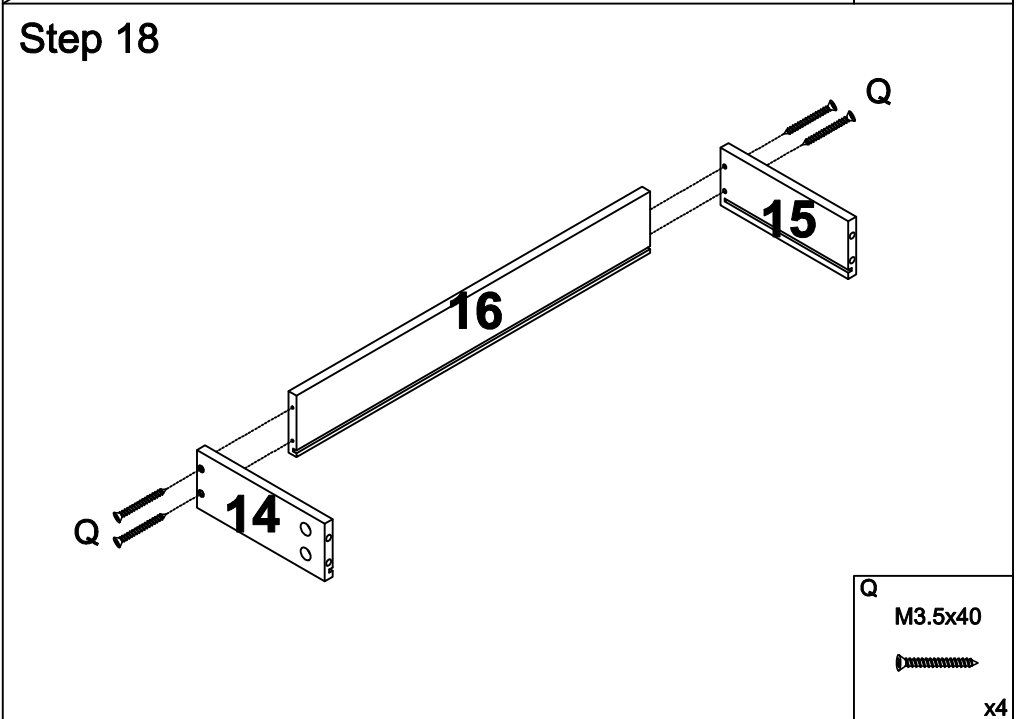


x2

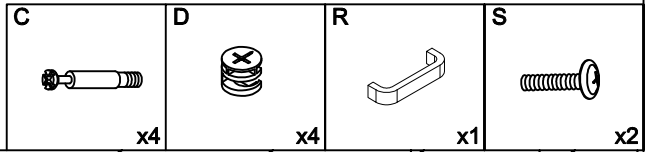
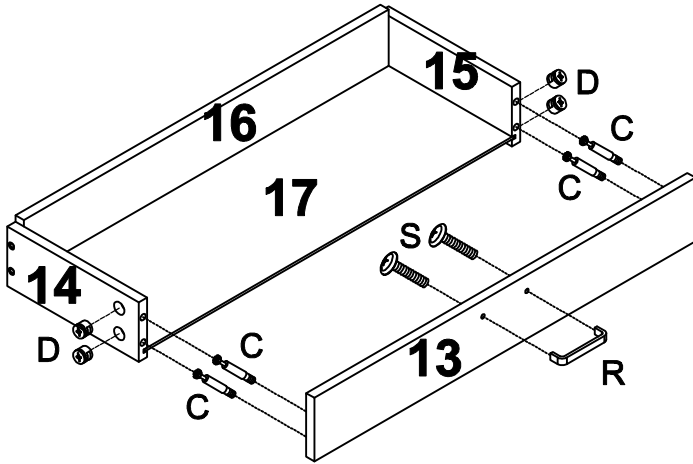
# Step 17



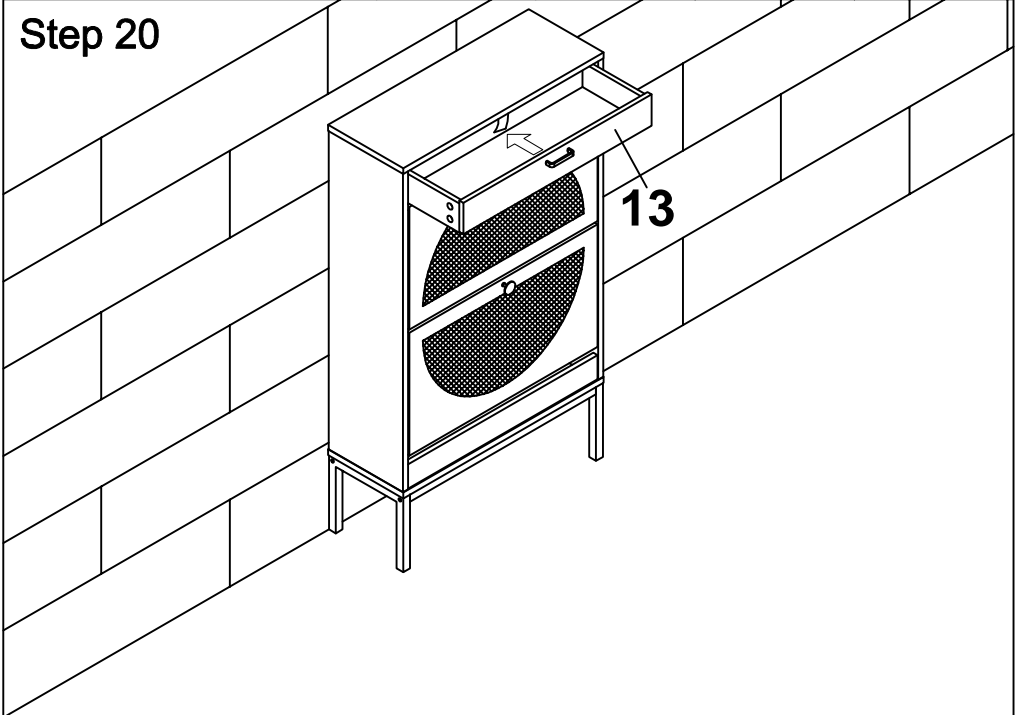
# Step 18



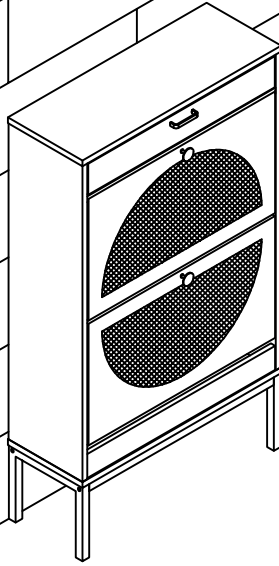
# Step 19



# Step 20



**Finish !!!**



## WARRANTY INFORMATION

- Do not expose the surfaces to direct sunlight or to extreme environmental conditions.
- Clean the surfaces preferable with a clean damp cloth, then dry with a clean towel.
- Do not use solvents or abrasive materials to clean the unit. If you decide to use a cleaning agent, test first on an area hidden from view.
- Replacement parts might be available to you at no charge, with an original proof of purchase and where a defect has arisen, wholly or substantially, as a result of faulty manufacturing, parts or workmanship during the Warranty Period.
- The warranty does not extend to regular wear and tear, nor the manufacturer assumes liability for damages or consequences due to accidents, incorrect assembly, negligence, improper use, modifications, or not heeding the above warnings.
- Thank you so much for your support! We hope you enjoy your purchase. If there is any damage or missing accessories, please feel free to contact us for free replacement or refund. You can quickly find us through this email: **service7770@outlook.com** with your order number, we will try our best to solve this problem for you !

Thank you !

