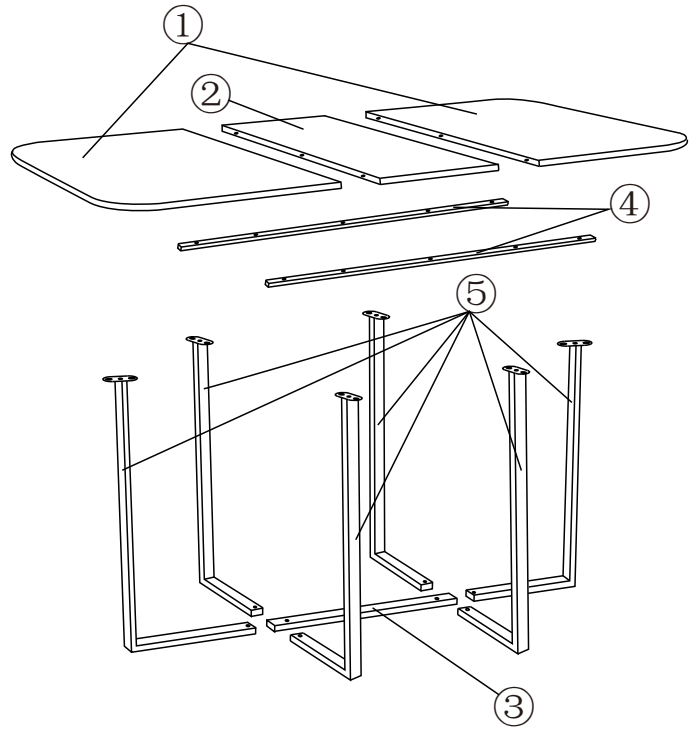
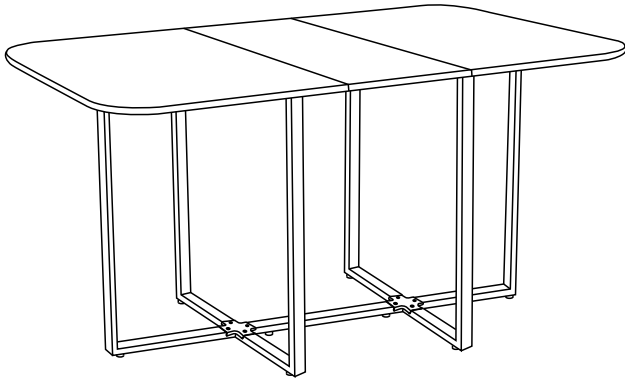
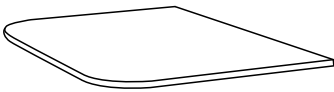


ASSEMBLY INSTRUCTIONS

DT-PS-101-150100

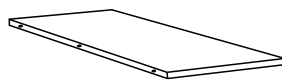


①



x2

②



x1

③



x1

④



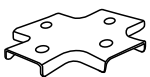
x2

⑤



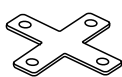
x6

A



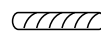
x2

B



x2

C



x6

D



6*35mm

x10

E



6*16mm

x12

F



6*10mm

x16

G



6*18mm

x22

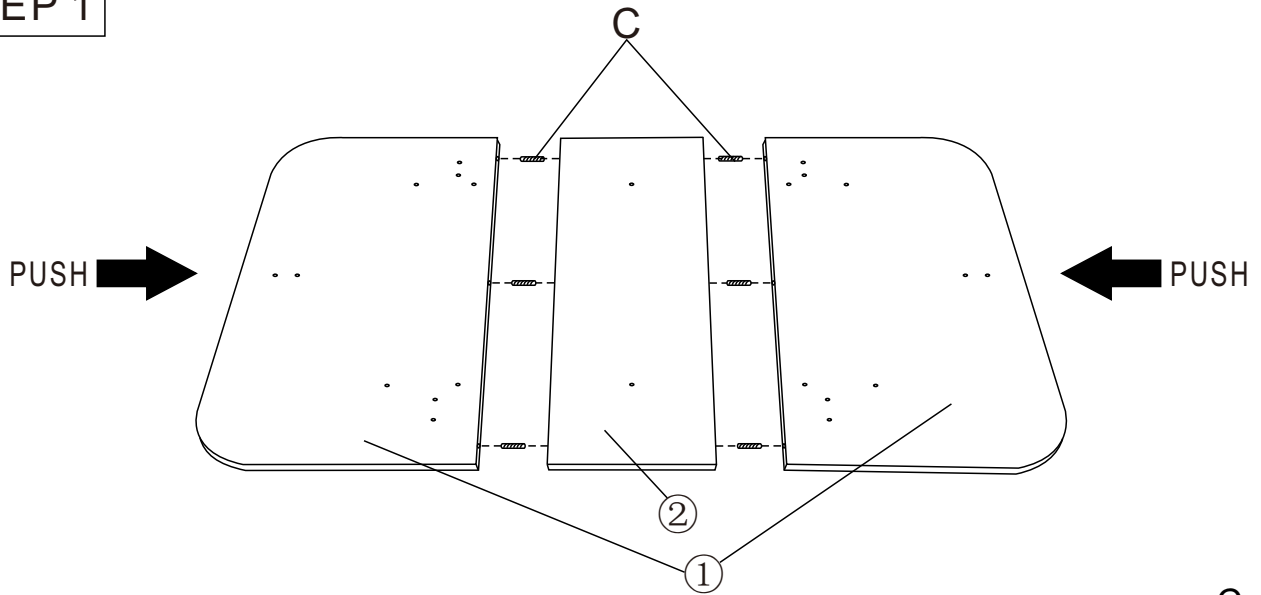
H



M5

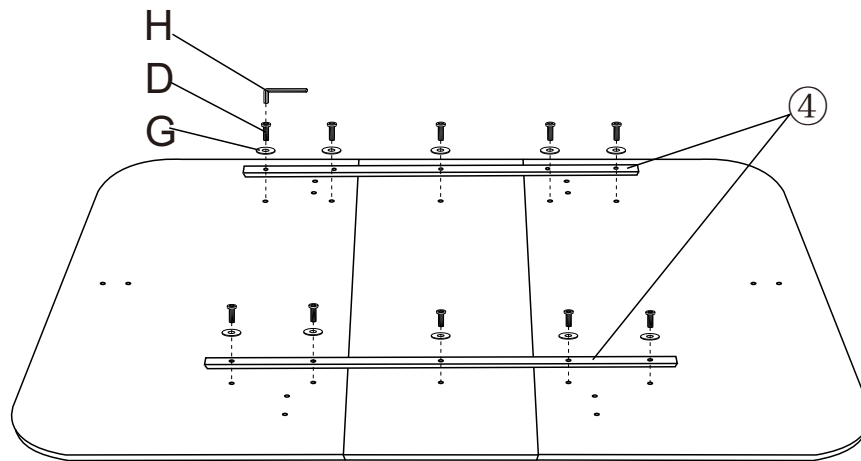
x1

STEP 1



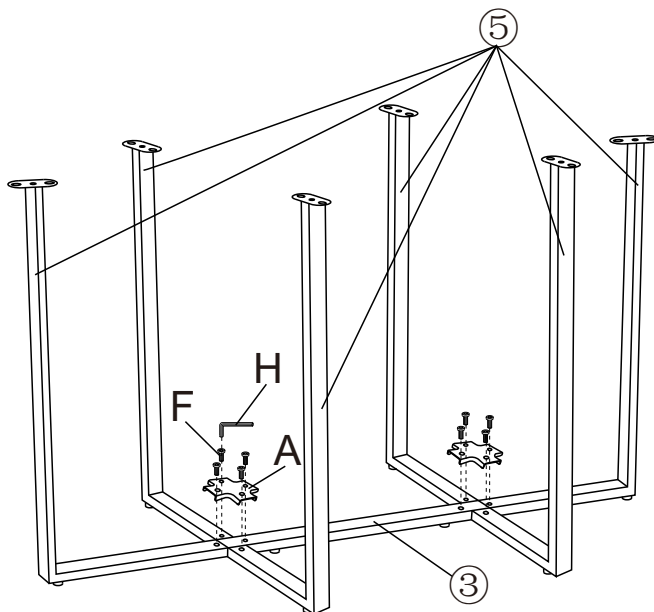
Cx6

STEP 2



Dx10
Gx10
Hx1

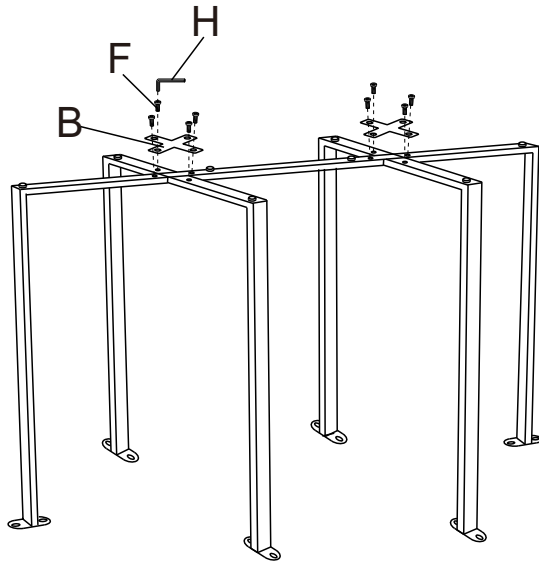
STEP 3



Tighten the screw to 80%.

Ax2
Fx8
Hx1

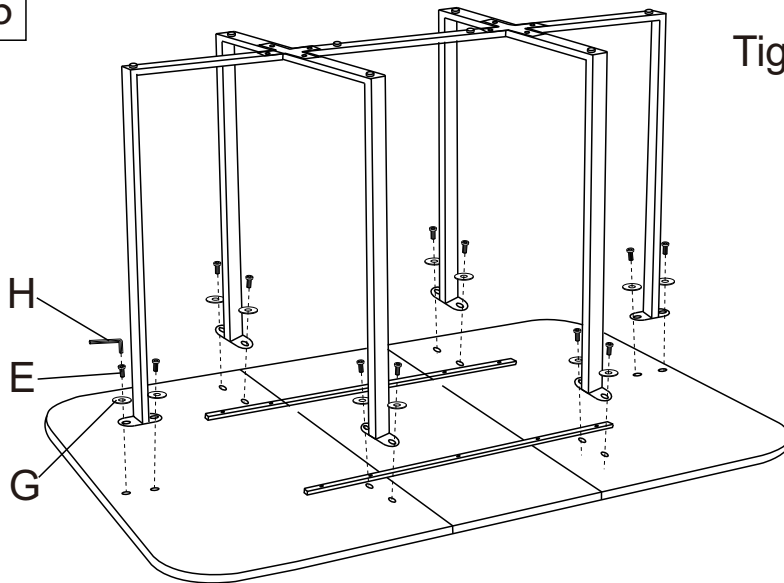
STEP 4



Tighten the screw to 80%.

Bx2
Fx8
Hx1

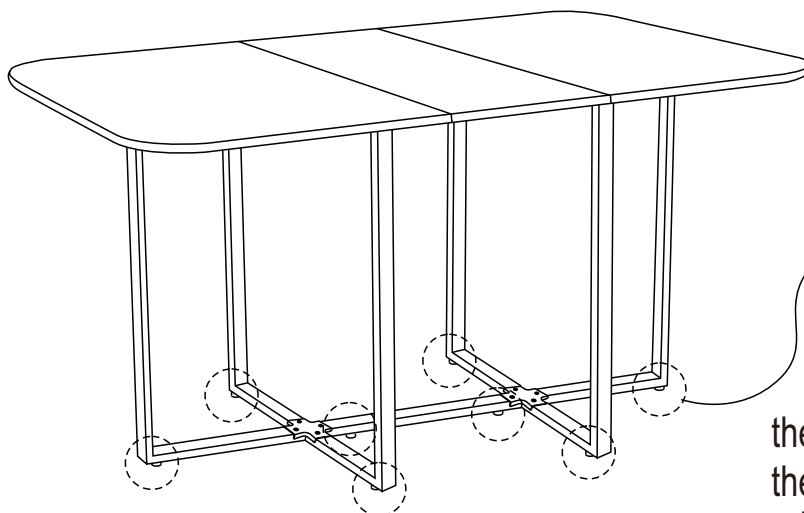
STEP 5



Tighten all screws to 100%.

Ex12
Gx12
Hx1

STEP 6



the table is with adjustable feet, if the table is not stable, please adjust the feet.

【Kindly Remember】

If the products you receive in this package are not all of the items you purchased, please be patient. The rest of the products will be delivered by other packages.

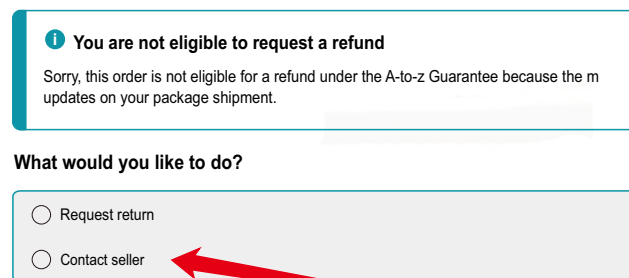
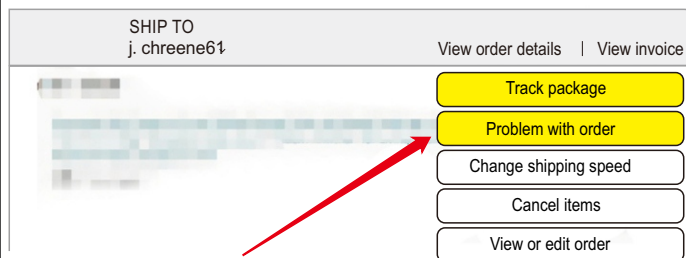
If you would like to know where the rest of the package has arrived, please contact us through Amazon. We will get back to you within 12 hours.



You can contact us in the following ways:

1. Find your order in the list and Select **【Problem with order】**.

2. Choose your topic from list displayed and Select **【Contact seller】**.



3. We will get back to you immediately as soon as we receive your message.



Location of Hardware Package