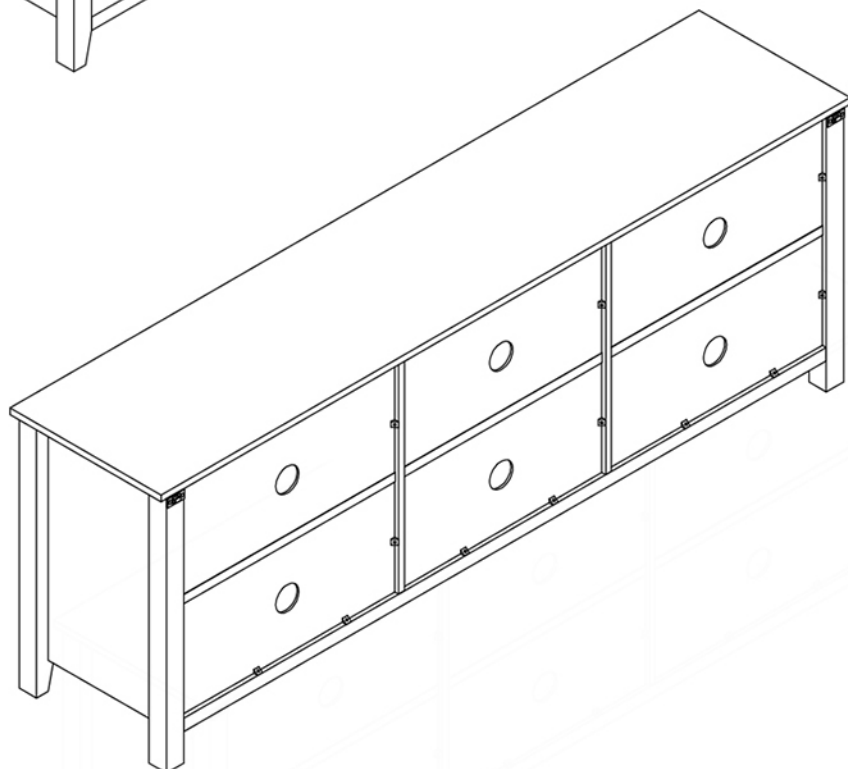
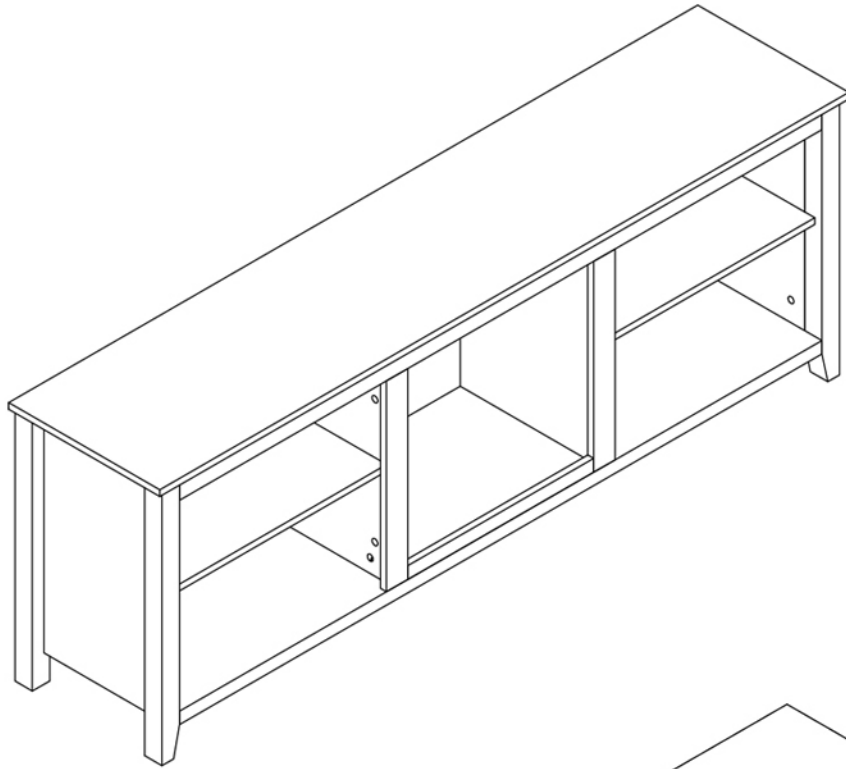
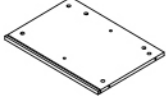
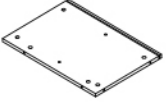
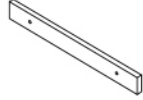
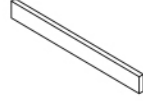
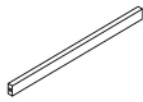


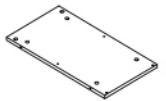



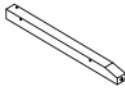

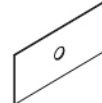
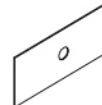

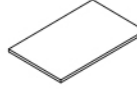


ASSEMBLY INSTRUCTION

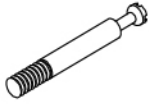

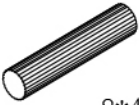

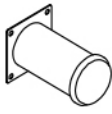

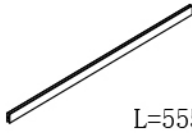
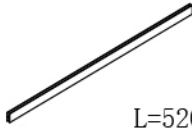


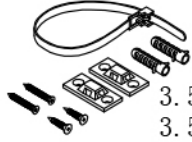





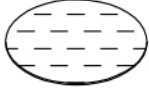
Parts List

NO.	Drawing	Dimension	QTY
1		515*365*15mm	1
2		515*365*15mm	1
3		472*55*15mm	1
4		472*55*15mm	1
5		480*31*15mm	1
6		1660*380*30mm	1
7		545*290*15mm	1
8		545*290*15mm	1

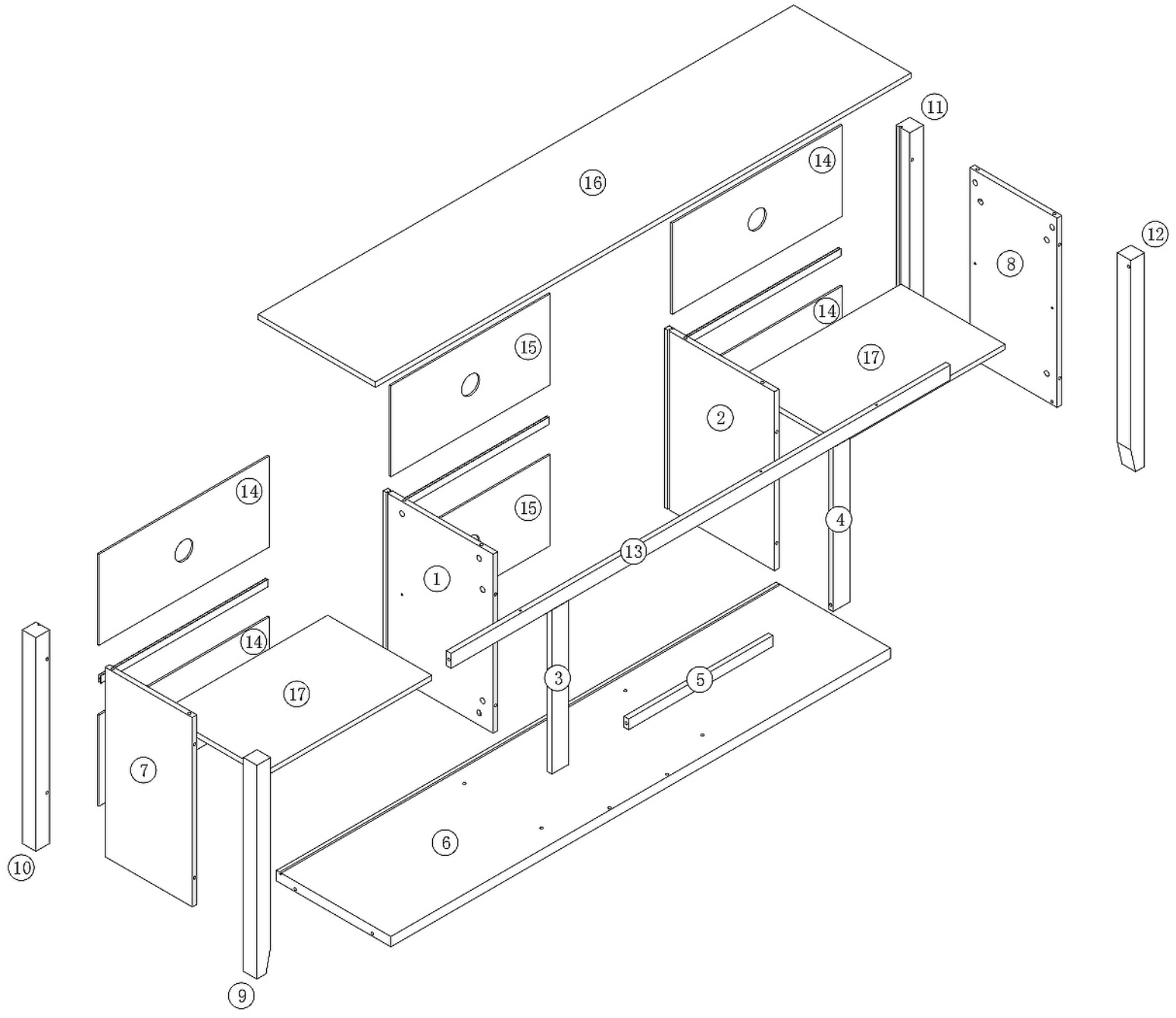
NO.	Drawing	Dimension	QTY
9		615*45*45mm	1
10		615*45*45mm	1
11		615*45*45mm	1
12		615*45*45mm	1
13		1660*43*15mm	1
14		565*262*4mm	4
15		530*262*4mm	2
16		1780*390*15mm	1
17		554*348*15mm	2

Hardware Fitting

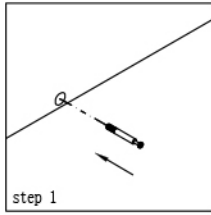
NO.	Drawing	QTY
A		30
B		30
C	 8*40	10
D		2
E		2
F	 3.5*14	8
G	 L=555mm	2
H	 L=520mm	1
I		24
J	 3.0*14mm	24
K	 3.5*35mm 3.5*14mm	2

NO.	Drawing	QTY
L	 3.5*35mm	4
M	 5*14mm	8
	 4mm	1
		32

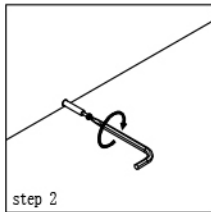




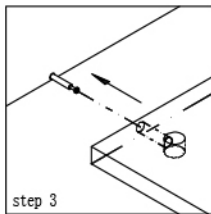
Cam Coupling Using Methods



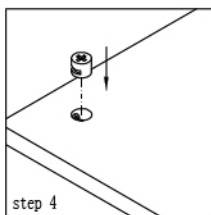
Step1.
Connect the cam coupling A as directed in the assembly instructions using hand.



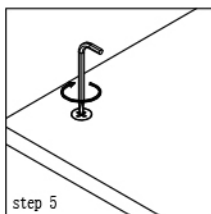
Step2.
Screw the cam coupling A as directed in the assembly instructions.



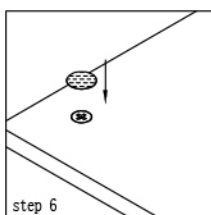
Step3.
Push the cam coupling A into the entry hole.



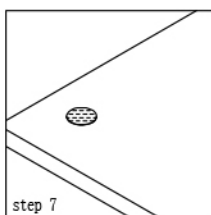
Step4.
Insert the cam coupling B as shown in the instructions.



Step5.
Turn the cam coupling B clockwise with a screwdriver



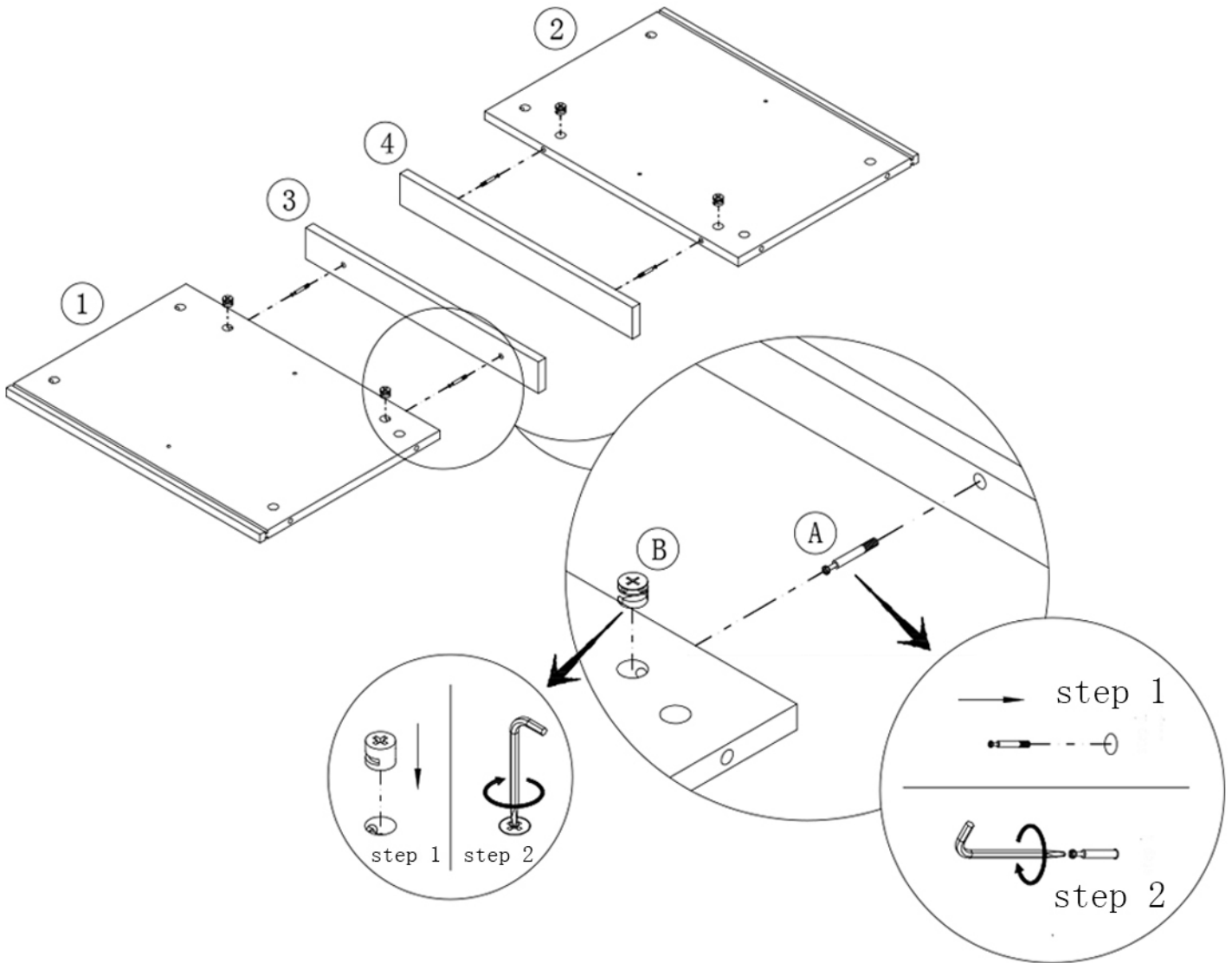
Step6.
Put on Beautycam.



Step7.
Finished.

You should feel a click when the camlock is locked in place.
The joint is now secure.

Step 1



1		*1
2		*1
3		*1
4		*1
A		*4
B		*4

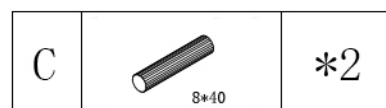
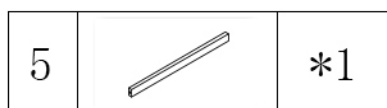
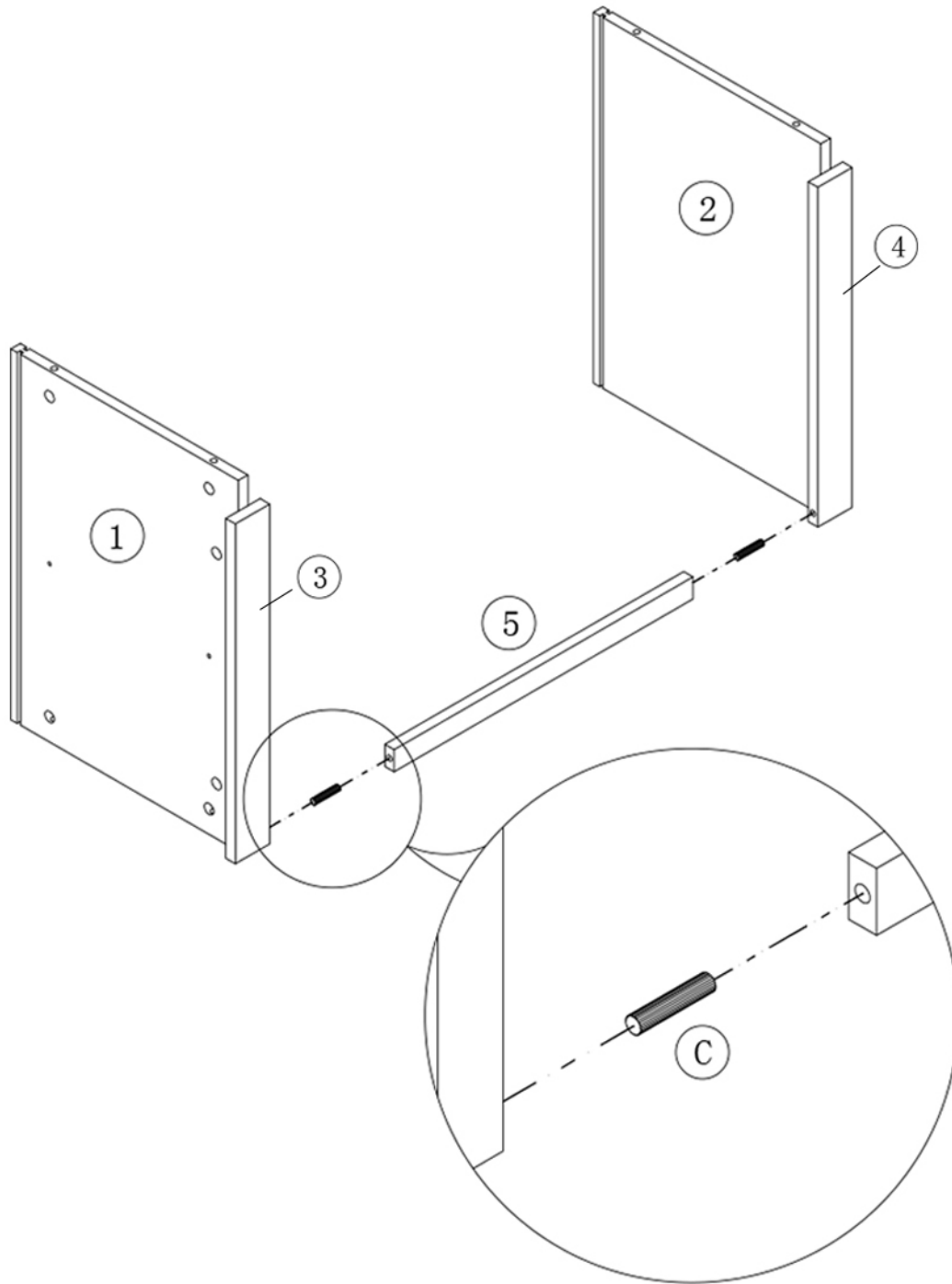
Connect panel 3 to panel 1;
connect panel 4 to panel 2;
with cam coupling A&B.

Note:

Cam coupling using methods,
please refer to

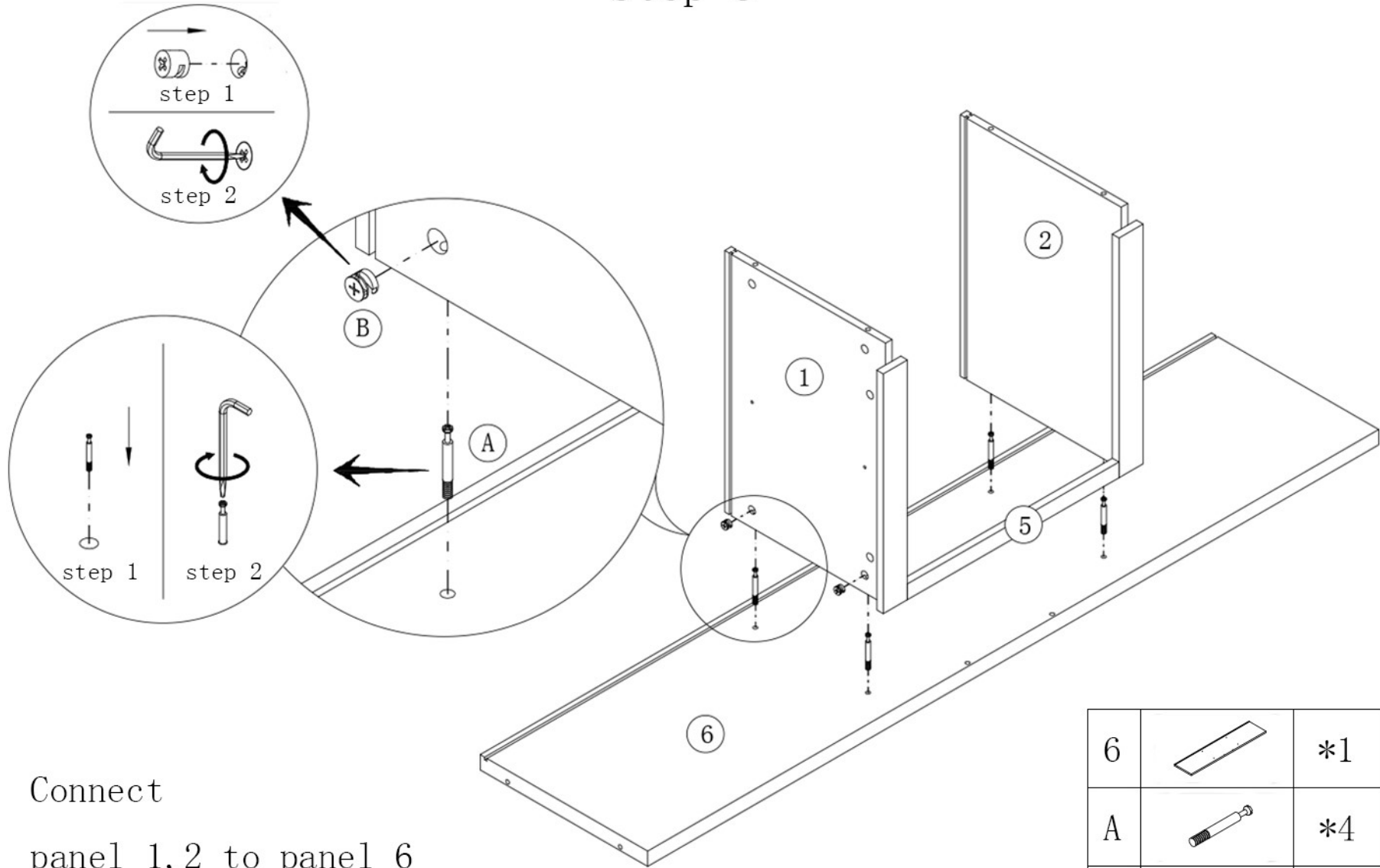
Cam Coupling Using Methods page.

Step 2



Connect panel 5 to panel 3, 4 with C

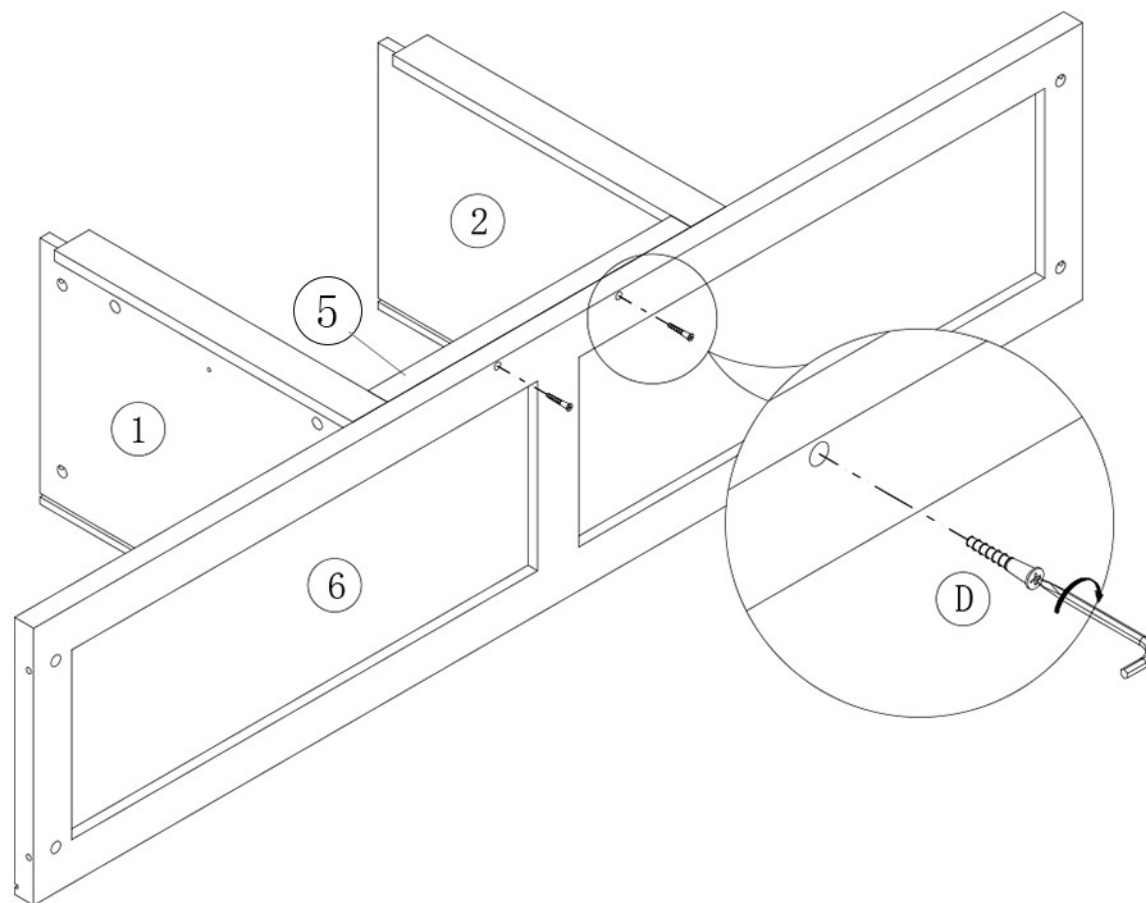
Step 3



Connect
panel 1,2 to panel 6
with cam coupling A&B

6		*1
A		*4
B		*4

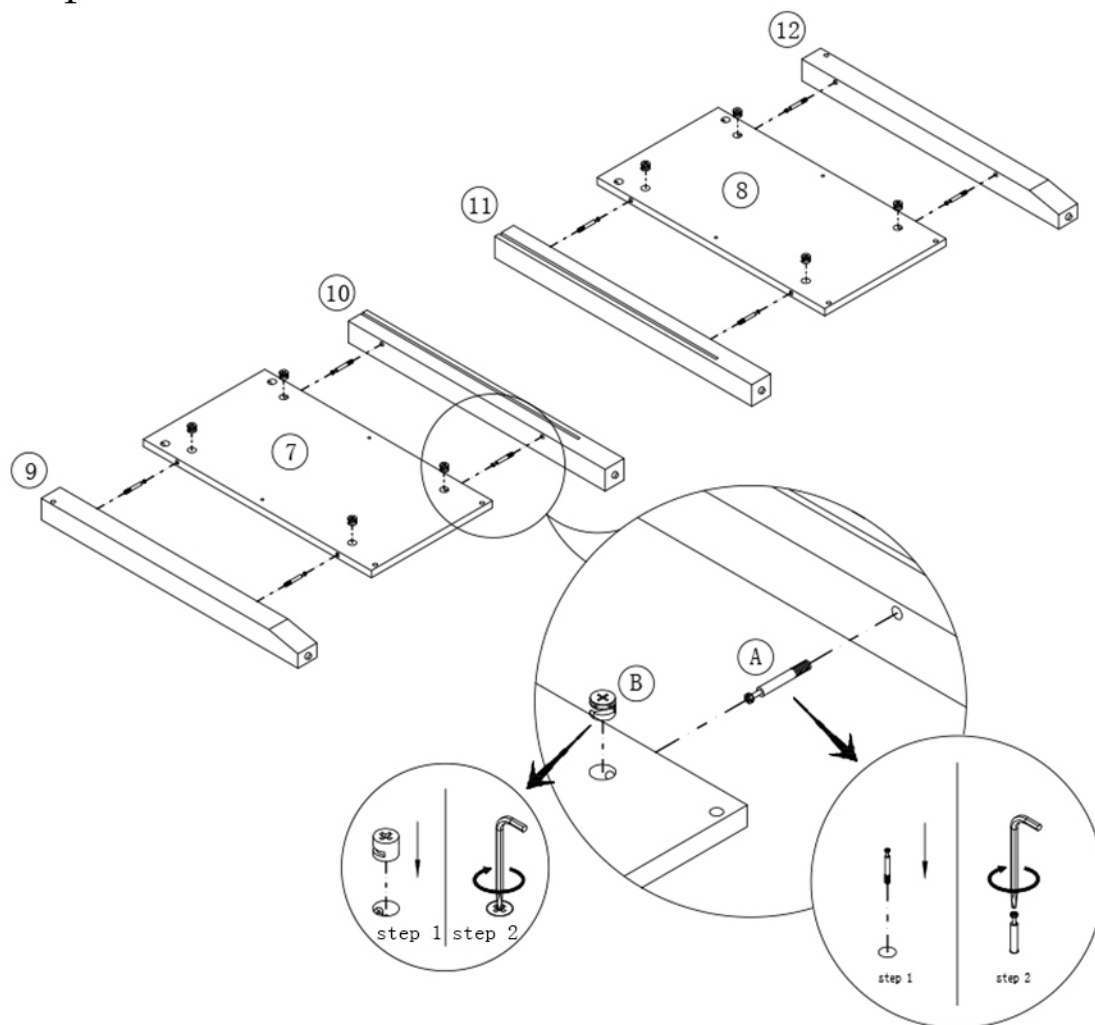
Step 4



D		*2
---	---	----

Connect
panel 5 to panel 6
with screw D

Step 5

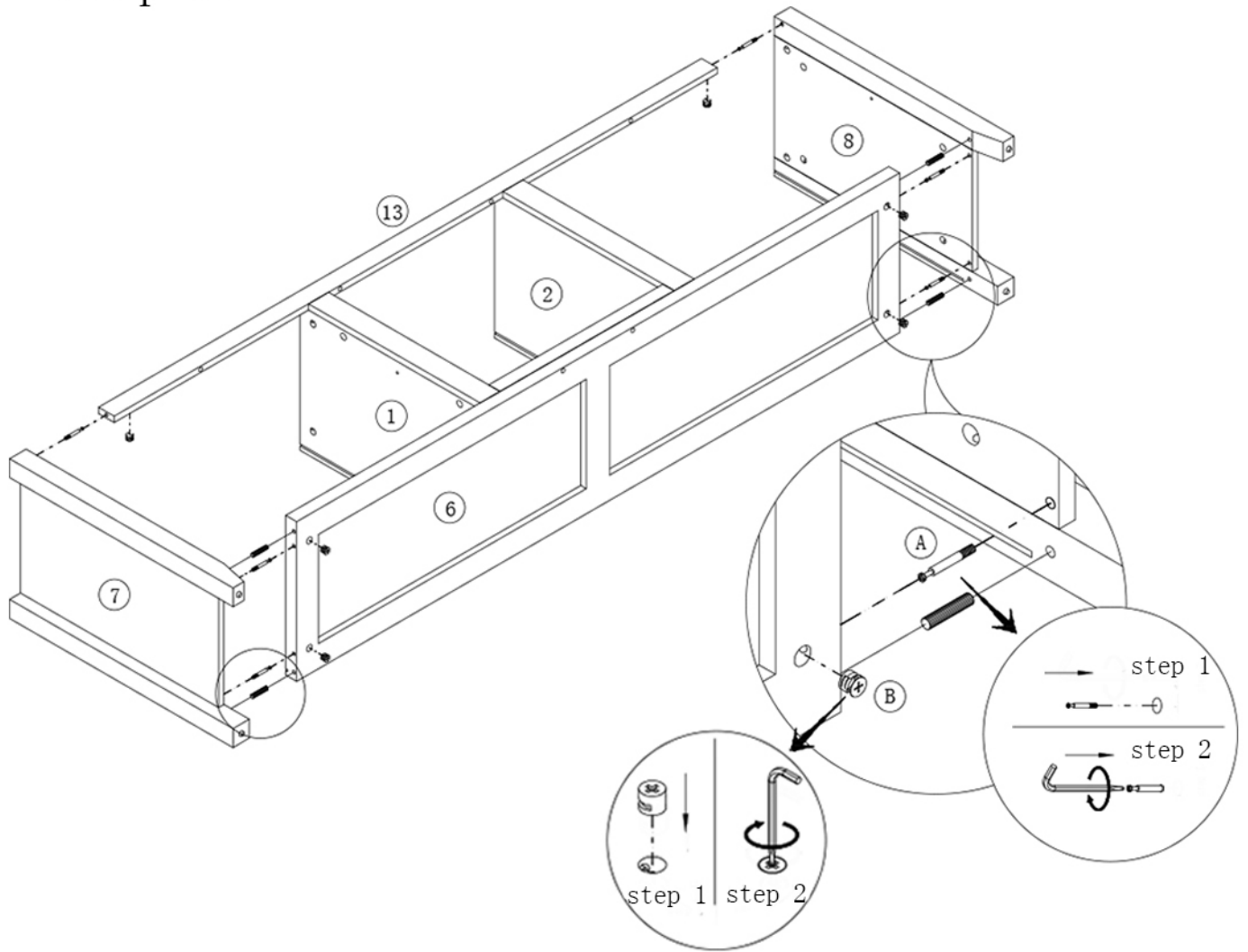


7		*1	11		*1
8		*1	12		*1
9		*1	A		*8
10		*1	B		*8

Connect
panel 9, 10 to panel 7
with cam coupling A&B

Connect
panel 11, 12 to panel 8
with cam coupling A&B

Step 6



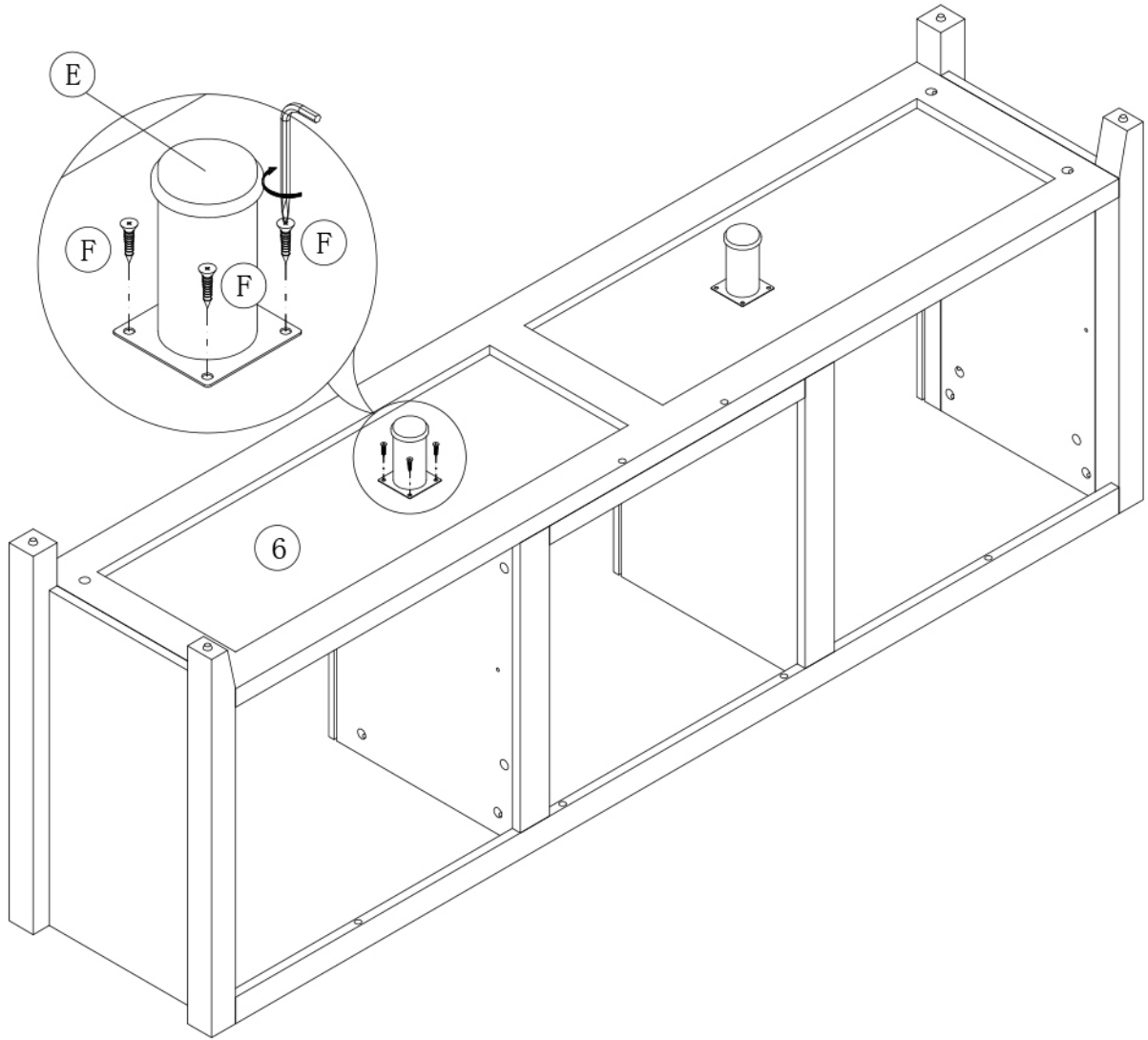
Connect
panel 1, 2 to panel 13
with cam coupling A&B;



Connect
panel 7 to panel 6, 13
with cam coupling A&B;

Connect
panel 8 to panel 6, 13
with cam coupling A&B.

13		*1
A		*6
B		*6
C		*4

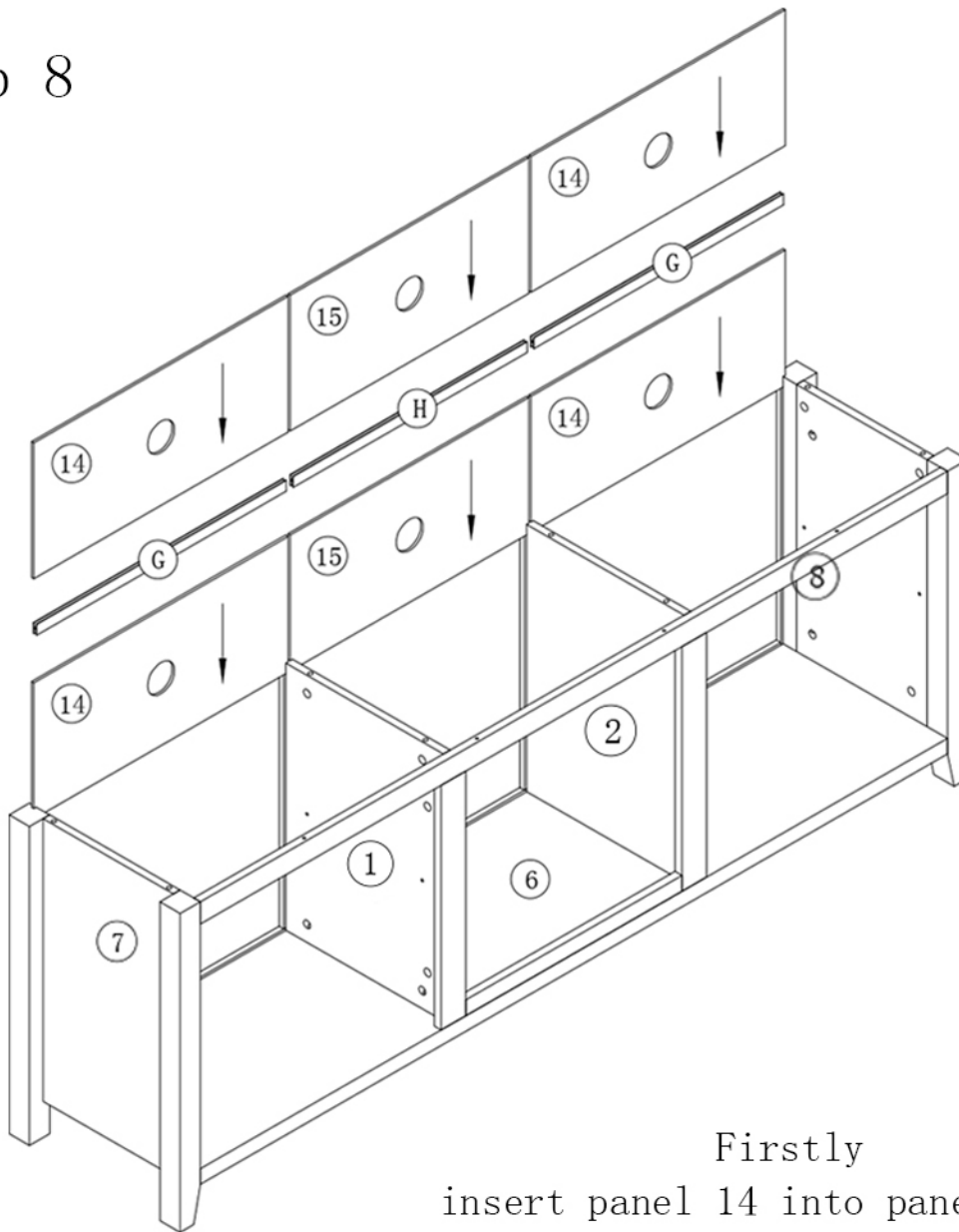
Step 7



E		*2
F	 3.5*14	*8

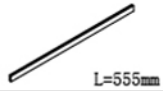
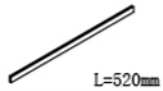
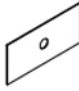
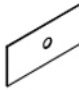
Fix E
on panel 6
with screw F.

Step 8



Firstly

insert panel 14 into panel 7, 1;
 insert panel 15 into panel 1, 2;
 insert panel 14 into panel 2, 8.

G	 L=555mm	*2
H	 L=520mm	*1
14		*4
15		*2

Secondly

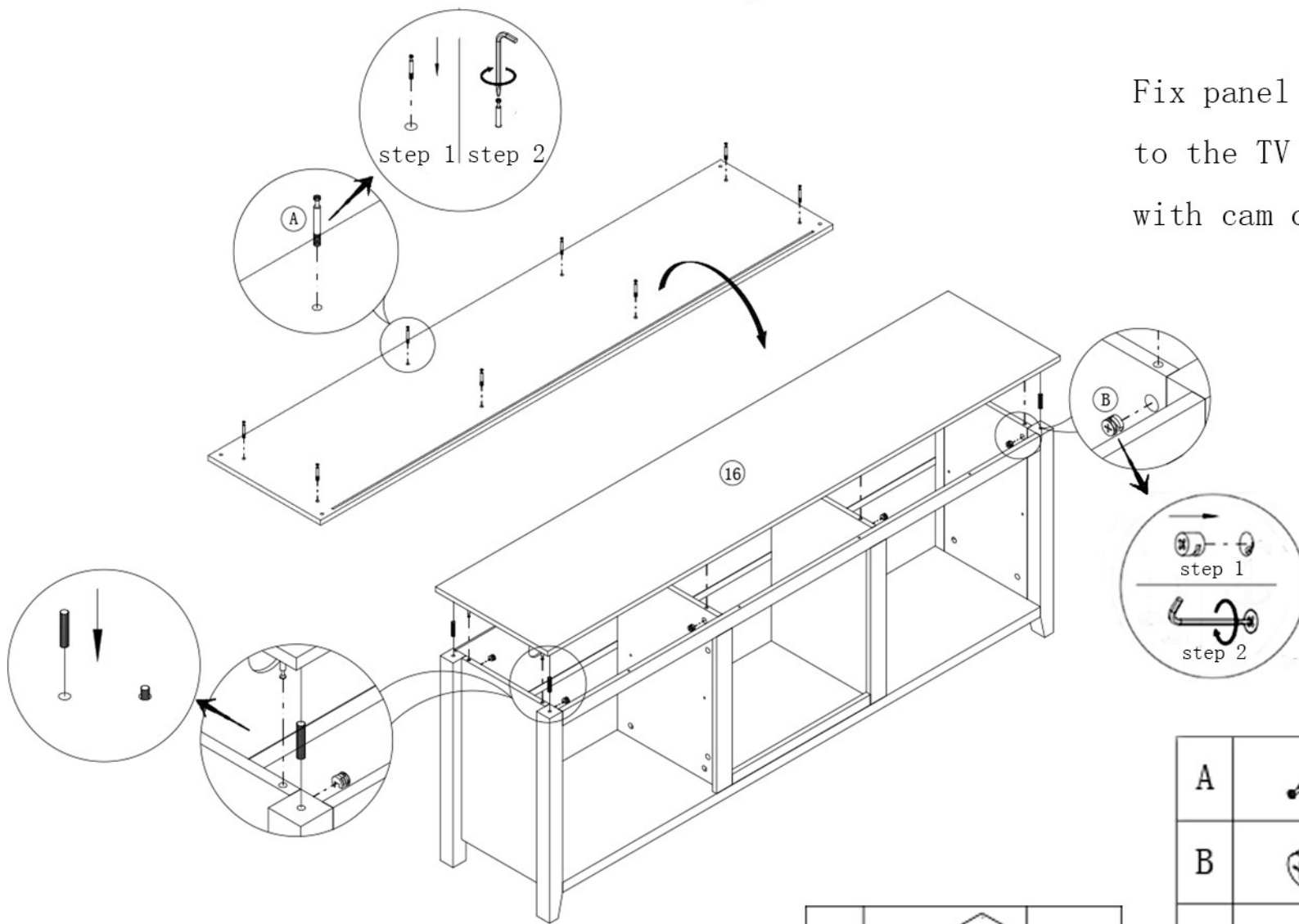
insert G into panel 7, 1;
 insert H into panel 1, 2;
 insert G into panel 2, 8.


Then do again:




insert panel 14 into panel 7, 1;
 insert panel 15 into panel 1, 2;
 insert panel 14 into panel 2, 8.

Step 9

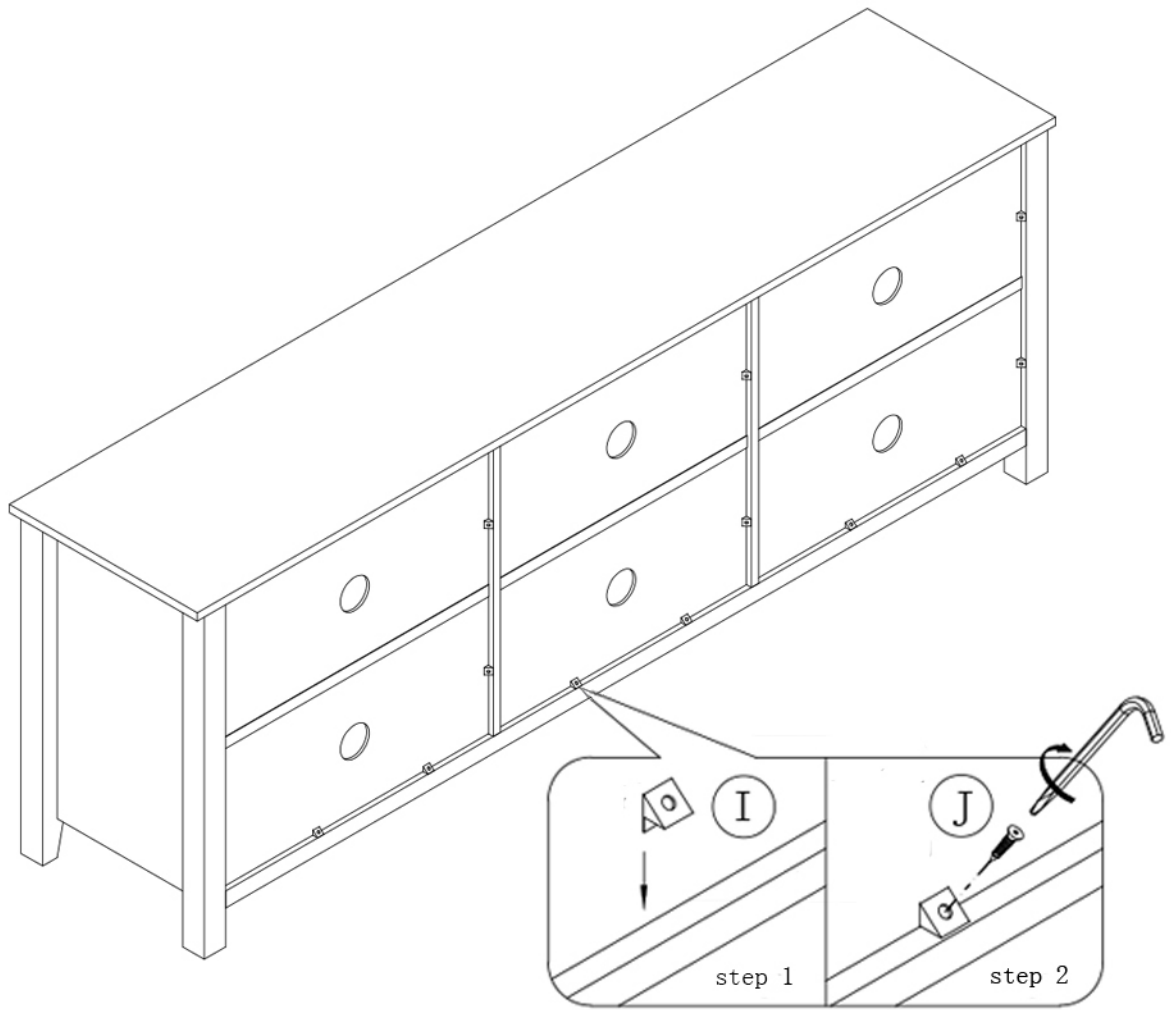
Fix panel 16
to the TV stand
with cam coupling A&B.



16		*1
----	---	----

A		*8
B		*8
C	 S*40	*4

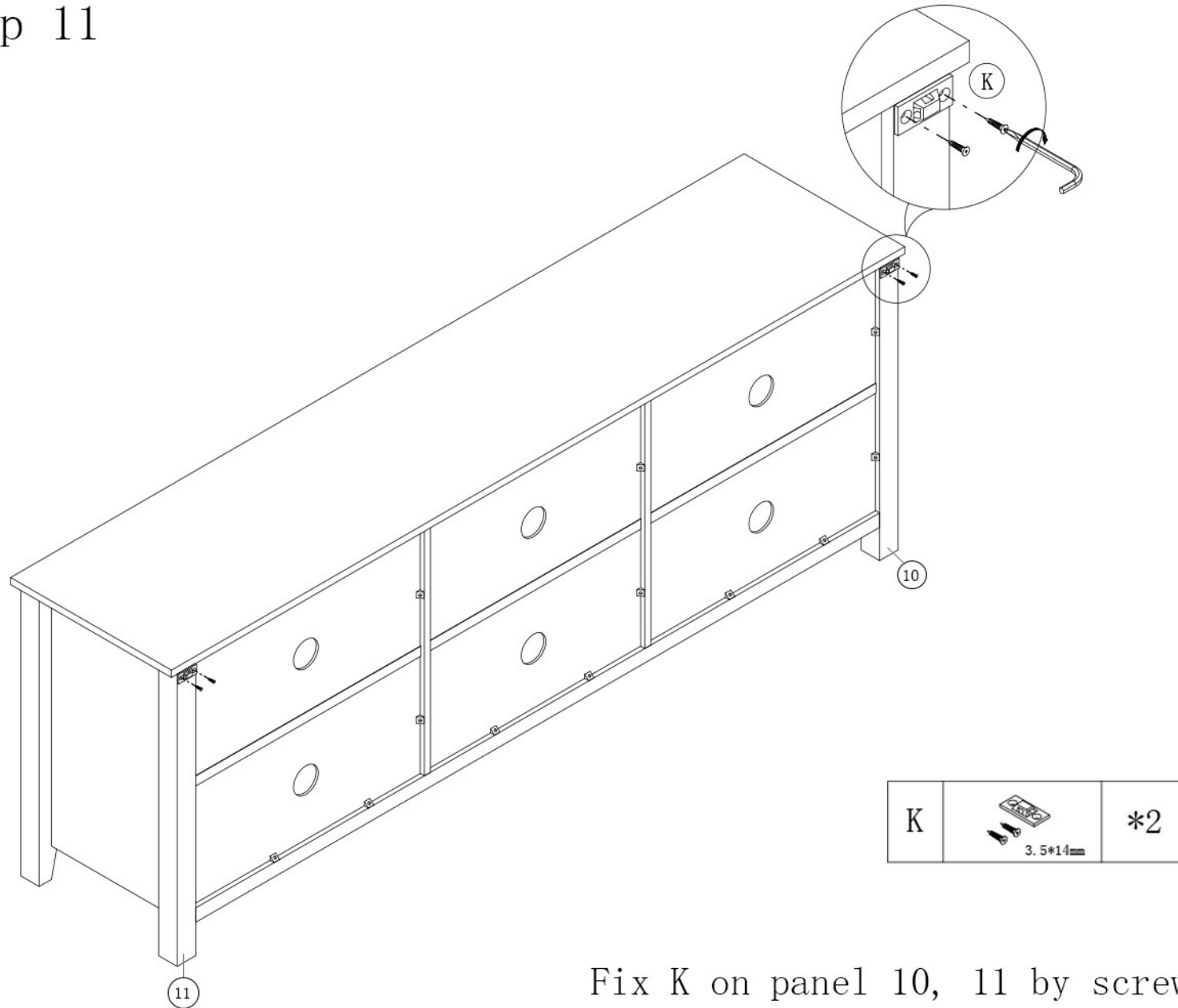
Step 10



I		*24
J	 3.0*14mm	*24

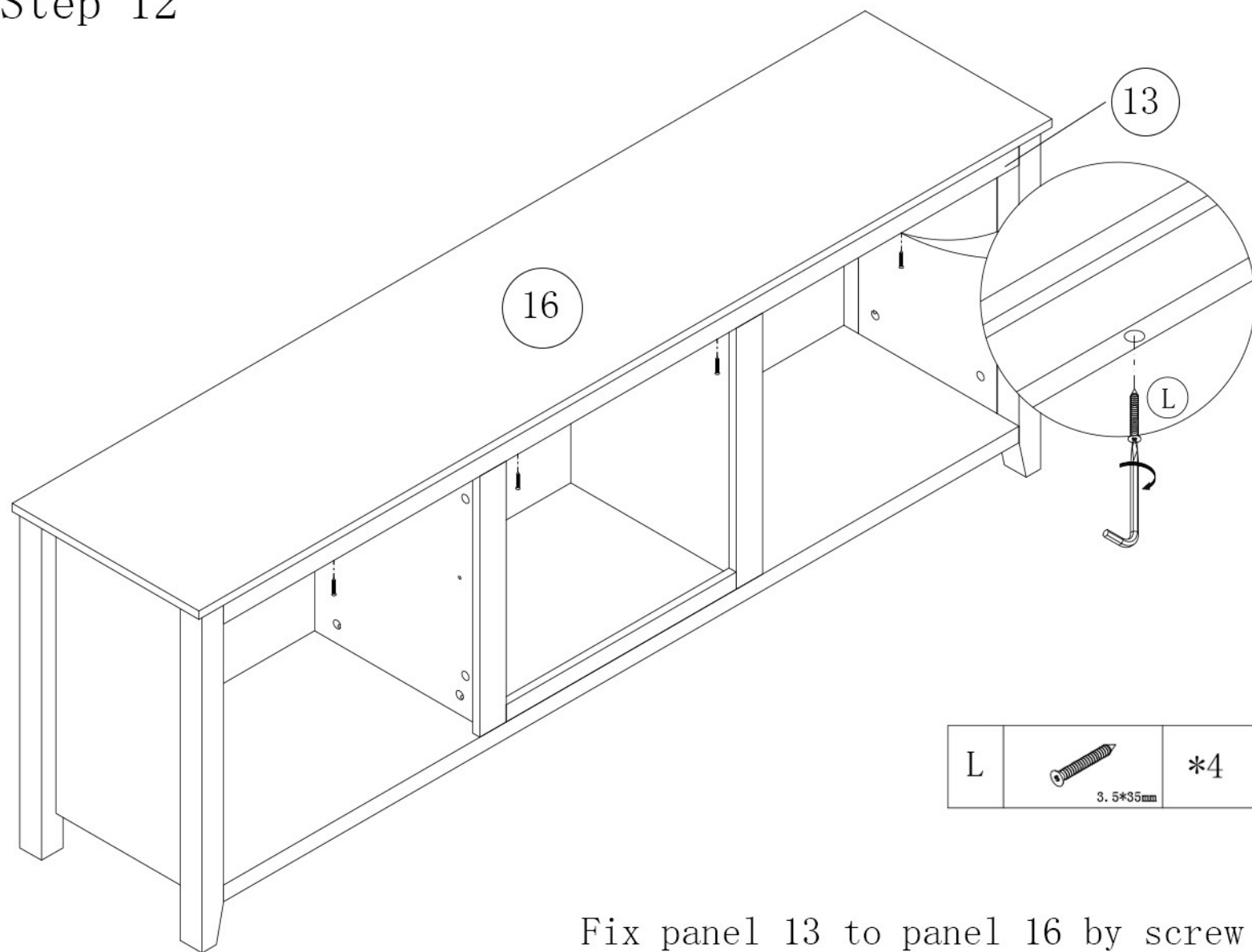
Strengthen the TV body with I by screw J

Step 11



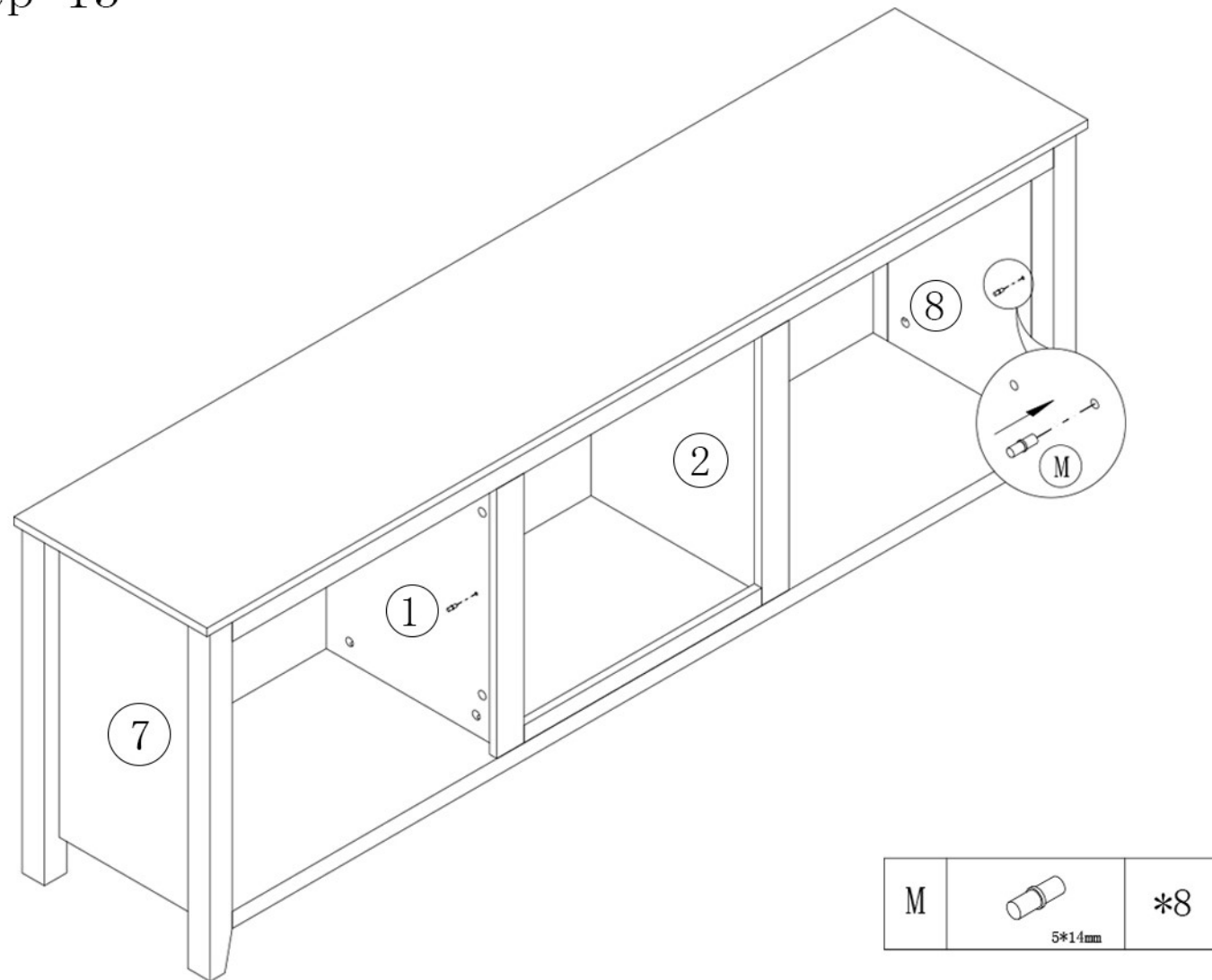
Fix K on panel 10, 11 by screw.

Step 12



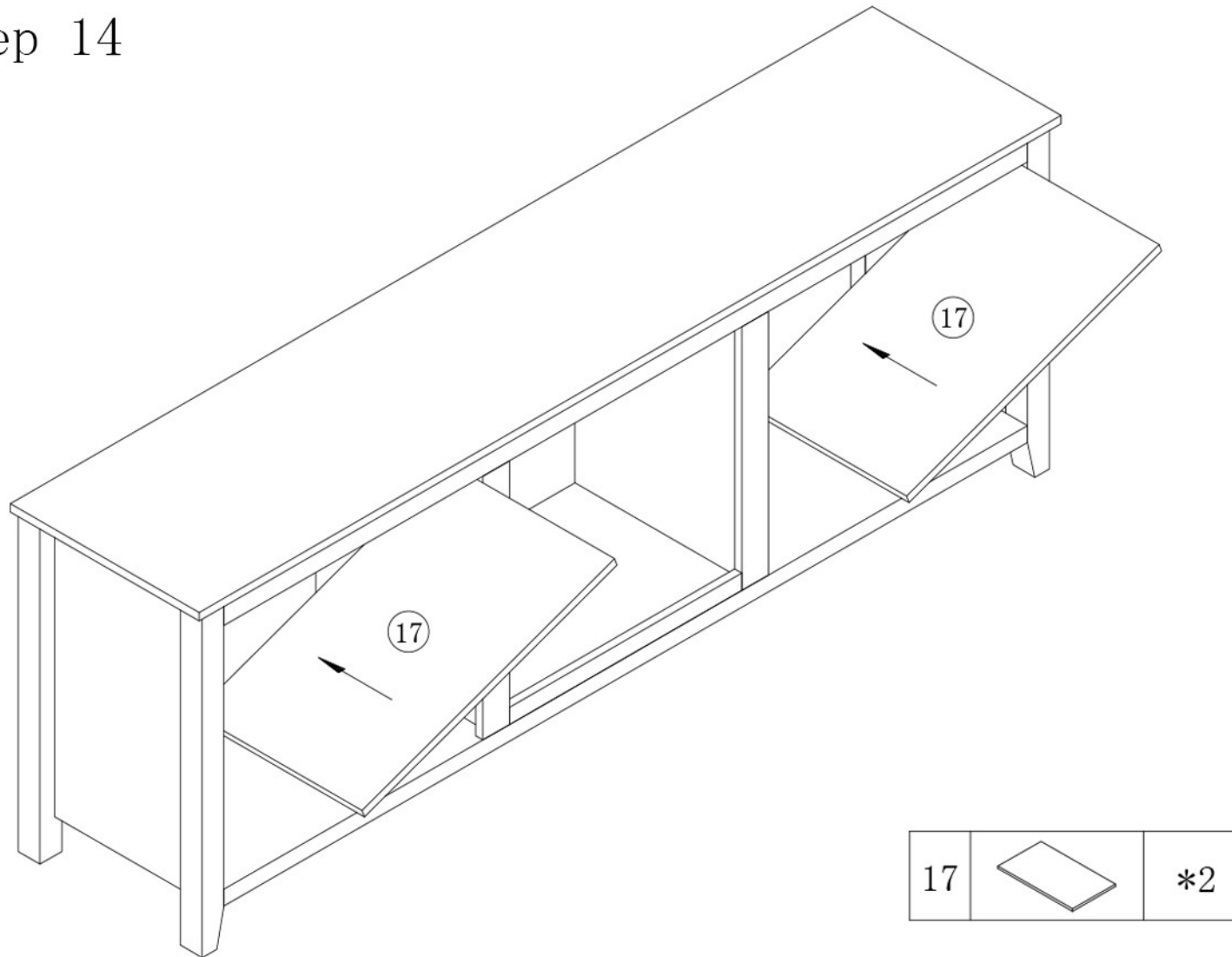
Fix panel 13 to panel 16 by screw L

Step 13



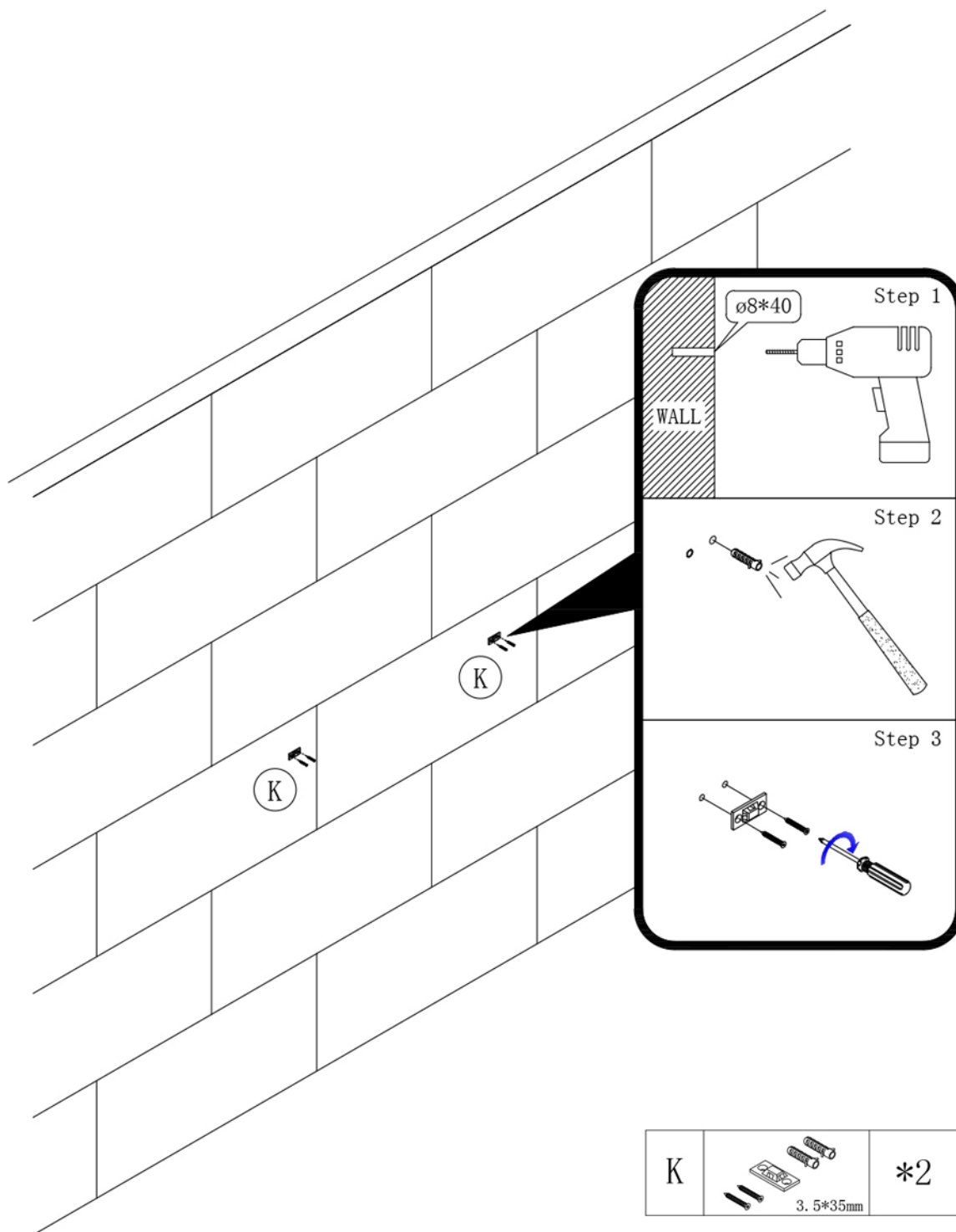
Insert the hardware fitting M into panel 7, 1, 2, 8.

Step 14



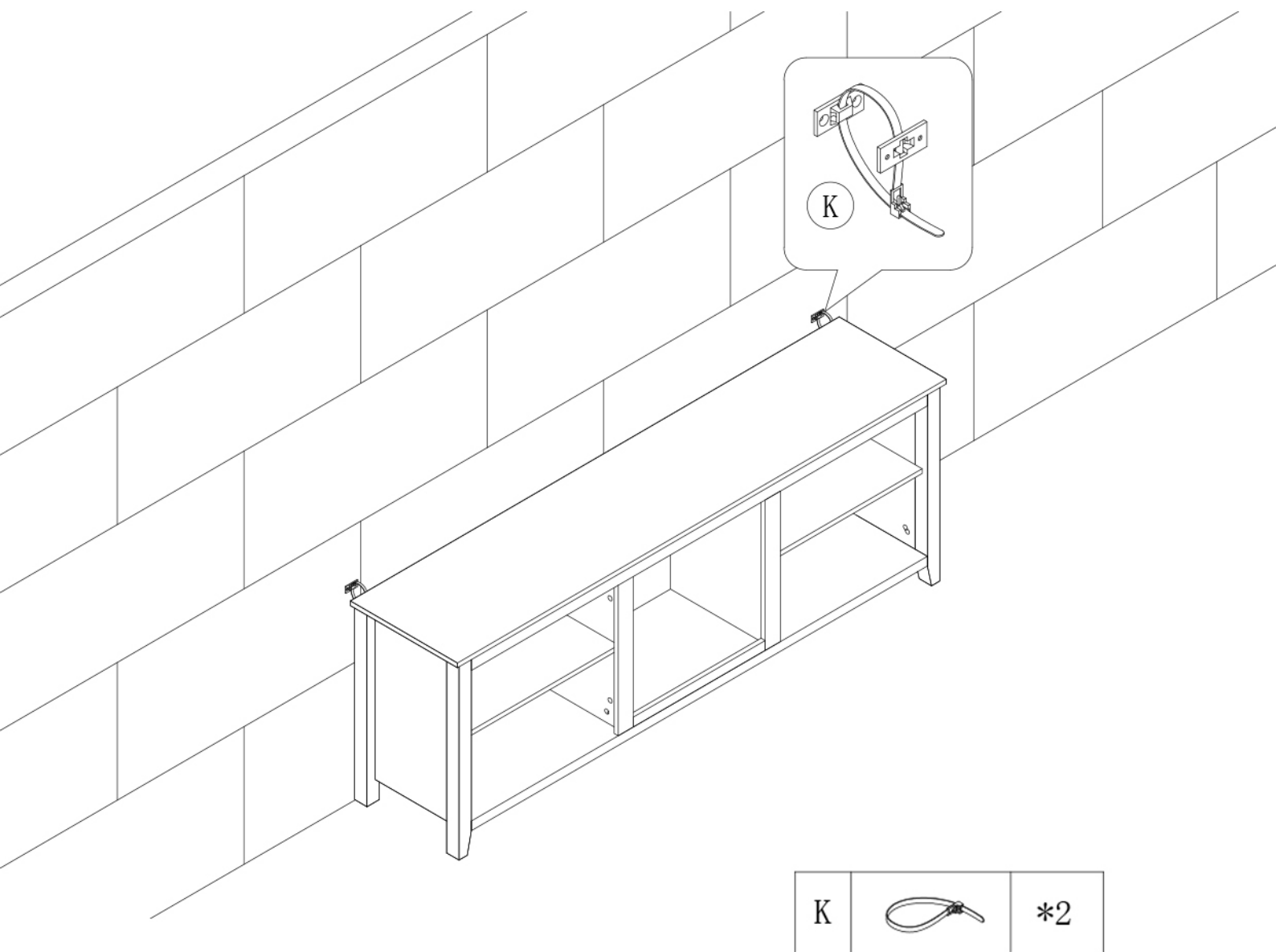
Put on two pieces of panel 17 on hardware fitting M.

Step 15



Drill holes ($\Phi 8*40$) on the wall at proper positions with electric drill, fix K on the wall with hammer and screw driver

Step 16



Using plastic ribbon K part to tie the cabinet on the wall.

It will prevent the cabinet from falling.