

Note:

Should be assembled on flat ground to keep balance.

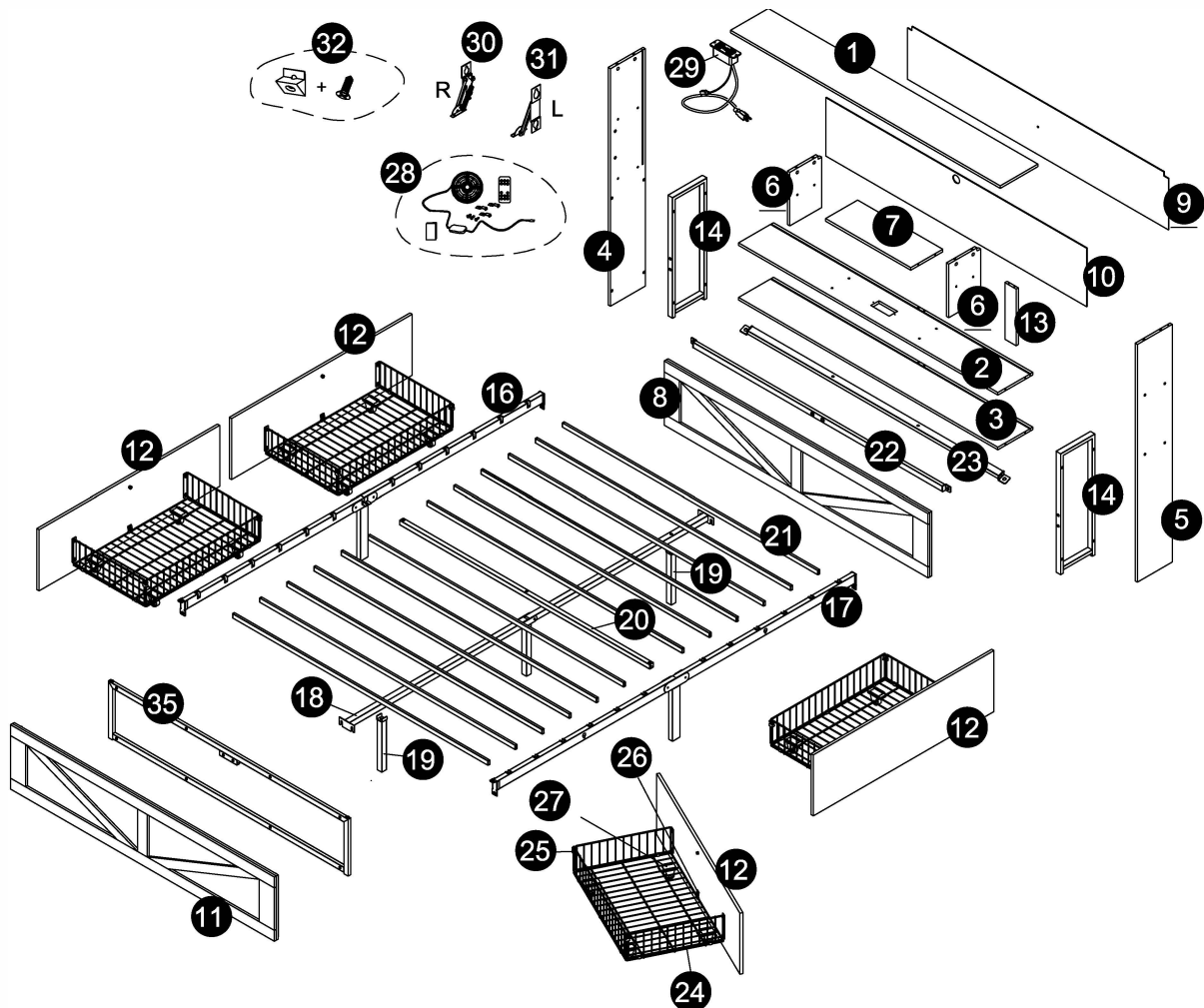
It needs at least two people to install.

Before starting the assembly, you must read the whole manual and follow the instructions.

This set comes in 2 boxes. If you do not receive a full set of 2 boxes, please contact our customerservice.

box A : 1-11,13,14,20-23,25,26,27,35,instructions;

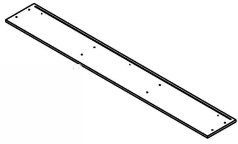
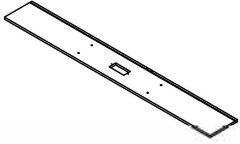
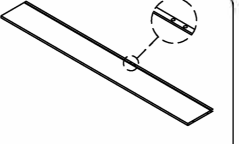
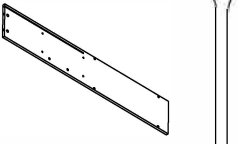
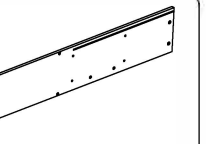
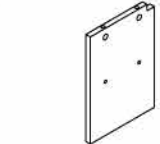
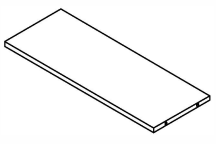
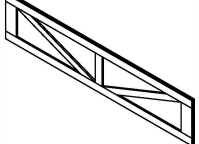
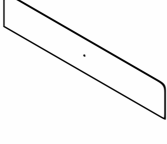
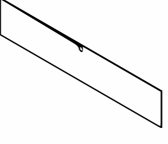
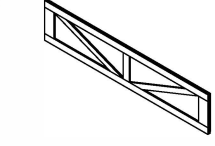

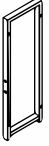

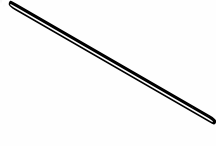

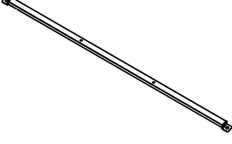
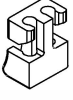
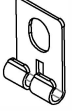
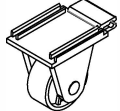
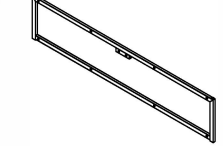
box B : 12,16-19,24, 28-32, screw pack,instructions.



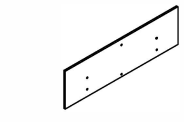
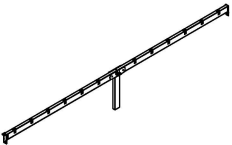
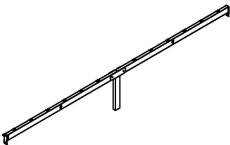
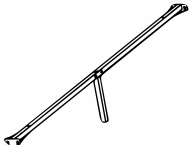
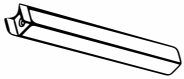
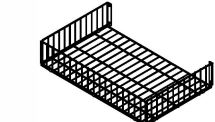

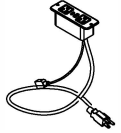

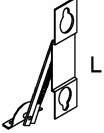
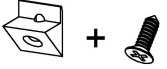
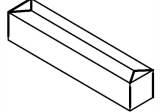
! Pls make sure all the accessories are complete!

PACKING DETAILS: TOTAL 2 BOXES

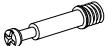

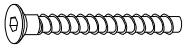


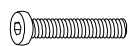
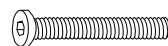
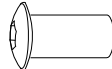

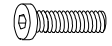

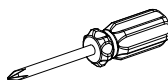
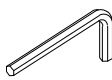
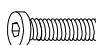

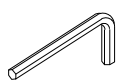
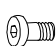
BOX : A

				
1 1PC	2 1PC	3 1PC	4 1PC	5 1PC
				
6 2PCS	7 1PC	8 1PC	9 1PC	10 1PC
				
11 1PC	13 1PC	14 2PCS	20 1PC	21 12PCS
				
22 1PC	23 1PC	25 8PCS	26 4PCS	27 16PCS
				
35 1PC				

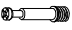

BOX : B

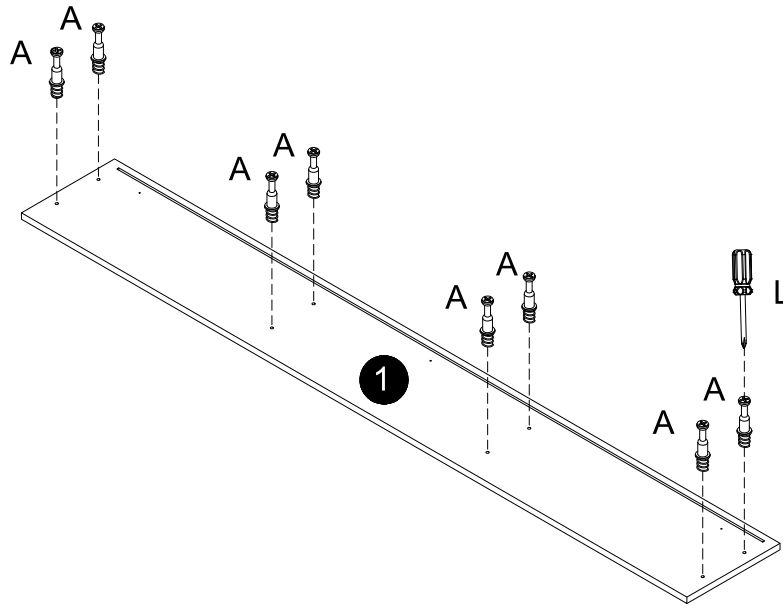
				
12 4PCS	16 1PC	17 1PC	18 1PC	19 2PCS
				
24 4PCS	28 1PC	29 1PC	30 1PC	31 1PC
				
32 8PCS	Hardware box			

! Pls make sure all the accessories are complete!

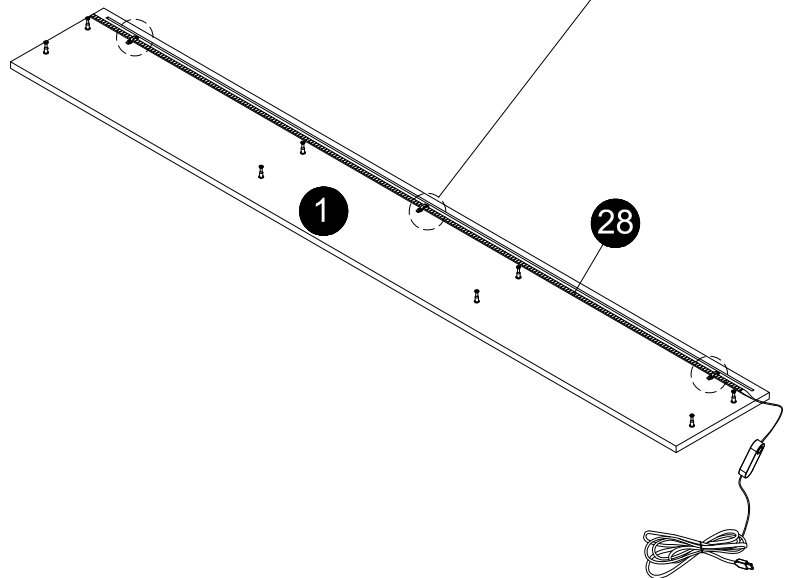
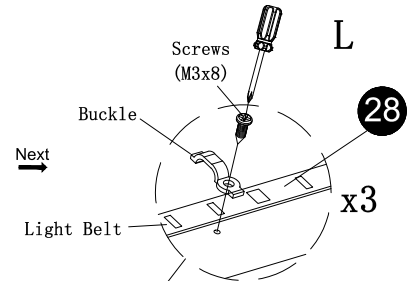
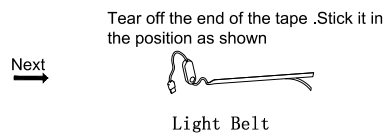
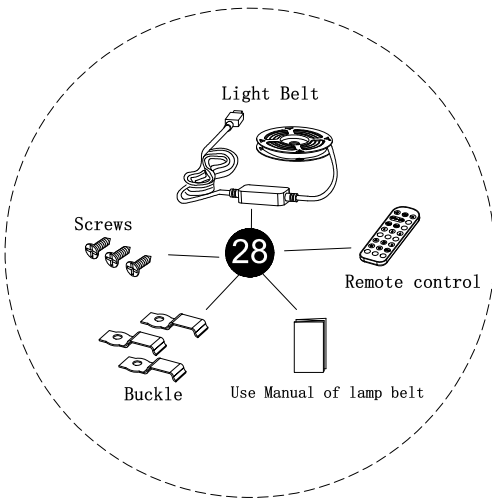
 M6*28mm A (8+1)PCS	 12x11 B (8+1)PCS	 M5*35mm C (21+2)PCS	 M4*12mm D (2+1)PCS	 M6*10mm E (26+2)PCS
 M6*34mm F (10+1)PCS	 M6*55mm G (1+1)PCS	 M6*15mm H (2+1)PCS	 M8*12mm I (12+1)PCS	 M8*25mm J (2+1)PCS
 M8*35mm K (2+1)PCS	 L 1PC	 4mm M 2PCS	 M6*24mm N (10+1)PCS	 M8*10mm O (4+1)PCS
 3mm P 1PC	 M6*15mm Q (4+1)PCS			

Step 1



A			8pcs
L			1pc

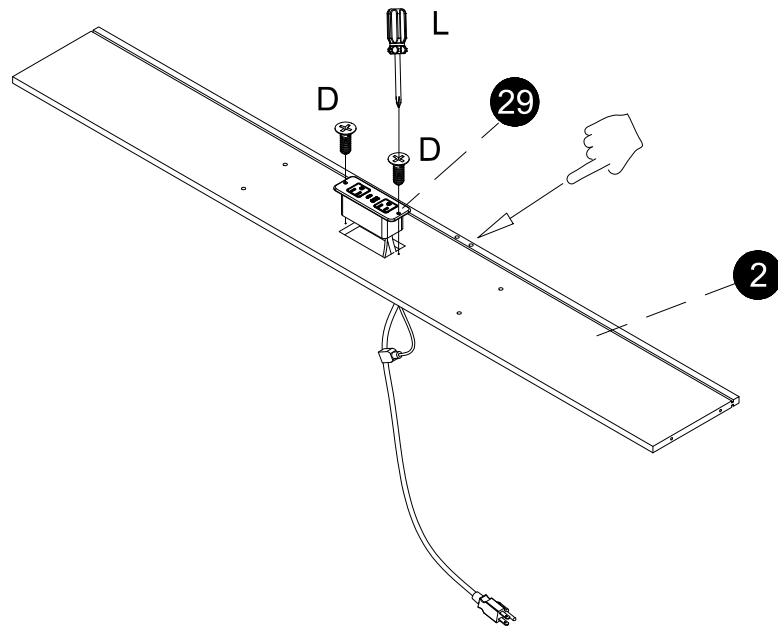


Step 2

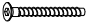



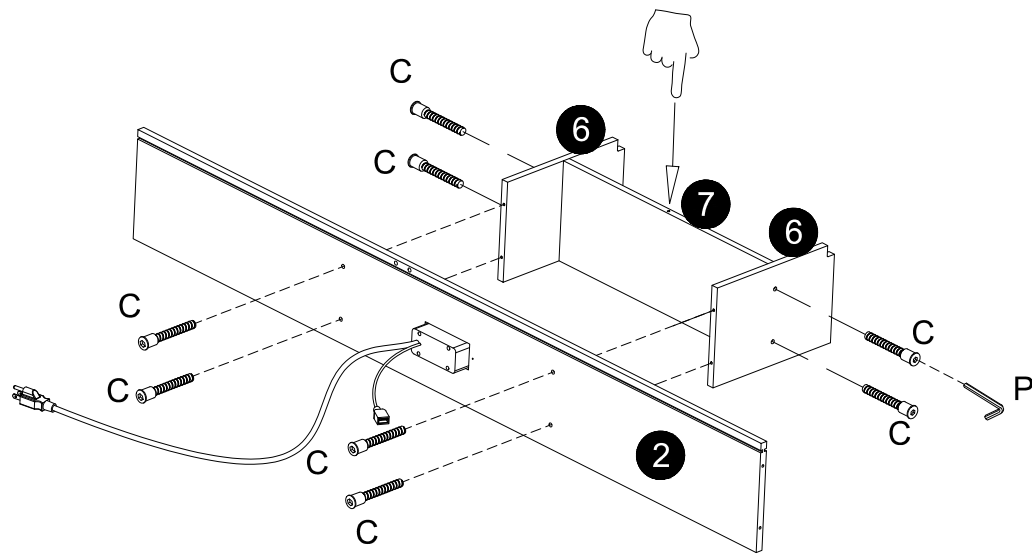
Step 3

D		M4x12	2pcs
L			1pc

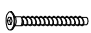



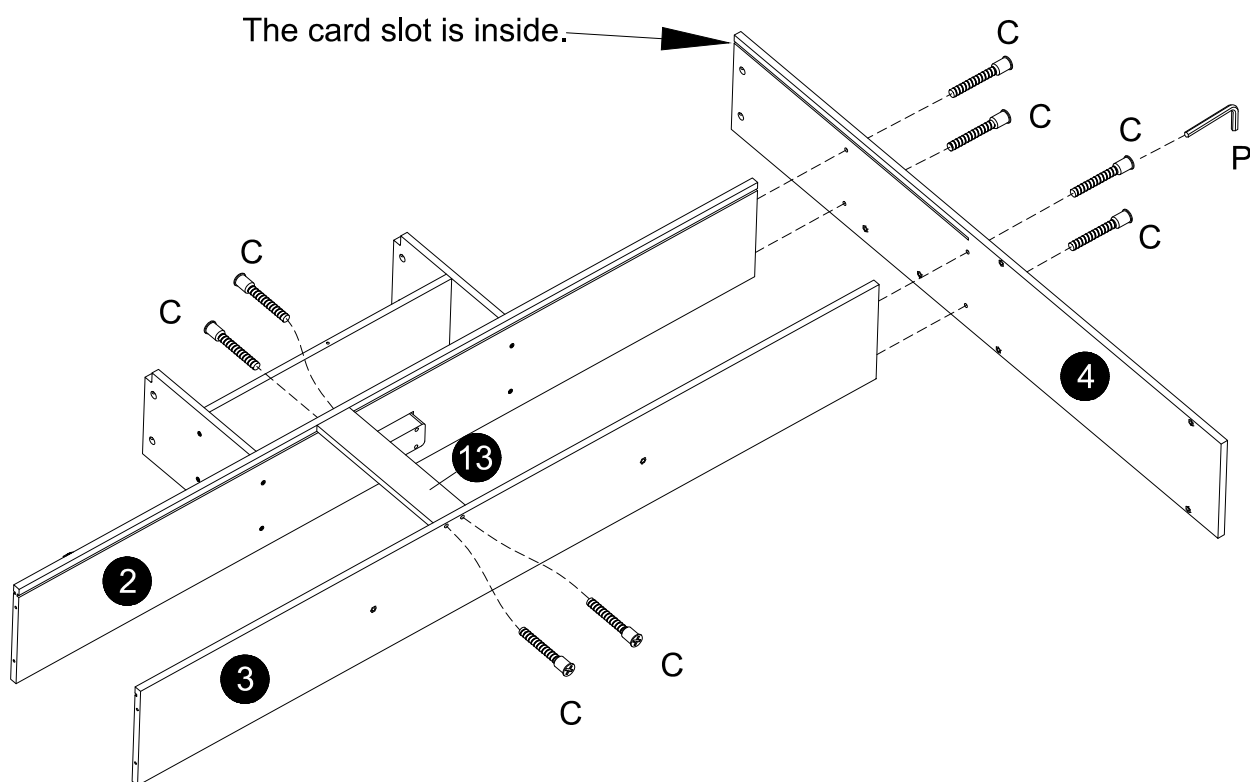
Step 4

C		5*35mm	8pcs
P			1pc

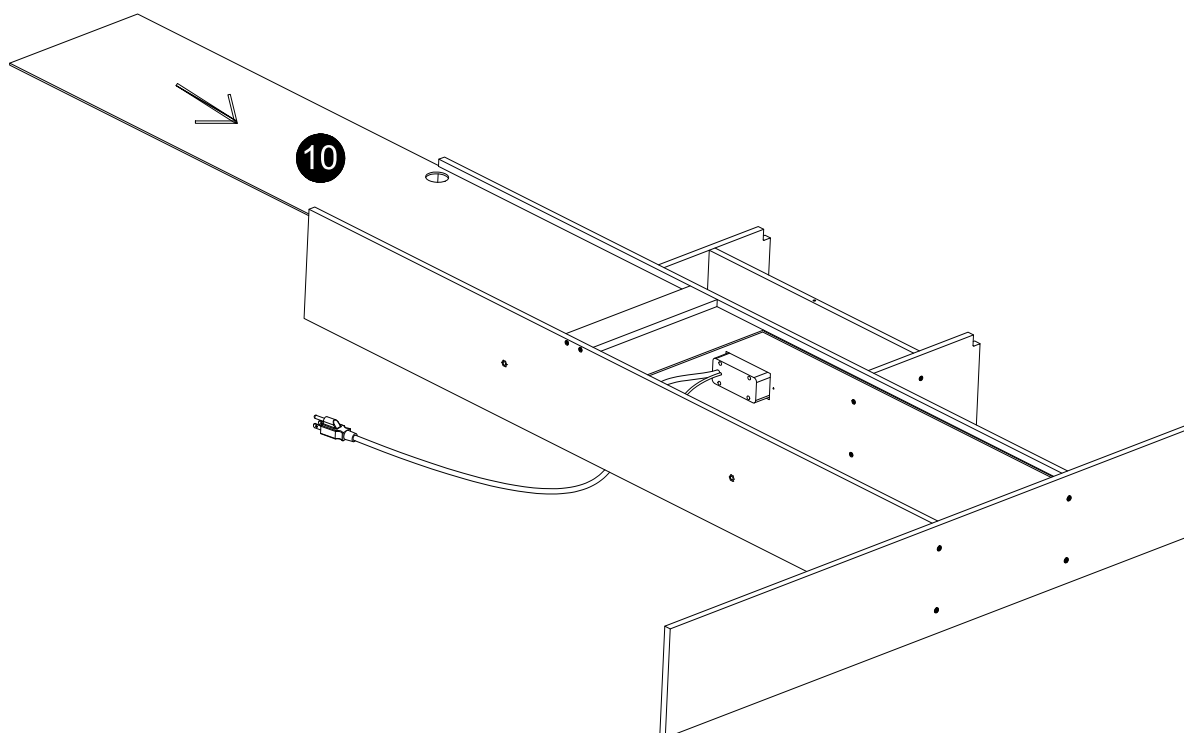


Step 5

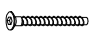

C		5*35mm	8pcs
P			1pc

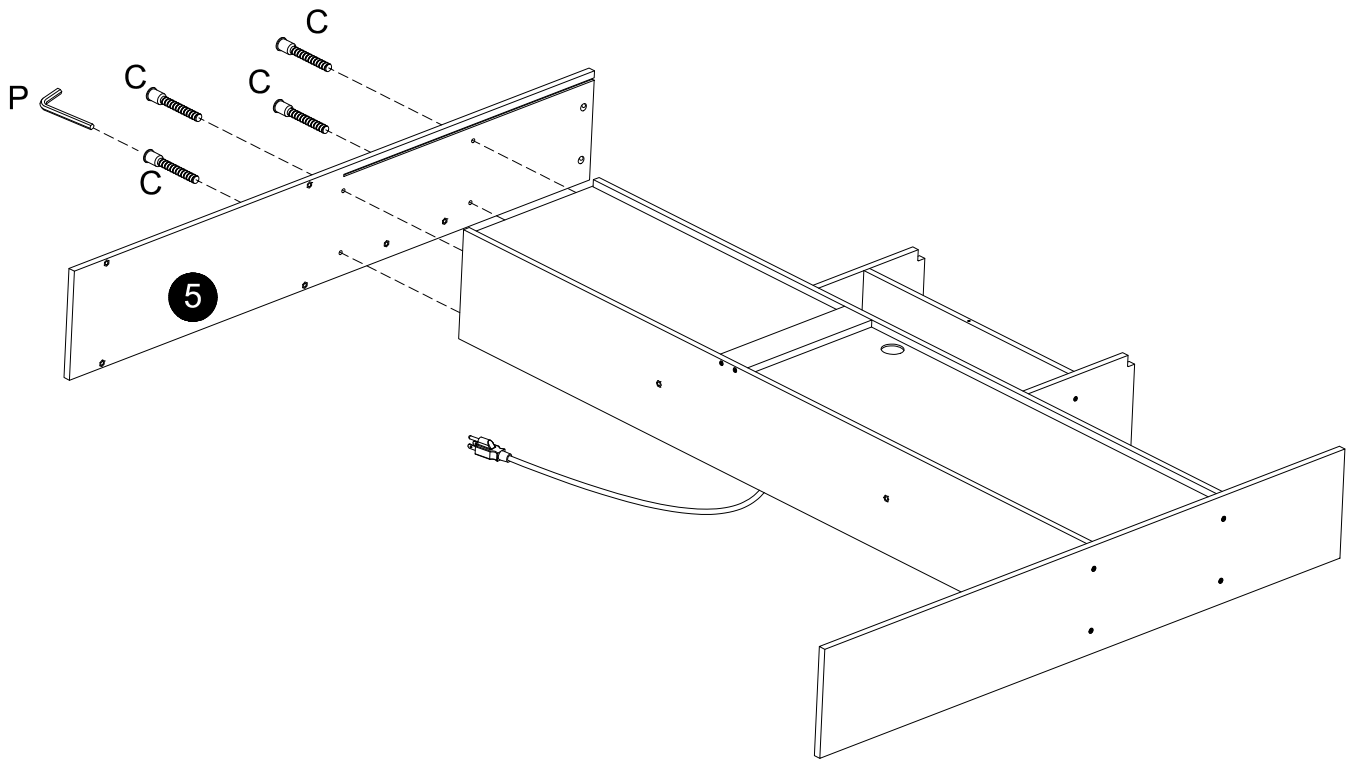


Step 6

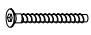



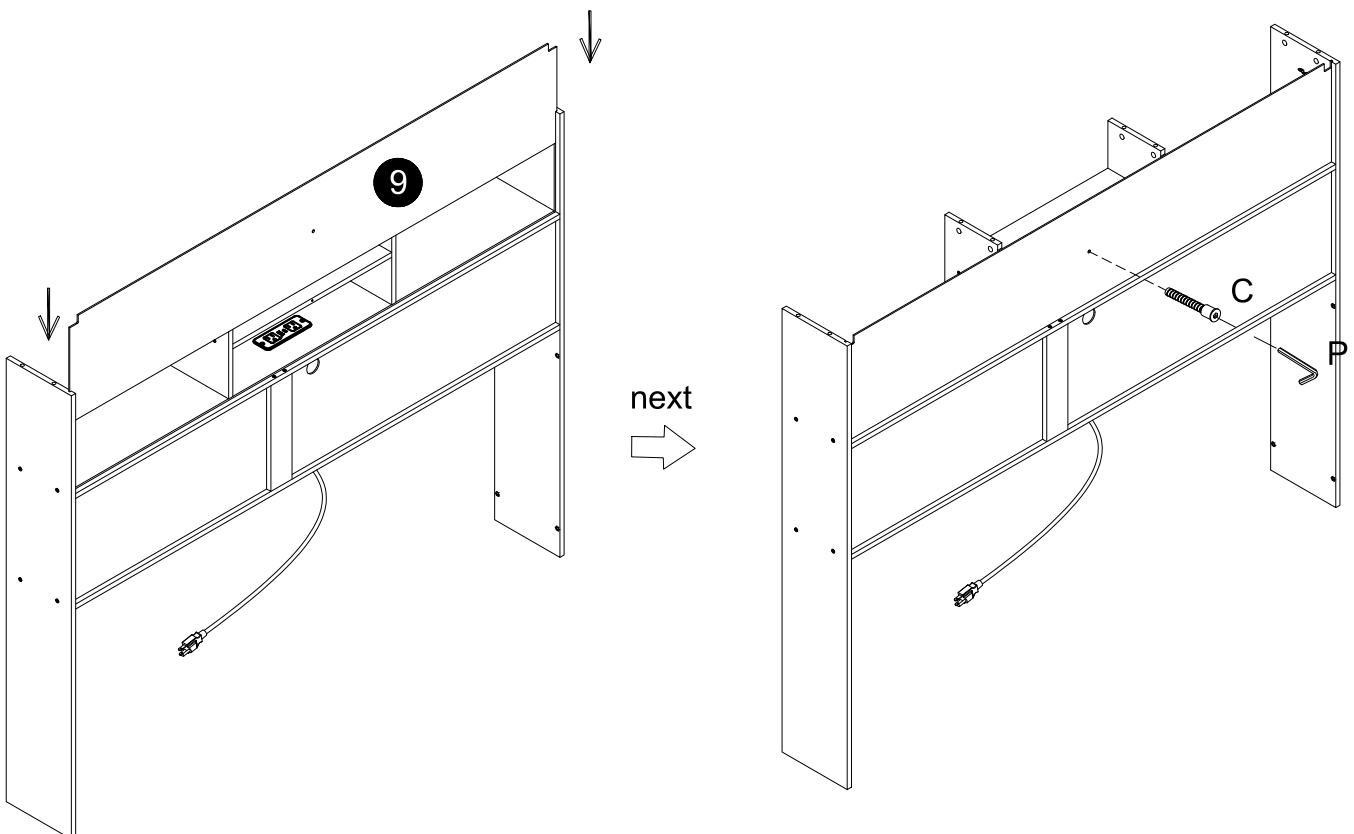
Step 7

C		5*35mm	4pcs
P			1pc





Step 8

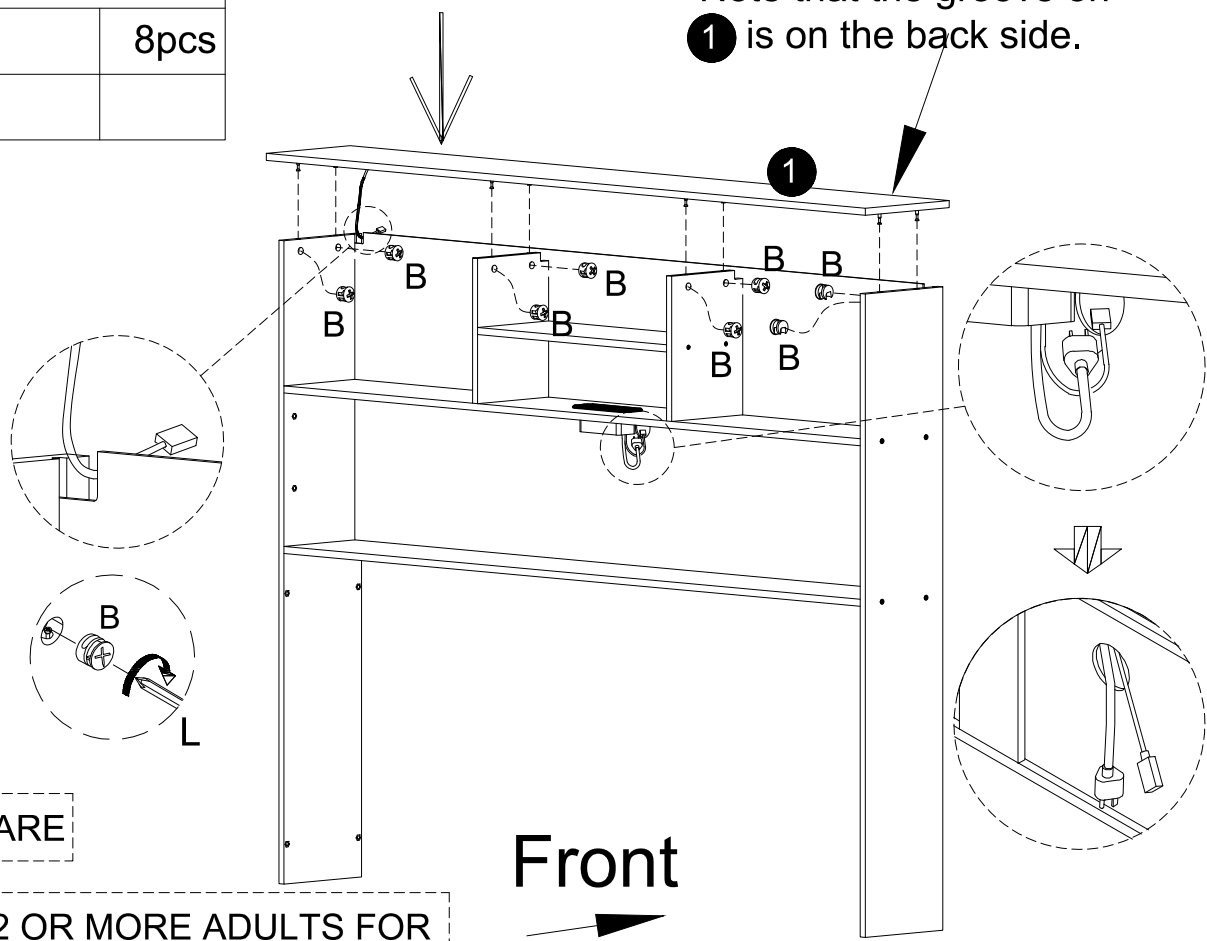
C		5*35mm	1pc
P			1pc



Step 9

B			8pcs
L			



Note that the groove on **1** is on the back side.

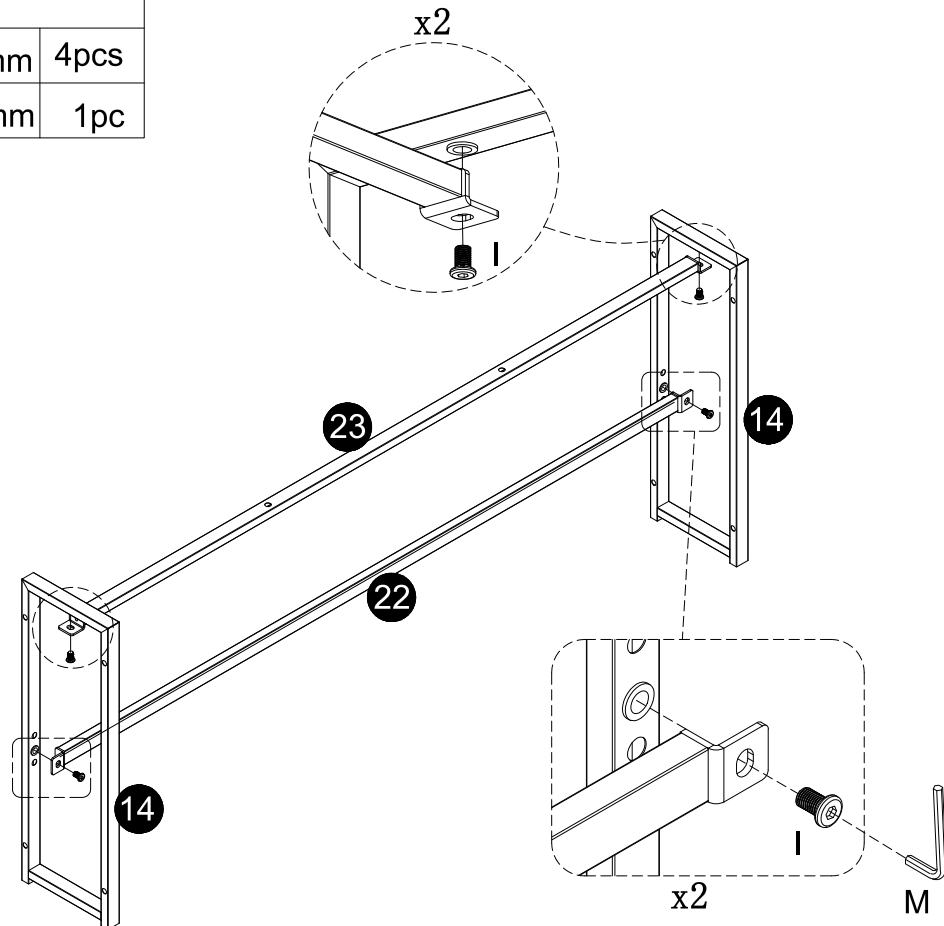


⚠ DUMP WITH CARE




⚠ RECOMMEND 2 OR MORE ADULTS FOR QUICKER ASSEMBLY

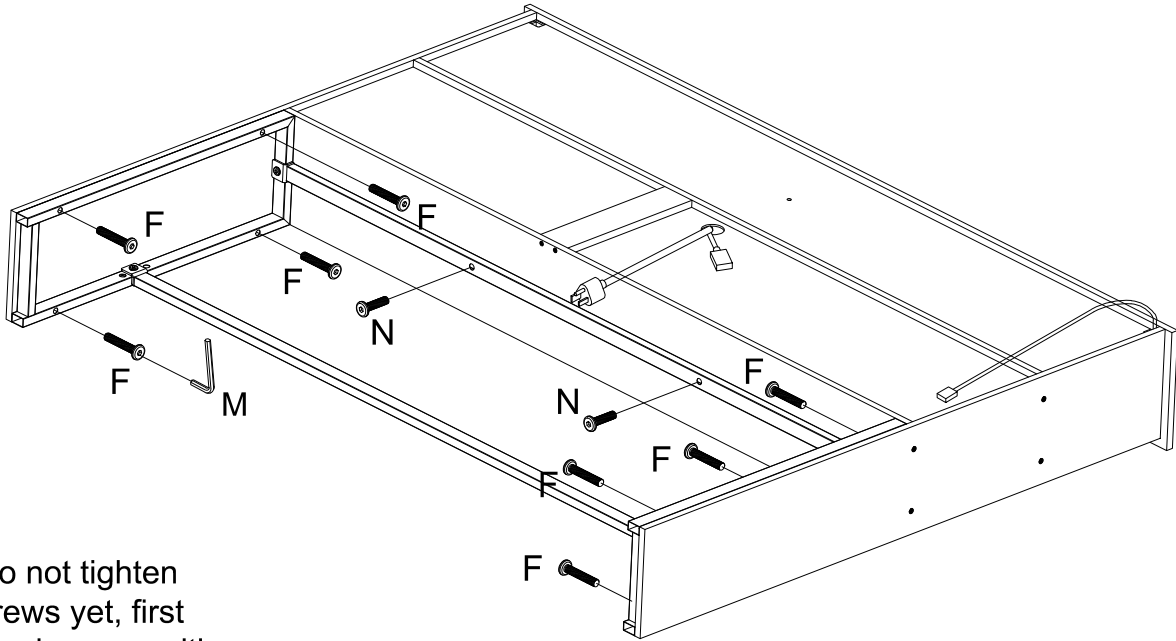
Step 10

I		M8*12mm	4pcs
M		4mm	1pc






Step 11

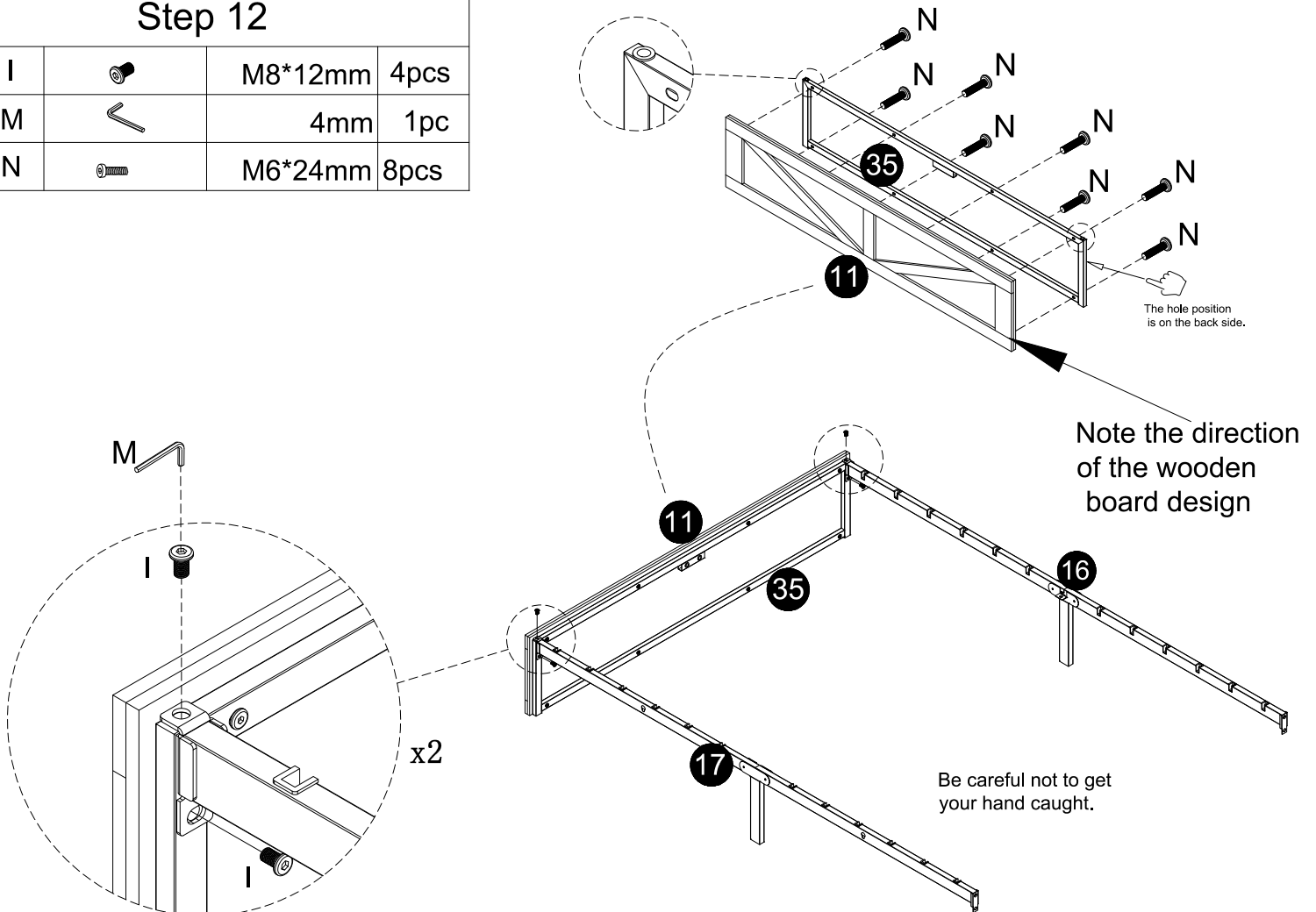
F		M6*34mm	8pcs
M		4mm	1pc
N		M6*24mm	2pcs







Note, do not tighten the screws yet, first align each screw with the holes before tightening.

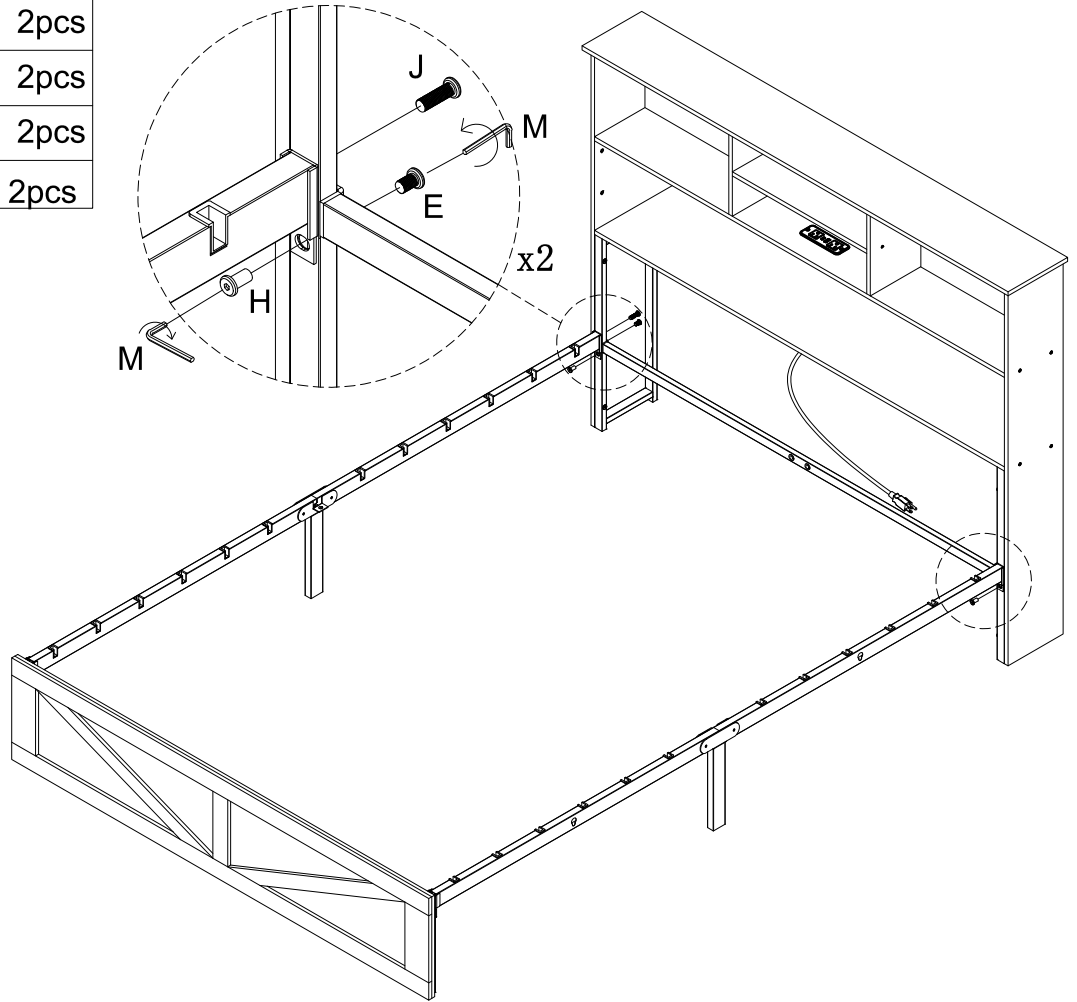
Step 12

I		M8*12mm	4pcs
M		4mm	1pc
N		M6*24mm	8pcs






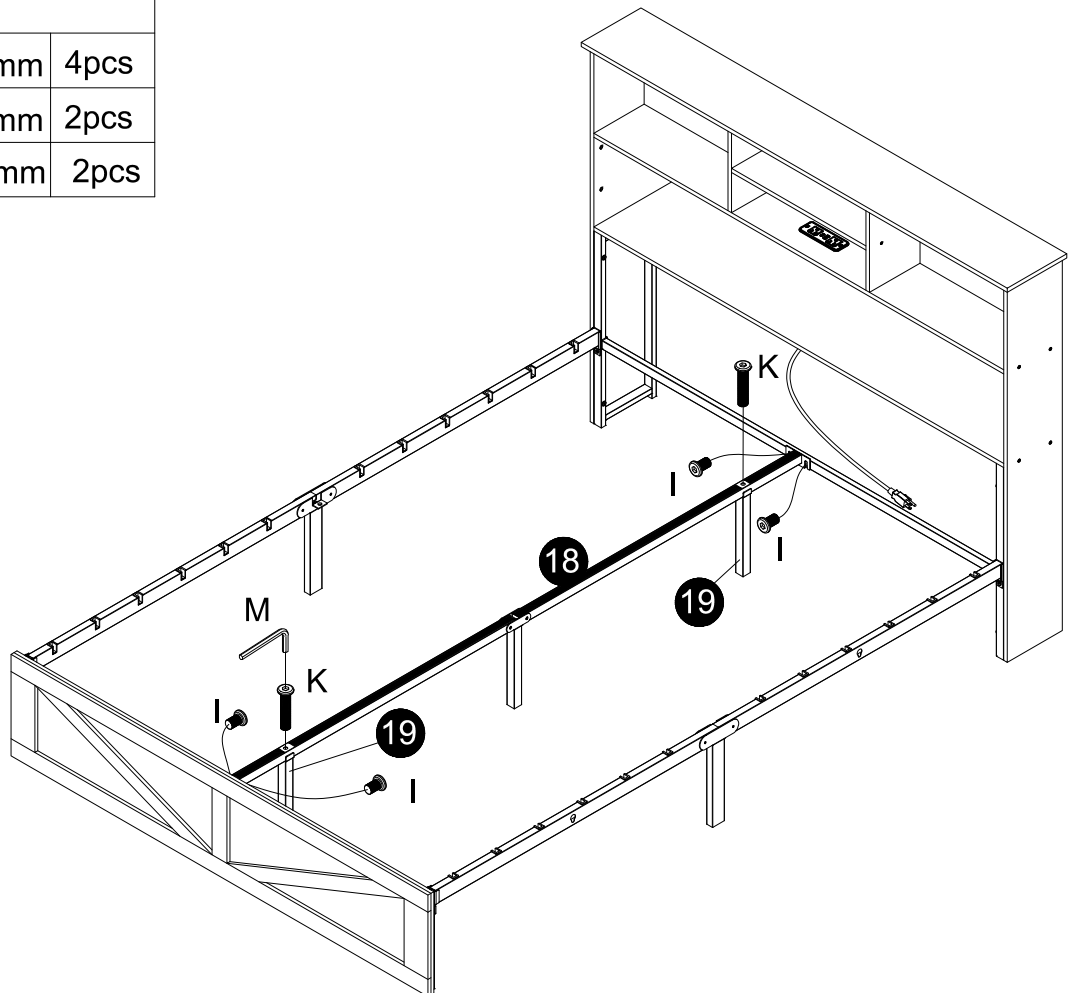
Step 13

E		M6*10mm	2pcs
H		M6*15mm	2pcs
J		M8*25mm	2pcs
M		4mm	2pcs






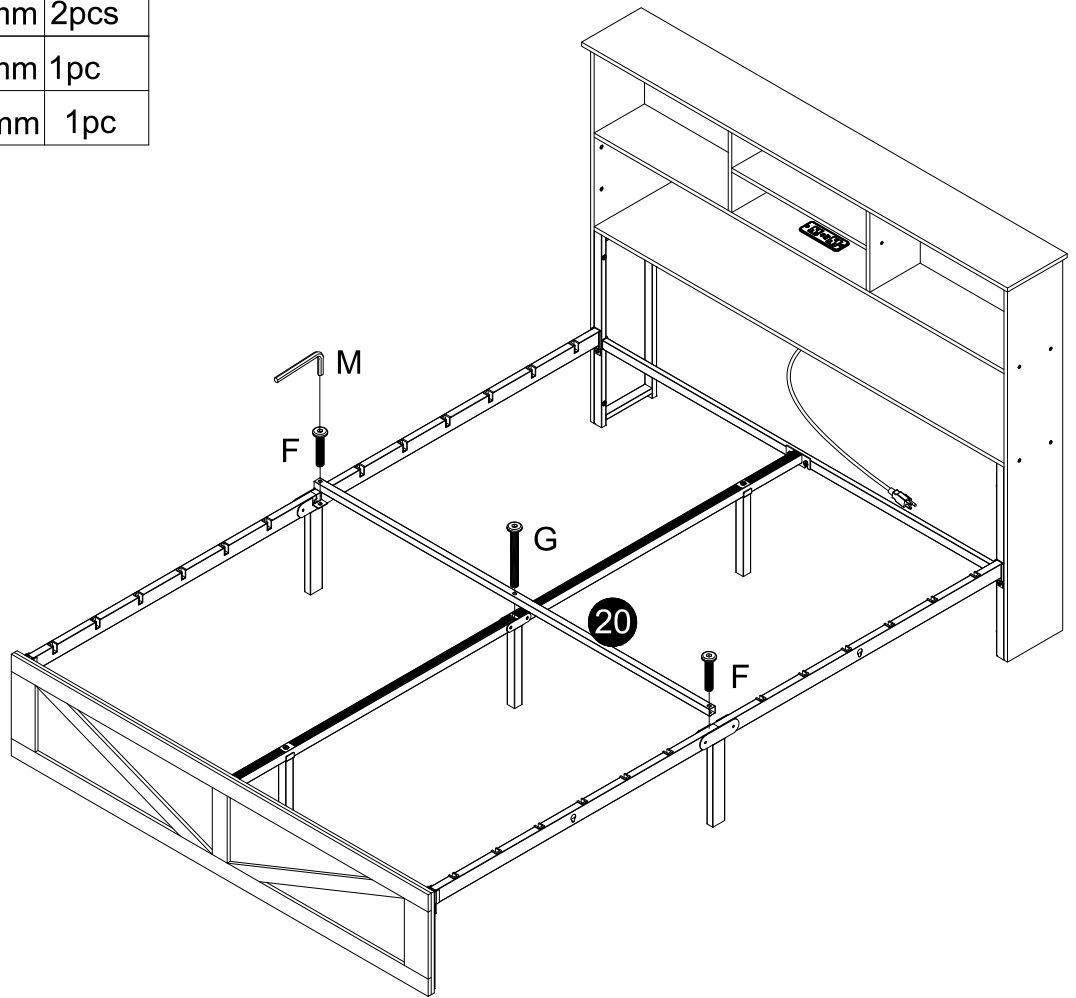
Step 14

I		M8*12mm	4pcs
K		M8*35mm	2pcs
M		4mm	2pcs

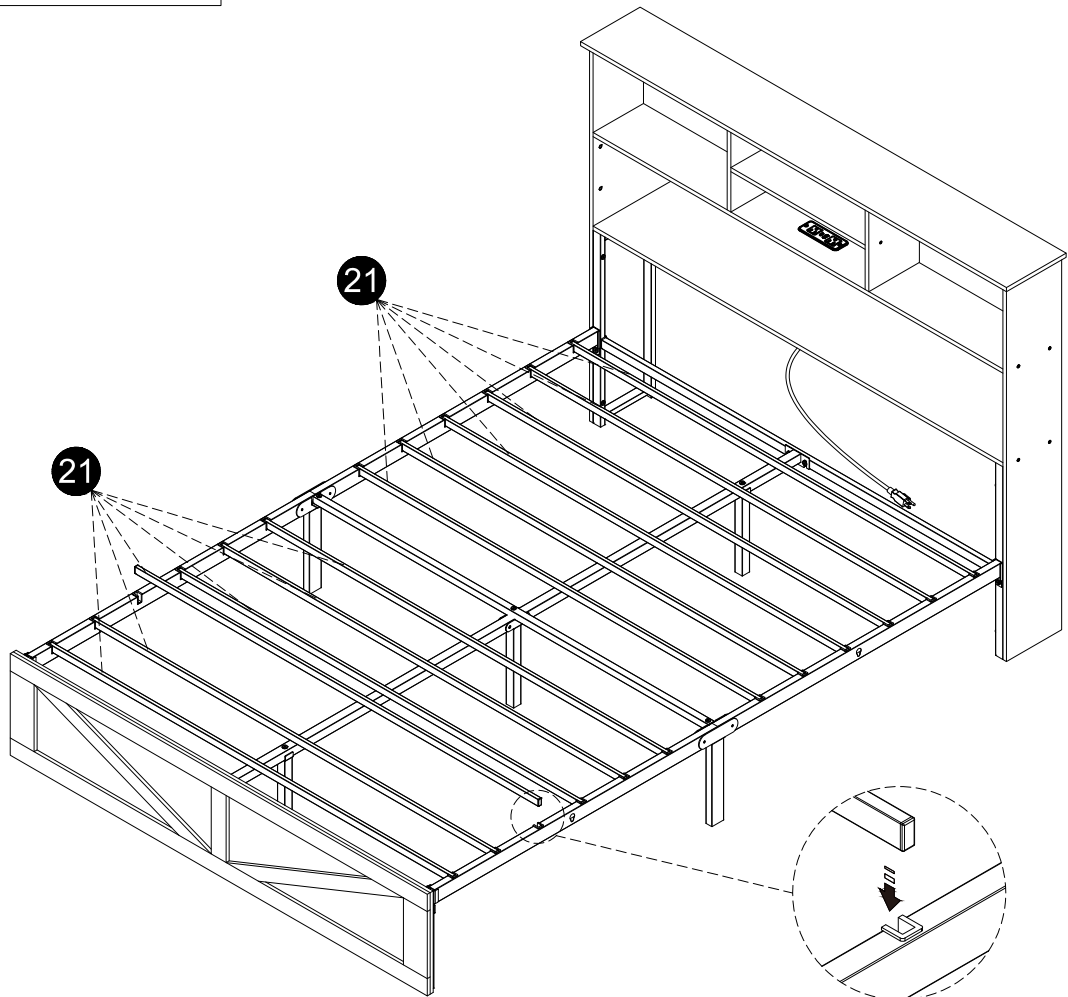


Step 15



F		M6*34mm	2pcs
G		M6*55mm	1pc
M		4mm	1pc

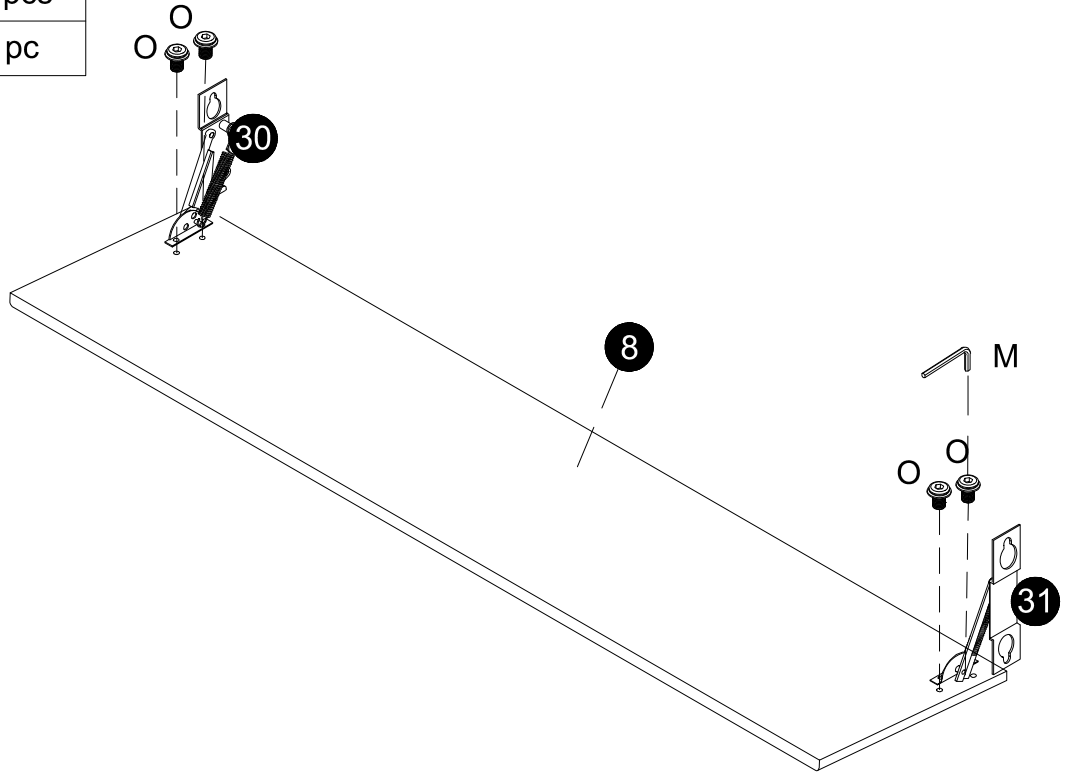


Step 16





Step 17

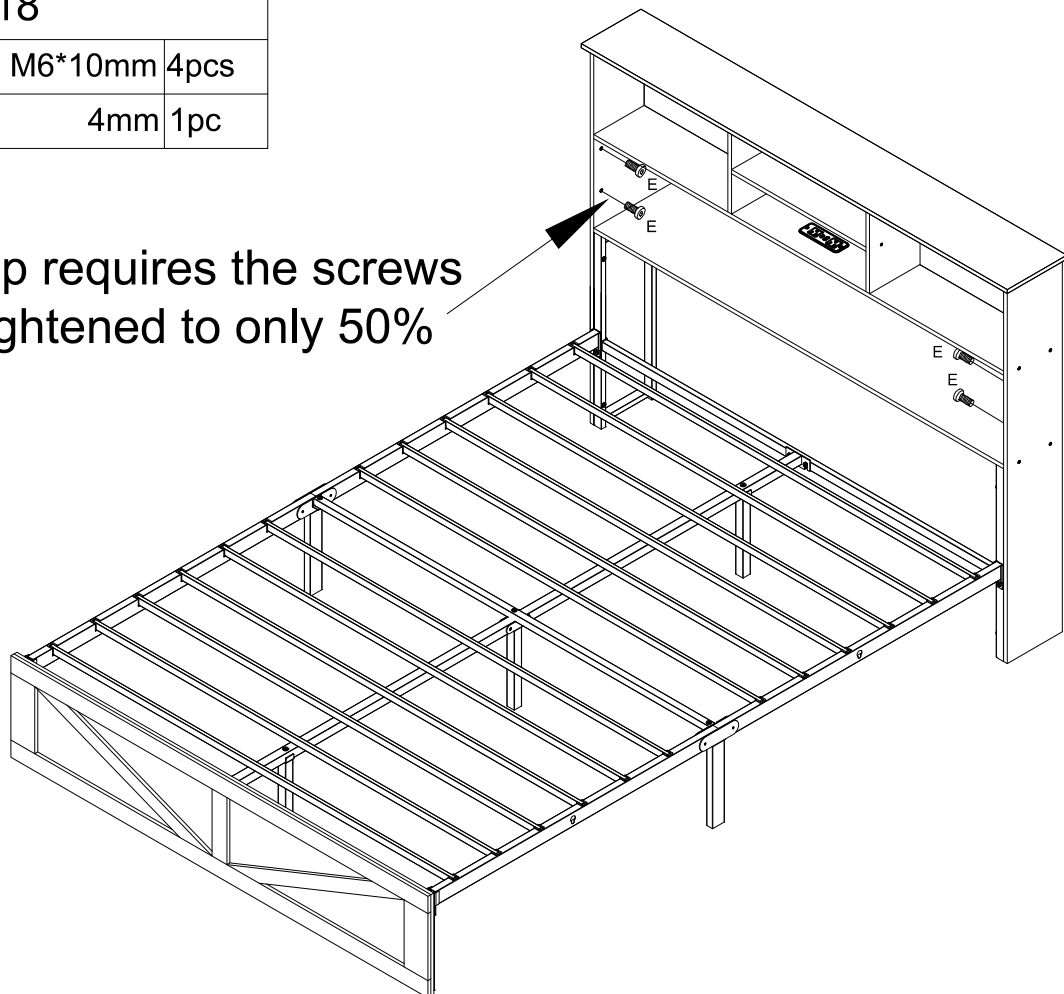
O		M8*10mm	4pcs
M		4mm	1pc



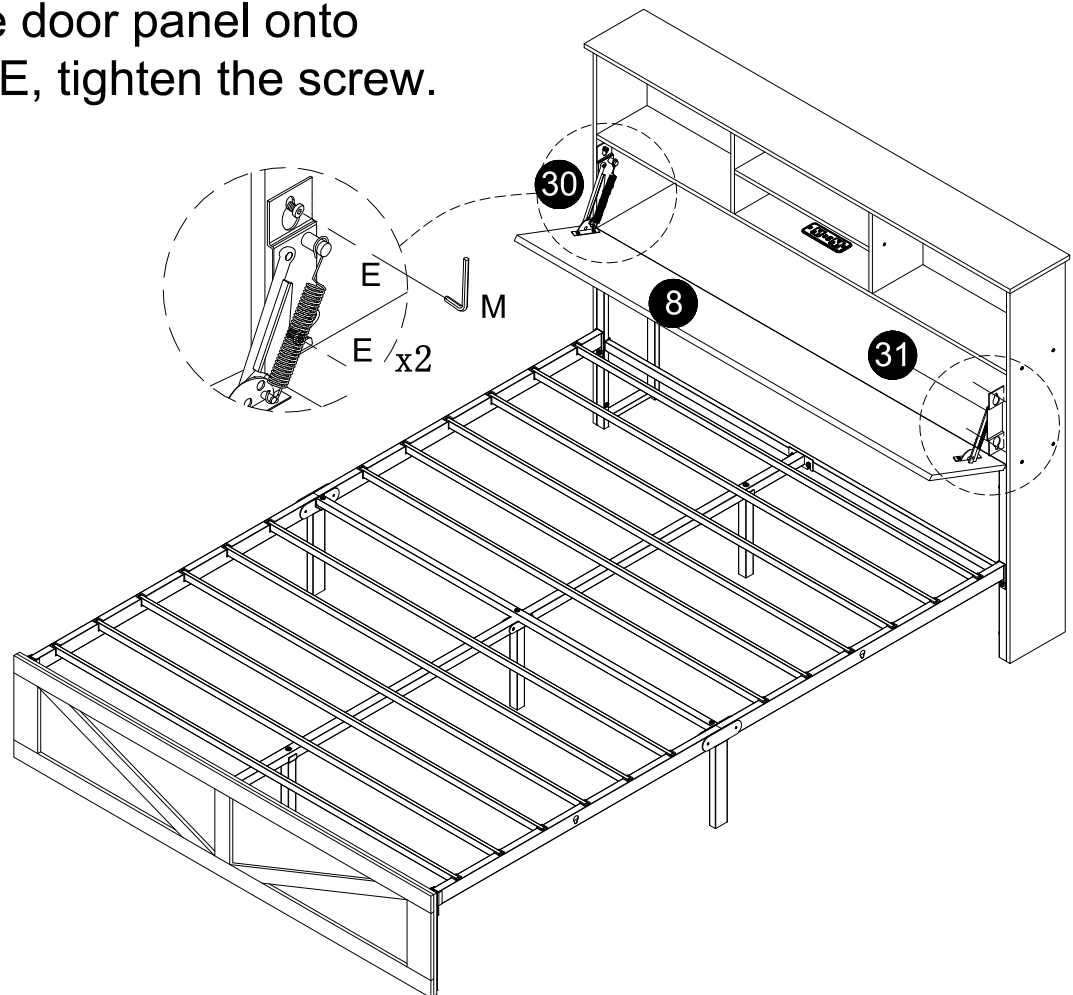
Step 18

E		M6*10mm	4pcs
M		4mm	1pc

This step requires the screws to be tightened to only 50%



After hanging the hinge on the door panel onto screw E, tighten the screw.



! RECOMMEND 2 OR MORE ADULTS FOR QUICKER ASSEMBLY

Step 20

Step:C

Step:B

Step:A

25
x8

26
x4

24
x4



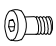
x4

Step:D

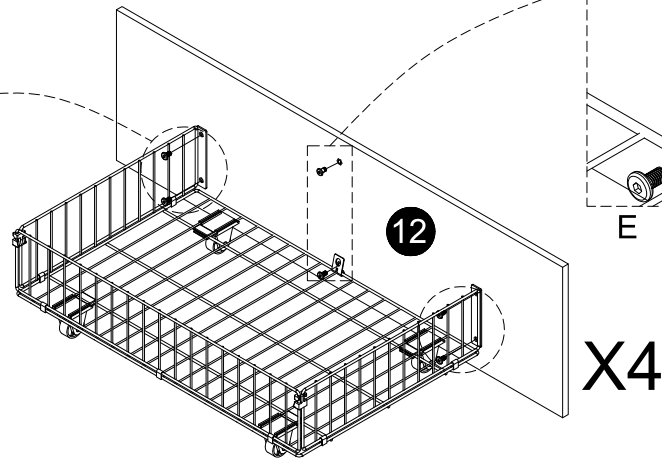
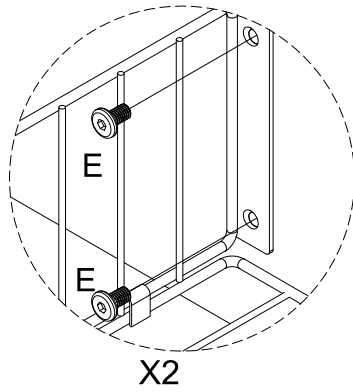
Step:E

27
x4

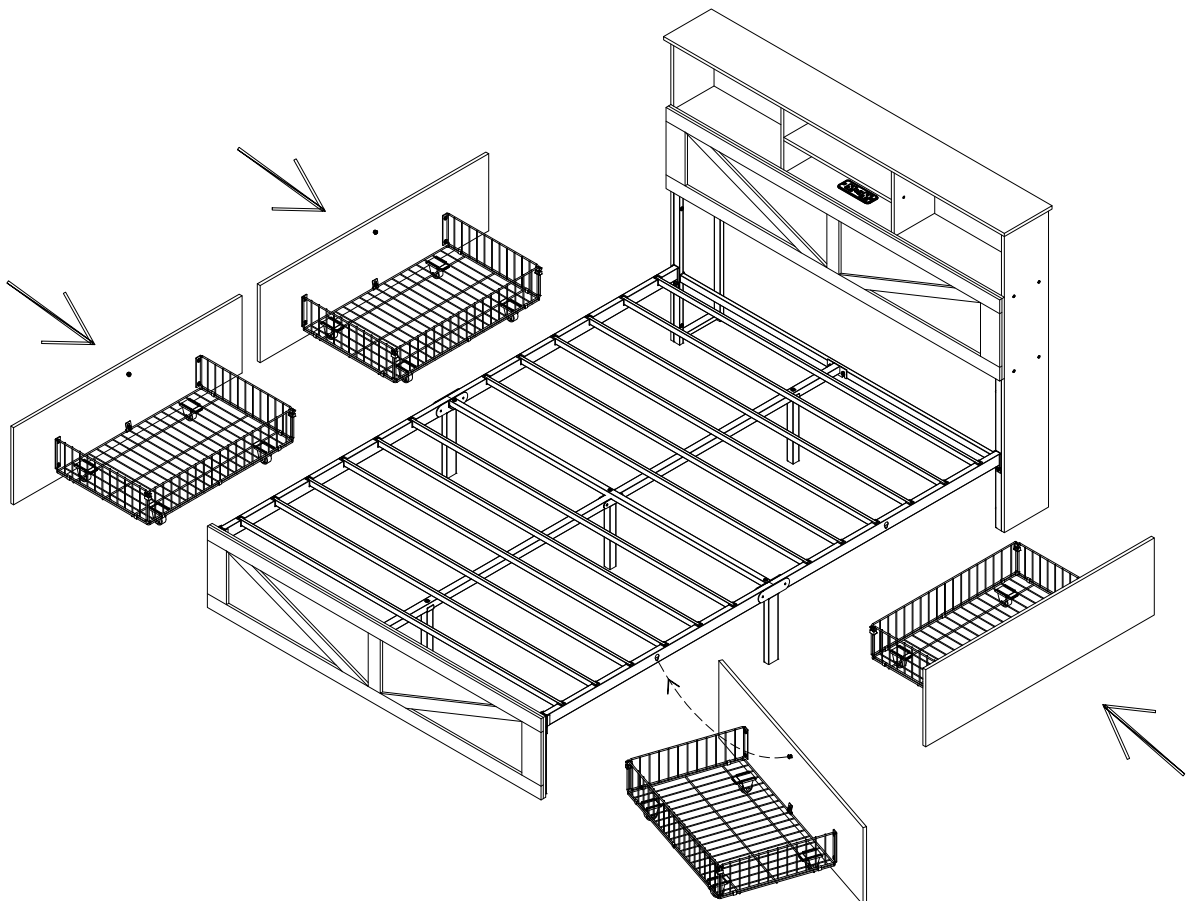
Step 21

E		M6*10mm	20pcs
M		4mm	1pc
Q		M6*15mm	4pcs

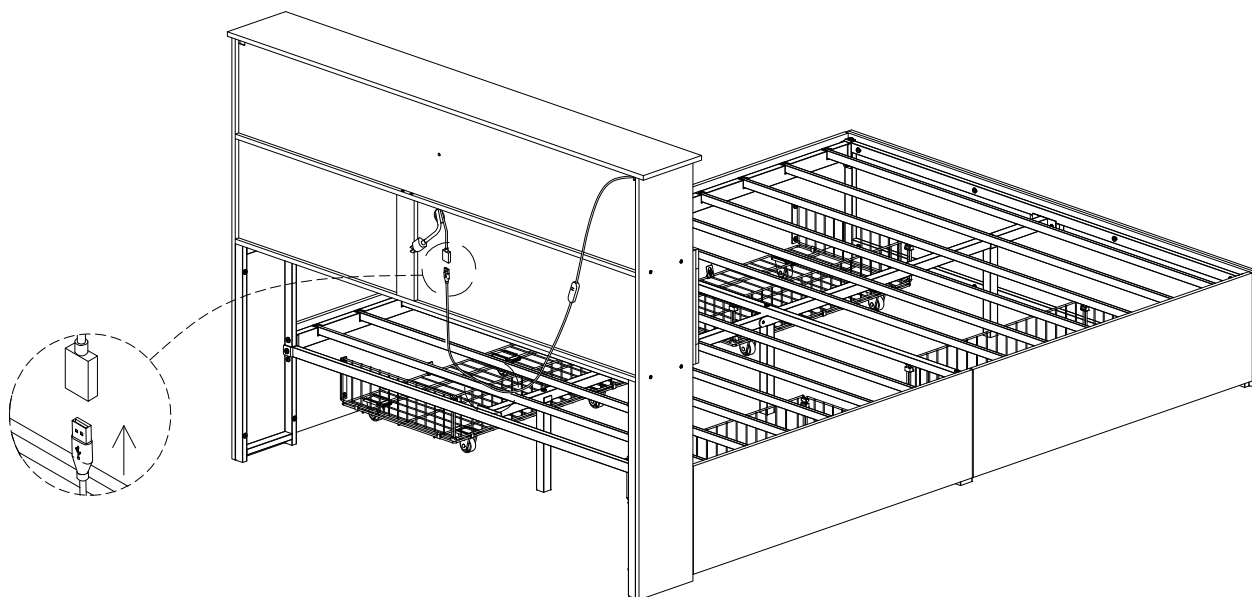
Semi-tooth screw



Step 22



Step 23



Step 24

