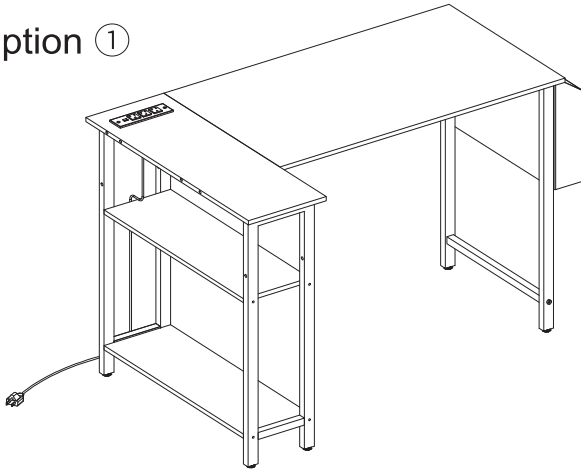
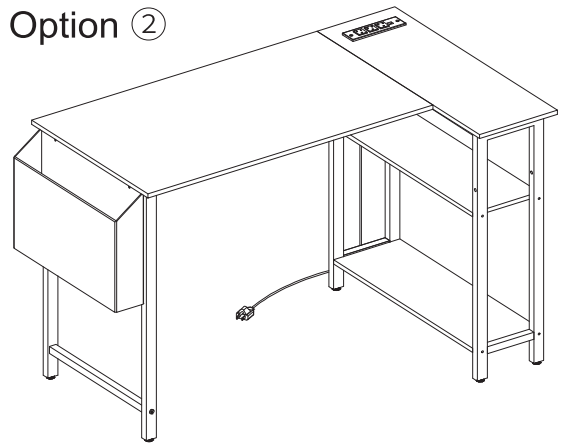


## Important:

### Option ①



### Option ②



1. It's recommended to have two people for the installation, this will significantly improve your efficiency.
2. Before you begin: lay out all of the parts on a non-abrasive surface to identify the number tags in the manual and count before assembly. Please use the screws correctly to avoid popping the desk panel.
3. For a smooth assembly process, we suggest you keep a lite tightness for all the screws during assembly. After the whole desk is assembled, firmly tighten all the screws.

## Parts list

<b>A</b>  x1	<b>B</b>  x1	<b>C</b>  x2	<b>D</b>  x2	<b>E</b>  x1	<b>F</b>  x2		
<b>G</b>  x2	<b>H</b>  x1	<b>I</b>  x2	<b>J</b>  x1	<b>K</b>  x1			
①  M6x50 x2	②  Desktop Lock Specialized M6x38 x4	③  M6x35 x8	④  Desktop Lock Specialized M6x28 x4	⑤  M6x25 x2	⑥  M6x12 x4	⑦  ø8x15 x2	⑧  ø6x40 x8
⑨  ø3.5x12 x2	⑩  M6x40 x4	⑪  ø30xM6x15 x6	⑫  ø10 x4	⑬  M4 x1	⑭  M4 x1		

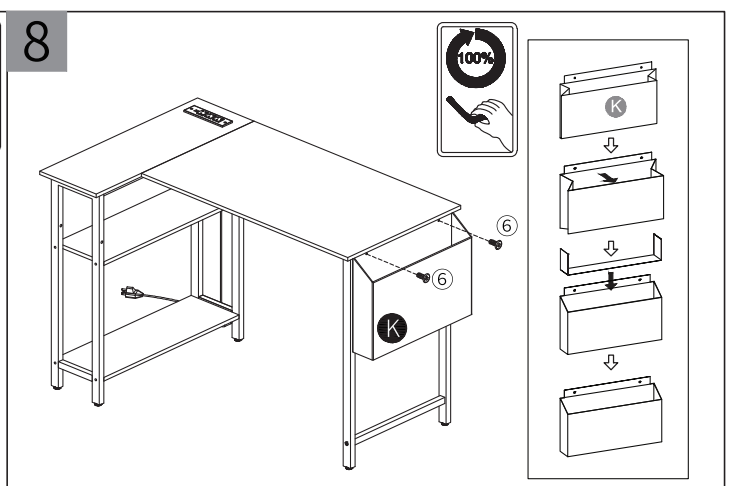
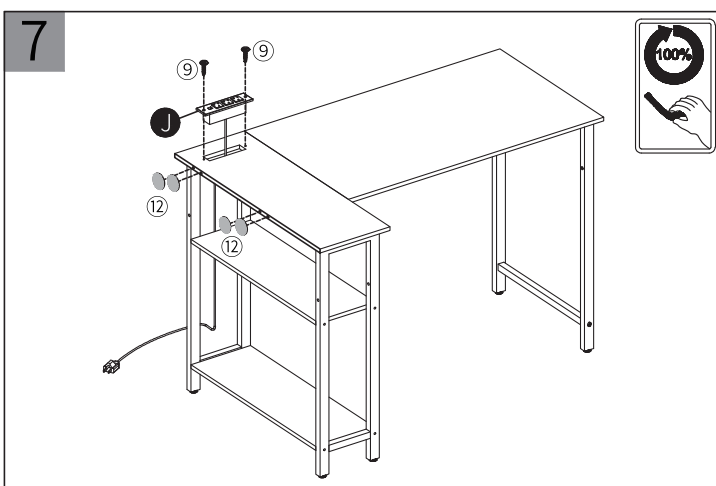
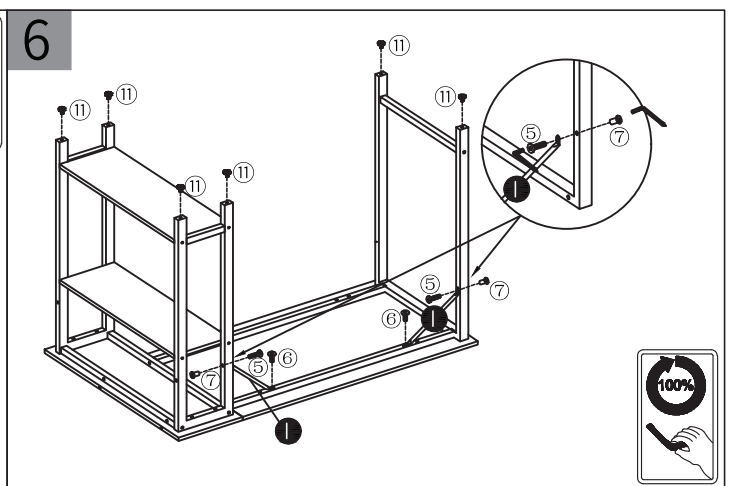
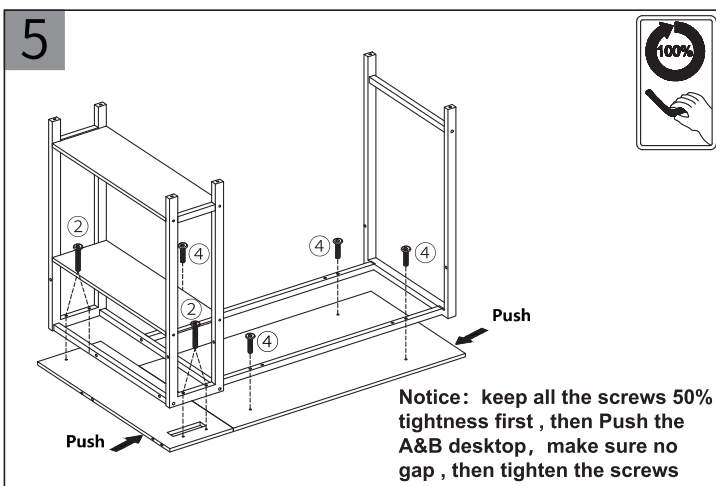
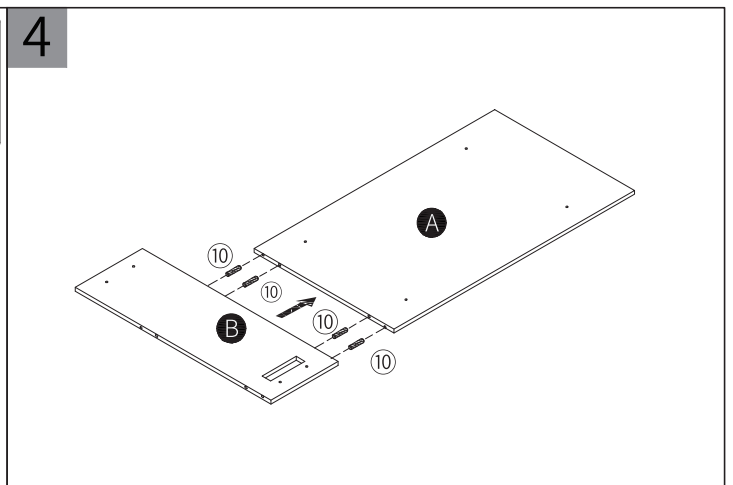
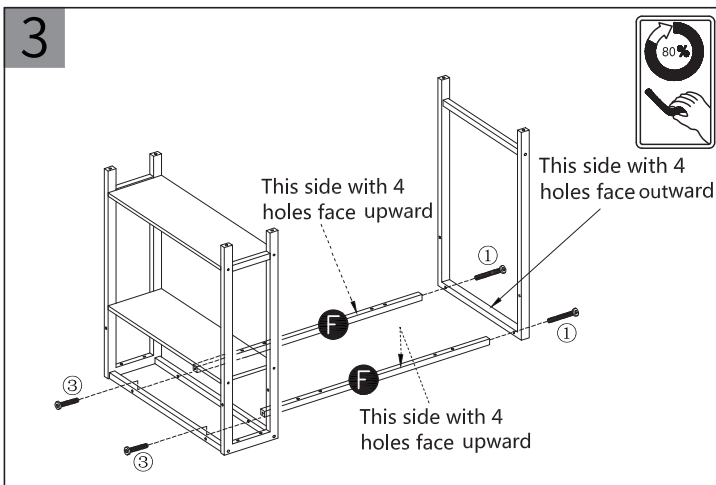
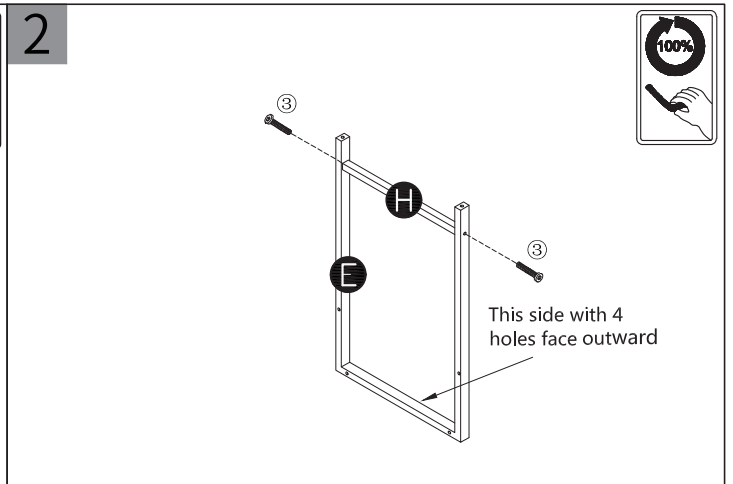
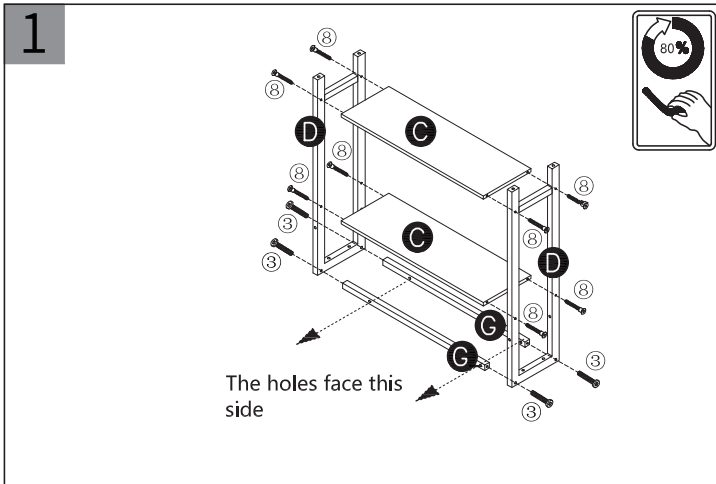
⚠️Note: The desktop can only be fixed with **screws ② and ④ with different colors!**  
Please use the correct screws for assembling.

Thank you for choosing our product.

Please share your product experience if you are happy with it. Feel free to contact us in case of any problem regarding assembling or the product itself.

Your satisfaction is our highest pursuit.

# Assembly Instruction: Option ①



# Assembly Instruction: Option ②

