

USER MANUAL

PATIO UMBRELLAS

INTRODUCTION

Thank you for choosing our products. Please read the instructions carefully and keep them for future reference. If you need further assistance, please contact our customer service online via email.

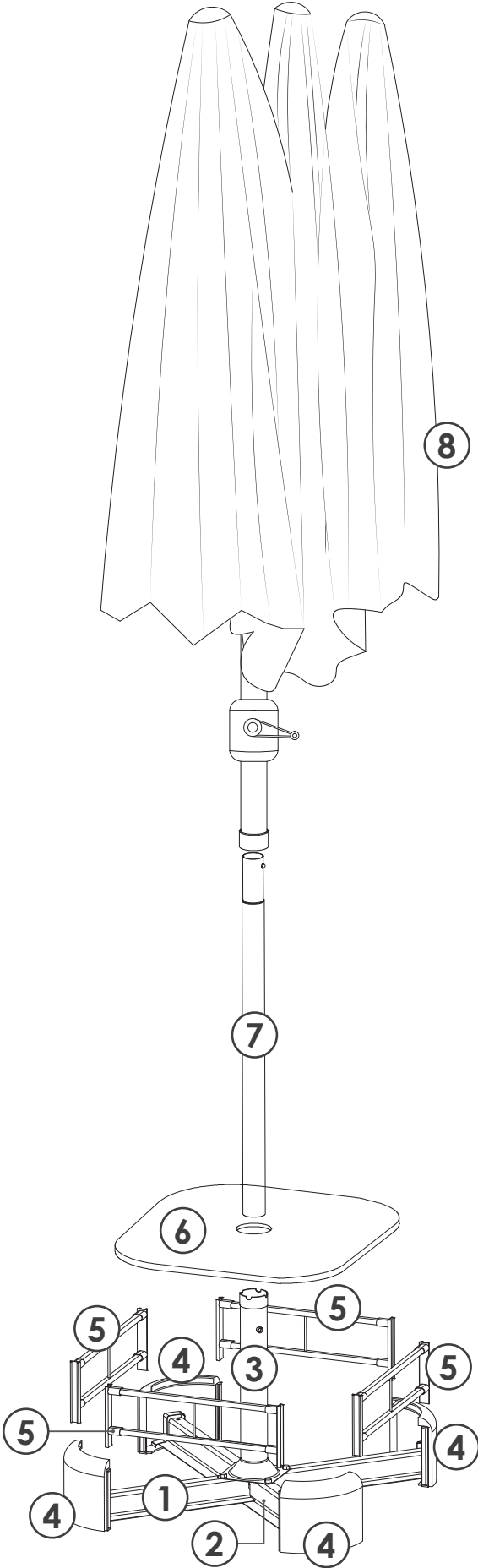
PRECAUTIONS

1. When installing the product, use a soft underlay (such as carpet or cardboard) to avoid scratching or damaging the surface of the product.
2. Please try to use a manual screwdriver instead of electric screw driver. A manual screwdriver can be used to better control the tightness of the screws.
3. Do not use any glue.
4. The product is unstable before it is assembled. Please pay attention to the product installation sequence.
5. The structure of this product can not meet the requirements of the placement of heavy items and children climbing.

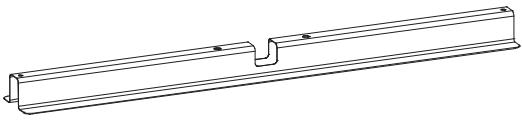
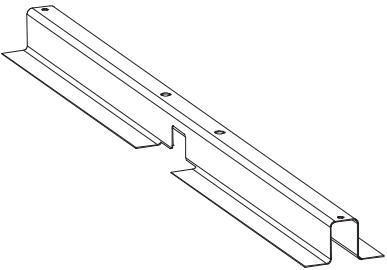
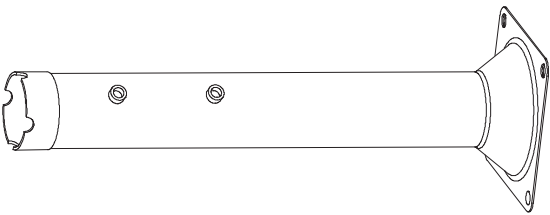
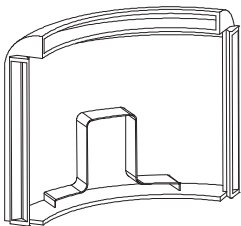
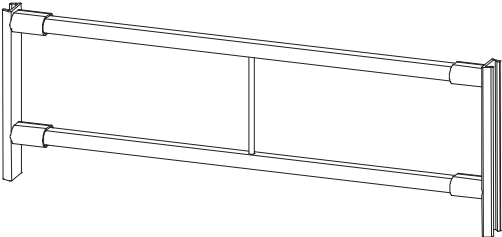
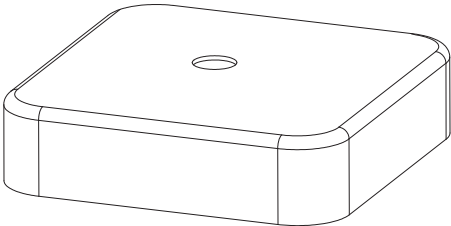

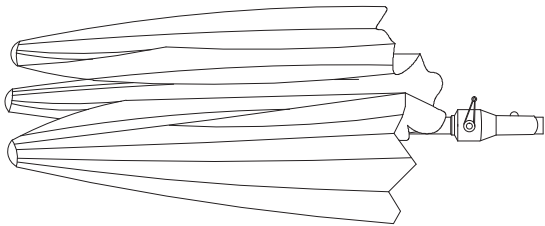
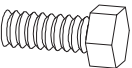

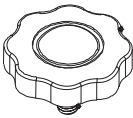
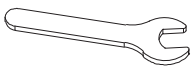

WARRANTY

We provides an **18 Month** Warranty on all products starting from the date of original purchase. If the product has any manufacturing defect, please contact customer service via email with your order number and other details to the problem. We will send you further information about the return or exchange.

PLATE NUMBER

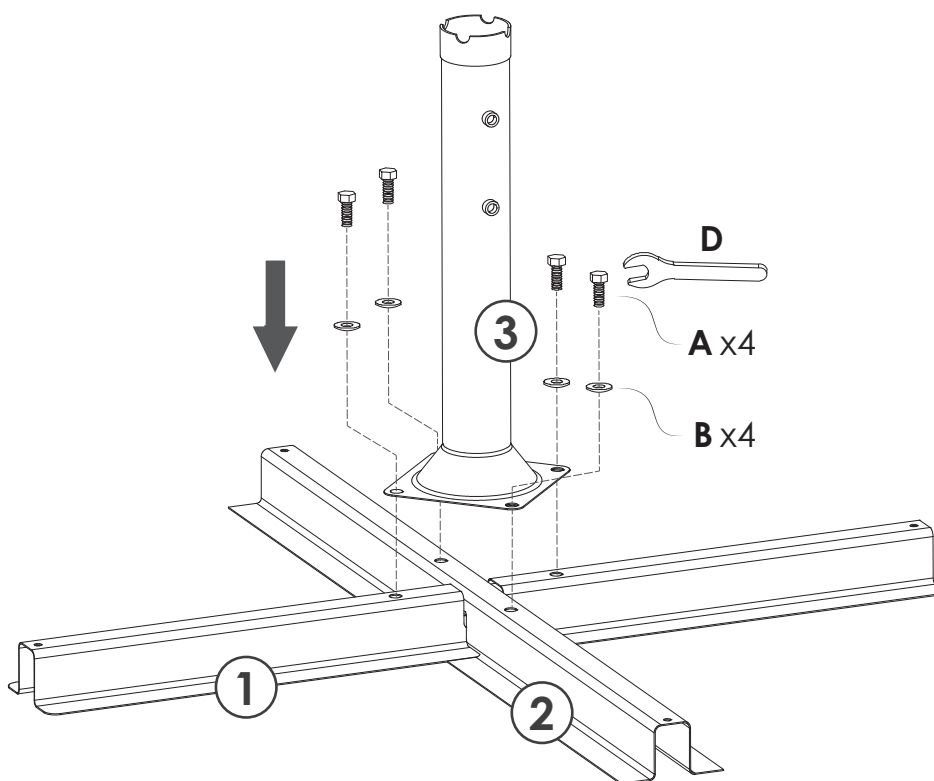
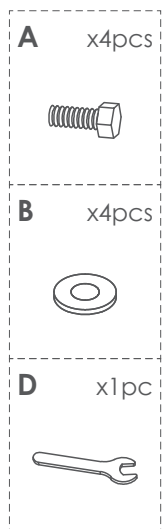


HARDWARES LIST

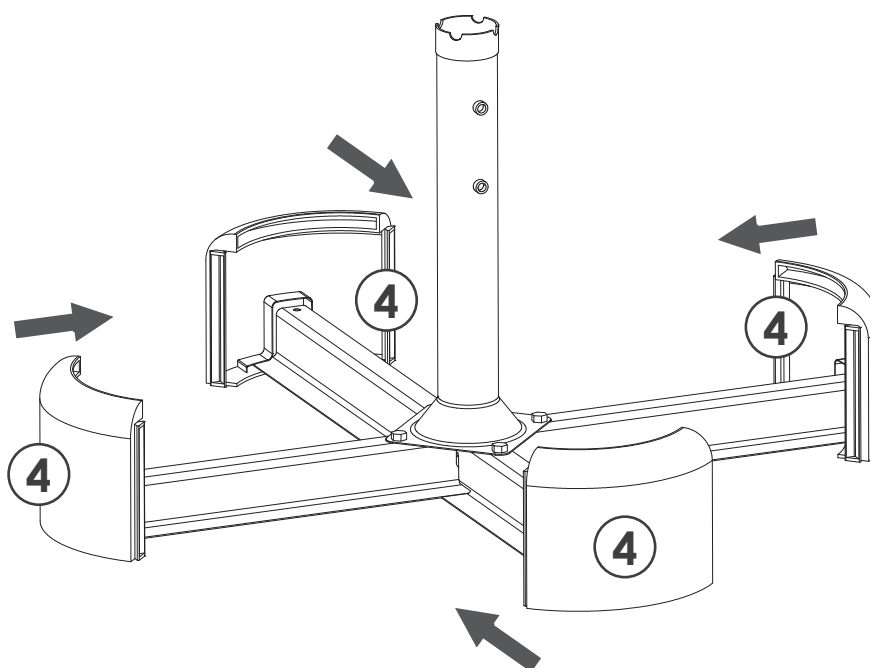
<p>① x1</p> 	<p>② x1</p> 			
<p>③ x1</p> 	<p>④ x4</p> 			
<p>⑤ x4</p> 	<p>⑥ x1</p> 			
<p>⑦ x1</p> 	<p>⑧ x1</p> 			
<p>Ⓐ x4</p> 	<p>Ⓑ x4</p> 	<p>Ⓒ x2</p> 	<p>Ⓓ x1</p> 	<p>Ⓔ x2</p> 

INSTALLATION INSTRUCTION

01



02



03

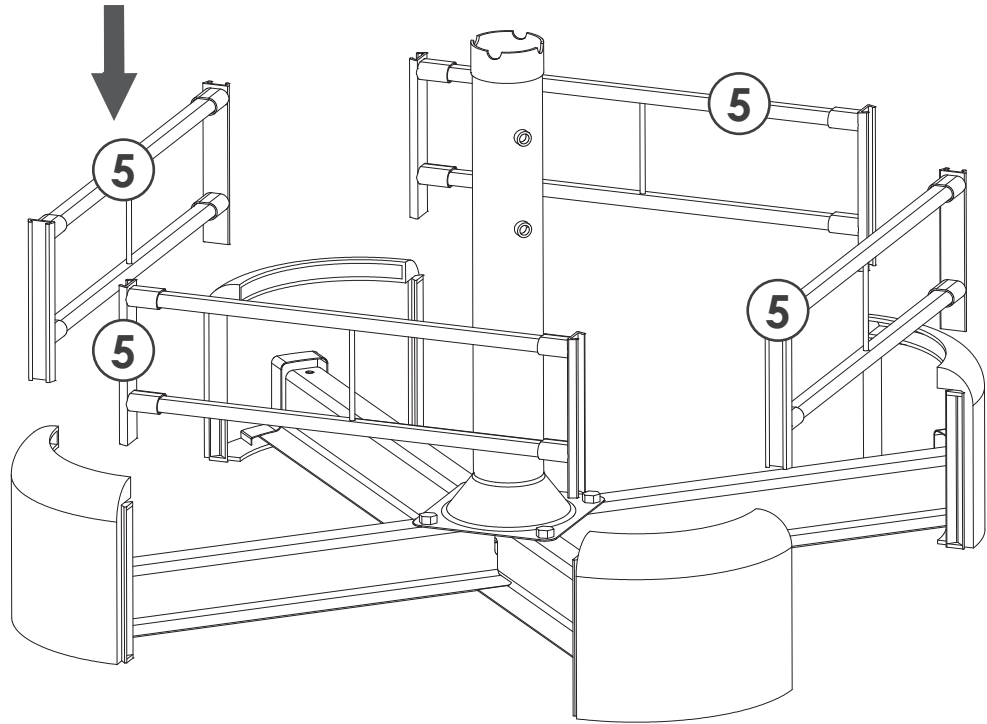
A x4pcs



B x4pcs



D x1pc

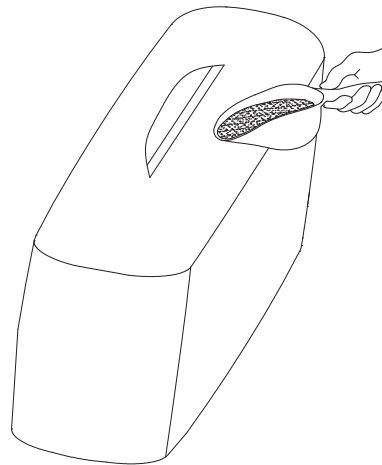
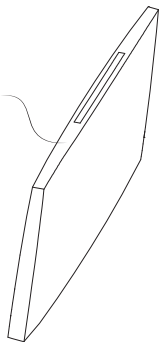


04

E x4pcs

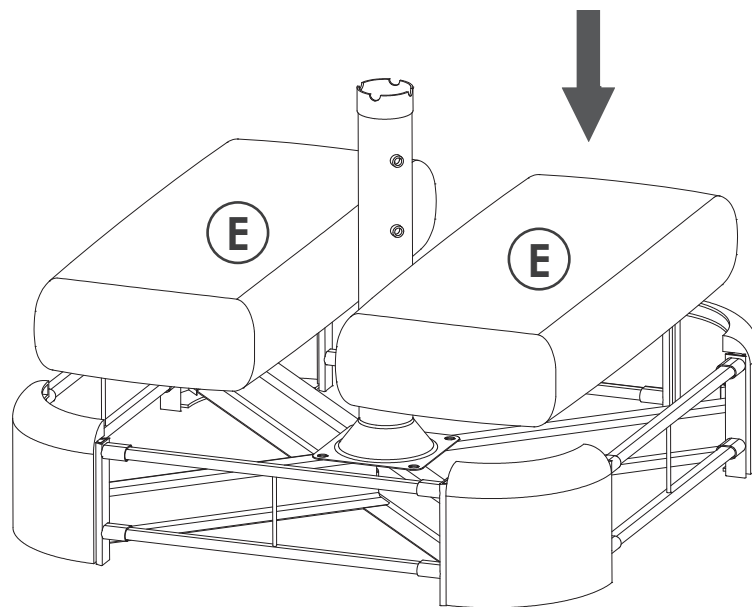


E x2

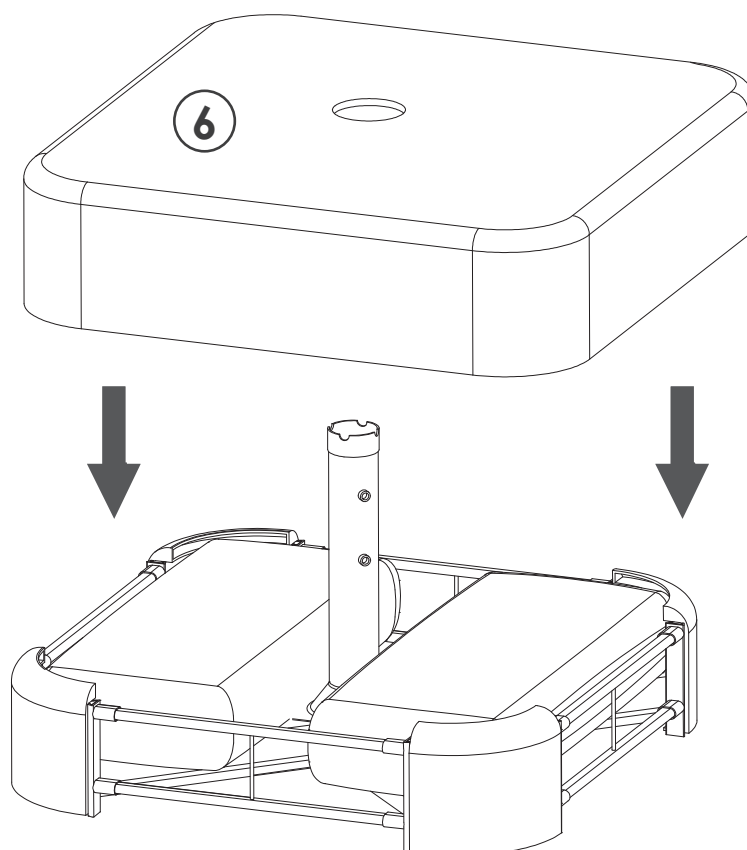


Pour in sand

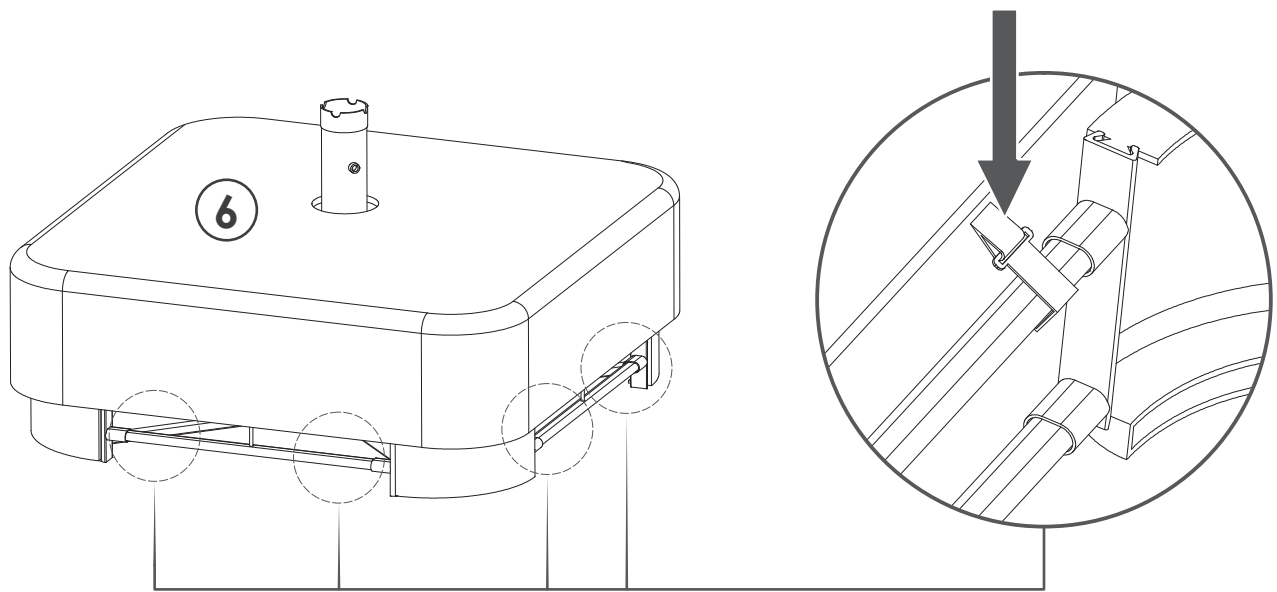
05



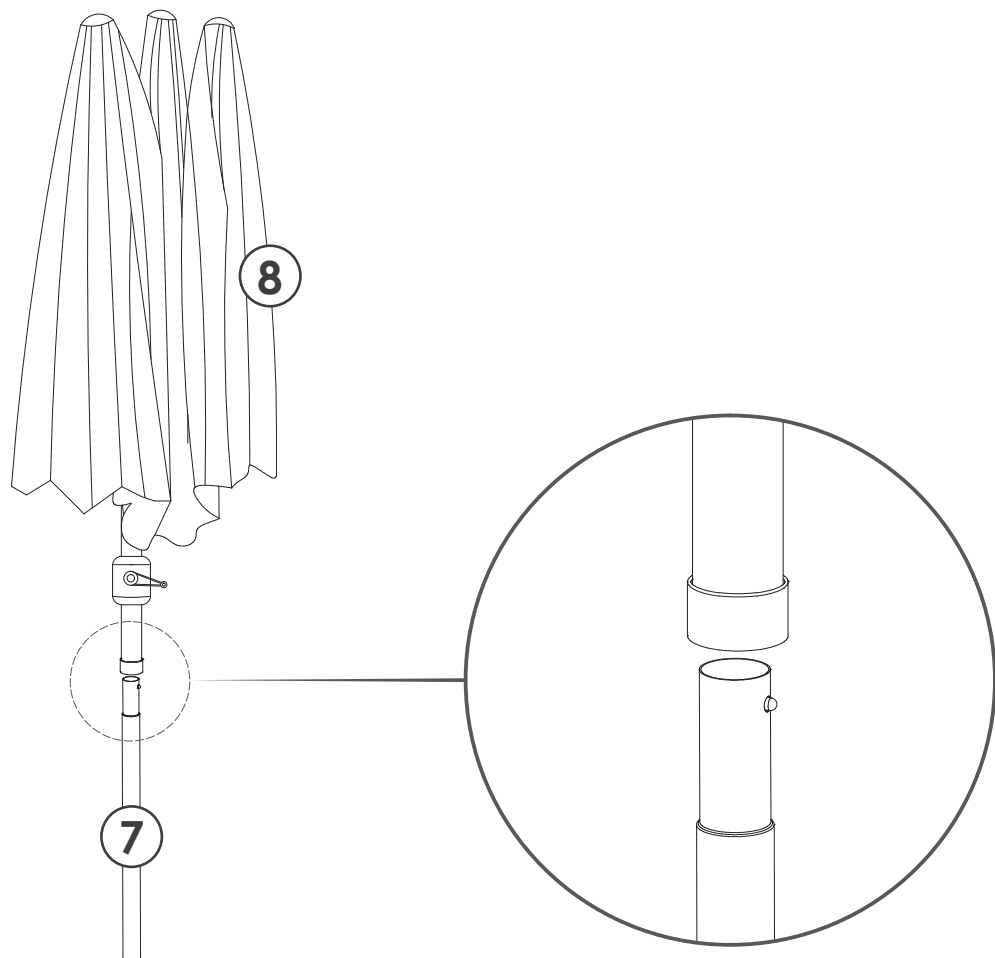
06



07

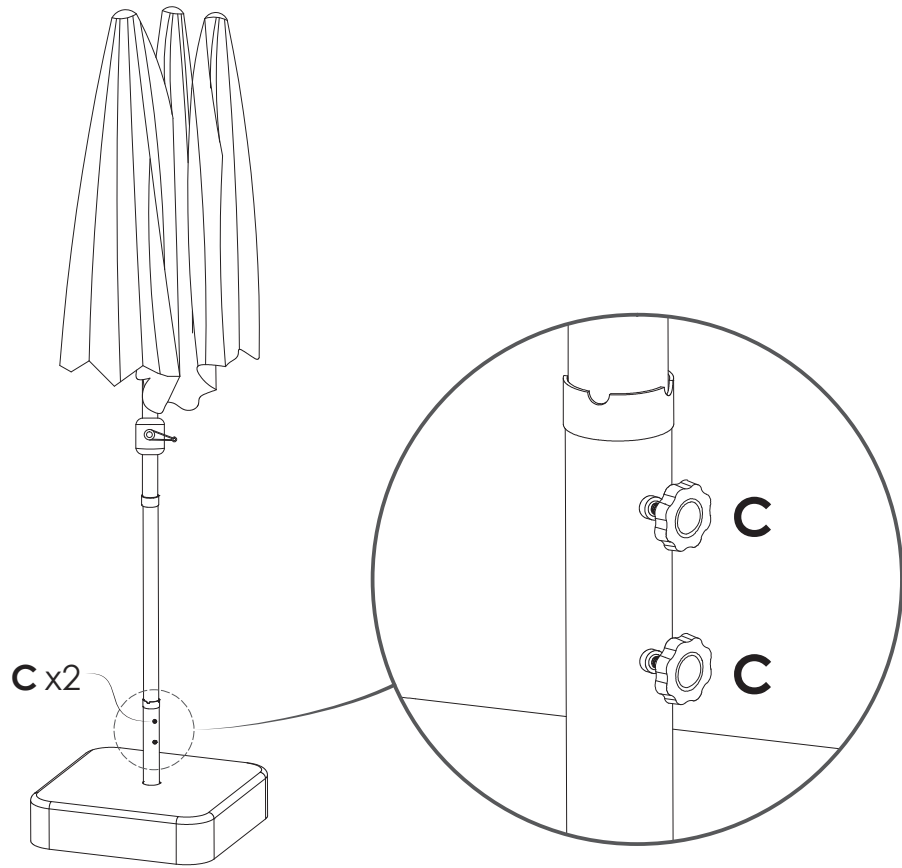


08



09

C x4pcs



10

