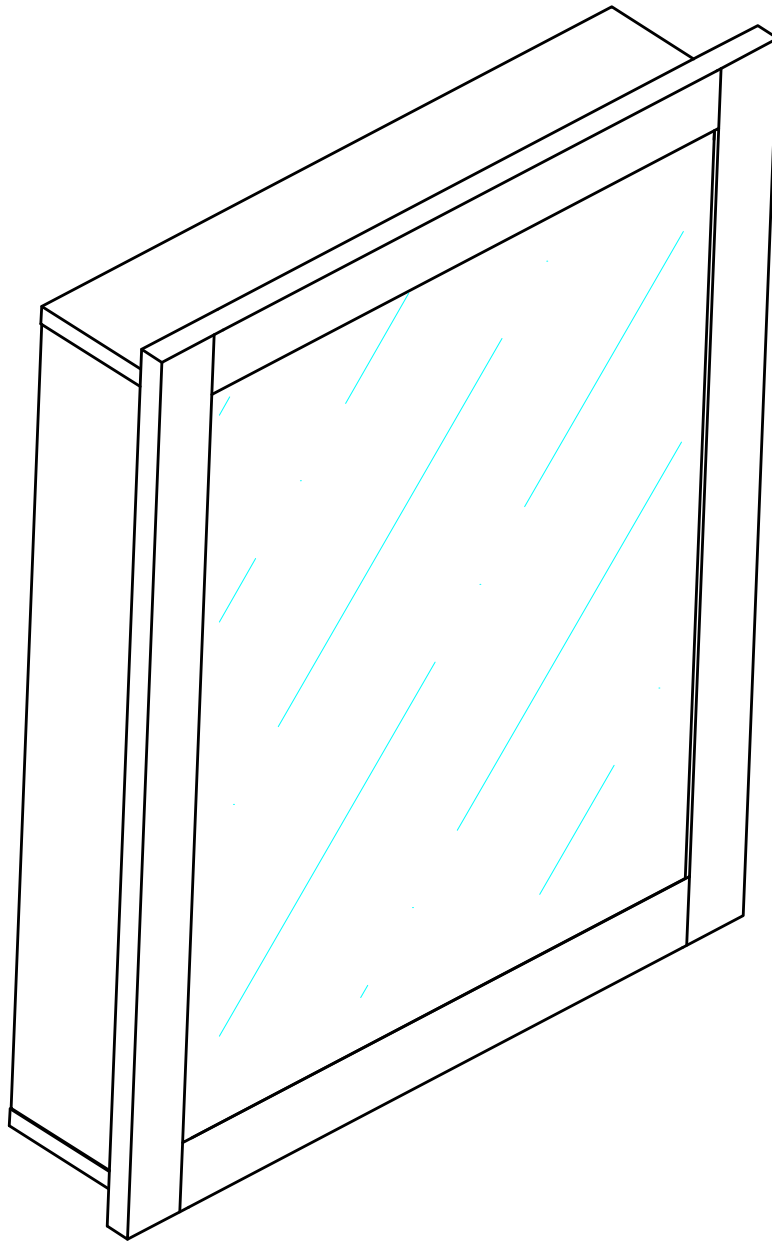


Owner Manual

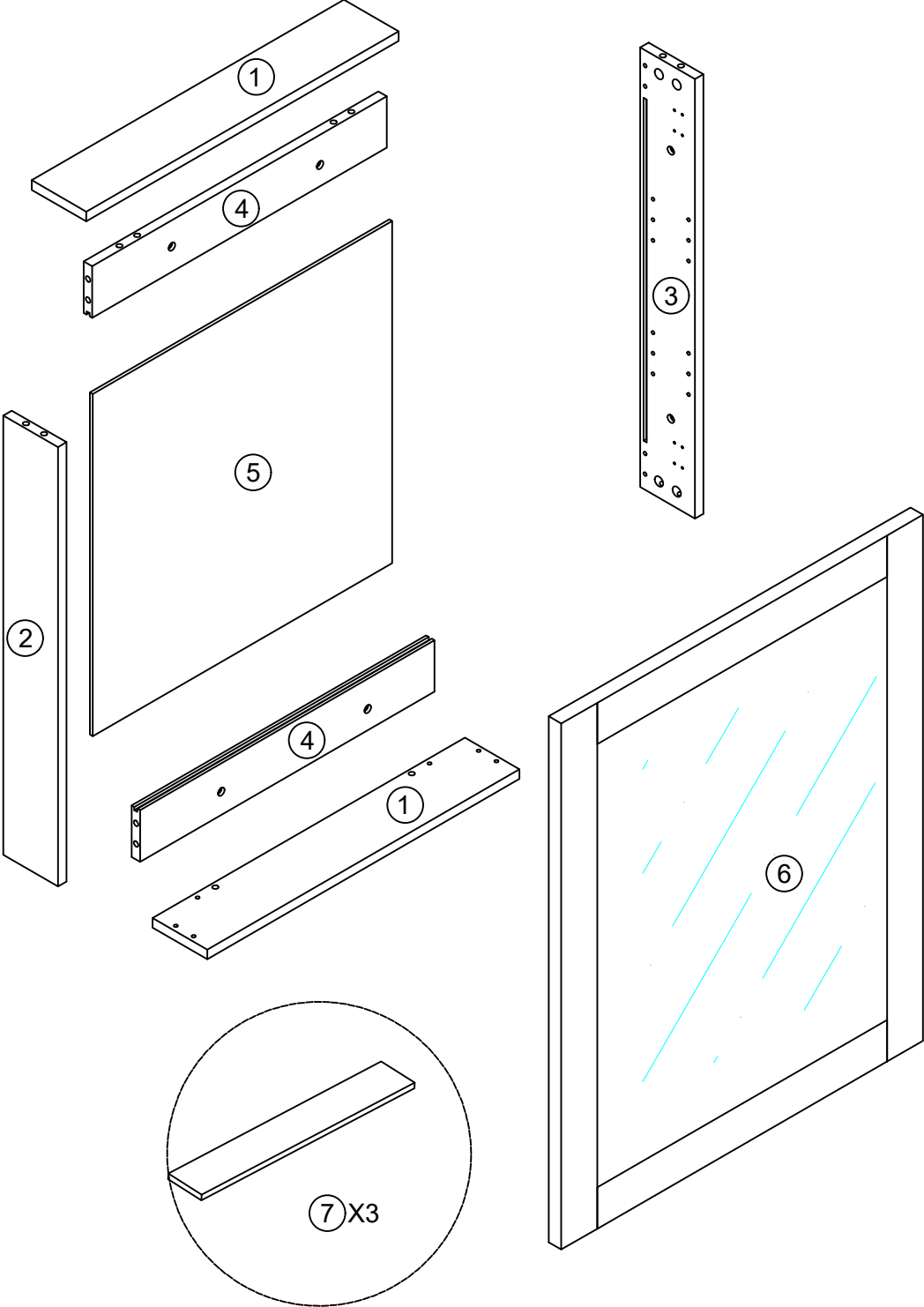
Mirror Medicine Cabinet

SIZE: 24"Wx30"Hx5"D (LARGE)



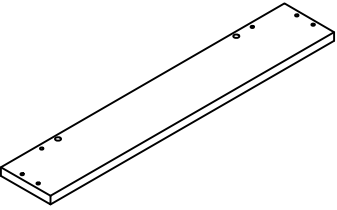
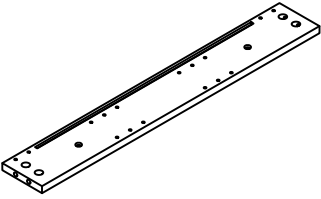
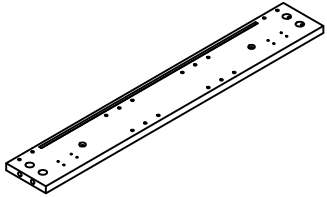
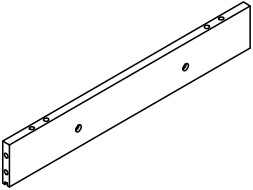
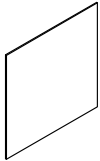
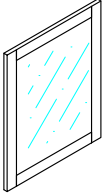
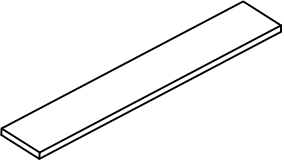



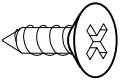
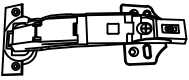
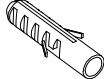

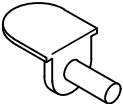

Installation Manual

Exploded Diagram



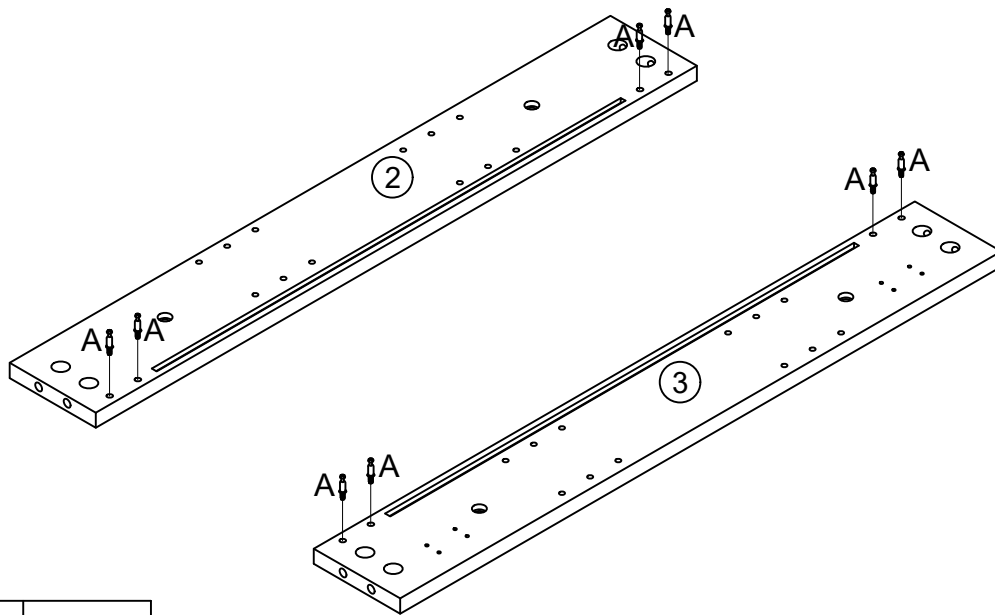
Assembling Instruction

Attention: Do not tighten the screws until all of them are in right positions

 <p>Top/Bottom Panel ① X2</p>	 <p>Side Panel ② X1</p>	 <p>Hinge Side Panel ③ X1</p>
 <p>Rear Support Rails ④ X2</p>	 <p>Back Panel ⑤ X1</p>	 <p>Mirror Door ⑥ X1</p>
 <p>Cabinet Shelves ⑦ X3</p>		
<p>A</p>  <p>Connector Screws (20 + 2 PCS)</p>	<p>B</p>  <p>Locking Screws (20 + 2 PCS)</p>	<p>C</p>  <p>Wooden Dowels (4 + 1 PCS)</p>
<p>D</p>  <p>Self-Tapping Screws (12 + 2 PCS)</p>	<p>E</p>  <p>Soft-Close Hinges (2 PCS)</p>	<p>F</p>  <p>Plastic Wall Anchors (6 PCS)</p>
<p>G</p>  <p>Mounting Screws for Wall Anchors (6 PCS)</p>	<p>H</p>  <p>Shelf Pins (12 PCS)</p>	<p>I</p>  <p>Screw Hole Covers (18 + 2 PCS)</p>

Step:1.1

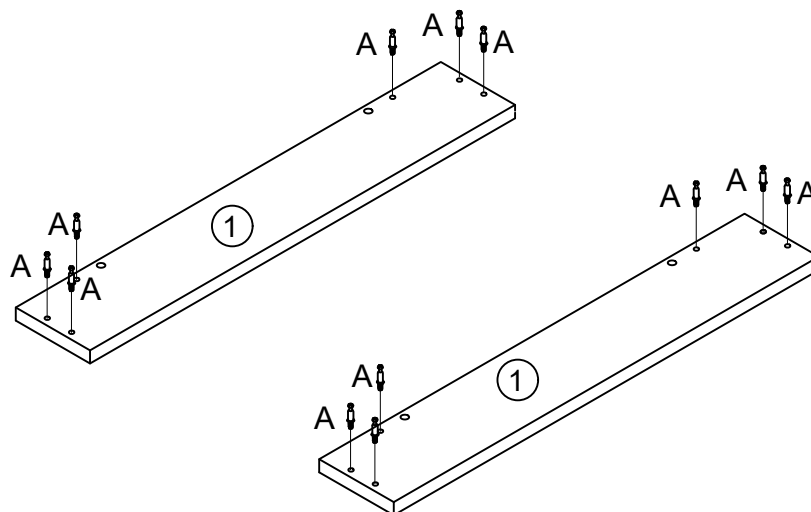
Insert connector screws (A) into the pre-drilled holes on the side panels ②, ③



A x8PCS

Step:1.2

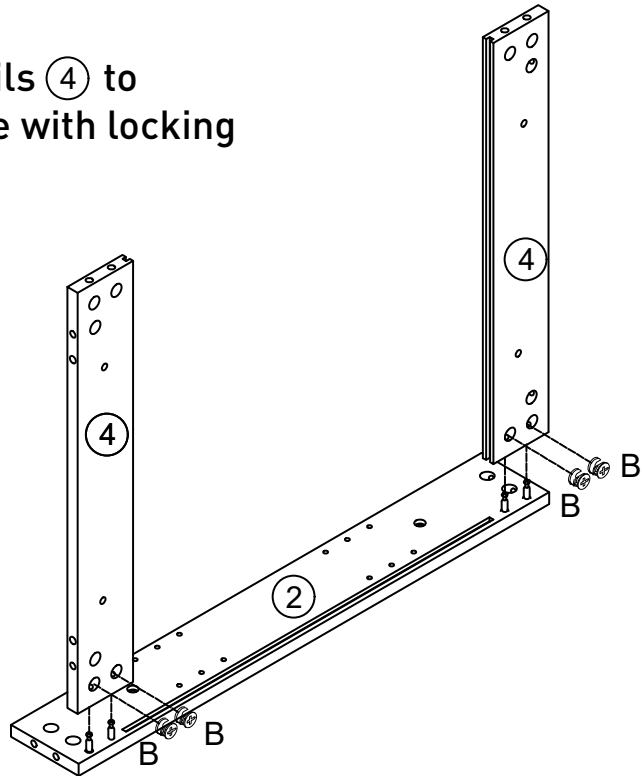
Insert connector screws (A) into the pre-drilled holes on the top/bottom panel ①



A x12PCS

Step:2

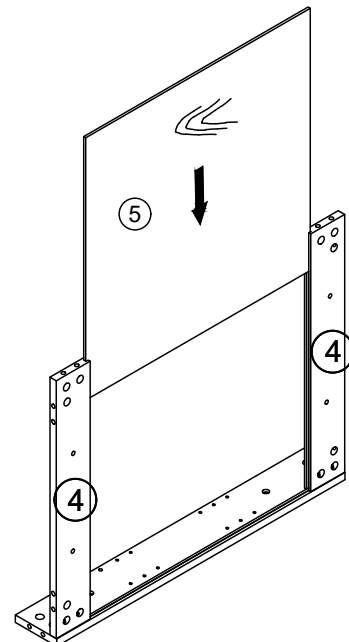
Connect the rear support rails ④ to the side panel ② and secure with locking screws (B).



B x4PCS

Step:3

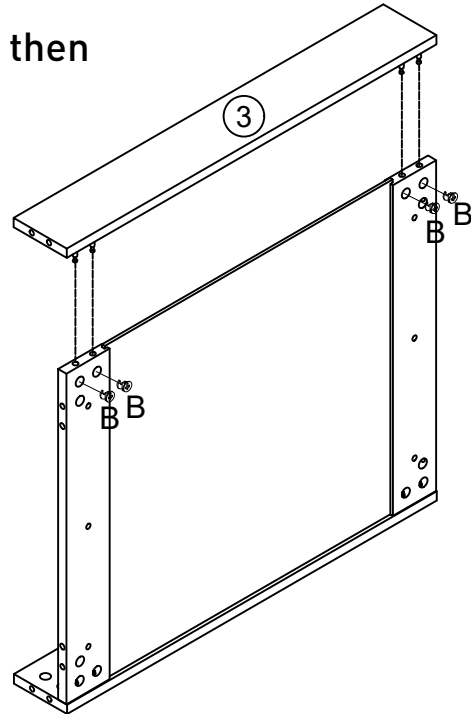
Slide the back panel ⑤ between the rear support rails ④ along the guide grooves.



Note: Ensure the grain direction of panel ⑤ is the same as that of rails ④ .

Step:4

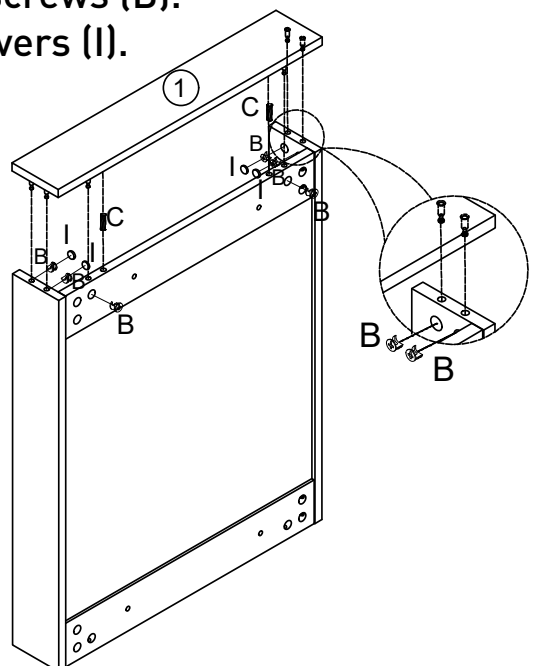
Connect side panel ③ to the structure, then secure with locking screws (B).



B x4PCS

Step:5

Connect the top panel ① to the frame using wooden dowels (C), then secure with locking screws (B).
Cover screw holes with screw hole covers (I).



I x 4PCS



C x 2PCS

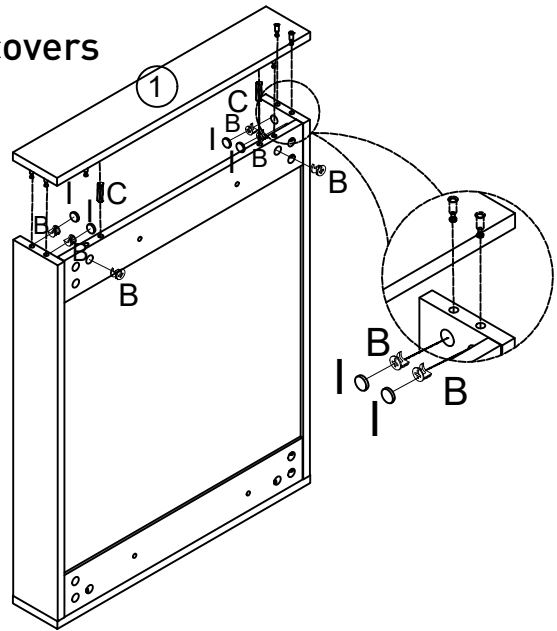


B x6PCS

Step:6

Connect the bottom panel ① to the frame using wooden dowels (C), then secure with locking screws (B).

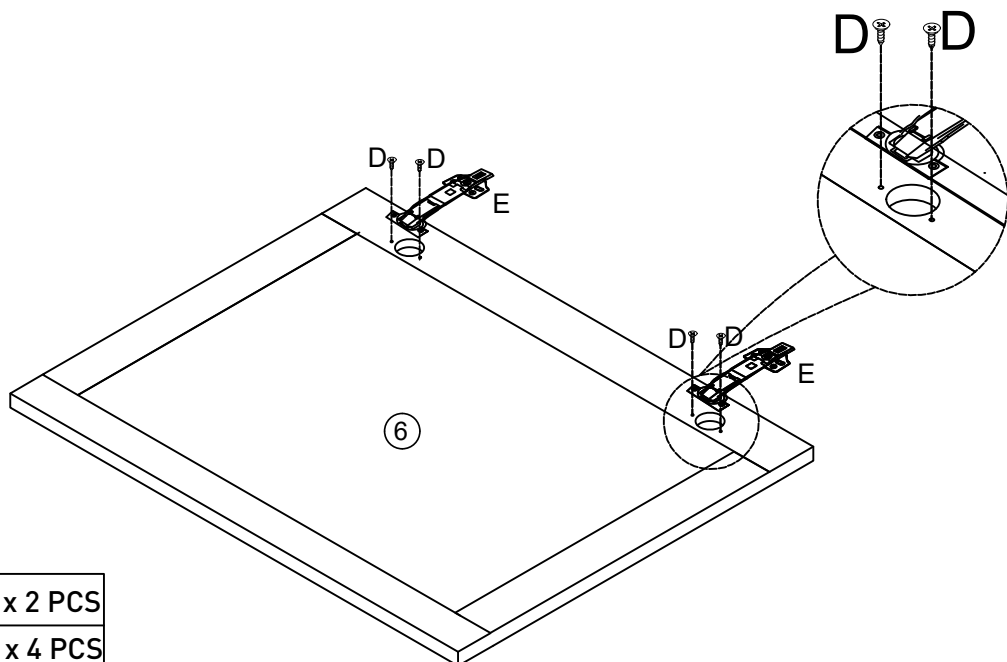
Cover screw holes with screw hole covers (I).



	I x 4PCS
	C x 2PCS
	B x 6PCS

Step:7

Install the hinges (E) onto the mirror door ⑥ using screws (D).



	E x 2 PCS
	D x 4 PCS

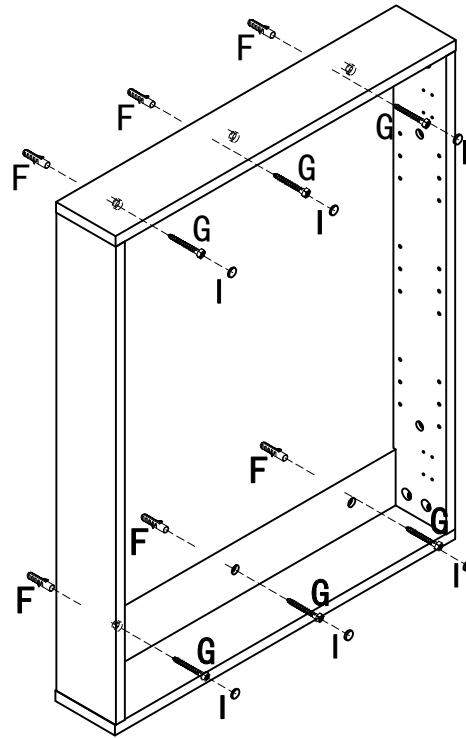
Installation Instructions




Wall Mount

Step:8.1

Wall Mount Installation

Drill holes in the wall, install wall anchors (F), then mount the cabinet using screws (G).



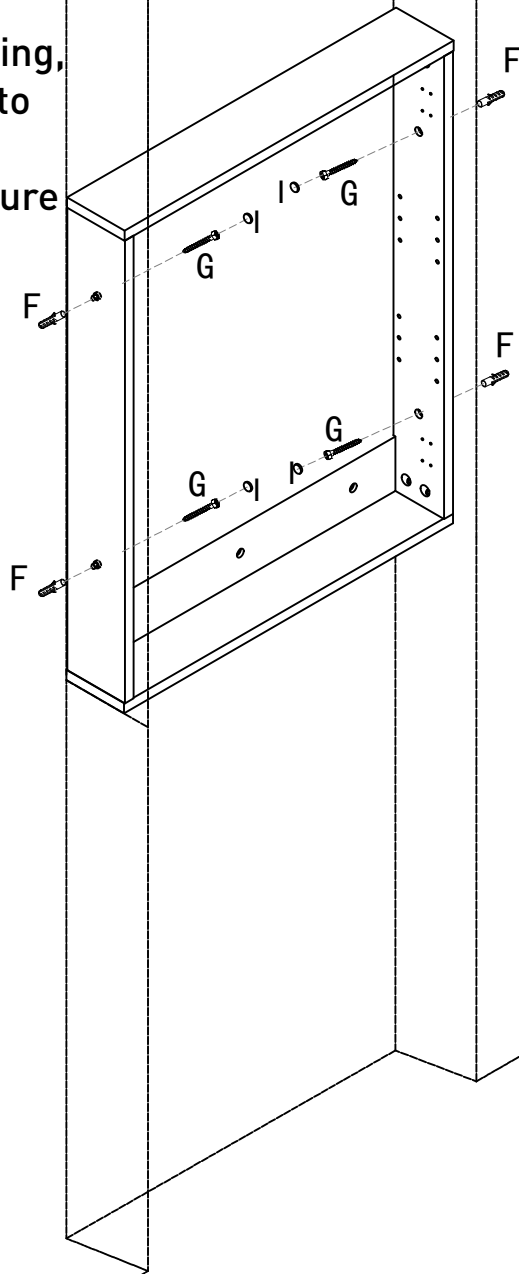
	I x 6PCS
	F x 6PCS
	G x 6PCS




Recessed Mount

Step:8.2

Recessed Mount Installation

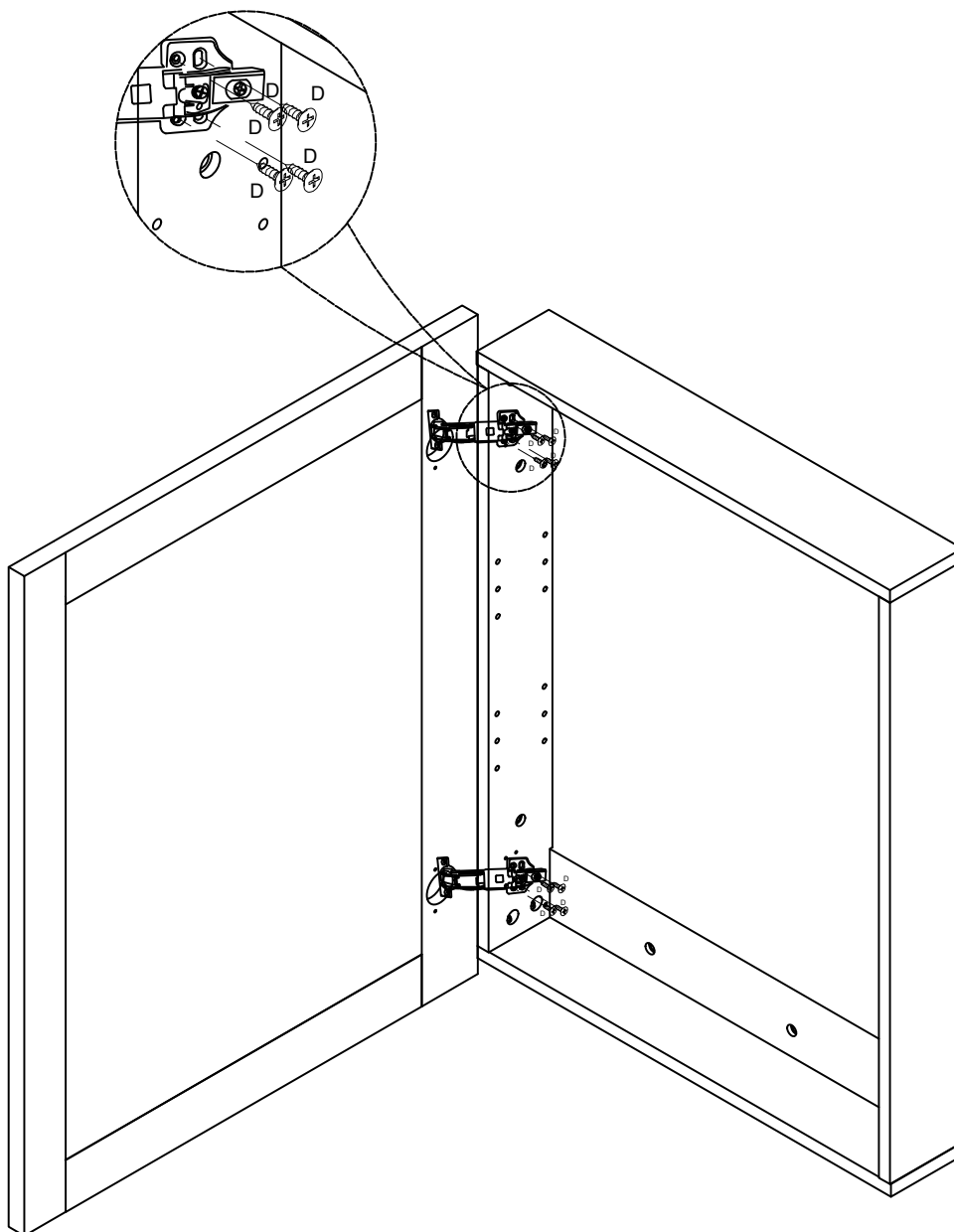
Cut a recessed opening, insert the cabinet into the wall, install wall anchors (F), and secure with mounting screws (G).



	1 x 4PCS
	Fx 4PCS
	Gx4PCS

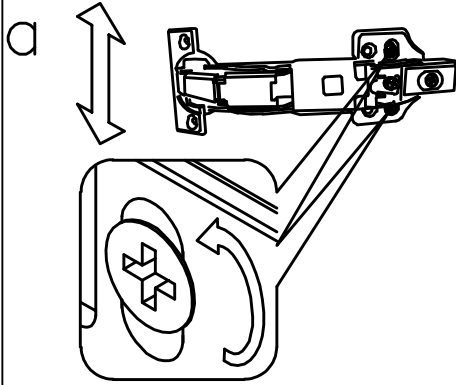
Step:9

Attach the mirror door ⑥ to the cabinet using hinges (E), and secure with screws (D).



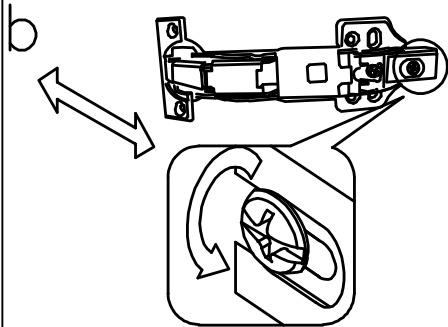
D x 8 PCS

Step:10



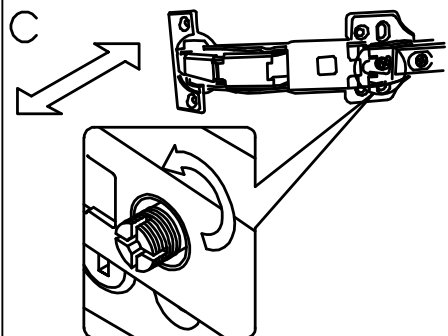
Vertical adjustment:

Move the hinge up or down to adjust door height.



Horizontal adjustment:

Turn the screw to shift the door left or right.

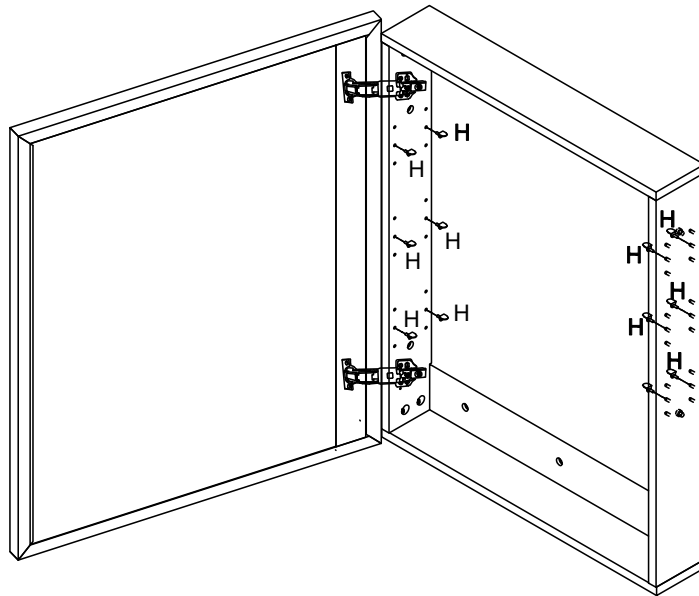


Depth adjustment:

Turn the screw to move the door in or out.

Step:11

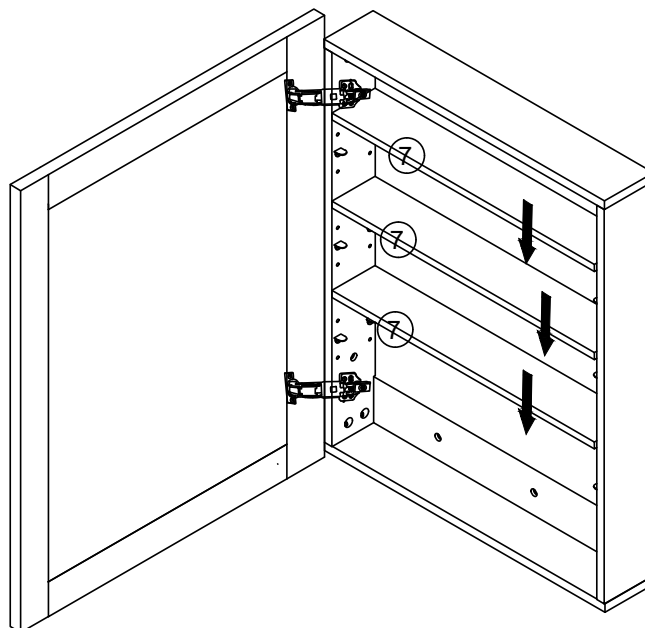
Insert shelf pins (H) into the pre-drilled holes inside the cabinet.



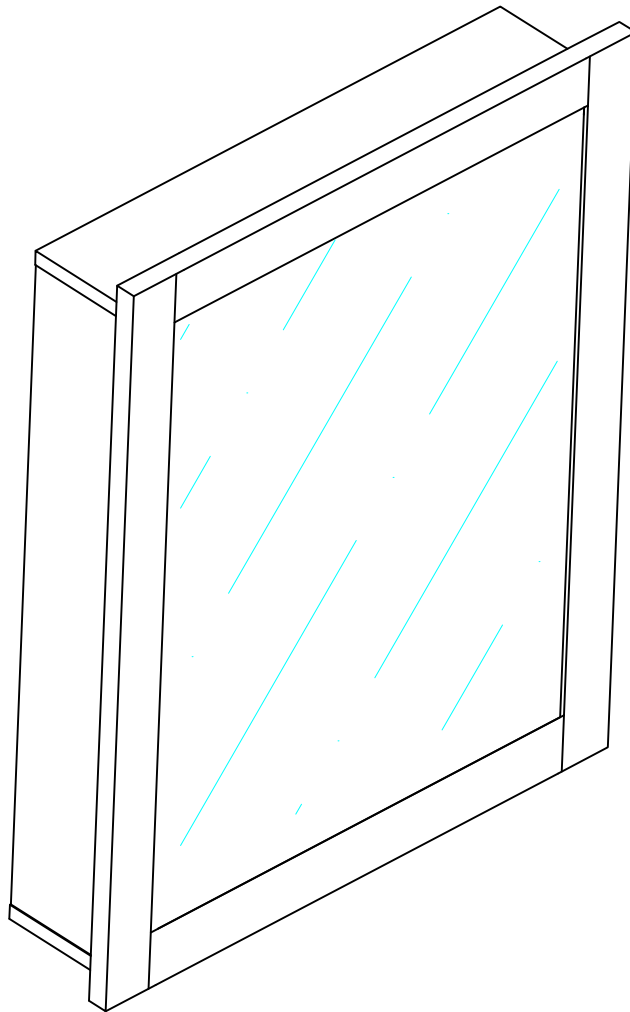
H x 12PCS

Step:12

Place the cabinet shelves ⑦ onto the shelf pins (H).



Assembly complete. Your mirror cabinet is ready for use.



Care & Maintenance

Keep the cabinet body dry to prevent warping or moisture damage.

Wipe the mirror and wooden surfaces with a soft, damp cloth, then dry immediately with a clean towel.

Avoid prolonged exposure to high humidity or direct sunlight.

Do not use harsh chemicals, abrasive pads, or ammonia-based cleaners.

Periodically check and tighten all screws and hardware.

Do not overload the shelves beyond their intended weight limit.

Warranty Information

Your wood medicine cabinet is backed by a 1-year limited warranty from the date of purchase. This warranty covers manufacturing defects and hardware issues under normal residential use.

We are here to assist and typically respond within 24 hours.