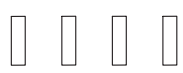
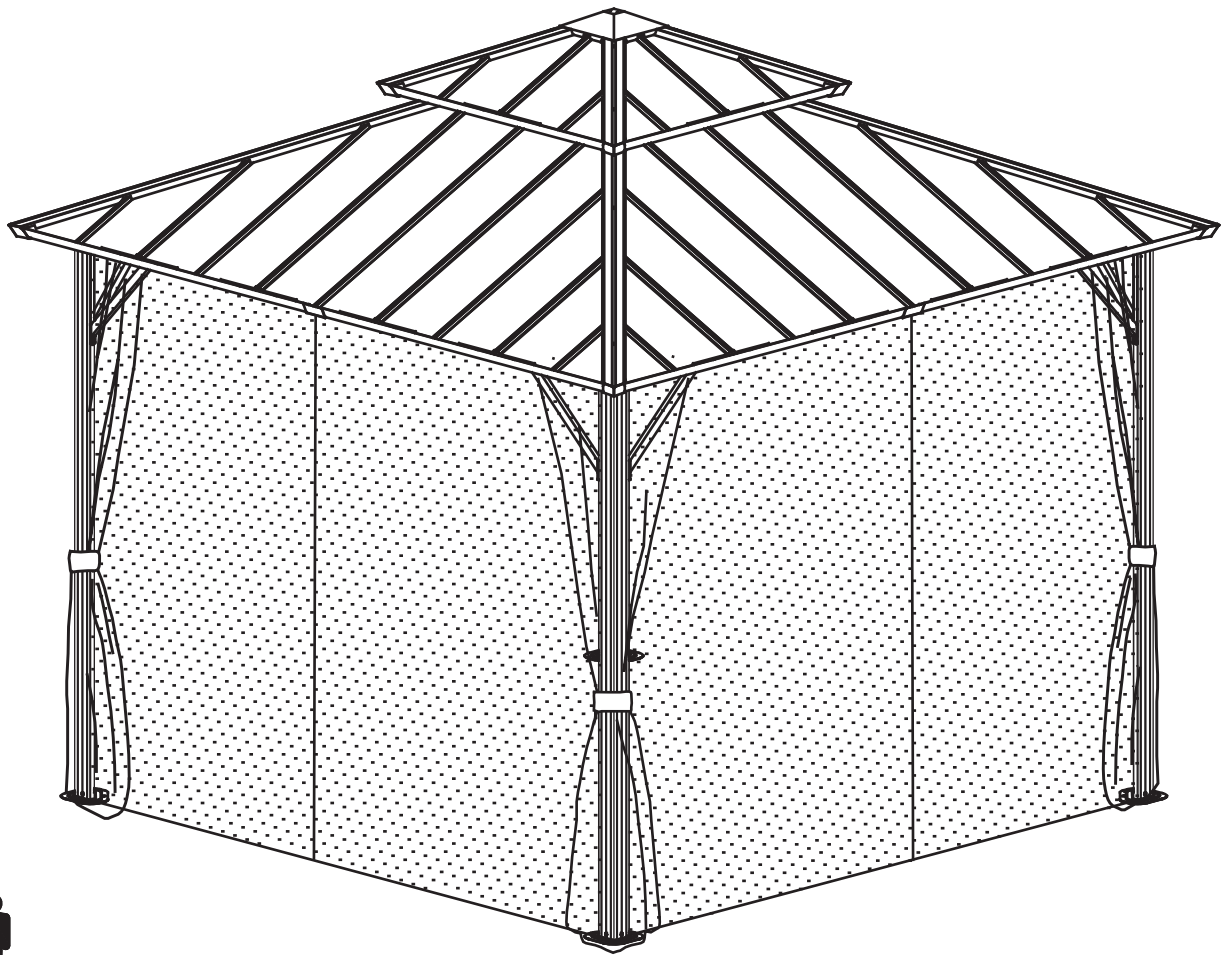
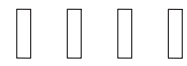


# 10 x 10 FT



## WQG-027-5



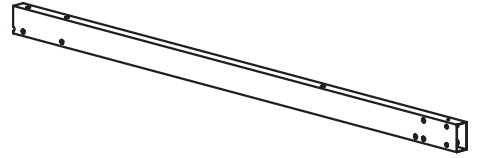
Need at least three people to work together

### REQUIRED TOOLS

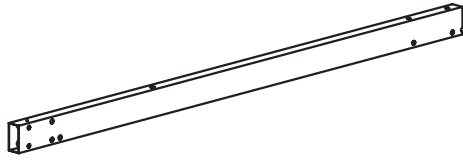




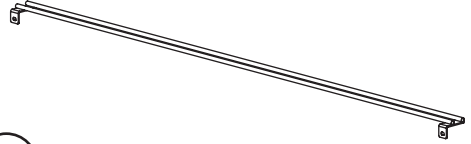
(A2) 4x



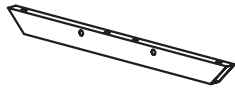
(B3) 4x



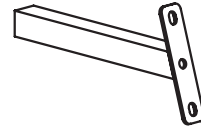
(B4) 4x



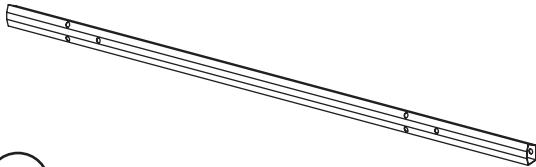
(C2) 8x



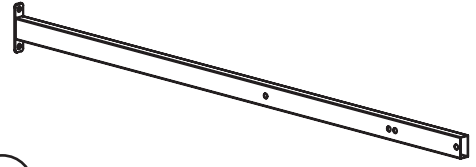
(D1) 4x



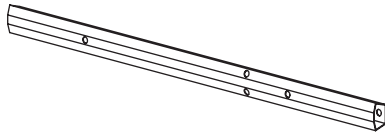
(D7) 4x



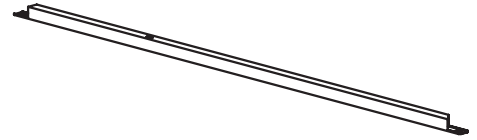
(E1) 4x



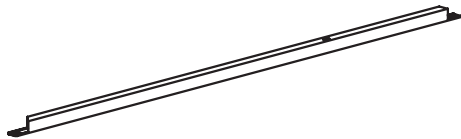
(E2) 4x



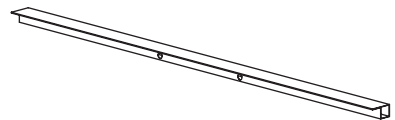
(E3) 4x



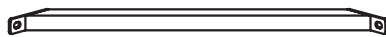
(F1) 4x



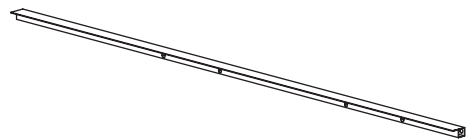
(F2) 4x



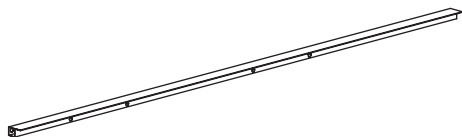
(G1) 4x



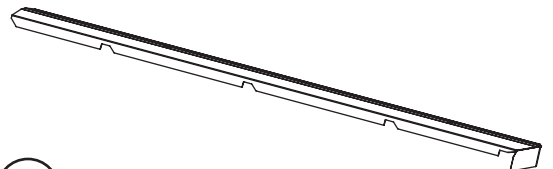
(H2) 8x



(I1) 4x



(I2) 4x



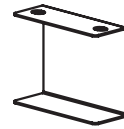
(R1) 4x



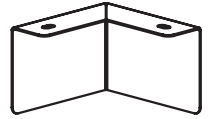
(R6) 4x



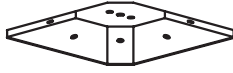
(J) 4x



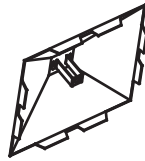
(K1) 4x



(K2) 4x



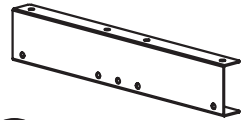
(L3) 1x



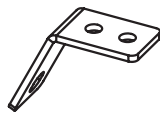
(L4) 1x



(N1) 20x



(P) 4x



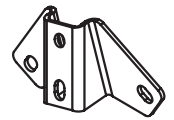
(Q2) 4x



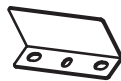
(Q3) 8x



(W2) 4x



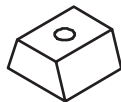
(W3) 4x



(W4) 4x



(W5) 8x



(Y) 8x



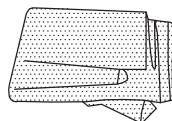
(Y1) 80x



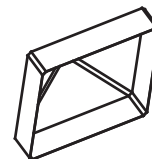
(Y2) 64x



(M1) 4x



(M2) 4x



(M3) 1x



(O1) 4x



(O2) 4x



(O3) 4x



(O4) 4x



(O5) 4x



(S1) 4x



(S2) 4x



M6x15

1 288x



M5x15

2 16x



ST4.8x12

4 8x



7 1x



8 16x



M6x40

9 24x



10 12x



12 8x



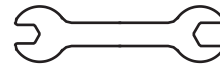
4mm

13 1x



4mm

15 1x



16 1x

<1>

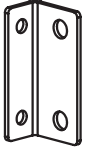
A2 4x



J 4x



Q3 8x



M6x15

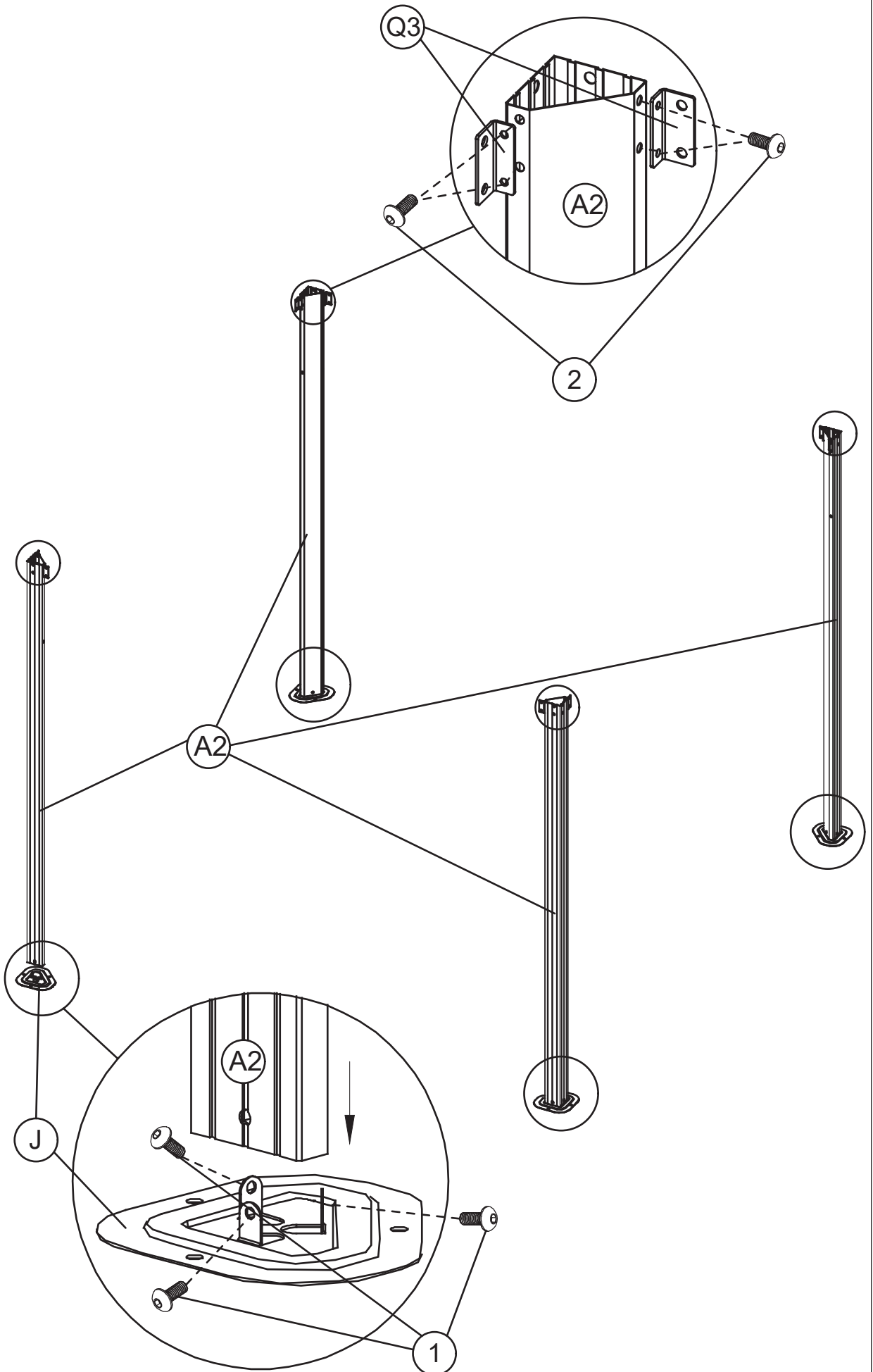


1 12x

M5x15



2 16x



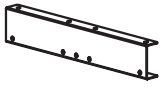
<2>



(B3) 4x



(B4) 4x

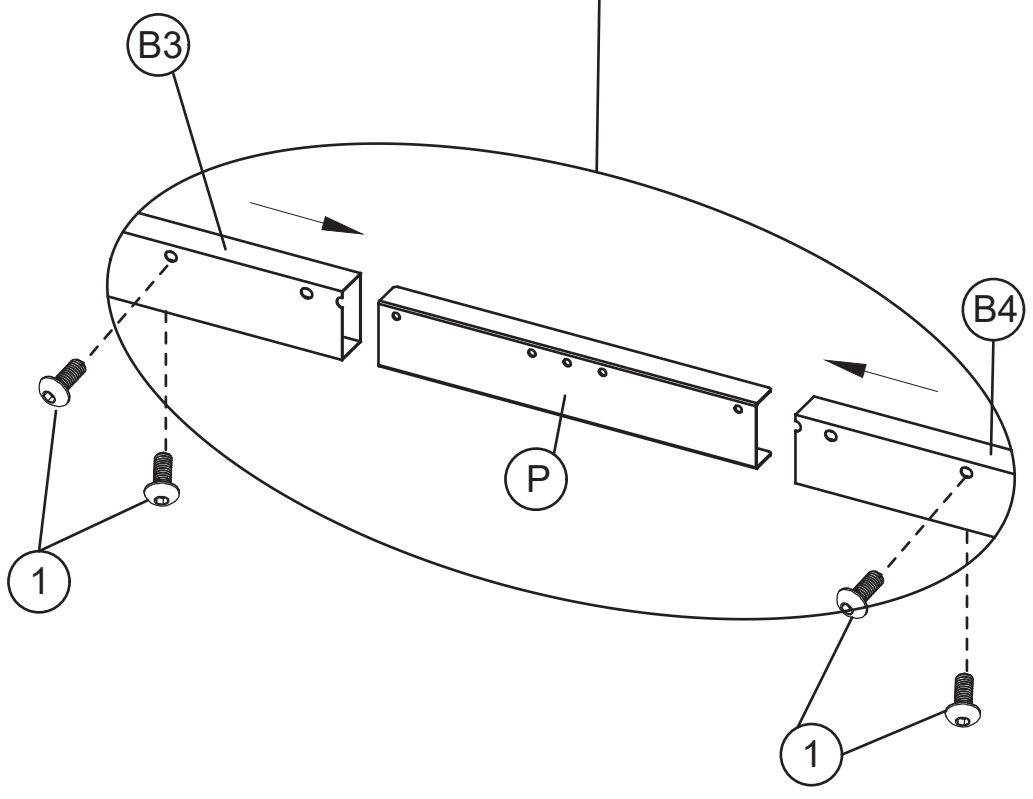
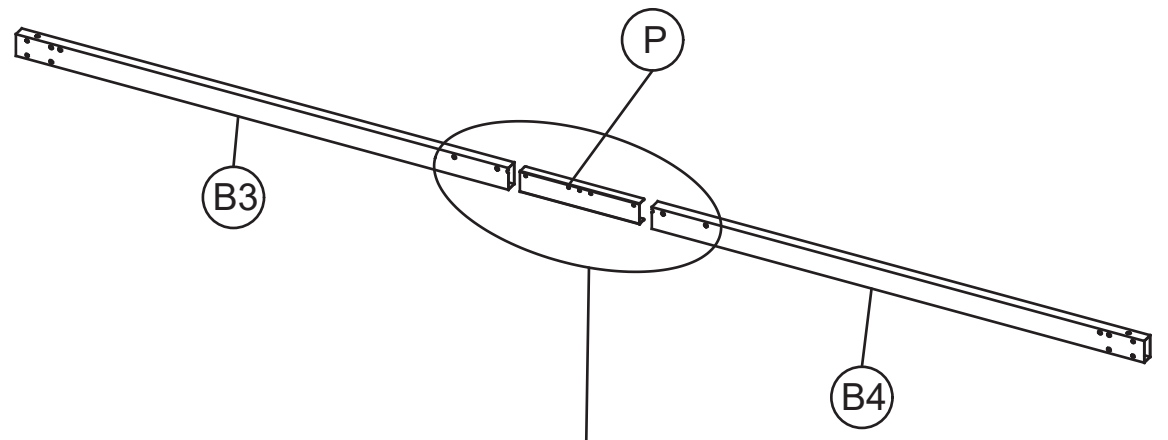


(P) 4x



M6x15

(1) 16x





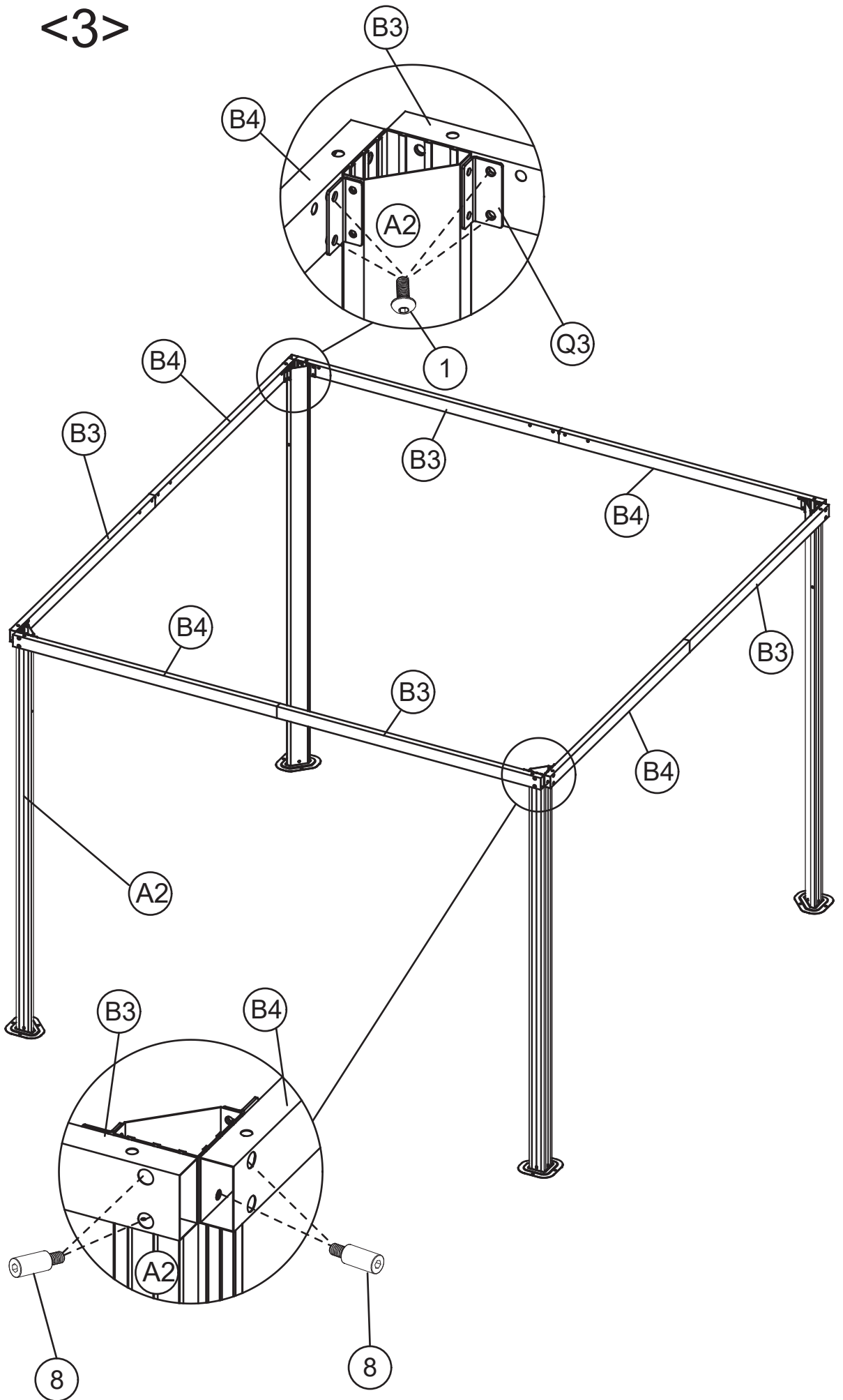
M6x15

1 16x



8 16x

<3>



7



(H2) 8x



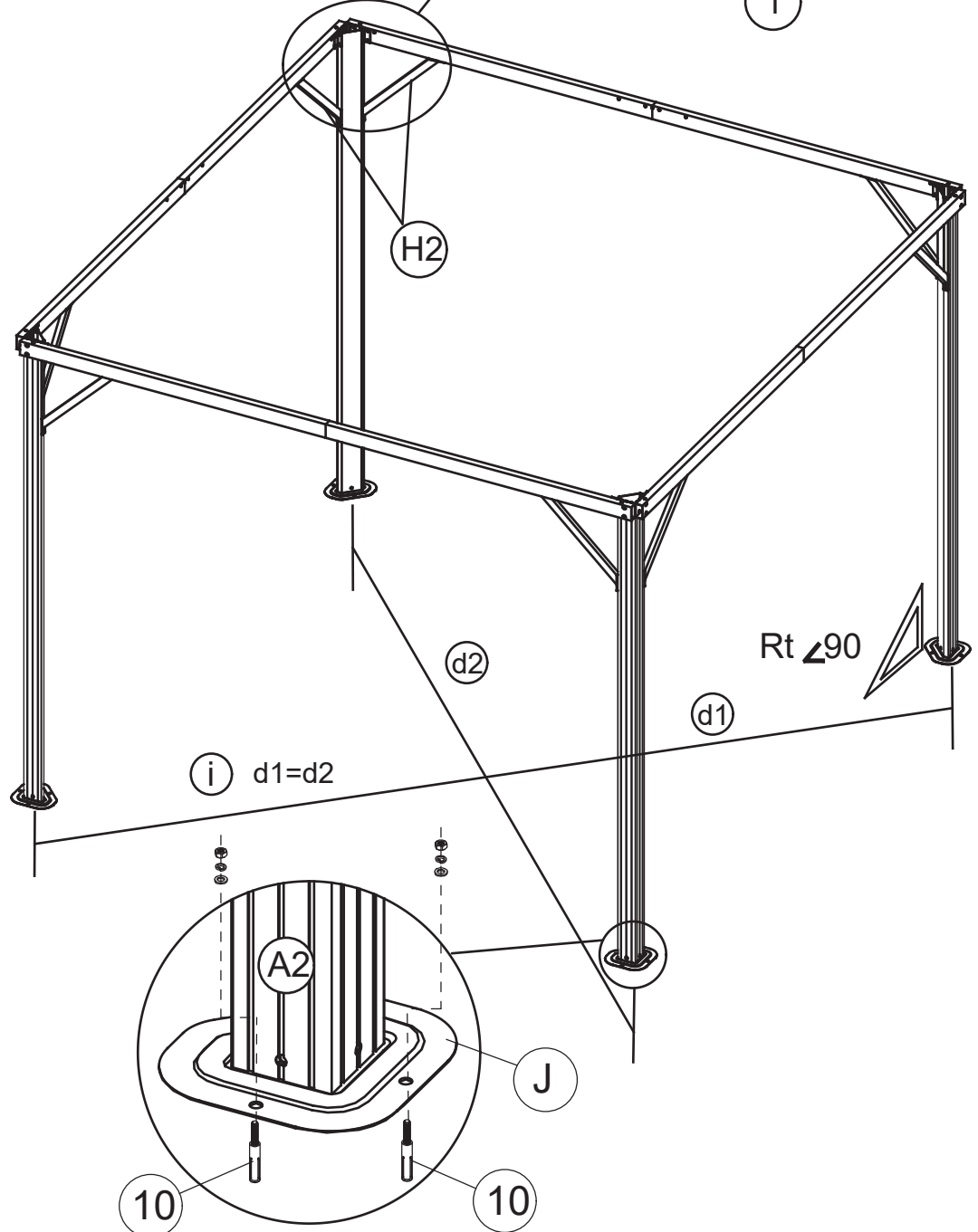
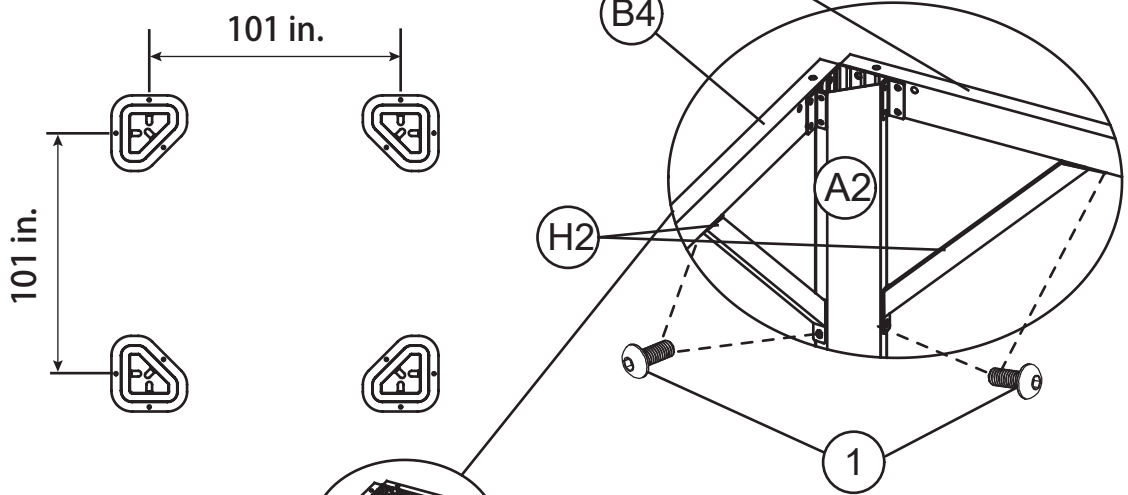
M6x15

(1) 16x

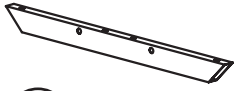


(10) 12x

<4>



Tip: Before proceeding to the next step, measure to ensure that  $d1$  is equal to  $d2$  to achieve a square frame and the best results. If they are not equal, loosen the H2 screws and adjust accordingly. Keep the beam perpendicular to the post, the post perpendicular to the ground, and ensure the beam remains level.



D1 4x



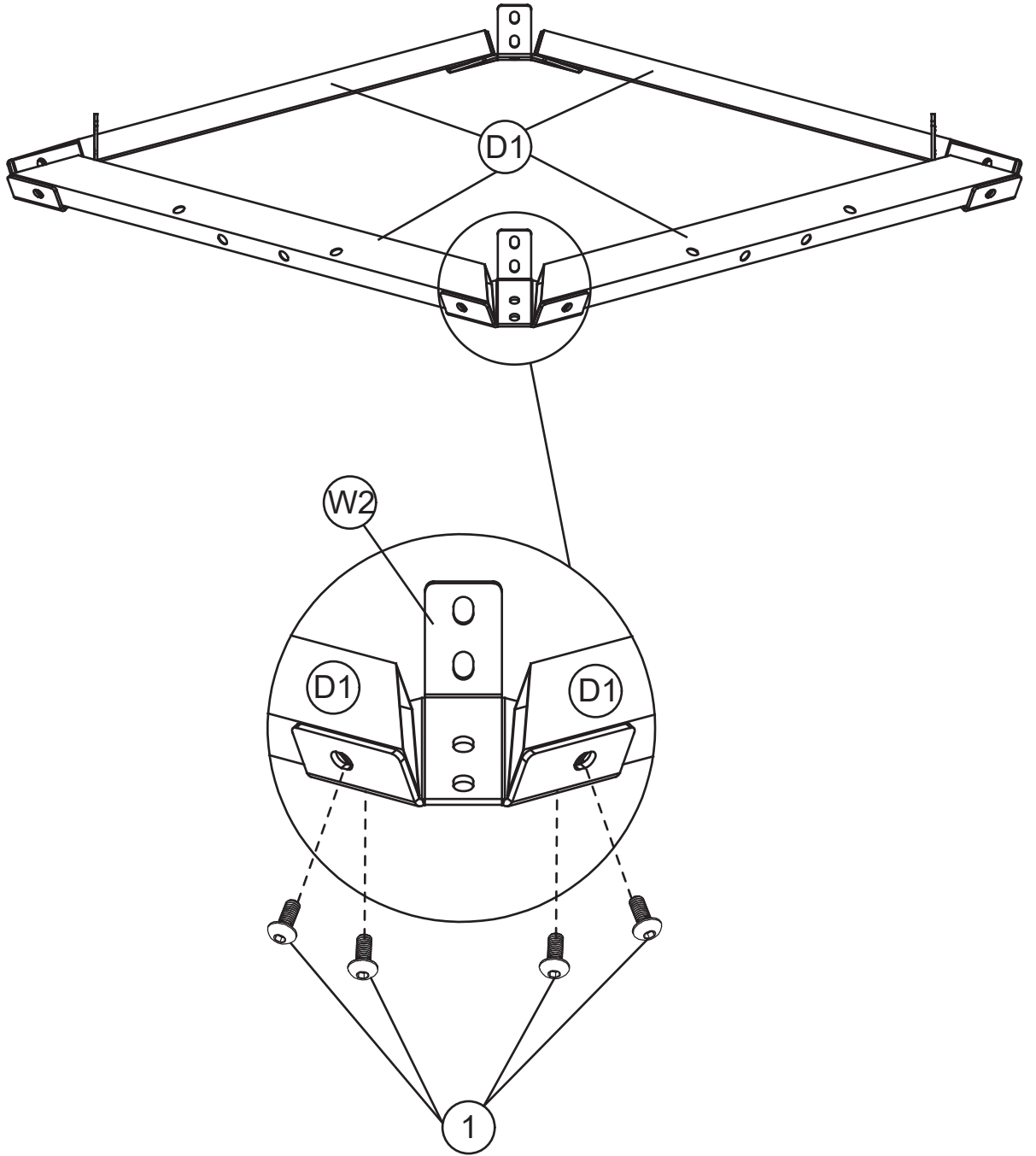
W2 4x



M6x15

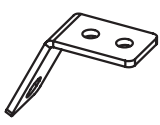
1 16x

<5>





E2 4x



Q2 4x



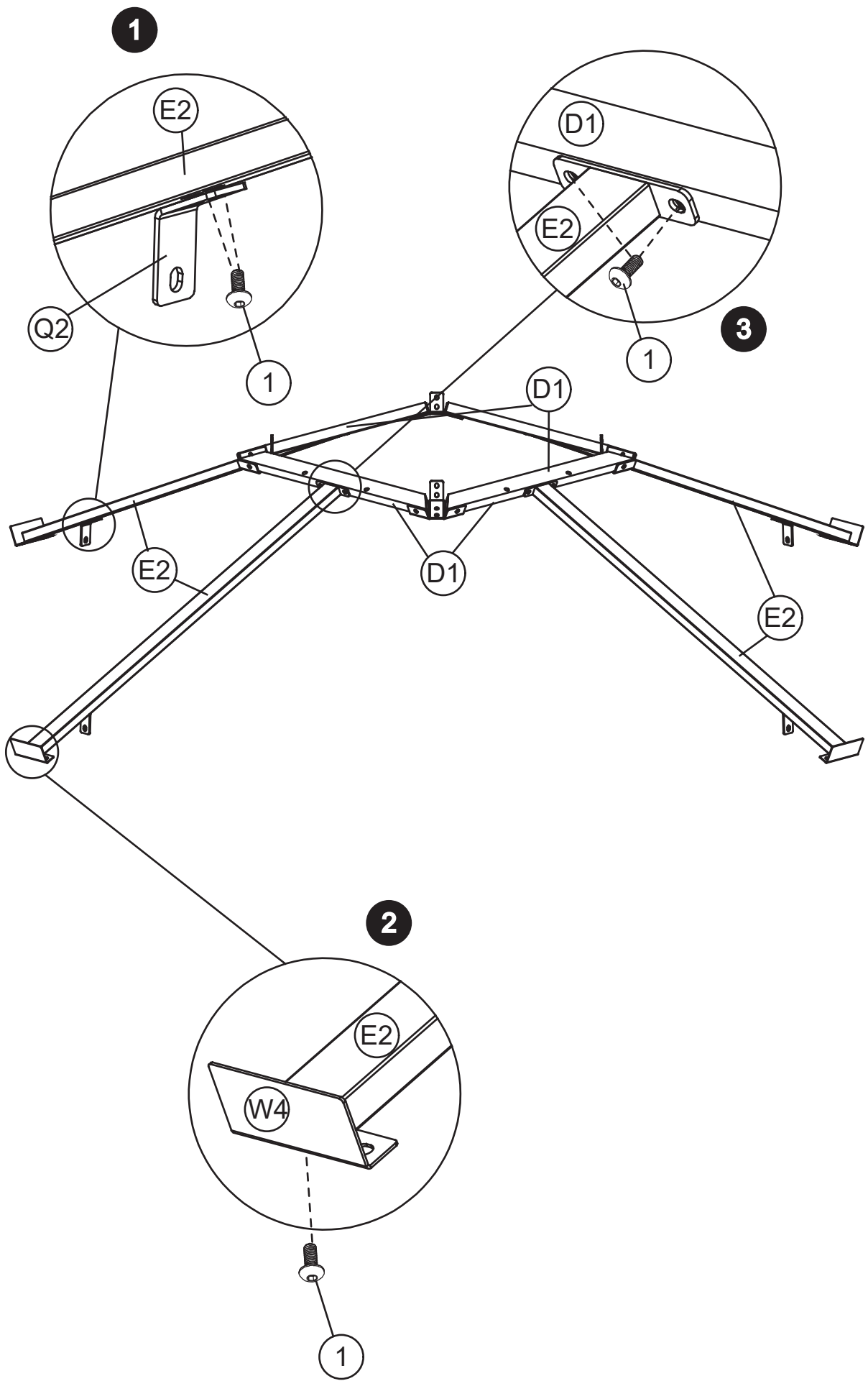
W4 4x



M6x15

1 20x

# <6>

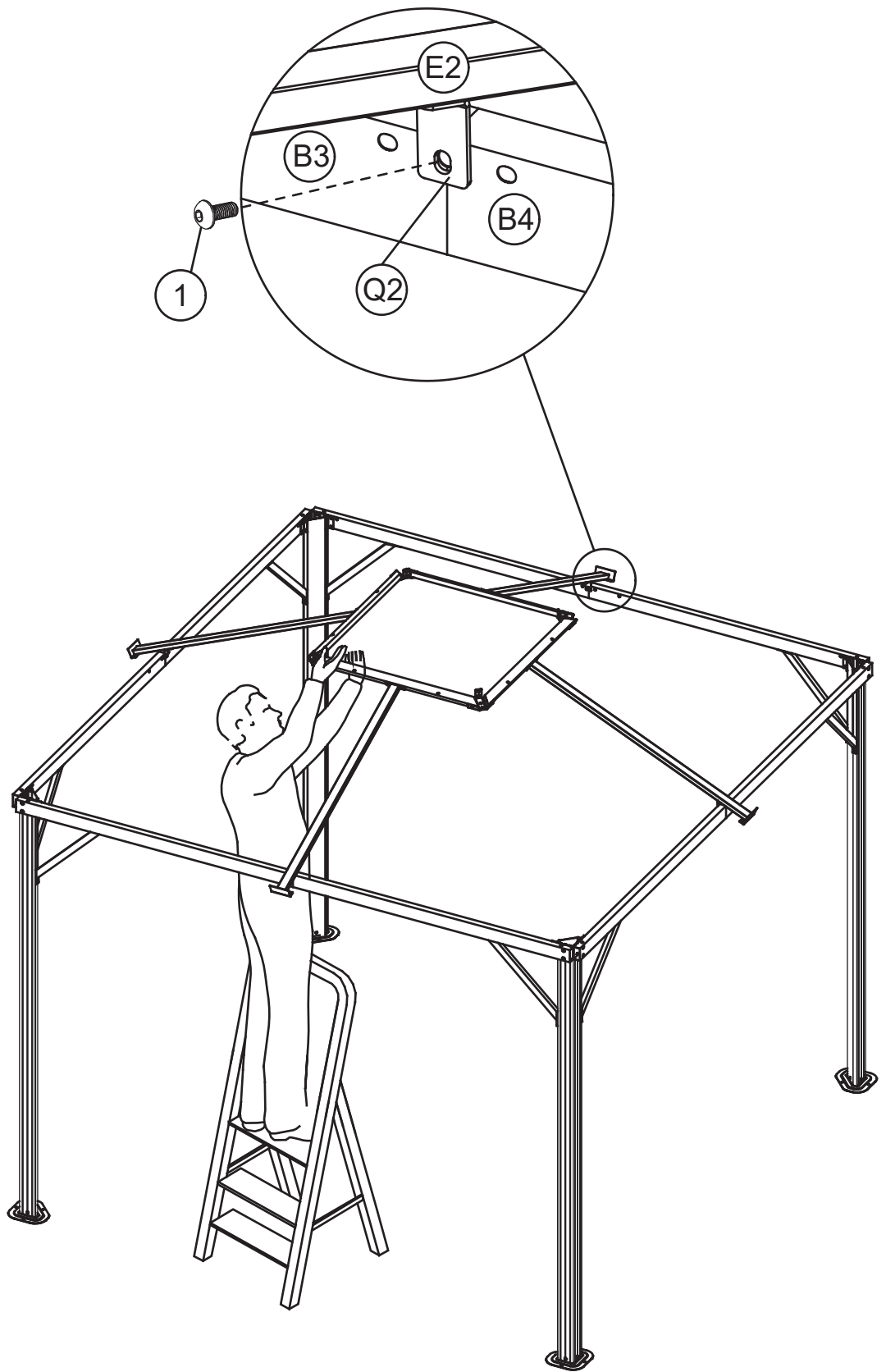




M6x15

1 4x

<7>



1. Have one person stand on the ladder to lift and hold D1 in place, while the other secure it by fastening the E2 screws.
2. Do not release D1 until all E2 screws are fully tightened.



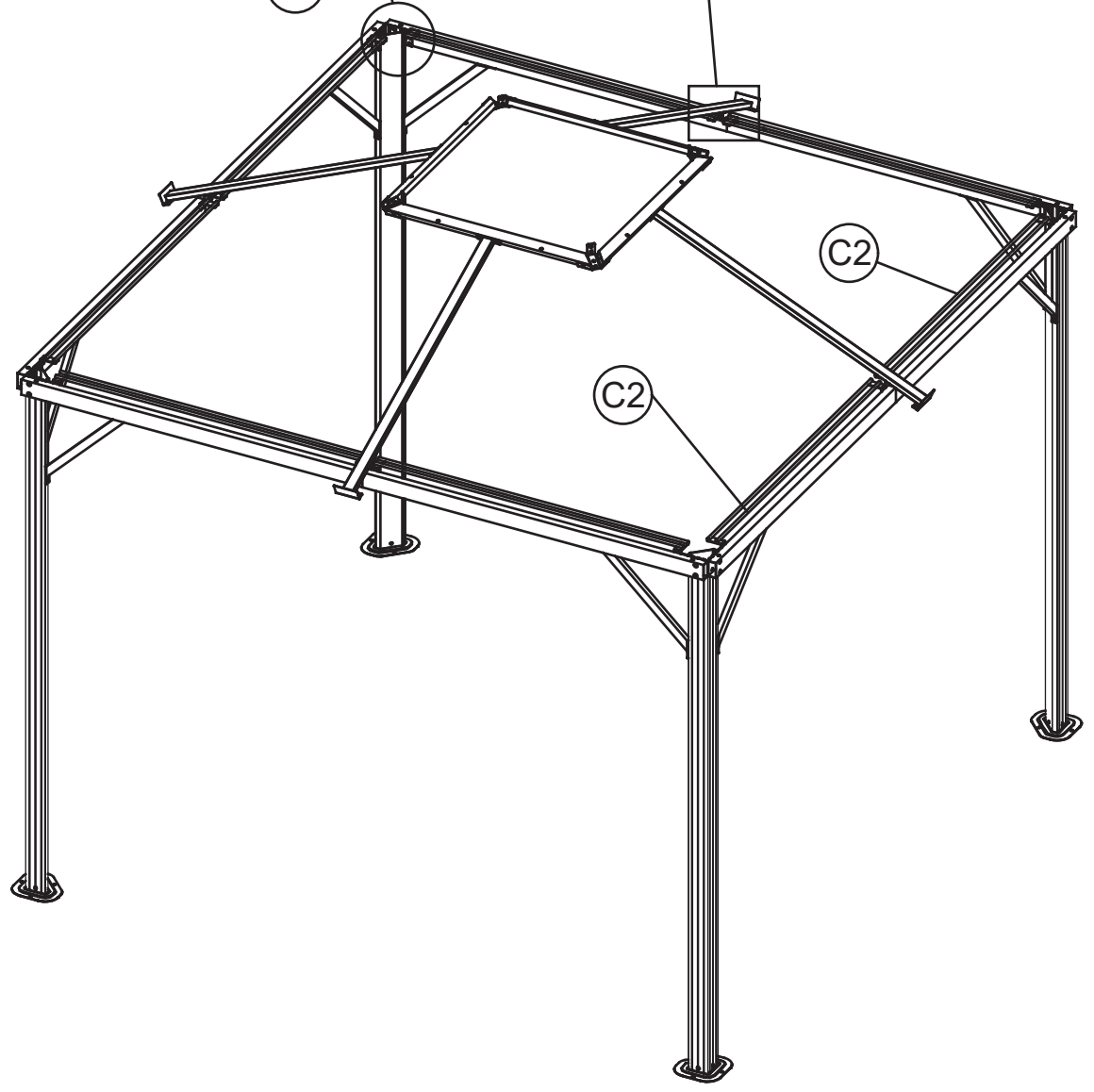
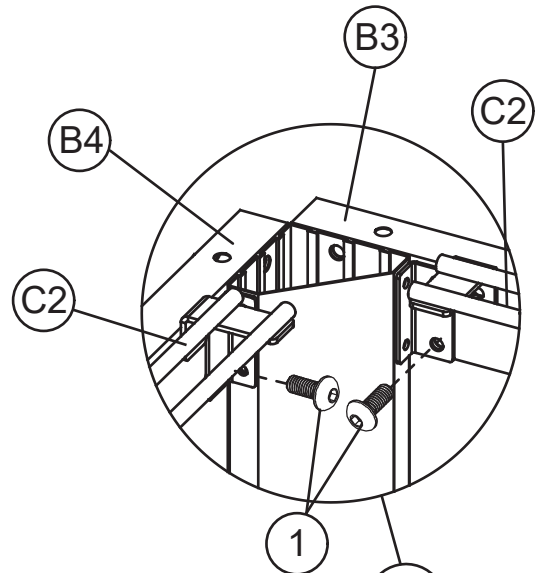
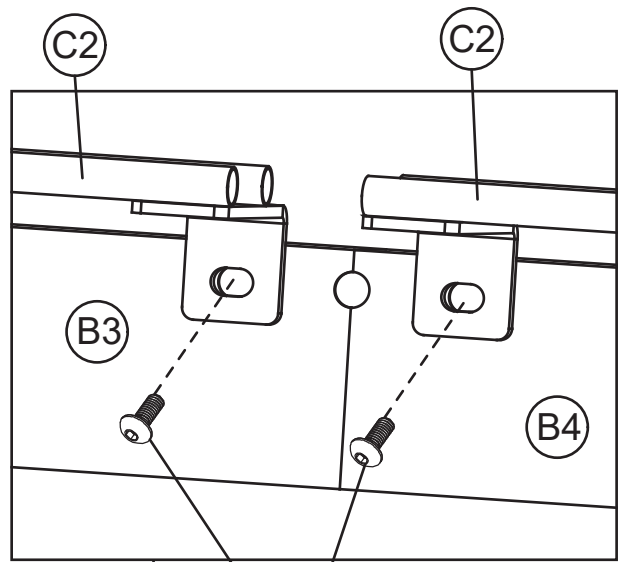
C2 8x



M6x15

1 16x

<8>





(K1) 4x



(K2) 4x



M6x15

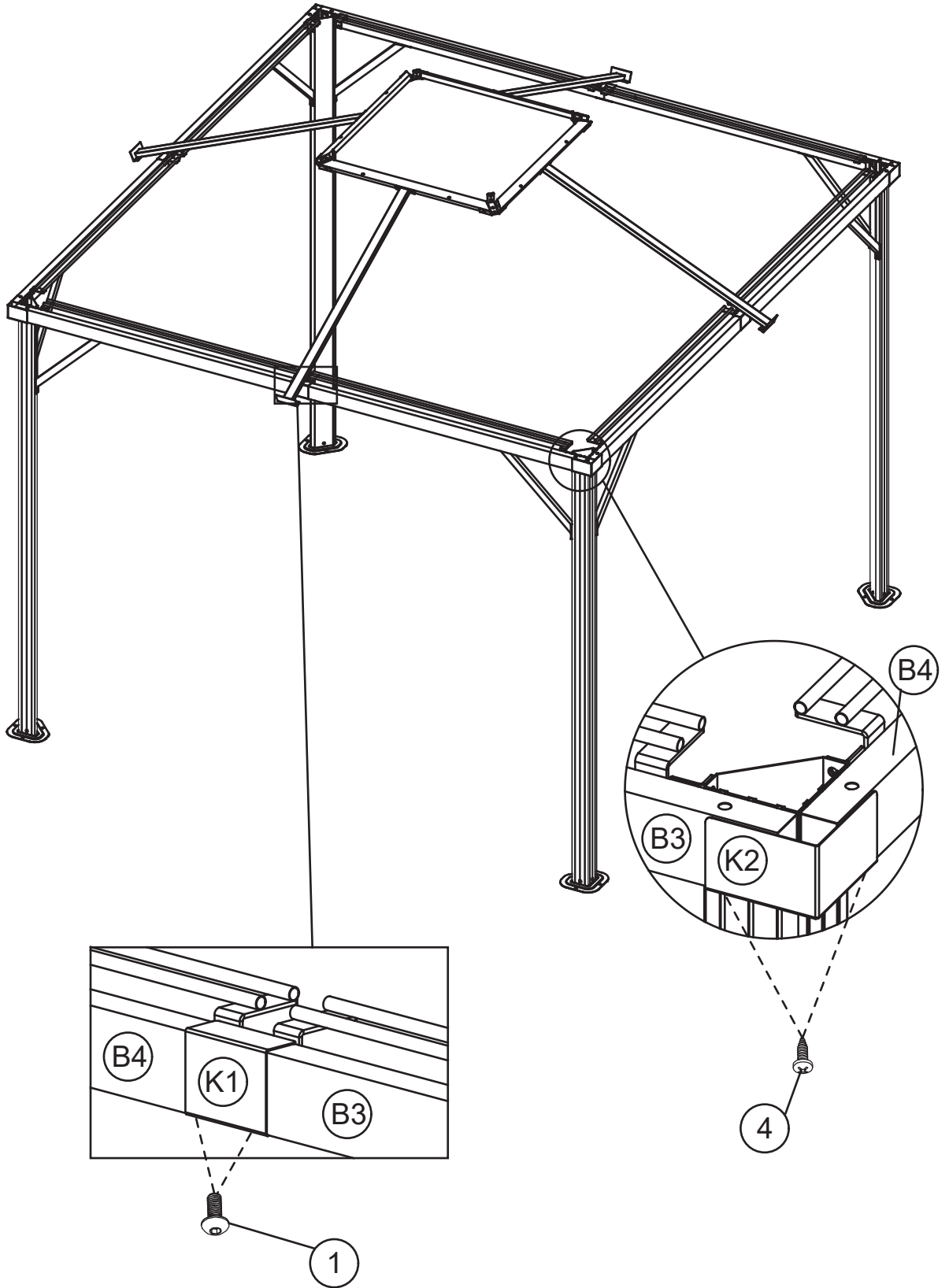
(1) 8x



ST4.8x12

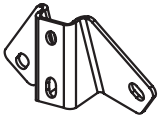
(4) 8x

<9>





(E1) 4x



(W3) 4x



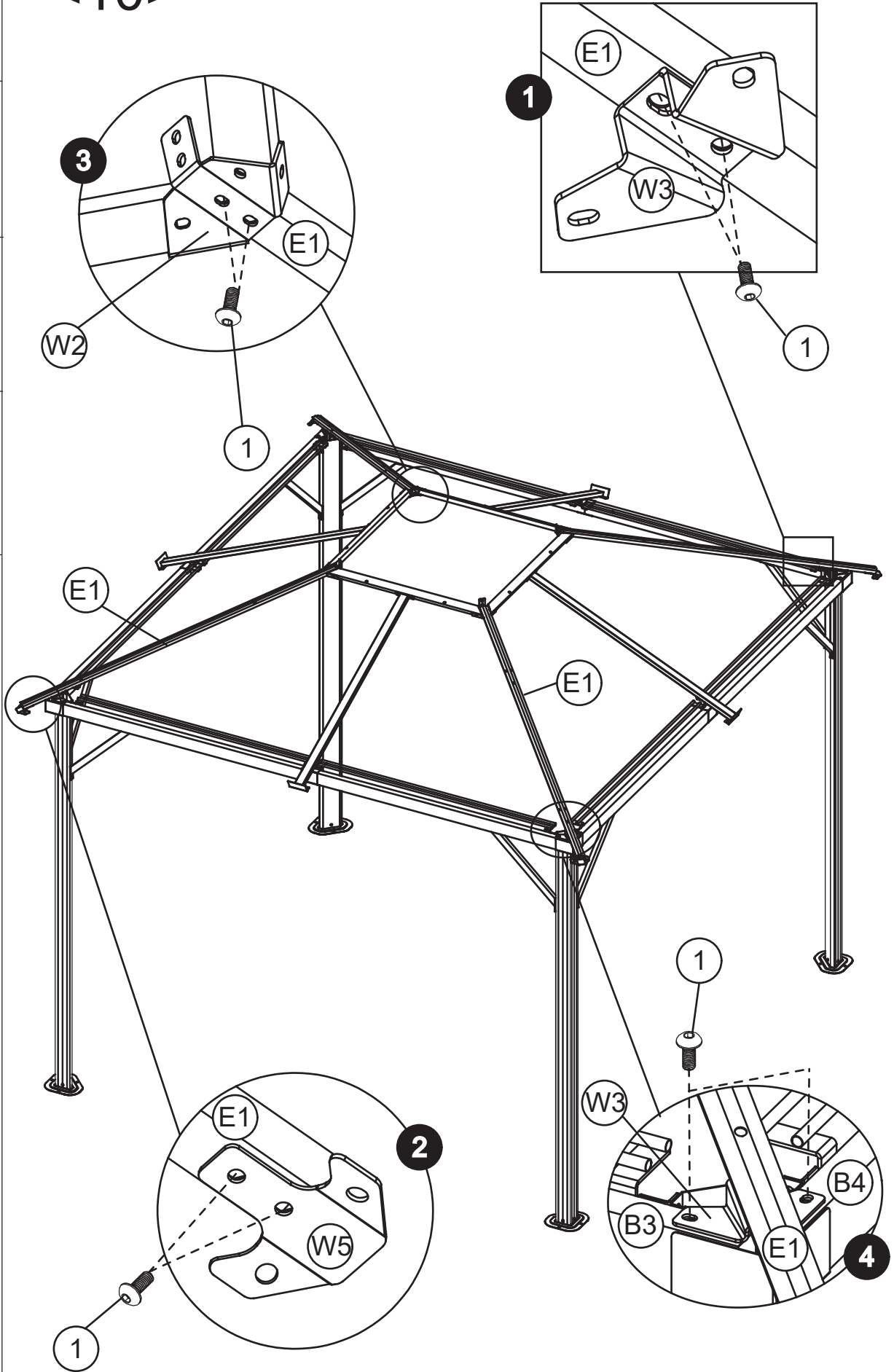
(W5) 4x



M6x15

(1) 32x

<10>



<11>



(F1) 4x

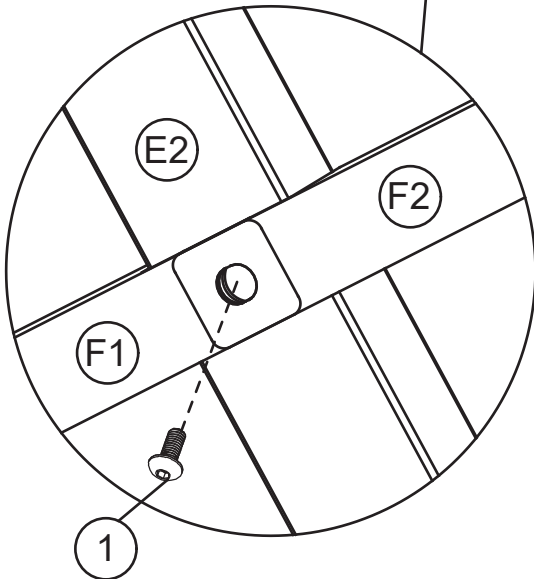
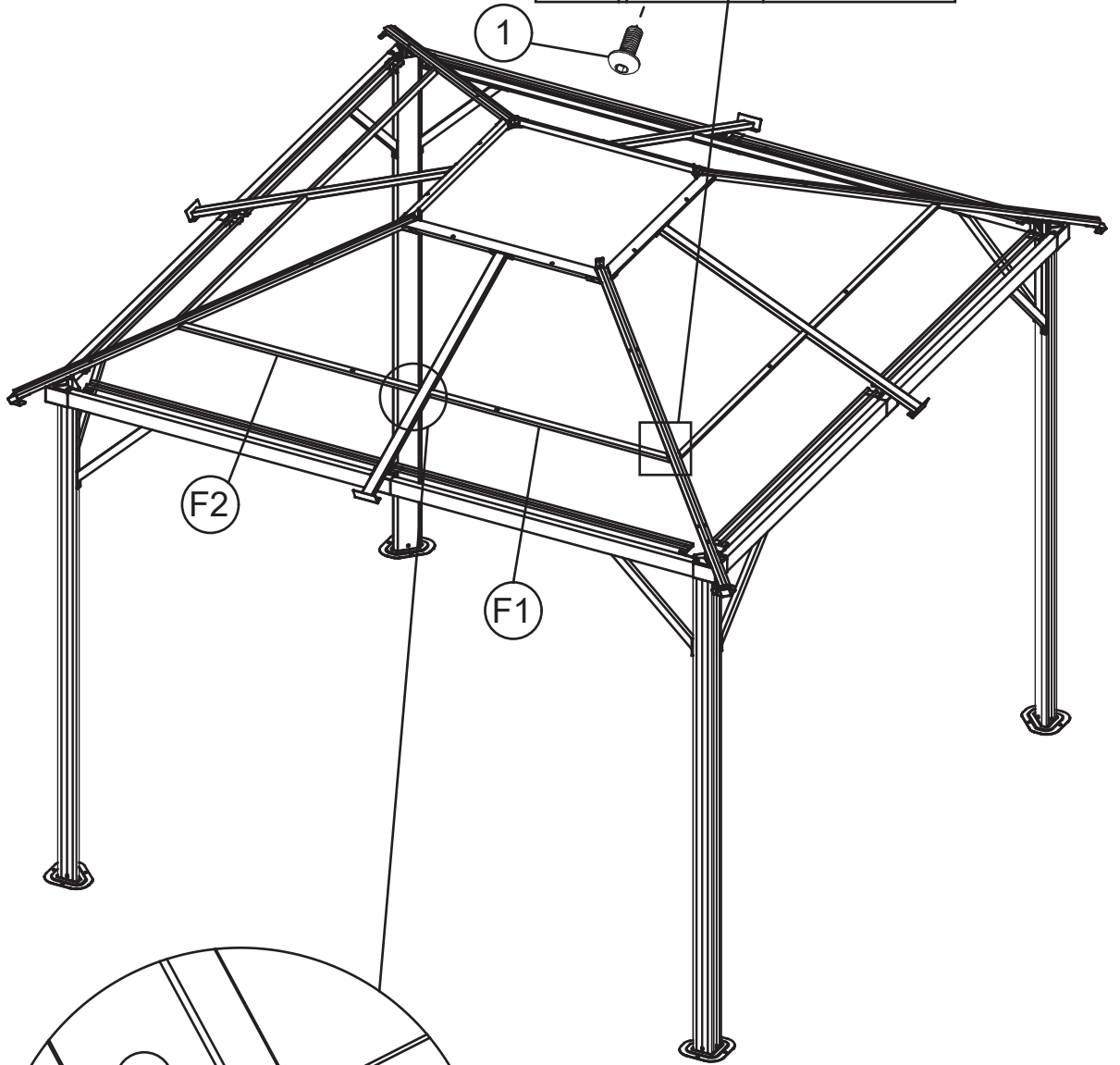
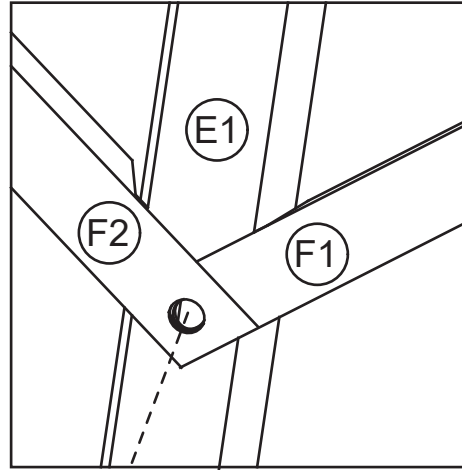


(F2) 4x



M6x15

(1) 8x



<12>



l1 4x

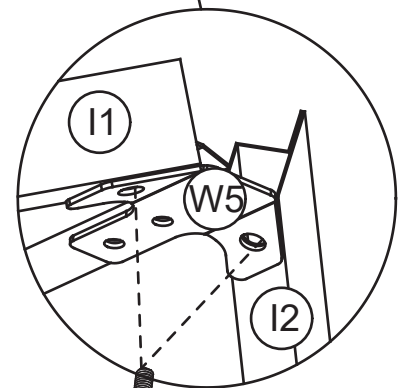
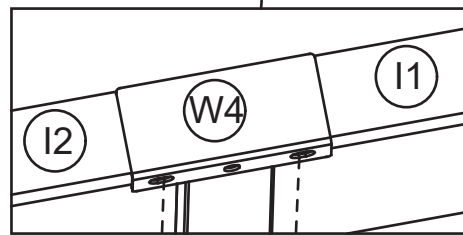
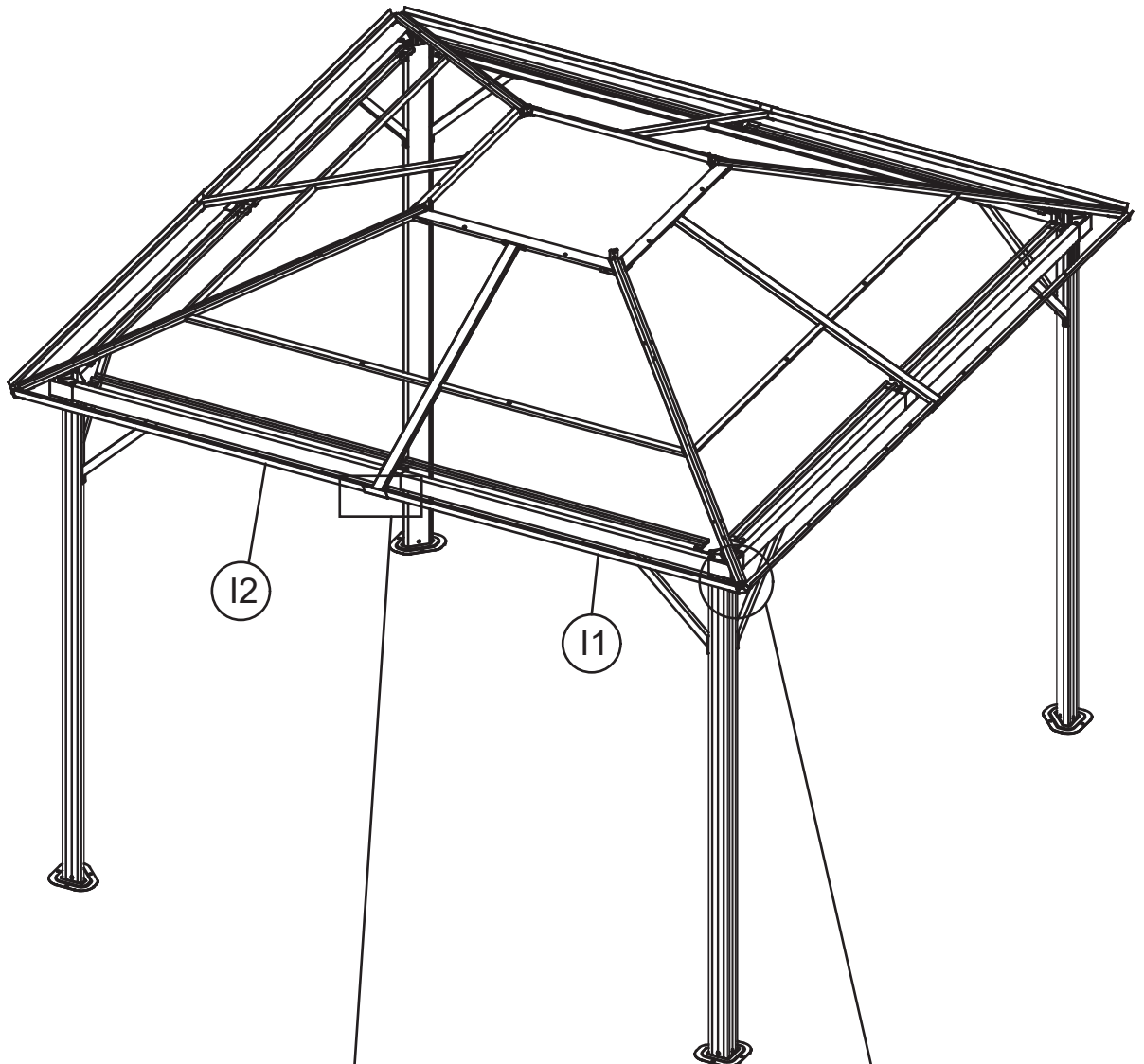


l2 4x



M6x15

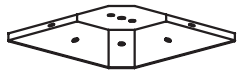
1 16x



<13>



E3 4x

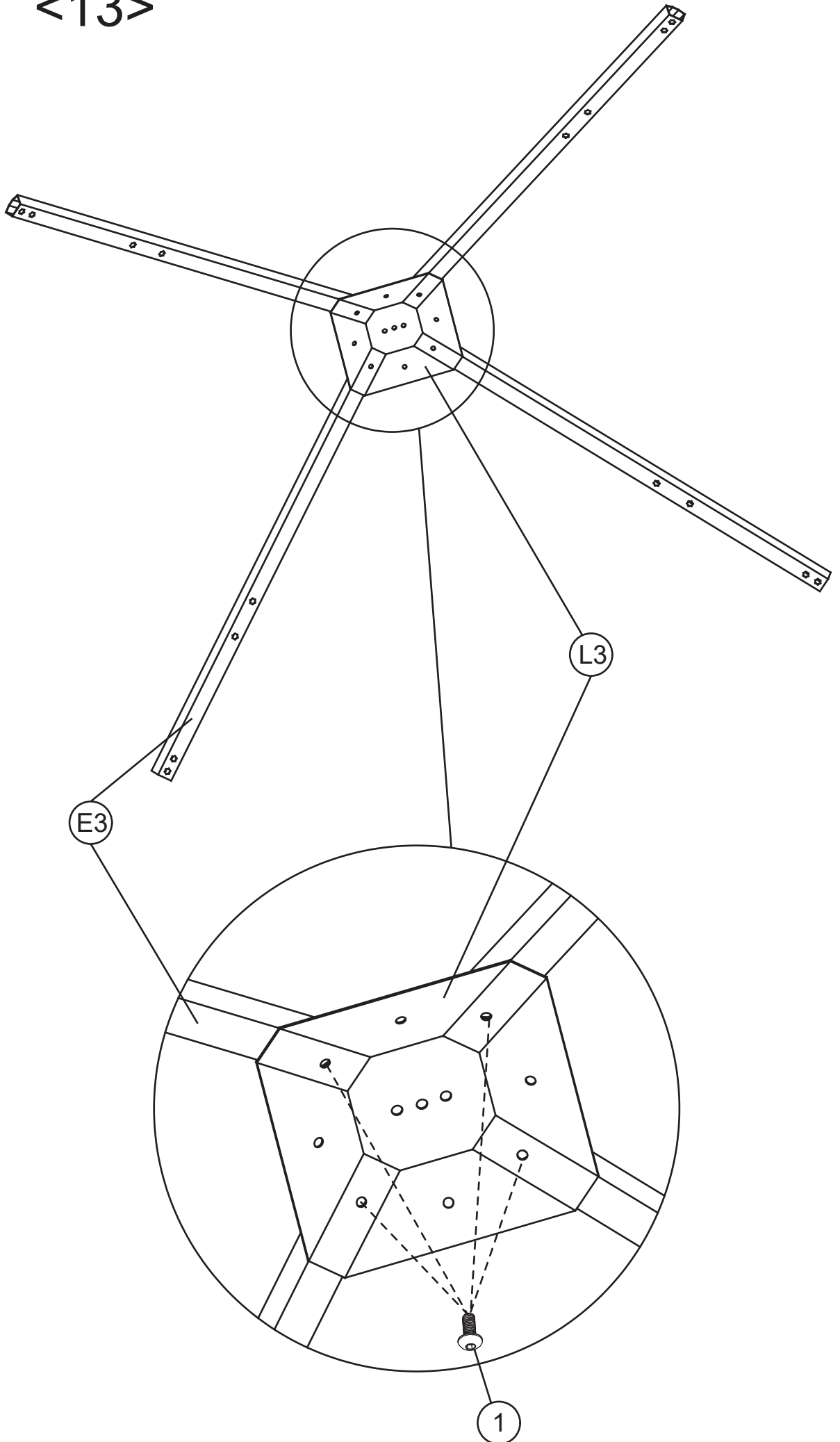


L3 1x



M6x15

1 4x





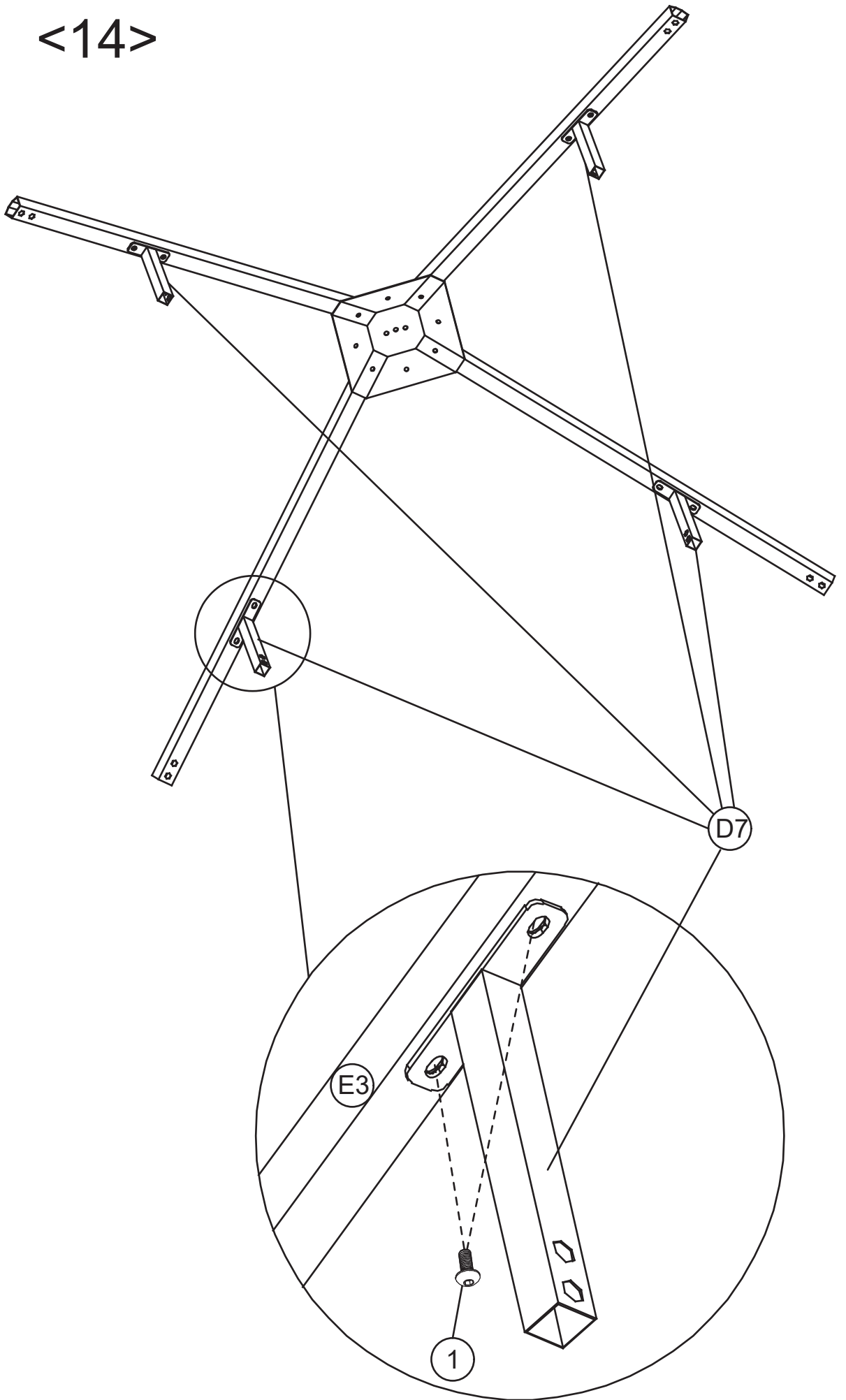
D7 4x



M6x15

1 8x

<14>



<15>



G1 4x

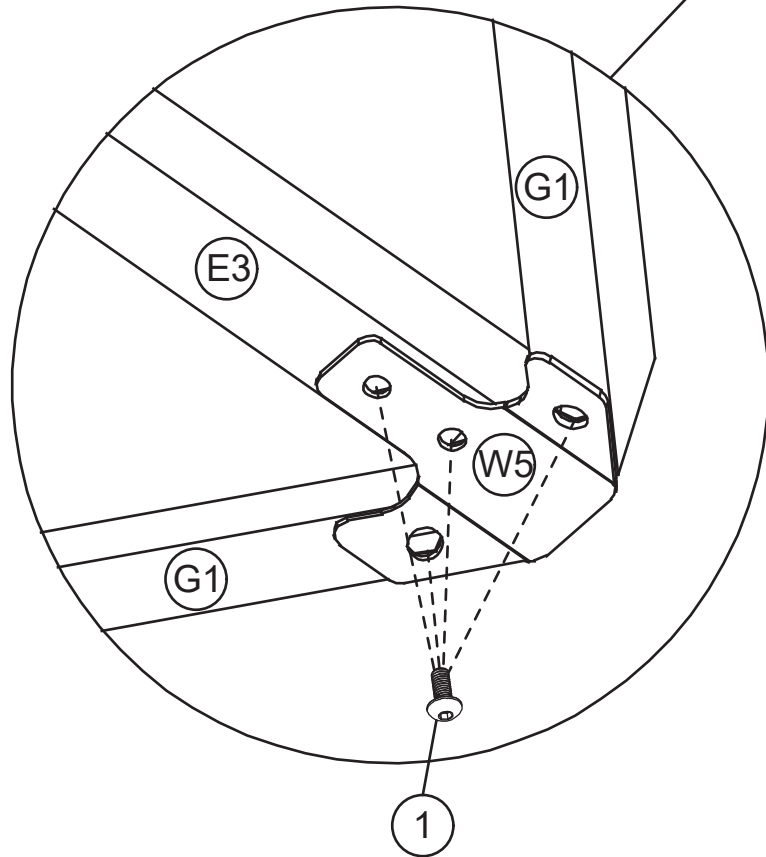
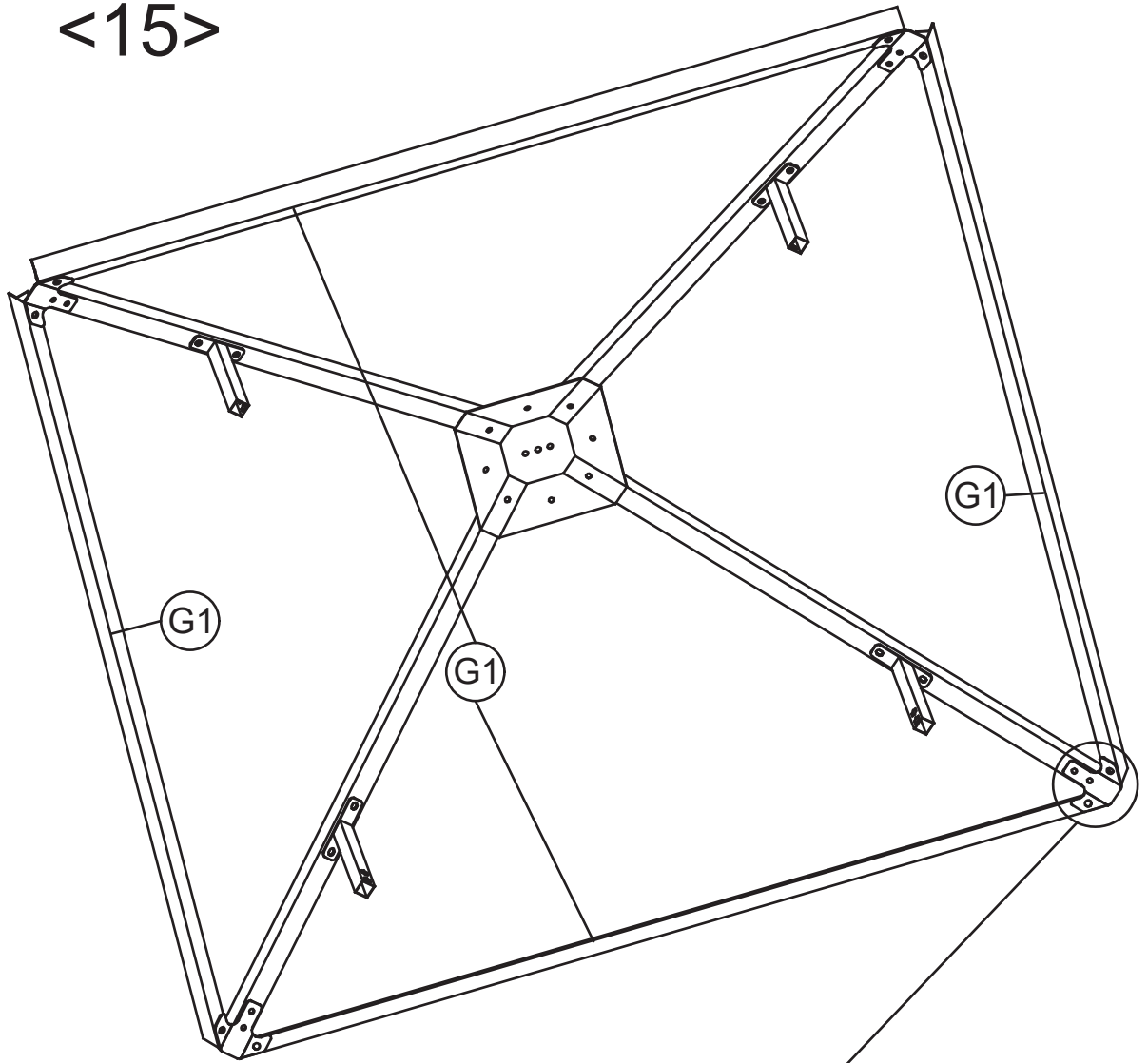


W5 4x



M6x15

1 16x

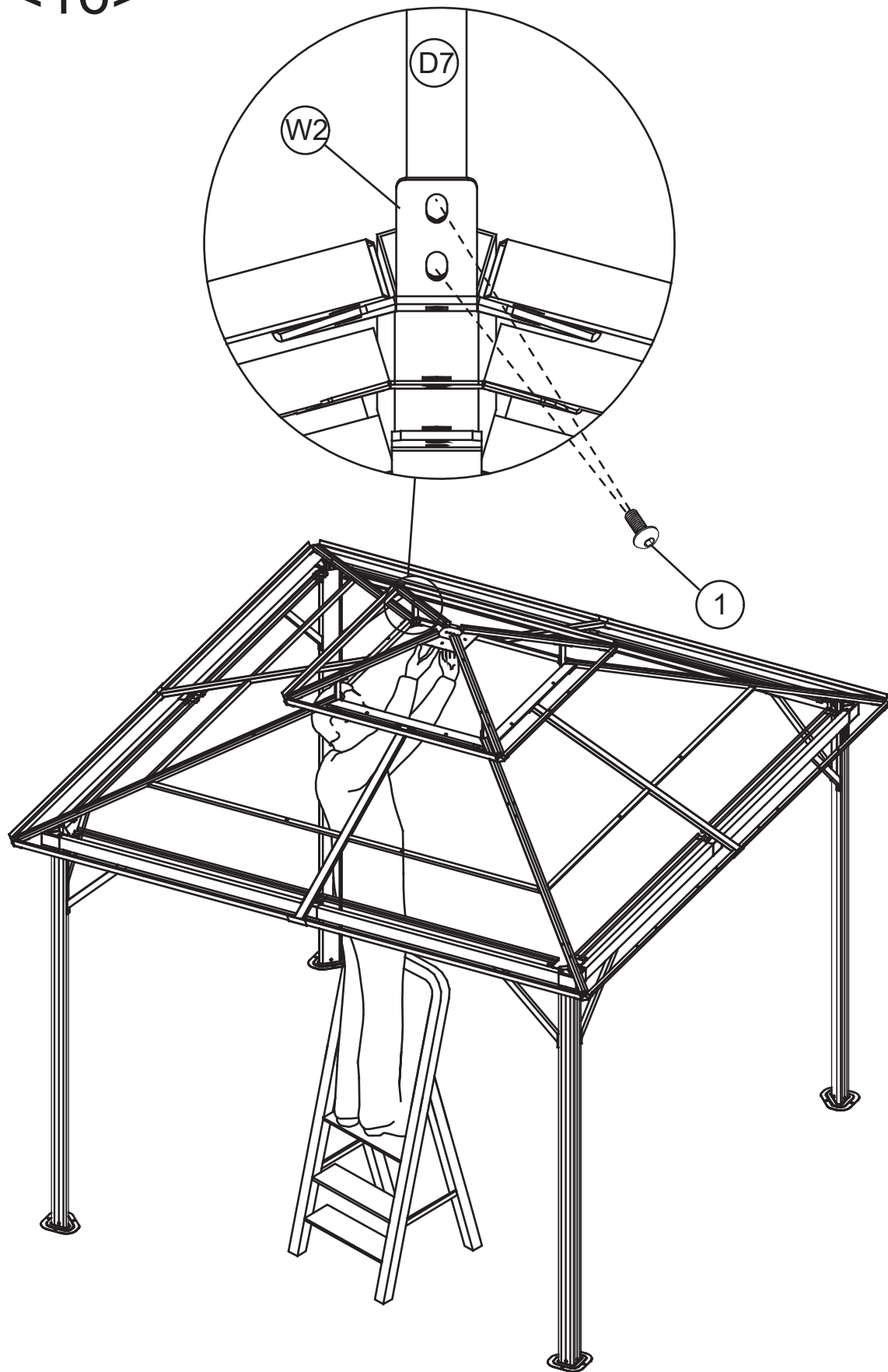




M6x15

1 8x

<16>



1. Have one person stand on the ladder to lift and hold L3 in place, while the other secure it by fastening the D7 screws.
2. Do not release L3 until all D7 screws are fully tightened.

<17>

Tips: When install the roof panel ,remove the protective film first.

(S1) 4x

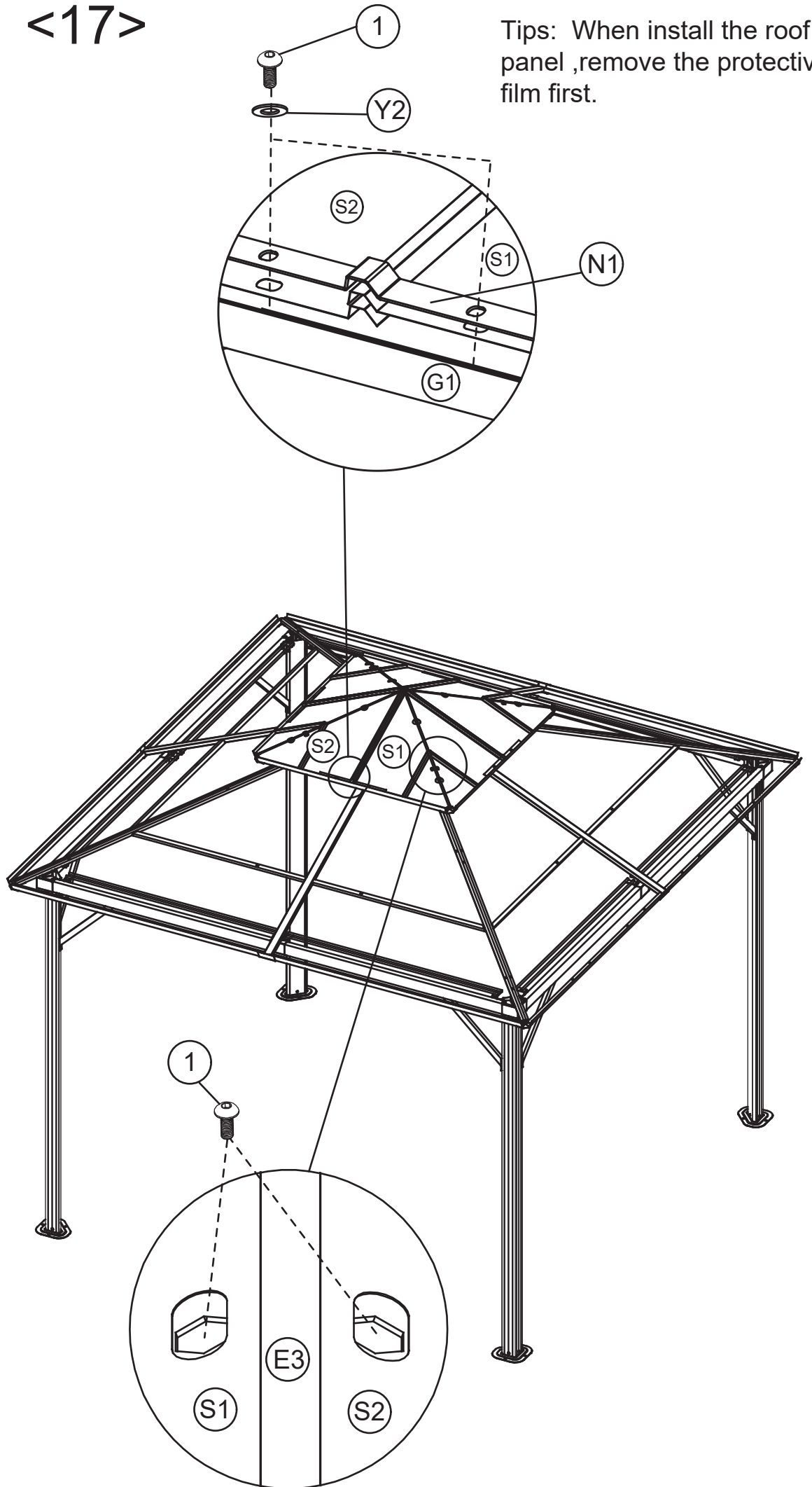
(S2) 4x

(N1) 4x

(Y2) 8x

(1) 16x

M6x15



<18>



(R6) 4x

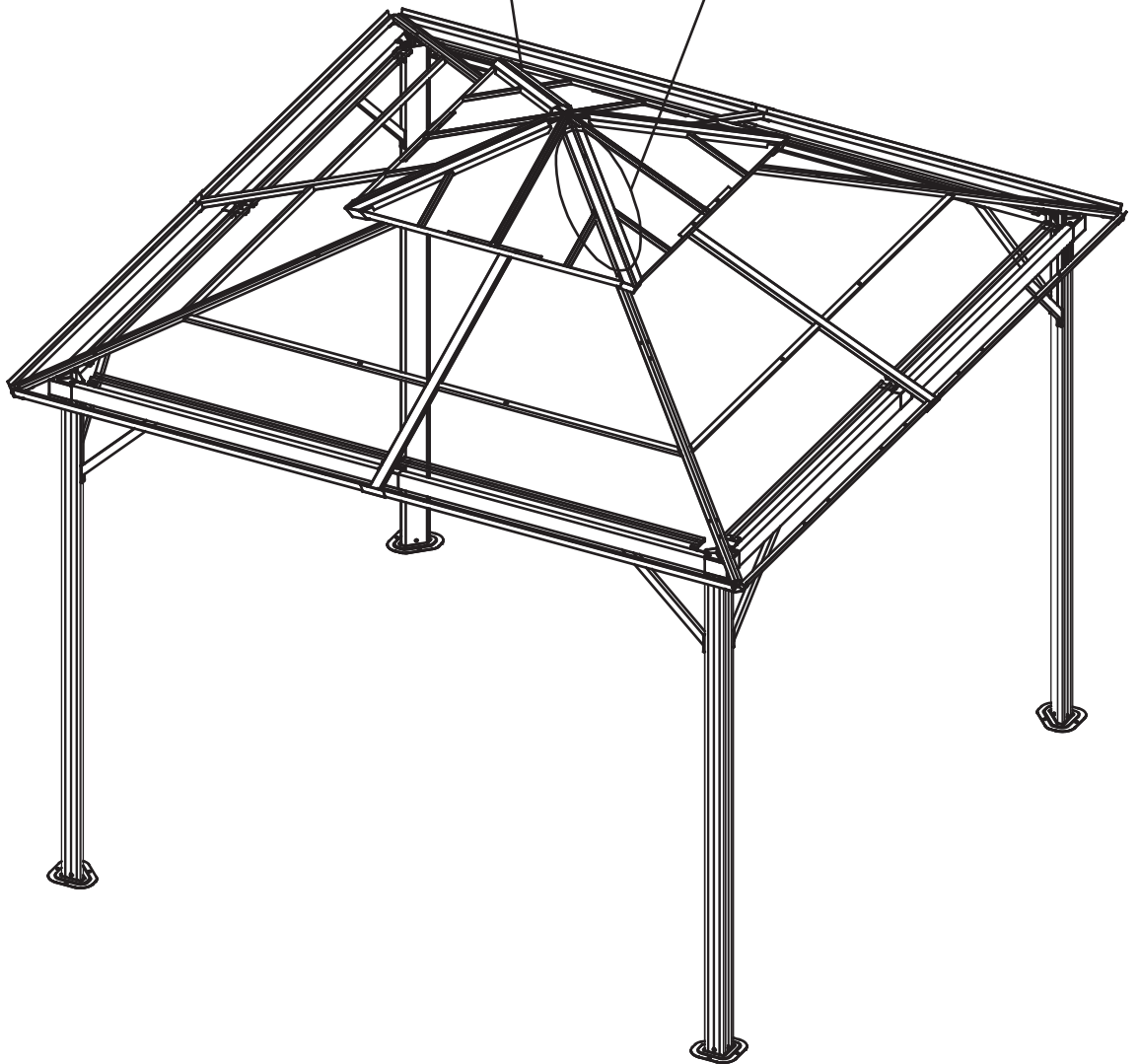
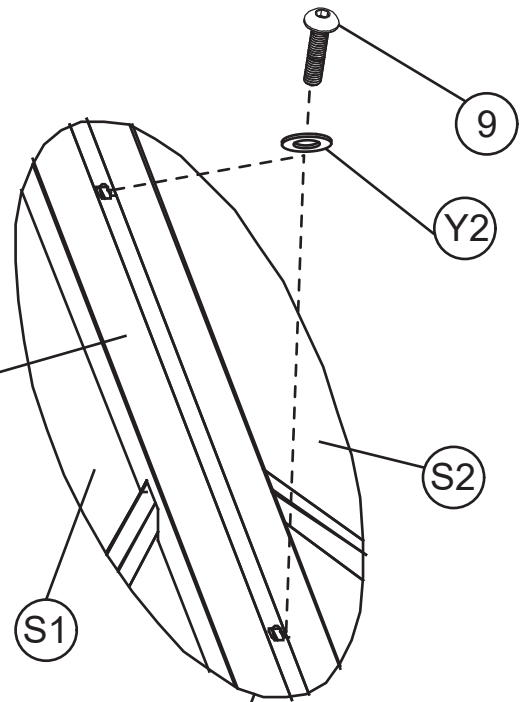


(Y2) 8x

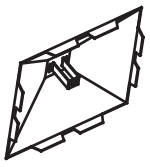


M6x40

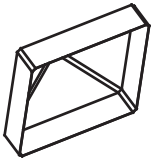
(9) 8x



<19>



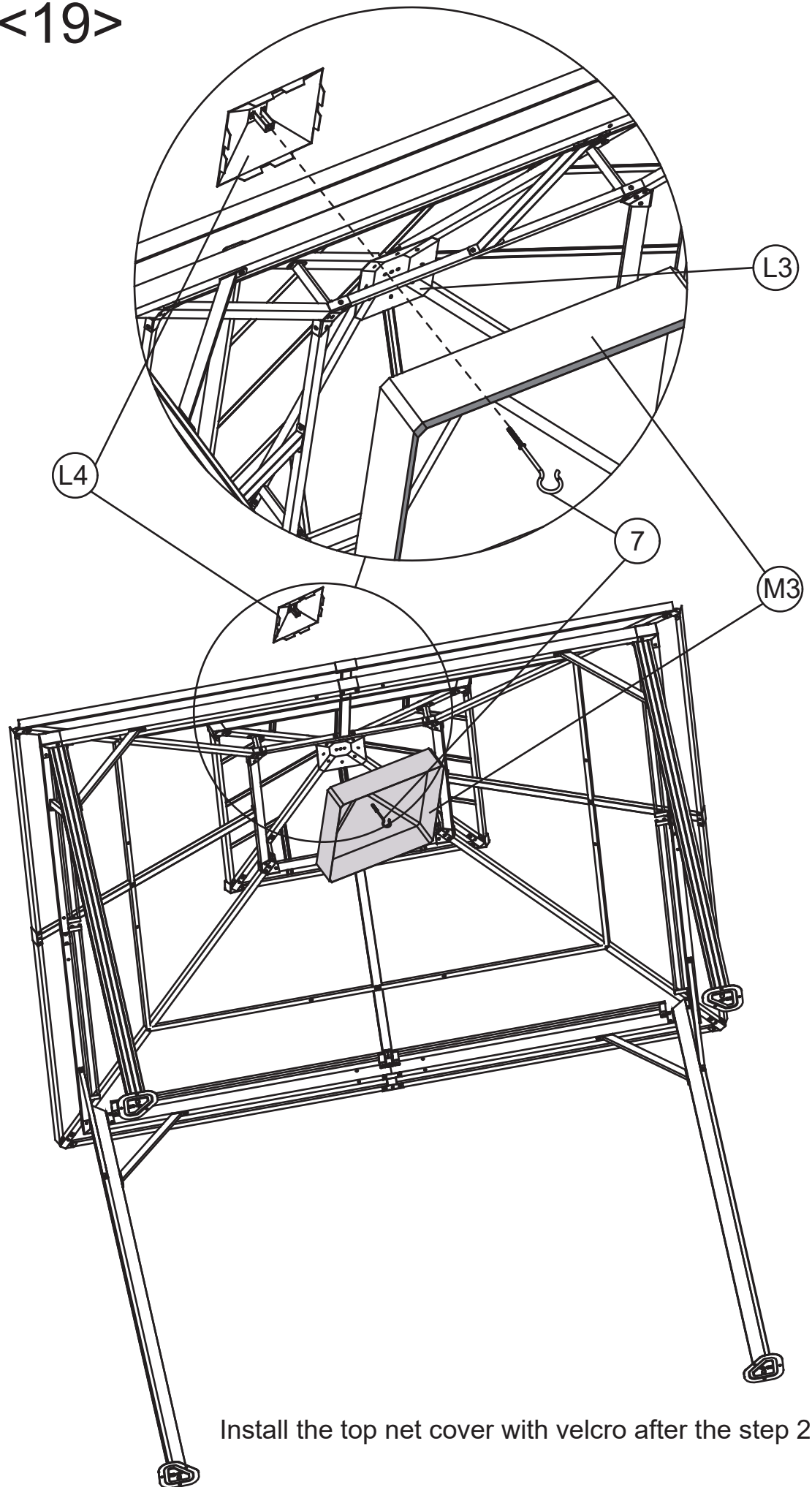
(L4) 1x







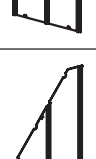
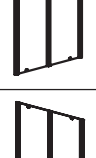





(M3) 1x



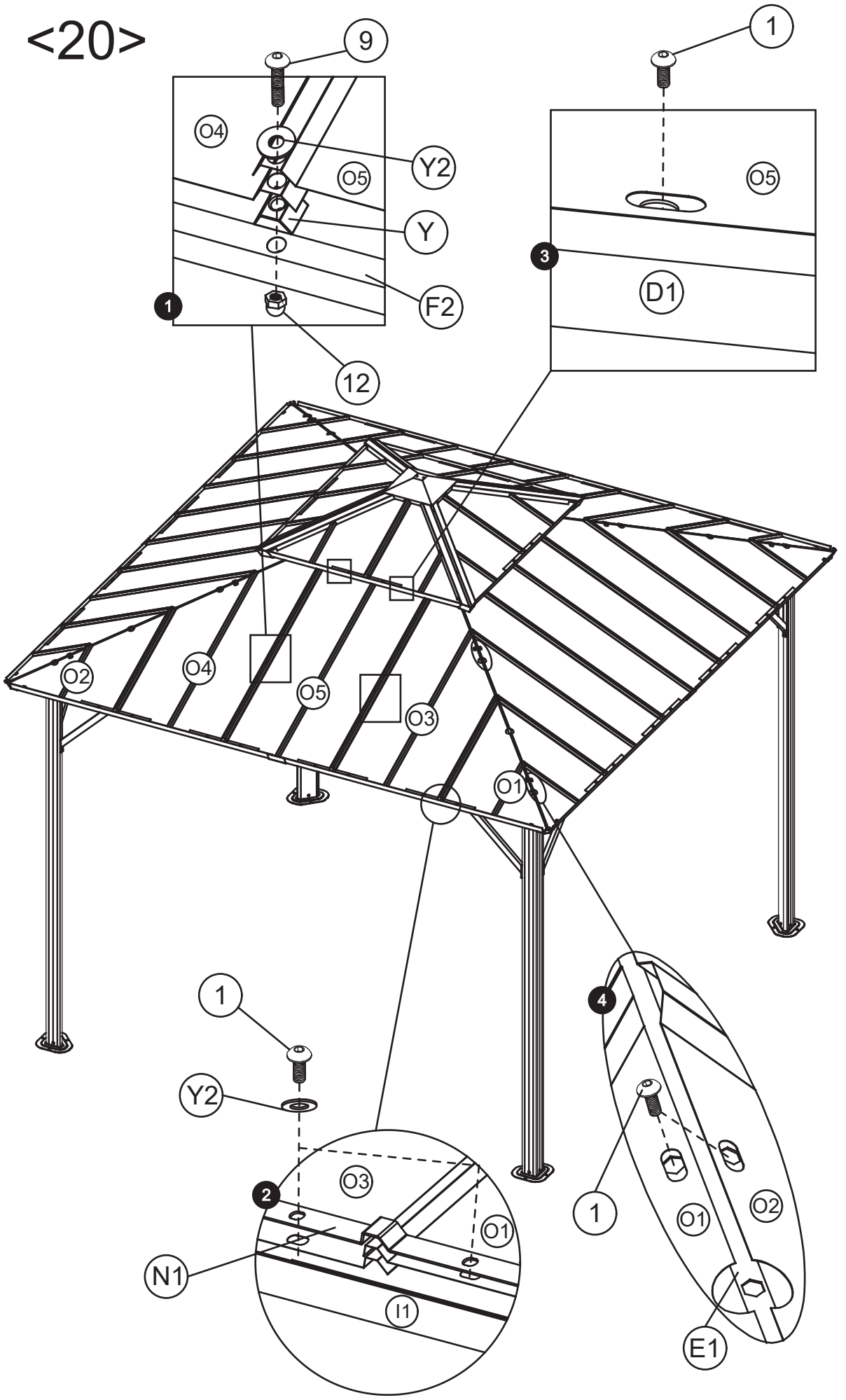
(7) 1x



Install the top net cover with velcro after the step 21.

- 
- (N1)** 16x
- (O1)** 4x 
- (O2)** 4x 
- (O3)** 4x 
- (O4)** 4x 
- (O5)** 4x 
- (Y)** 8x 
- (Y2)** 40x 
- (1)** 56x  M6x15
- (9)** 8x  M6x40
- (12)** 8x 

<20>



- Tips:
1. When install the roof panel ,remove the protective film first.
  2. After aligning all tiles(O1.O2.O3.O4.O5),tighten the bolts

<21>



(R1) 4x

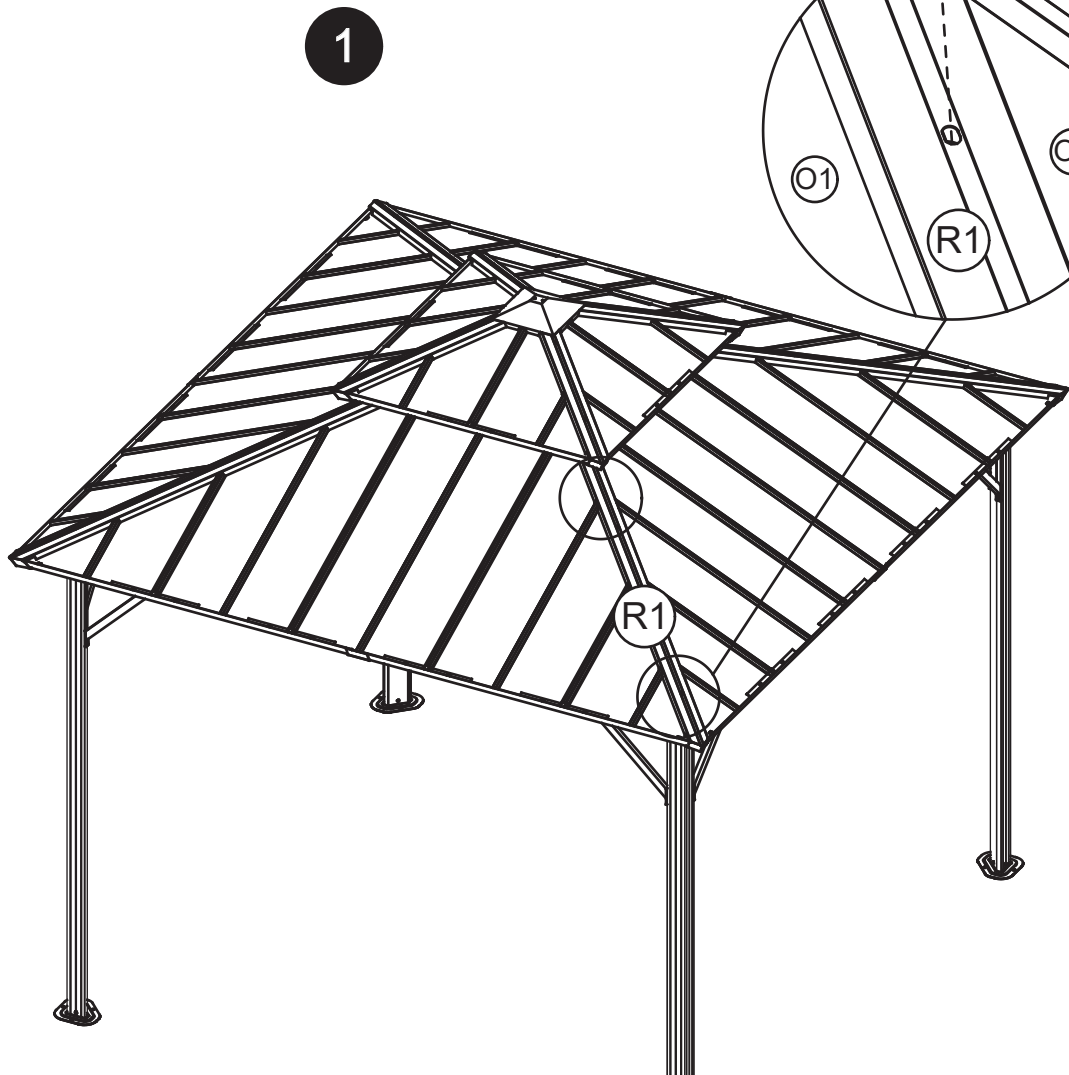


(Y2) 8x

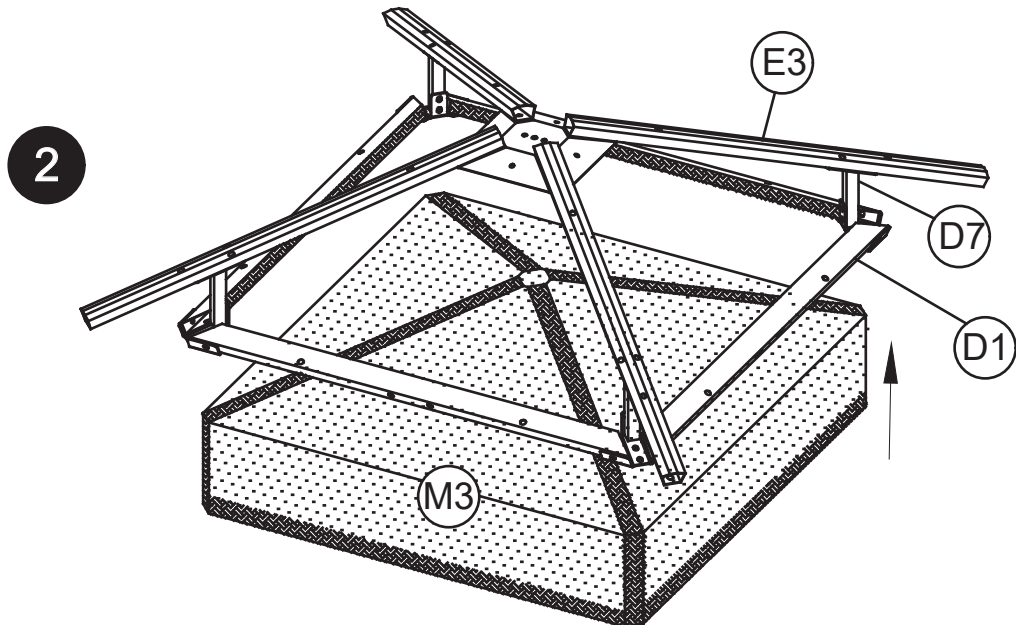


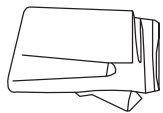
M6x40

(9) 8x



Attach the top net cover with velcro.



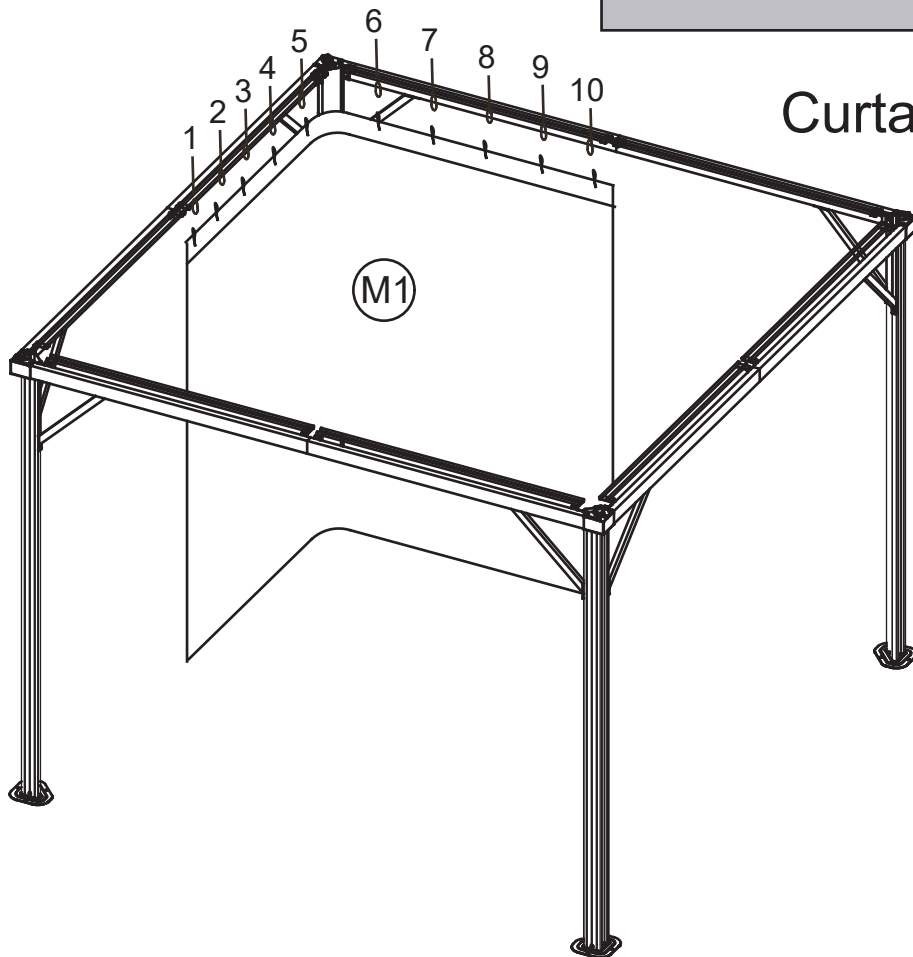
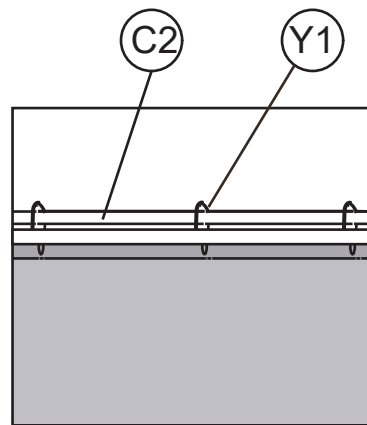
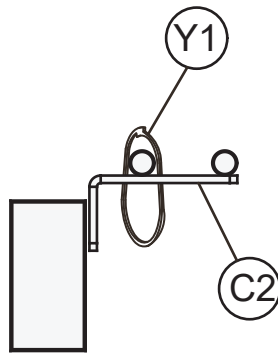
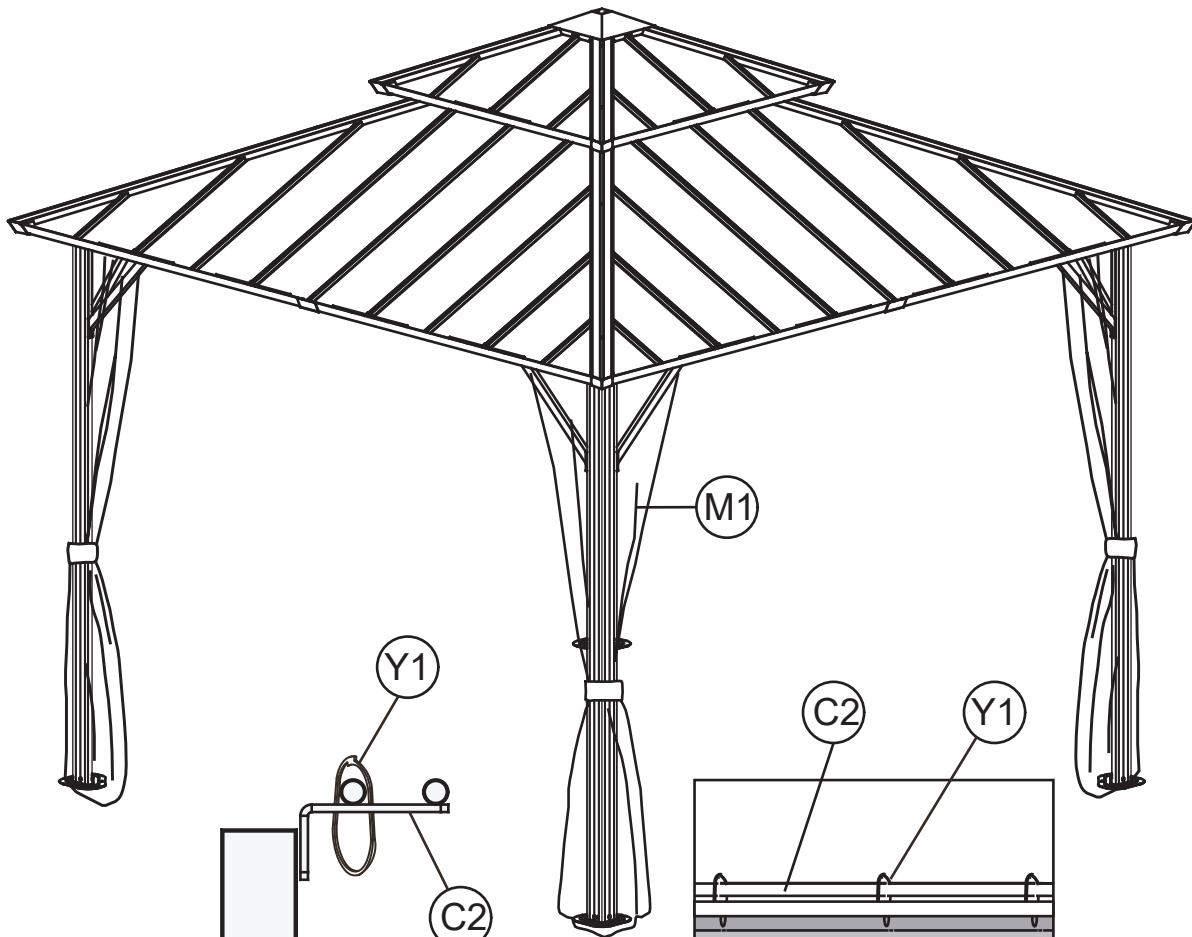


(M1) 4x

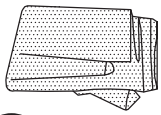


(Y1) 40x

<22>



Curtain

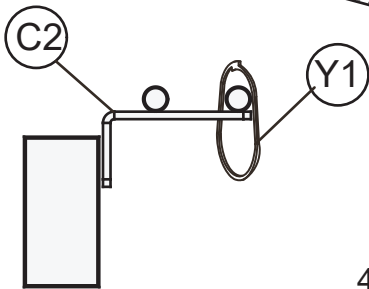
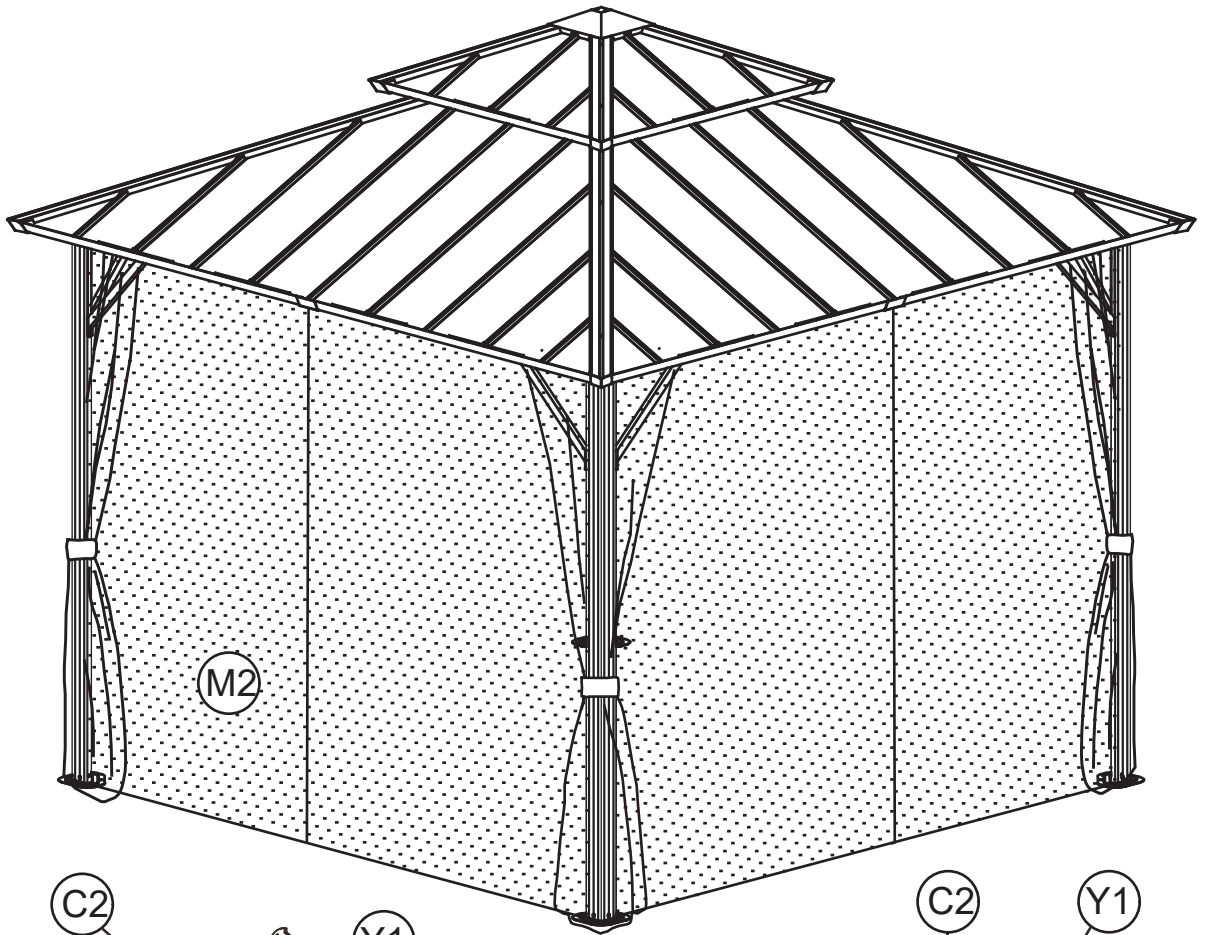


M2 4x



Y1 40x

<23>



Net

